



FIRESTOP CAVITY BARRIERS CFS- VB/NVB

Technical Drawings

Version 1.2
April 2025

CONTENT

General information

CFS-VB & NVB technical datasheets	1
-----------------------------------	---

Standard Details

Fixation details	8
Typical Applications	
CFS-VB horizontal installation with brackets	9
CFS-VB horizontal installation with screw fixation	10
CFS-NVB vertical installation with brackets	11
CFS-NVB vertical installation with screw fixation	12
CFS-NVB horizontal installation	13
CFS-VB inside corner	14
CFS-VB outside corner	15
CFS-VB-NVB intersection	16
Installation on SFS	
CFS-VB horizontal installation on SFS (frame)	17
CFS-VB horizontal installation on SFS (board)	18
CFS-VB horizontal installation on SFS with screw fixation (frame)	19
CFS-NVB vertical installation on SFS (frame)	20
CFS-NVB vertical installation on SFS (board)	21
Intersections with façade profiles	
CFS-VB intersected by façade rail (MFT-L)	22
CFS-VB intersected by façade rail (MFT-T)	23
CFS-VB intersected by façade profile (MFT-O)	24
CFS-VB intersected by façade profile (MFT-S2S TT)	25
Cassette panels	
CFS-VB in cassette panel with horizontal infill	26
CFS-VB in cassette panel with vertical infills	27
CFS-VB notched around cassette panel with vertical infills	28
CFS-NVB notched around cassette panel	29
Other applications	
CFS-NVB intersected by insulated metal pipe	30
CFS-NVB intersecting masonry bracket	31
CFS-VB-NVB installation around window	32
CFS-VB-NVB boxing a balcony bracket	34

Appendix

CFS-VB & NVB operating instructions	37
-------------------------------------	----

FIRESTOP CAVITY BARRIER CFS-VB E60 25mm



Applications

- Sealing building envelope cavities to better prevent the spread of fire via the façade
- Firestopping ventilated rainscreen cladding while leaving an air gap of up to 25mm
- Verified fire resistance for 60 minutes integrity and 30 minutes insulation according to ASFP TGD19

Advantages

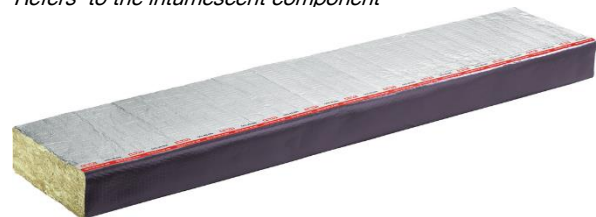
- Faster installations – new push-to-fit bracket system eliminates bending, cutting, and trimming, so you can install up to 40% faster than standard brackets
- Reduced rework – strengthened brackets help prevent barrier sagging for fewer adjustments
- Extensive test evidence – tested and approved for a wide variety of specialty applications
- Full system solution – pair with Hilti façade substructures and anchors for an all-in-one solution for non-ventilated façades
- Direct fastening tested – combine with our range of direct fastening solutions for even faster installations

Technical data

Standards	ASFP TGD-19, EN 13501-1
Base materials	Concrete, Masonry, SFS
Length	1200 mm
Thickness	80 mm
Mineral wool density	80 kg/m ³
Void range	50-400 mm
E/I (ASFP TGD-19)	60/30
Reaction to fire (EN 13501-1) A1*	
Durability (EOTA TR024)	Type X**
Mold and Mildew Performance	Class 0 (ASTM G21, ISO 846 Method A)
Thermal Conductivity	$\lambda = 0.039 \text{ W/(mK)}^*$
Shelf life	No restrictions
Storage and transport temperature	-20 °C to 60 °C

*Refers to the mineral wool component

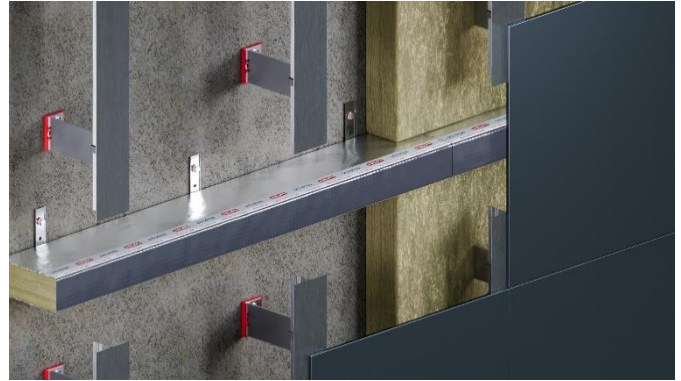
**Refers to the intumescent component



Product options

Product Name	Void Width	Sales Pack Quantity	Item Number
Cavity barrier CFS-VB E60 75+25	100	25 pc	2395732
Cavity barrier CFS-VB E60 125+25	150	15 pc	2395733
Cavity barrier CFS-VB E60 175+25	200	10 pc	2395734
Cavity barrier CFS-VB E60 225+25	250	5 pc	2395735
Cavity barrier CFS-VB E60 275+25	300	5 pc	2395736
Cavity barrier CFS-VB E60 325+25	350	5 pc	2395737
Cavity barrier CFS-VB E60 375+25	400	5 pc	2395738

FIRESTOP CAVITY BARRIER CFS-VB E60 50mm



Applications

- Sealing building envelope cavities to better prevent the spread of fire via the façade
- Firestopping ventilated rainscreen cladding while leaving air gaps up to 50 mm for greater installation tolerance
- Verified fire resistance for 60 minutes integrity and 30 minutes insulation according to ASFP TGD19

Advantages

- Faster installations – new push-to-fit bracket system eliminates bending, cutting, and trimming, so you can install up to 40% faster than standard brackets
- Reduced rework – strengthened brackets help prevent barrier sagging for fewer adjustments
- Extensive test evidence – tested and approved for a wide variety of specialty applications
- Full system solution – pair with Hilti façade substructures and anchors for an all-in-one solution for non-ventilated façades
- Direct fastening tested – combine with our range of direct fastening solutions for even faster installations

Technical data

Standards	ASFP TGD-19, EN 13501-1
Base materials	Concrete, Masonry, SFS
Length	1200 mm
Thickness	80 mm
Mineral wool density	80 kg/m ³
Void range	75-400 mm
E/I (ASFP TGD-19)	60/30
Reaction to fire (EN 13501-1) A1*	
Durability (EOTA TR024)	Type X**
Mold and Mildew Performance	Class 0 (ASTM G21, ISO 846 Method A)
Thermal Conductivity	$\lambda = 0.039 \text{ W/(mK)}^*$
Shelf life	No restrictions
Storage and transport temperature	-20 °C to 60 °C

*Refers to the mineral wool component

**Refers to the intumescent component



Product options

Product Name	Void Width	Sales Pack Quantity	Item Number
Cavity barrier CFS-VB E60 50+50	100	20 pc	2395739
Cavity barrier CFS-VB E60 75+50	125	10 pc	2395750
Cavity barrier CFS-VB E60 100+50	150	10 pc	2395751
Cavity barrier CFS-VB E60 125+50	175	15 pc	2395752
Cavity barrier CFS-VB E60 150+50	200	5 pc	2395753
Cavity barrier CFS-VB E60 175+50	225	10 pc	2395754
Cavity barrier CFS-VB E60 200+50	250	10 pc	2395755
Cavity barrier CFS-VB E60 225+50	275	5 pc	2395756

Cavity barrier CFS-VB E60 250+50	300	5 pc	2395757
Cavity barrier CFS-VB E60 300+50	350	5 pc	2395758
Cavity barrier CFS-VB E60 350+50	400	5 pc	2395759

FIRESTOP CAVITY BARRIER CFS-VB E120 25mm



Applications

- Sealing building envelope cavities to better prevent the spread of fire via the façade
- Firestopping ventilated rainscreen cladding while leaving an air gap of up to 25mm
- Verified fire resistance for 120 minutes integrity and 30 minutes insulation according to ASFP TGD19

Advantages

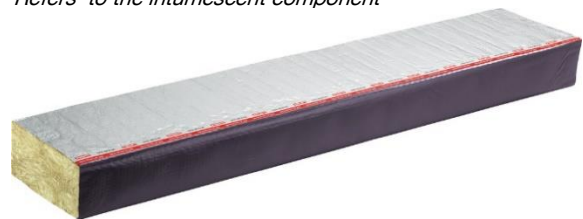
- Faster installations – new push-to-fit bracket system eliminates bending, cutting, and trimming, so you can install up to 40% faster than standard brackets
- Reduced rework – strengthened brackets help prevent barrier sagging for fewer adjustments
- Extensive test evidence – tested and approved for a wide variety of specialty applications
- Full system solution – pair with Hilti façade substructures and anchors for an all-in-one solution for non-ventilated façades
- Direct fastening tested – combine with our range of direct fastening solutions for even faster installations

Technical data

Standards	ASFP TGD-19, EN 13501-1
Base materials	Concrete, Masonry, SFS
Length	1200 mm
Thickness	100 mm
Mineral wool density	90 kg/m ³
Void range	50-400 mm
E/I (ASFP TGD-19)	120/30
Reaction to fire (EN 13501-1) A1*	
Durability (EOTA TR024)	Type X**
Mold and Mildew Performance	Class 0 (ASTM G21, ISO 846 Method A)
Thermal Conductivity	$\lambda = 0.039 \text{ W/(mK)}^*$
Shelf life	No restrictions
Storage and transport temperature	-20 °C to 60 °C

*Refers to the mineral wool component

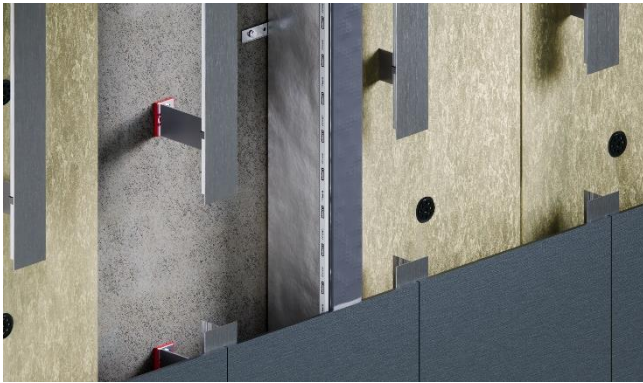
**Refers to the intumescent component



Product options

Product Name	Void Width	Sales Pack Quantity	Item Number
Cavity barrier CFS-VB E120 75+25	100	20 pc	2395760
Cavity barrier CFS-VB E120 125+25	150	12 pc	2395761
Cavity barrier CFS-VB E120 175+25	200	8 pc	2395762
Cavity barrier CFS-VB E120 225+25	250	4 pc	2395763
Cavity barrier CFS-VB E120 275+25	300	4 pc	2395764
Cavity barrier CFS-VB E120 325+25	350	4 pc	2395765
Cavity barrier CFS-VB E120 375+25	400	4 pc	2395766

FIRESTOP CAVITY BARRIER CFS-NVB E120



Applications

- Sealing building envelope cavities to better prevent the spread of fire via the façade
- Firestopping ventilated rainscreen cladding vertically
- Firestopping non-ventilated rainscreen cladding vertically and horizontally
- Verified fire resistance for 120 minutes integrity and 30 minutes insulation according to European Standard (EN) 1366-4

Advantages

- Faster installations – new push-to-fit bracket system eliminates bending, cutting, and trimming, so you can install more barriers per day than previous solutions
- Reduced rework – strengthened brackets help prevent barrier sagging for fewer adjustments
- Extensive test evidence – tested and approved for a wide variety of specialty applications
- Full system solution – pair with Hilti façade substructures and anchors for an all-in-one solution for non-ventilated façades
- Direct fastening tested – combine with our range of direct fastening solutions for even faster installations

Technical data

Standards	EN 1366-4, EN 13501-1
Base materials	Concrete, Masonry, Brick, SFS
Length	1200 mm
Thickness	100 mm
Mineral wool density	70 kg/m ³
Void range	0-400 mm
E/I (EN 1366-4)	120/ 30
Reaction to fire (EN 13501-1) A1	
Mold and Mildew Performance	Class 0 (ASTM G21, ISO 846 Method A)
Thermal Conductivity	$\lambda = 0.035 \text{ W/(mK)}^*$
Shelf life	No restrictions
Storage and transport temperature	-20 °C to 60 °C

*Refers to the mineral wool component



Product options

Product Name	Void Width	Sales Pack Quantity	Item Number
Cavity barrier CFS-NVB E120 100	100	8	2395767
Cavity barrier CFS-NVB E120 150	150	4	2395768
Cavity barrier CFS-NVB E120 200	200	32	2395769
Cavity barrier CFS-NVB E120 250	250	24	2395770
Cavity barrier CFS-NVB E120 300	300	16	2395771
Cavity barrier CFS-NVB E120 350	350	16	2395772
Cavity barrier CFS-NVB E120 400	400	16	2395773

FIRESTOP CAVITY BARRIER CFS-NVB E120 FB

Applications

- Sealing building envelope cavities to better prevent the spread of fire via the façade
- Firestopping ventilated rainscreen cladding vertically
- Firestopping non-ventilated rainscreen cladding vertically and horizontally
- Verified fire resistance for 120 minutes integrity and 30 minutes insulation according to European Standard (EN) 1366-4

Advantages

- One-size-fits-all – full board solution allows you to cut barriers to the size you need, helping avoid material waste
- Faster installations – new push-to-fit bracket system eliminates bending, cutting, and trimming, so you can install more barriers per day than previous solutions
- Reduced rework – strengthened brackets help prevent barrier sagging for fewer adjustments
- Extensive test evidence – tested and approved for a wide variety of specialty applications
- Full system solution – pair with Hilti façade substructures and anchors for an all-in-one solution for non-ventilated façades

Technical data

Standards	EN 1366-4, EN 13501-1
Base materials	Concrete, Masonry, Brick, SFS
Length	1200 mm
Thickness	100 mm
Mineral wool density	70 kg/m ³
Void range	0-400 mm
E/I (EN 1366-4)	120/30
Reaction to fire (EN 13501-1) A1	
Mold and Mildew Performance	Class 0 (ASTM G21, ISO 846 Method A)
Thermal Conductivity	$\lambda = 0.035 \text{ W/(mK)}^*$
Shelf life	No restrictions
Storage and transport temperature	-20 °C to 60 °C

*Refers to the mineral wool component



Product options

Product Name	Sales Pack Quantity	Item Number
Cavity barrier CFS-NVB E120 FB	20 pc	2395774

CAVITY BARRIER BRACKETS CFS-VB/NVB

Product options





Product Name	Sales Pack Quantity	Item Number	
Bracket CFS-VB/NVB S Stainless Steel	60 pc	2420816	
Bracket CFS-VB/NVB M Stainless Steel	60 pc	2420932	
Bracket CFS-VB/NVB L Stainless Steel	60 pc	2420933	
Bracket CFS-VB/NVB S Galv. Steel	60 pc	2420826	
Bracket CFS-VB/NVB M Galv. Steel	60 pc	2420844	
Bracket CFS-VB/NVB L Galv. Steel	60 pc	2420934	

STANDARD DETAILS

FIXATION DETAILS

Type of fixation

The correct type of fixation is to be chosen according to the barrier width, as per the table below.

Barrier \ Fixation	Screw Fixation	S Bracket	M Bracket	L Bracket
CFS-VB E60/E120 25mm	≤130 mm	131-190 mm	191-300 mm	301-375 mm
CFS-VB E60 50mm	≤130 mm	131-190 mm	191-300 mm	301-350 mm
CFS-NVB E120	≤130 mm	131-200 mm	201-310 mm	311-410 mm
				

Number of fixings

Barrier \ Length	≤ 250 mm	251-600 mm	601-1200 mm	Brackets Centres
Ventilated	1	2	3	≤ 470mm
Non-ventilated	1	2	2	≤ 940mm

Suggested fasteners

Substrate	Bracket fasteners*	Screw fasteners**
Concrete	Screw anchor HUS 4-HR 6	Screw anchor HUS6
Masonry	Screw anchor HUS 4-HR 6	Screw anchor HUS6
SFS (frame)	Self-drill screw S-MD03S 5,5	Sandwich panel screw S-CD63S 5,5
SFS (sheathing board)	Hollow wall met. anchor HTB-2 M6 Cavity anchor HHD-S M6	

*Only one fastener per bracket is required. If needed, bracket holes can be enlarged on site to accommodate fasteners with a bigger diameter.

**For fixation of the barrier directly into the substrate.


Additionally, cavity barriers brackets have been tested with direct fastening solutions. Please, refer to the table below.

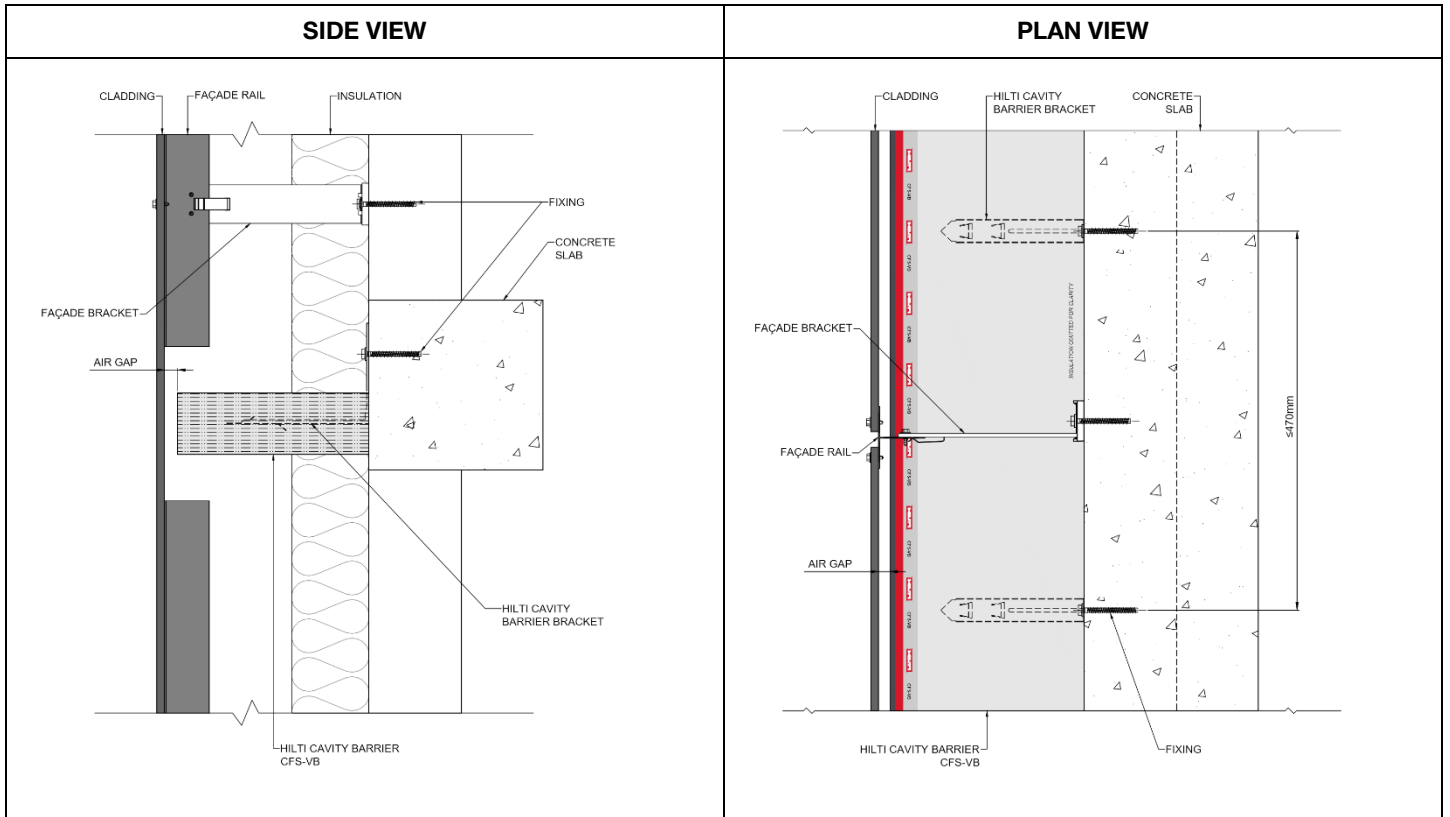
Tool	Fastener Guide	Piston	Nail (1 per bracket)
DX 6-F8	X-6-F8	X-6-5-P8	Hilti Universal Nail X-CR 21 P8
DX 5-F8	X-5-460-F8	X-6-5-P8	Hilti Universal Nail X-CR 21 P8
DX 460	X-5-460-F8	X-6-5-P8	Hilti Universal Nail X-CR 21 P8

The nail should be shot in between the two holes, in the centre of the bracket.



Always refer to the relevant fastener technical manual and operating instructions for more detailed information.

	Product Hilti CFS-VB Cavity Barrier	ID CFS-VB/NVB 01.v1
Information - Not to scale - All units are in millimetres - Products tested according ASFP TGD-19	Application CFS-VB horizontal installation with brackets	Revision 01 Page 1/1



Construction details:

- Cavity barriers are suitable for masonry, concrete, SFS (fixed on frame or board).
- Barriers brackets are to be suitably fixed to the substrate with non-combustible fixings.
- Cavity barriers have been tested both with mineral wool insulation above and below them and without any insulation.

Brackets

Barrier Length (mm)	≤ 250	251-600	601-1200
Number of Brackets	1	2	3

Brackets centres: ≤ 470mm


Product fire performance

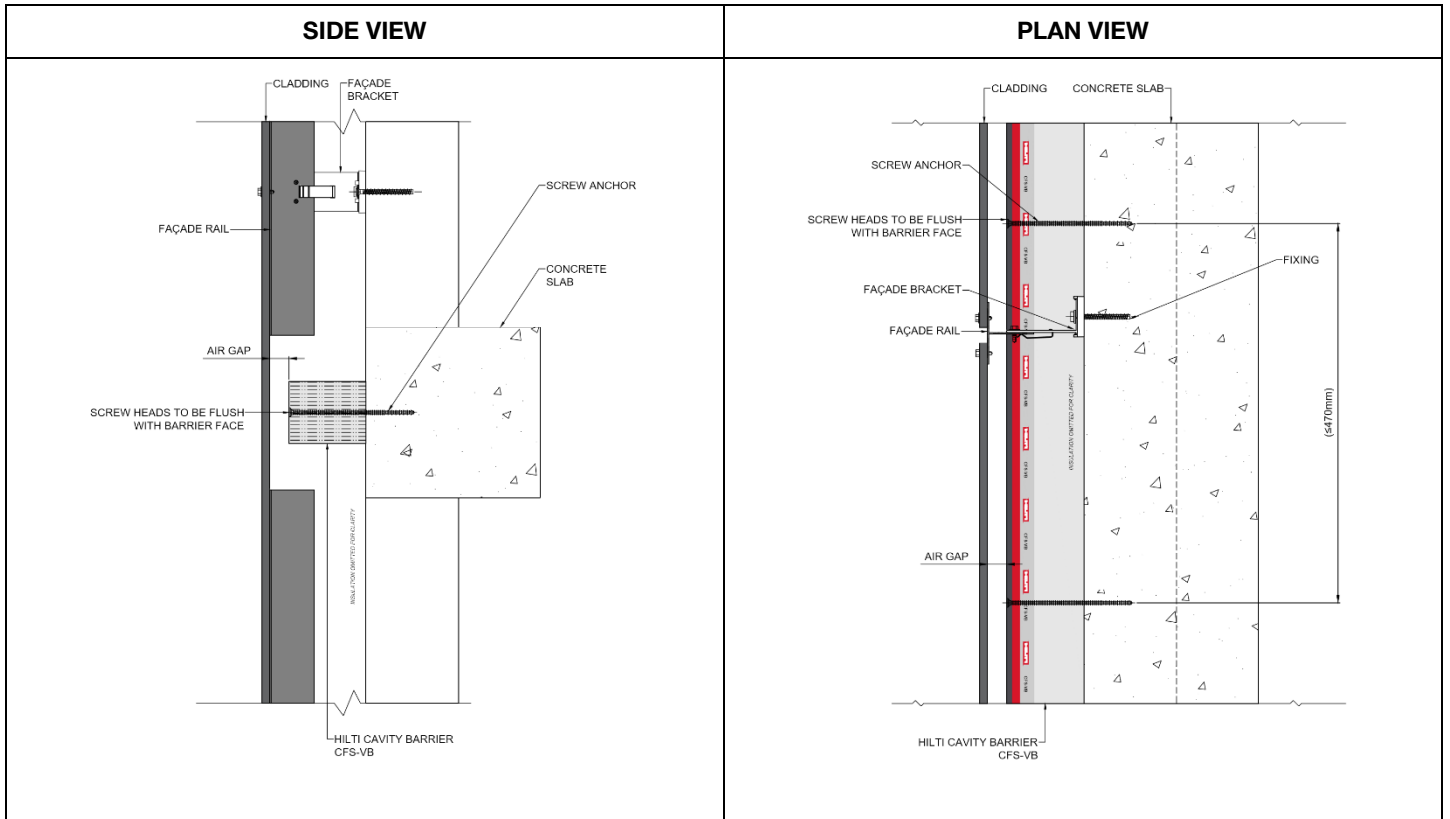
Product	Max Air Gap (mm)	Void Range (mm)	Integrity Rating (min)	Insulation Rating (min)
CFS-VB E60 25mm	25	156-400	60	30
CFS-VB E60 50mm	50	181-400	60	30
CFS-VB E120 25mm	25	156-400	120	30

1. The application limits on this detail are for guidance purposes only. For more detailed information based on the full range of available test results please contact the Hilti Technical Advisory Service.
2. All installations should be carried out in accordance with Hilti's installation instructions and by competent & experienced installers using Hilti branded products.
3. All services are to be correctly and adequately supported to prevent collapse and distortion.

Hilti (Gt. Britain) Limited | No 1, Circle Square | 3 Symphony Park | Manchester | M1 7FS Freephone: 0800 886 100 | Website: www.hilti.co.uk

LEGAL NOTICE: This template contains Hilti Intellectual Property, which is legally protected, including Community registration of Hilti trademarks. For use only by Hilti customers and in conjunction with Hilti products. No third-party use/products is authorised and breaches Hilti's intellectual property rights. Hilti accepts no responsibility for unauthorized use and reserves all rights to take legal action to enforce its rights in law.

	Product Hilti CFS-VB Cavity Barrier	ID CFS-VB/NVB 02.v1
Information - Not to scale - All units are in millimetres - Products tested according ASFP TGD-19	Application CFS-VB horizontal installation with screw fixation in small void	Revision 01 Page 1/1



Construction details:

- Cavity barriers are suitable for masonry, concrete, SFS (fixed on frame or board).
- Barriers brackets are to be suitably fixed to the substrate with non-combustible fixings.
- Max barrier width of 130mm for screw fixation of the barrier directly to the base material.

Brackets

Barrier Length (mm)	≤ 250	251-600	601-1200
Number of Brackets	1	2	3

Brackets centres: ≤ 470mm

Product fire performance


Product	Max Air Gap (mm)	Void Range (mm)	Integrity Rating (min)	Insulation Rating (min)
CFS-VB E60 25mm	25	50-155	60	30
CFS-VB E60 50mm	50	75-180	60	30
CFS-VB E120 25mm	25	50-155	120	30

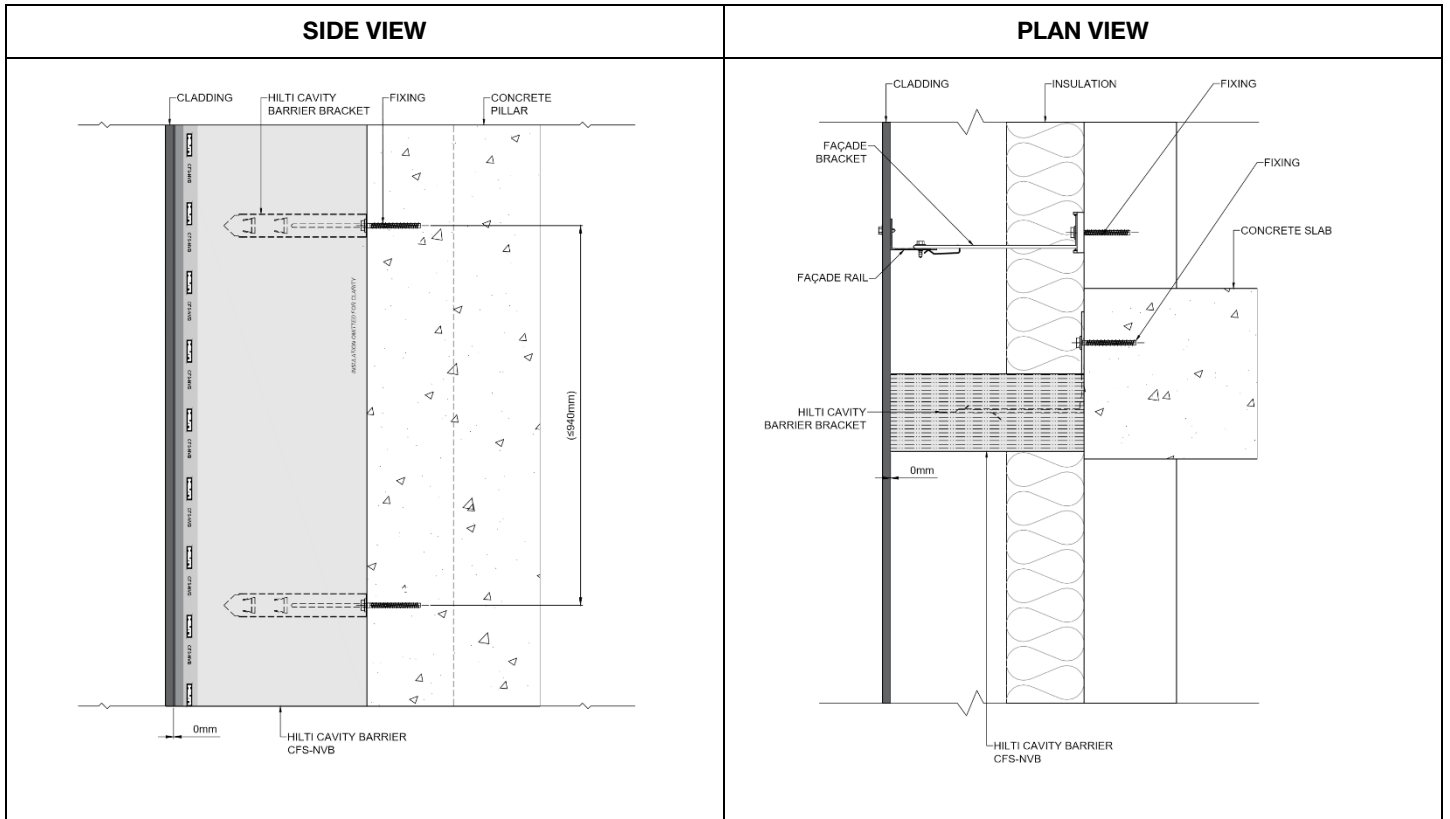
1. The application limits on this detail are for guidance purposes only. For more detailed information based on the full range of available test results please contact the Hilti Technical Advisory Service.
2. All installations should be carried out in accordance with Hilti's installation instructions and by competent & experienced installers using Hilti branded products.
3. All services are to be correctly and adequately supported to prevent collapse and distortion.

Hilti (Gt. Britain) Limited | No 1, Circle Square | 3 Symphony Park | Manchester | M1 7FS

Freephone: 0800 886 100 | Website: www.hilti.co.uk

LEGAL NOTICE: This template contains Hilti Intellectual Property, which is legally protected, including Community registration of Hilti trademarks. For use only by Hilti customers and in conjunction with Hilti products. No third-party use/products is authorised and breaches Hilti's intellectual property rights. Hilti accepts no responsibility for unauthorized use and reserves all rights to take legal action to enforce its rights in law.

	Product Hilti CFS-NVB Cavity Barrier	ID CFS-VB/NVB 03.v1
Information - Not to scale - All units are in millimetres - Products tested according EN 1366-4	Application CFS-NVB vertical installation with brackets	Revision 01 Page 1/1



Construction details:

- Cavity barriers are suitable for masonry, concrete, SFS (fixed on frame or board).
- Barriers brackets are to be suitably fixed to the substrate with non-combustible fixings.

Brackets

Barrier Length (mm)	≤ 250	251-1200
Number of Brackets	1	2

Brackets centres: ≤ 940mm

Product fire performance


Product	Void Range (mm)	Integrity Rating (min)	Insulation Rating (min)
CFS-NVB E120	131-400	120	60 – stainless steel brackets 30 – galvanised steel brackets

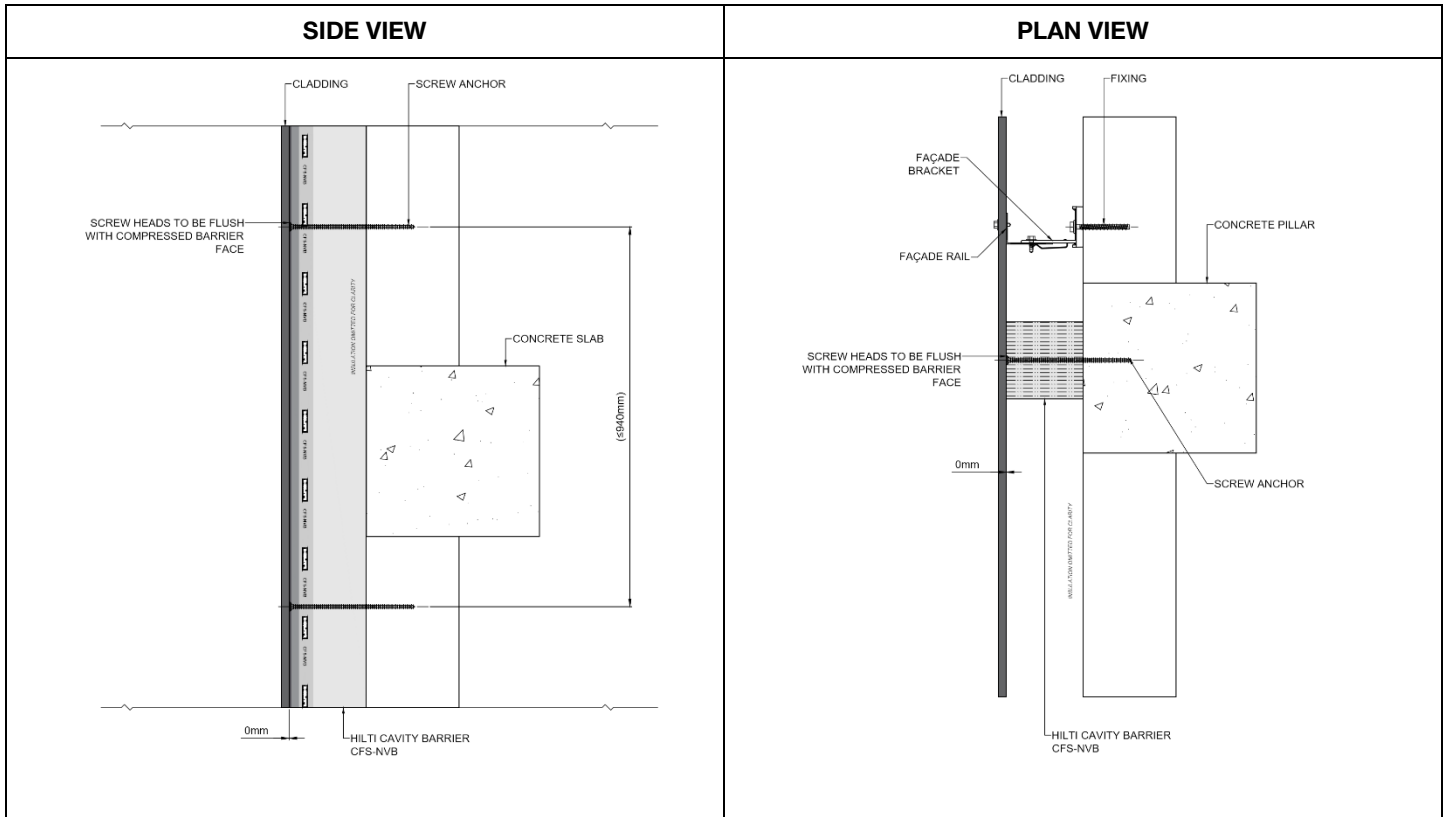
1. The application limits on this detail are for guidance purposes only. For more detailed information based on the full range of available test results please contact the Hilti Technical Advisory Service.
2. All installations should be carried out in accordance with Hilti's installation instructions and by competent & experienced installers using Hilti branded products.
3. All services are to be correctly and adequately supported to prevent collapse and distortion.

Hilti (Gt. Britain) Limited | No 1, Circle Square | 3 Symphony Park | Manchester | M1 7FS

Freephone: 0800 886 100 | Website: www.hilti.co.uk

LEGAL NOTICE: This template contains Hilti Intellectual Property, which is legally protected, including Community registration of Hilti trademarks. For use only by Hilti customers and in conjunction with Hilti products. No third-party use/products is authorised and breaches Hilti's intellectual property rights. Hilti accepts no responsibility for unauthorized use and reserves all rights to take legal action to enforce its rights in law.

	Product Hilti CFS-NVB Cavity Barrier	ID CFS-VB/NVB 04.v1
Information - Not to scale - All units are in millimetres - Products tested according EN 1366-4	Application CFS-NVB vertical installation with screw fixation in small void	Revision 01 Page 1/1



Construction details:

- Cavity barriers are suitable for masonry, concrete, SFS (fixed on frame or board).
- Barriers brackets are to be suitably fixed to the substrate with non-combustible fixings.
- Max barrier width of 130mm for screw fixation of the barrier directly to the base material.

Brackets

Barrier Length (mm)	≤ 250	251-1200
Number of Brackets	1	2

Brackets centres: ≤ 940mm


Product fire performance

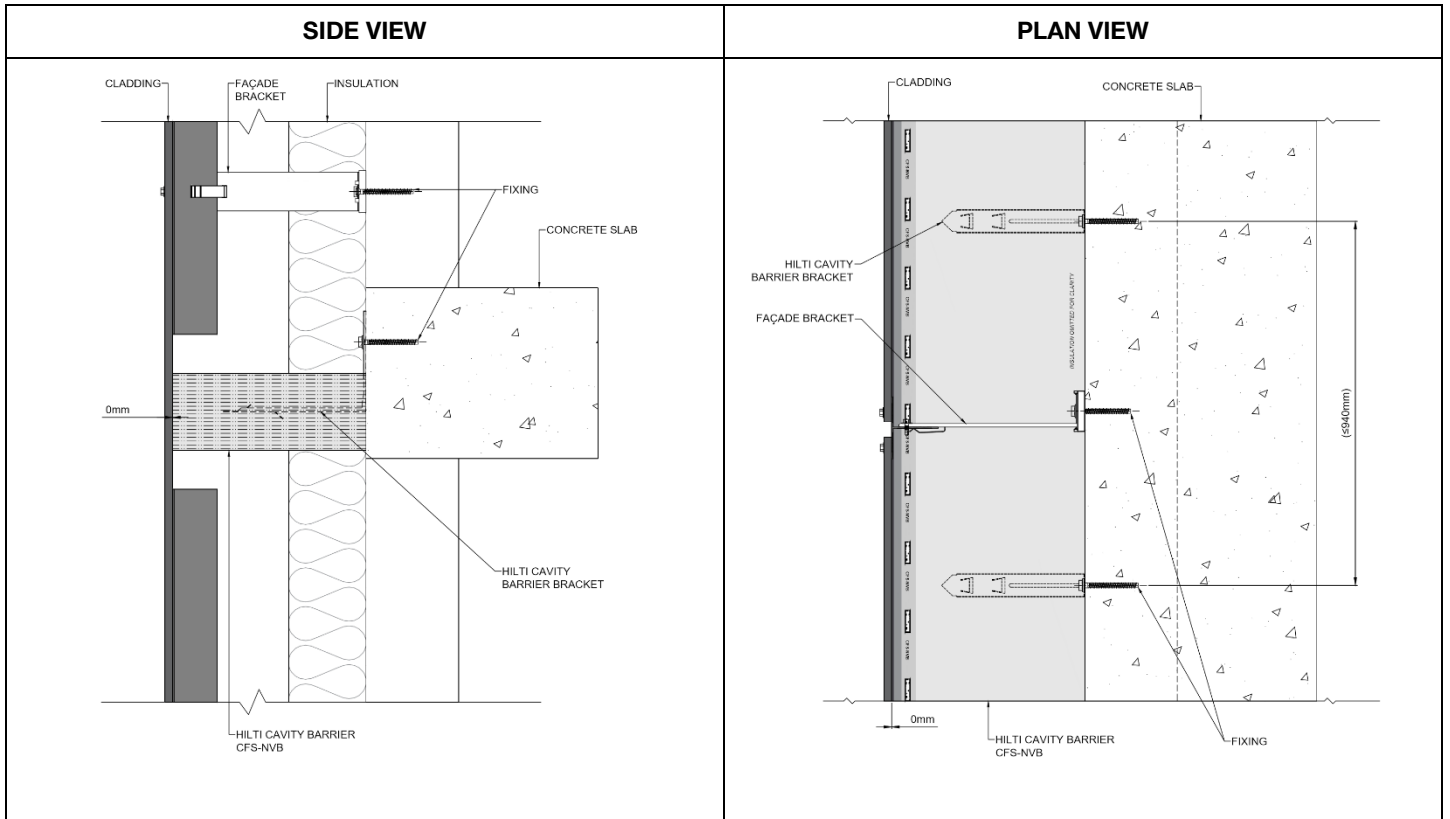
Product	Void Range (mm)	Integrity Rating (min)	Insulation Rating (min)
CFS-NVB E120	0-130	120	60

1. The application limits on this detail are for guidance purposes only. For more detailed information based on the full range of available test results please contact the Hilti Technical Advisory Service.
2. All installations should be carried out in accordance with Hilti's installation instructions and by competent & experienced installers using Hilti branded products.
3. All services are to be correctly and adequately supported to prevent collapse and distortion.

Hilti (Gt. Britain) Limited | No 1, Circle Square | 3 Symphony Park | Manchester | M1 7FS Freephone: 0800 886 100 | Website: www.hilti.co.uk

LEGAL NOTICE: This template contains Hilti Intellectual Property, which is legally protected, including Community registration of Hilti trademarks. For use only by Hilti customers and in conjunction with Hilti products. No third-party use/products is authorised and breaches Hilti's intellectual property rights. Hilti accepts no responsibility for unauthorized use and reserves all rights to take legal action to enforce its rights in law.

	Product Hilti CFS-NVB Cavity Barrier	ID CFS-VB/NVB 05.v1
Information - Not to scale - All units are in millimetres - Products tested according EN 1366-4	Application CFS-NVB horizontal installation	Revision 01
		Page 1/1



Construction details:

- Cavity barriers are suitable for masonry, concrete, SFS (fixed on frame or board).
- Barrier brackets are to be suitably fixed to the substrate with non-combustible fixings.
- Cavity barriers have been tested both with mineral wool insulation above and below them and without any insulation.

Brackets

Barrier Length (mm)	≤ 250	251-1200
Number of Brackets	1	2

Brackets centres: ≤ 940mm


Product fire performance

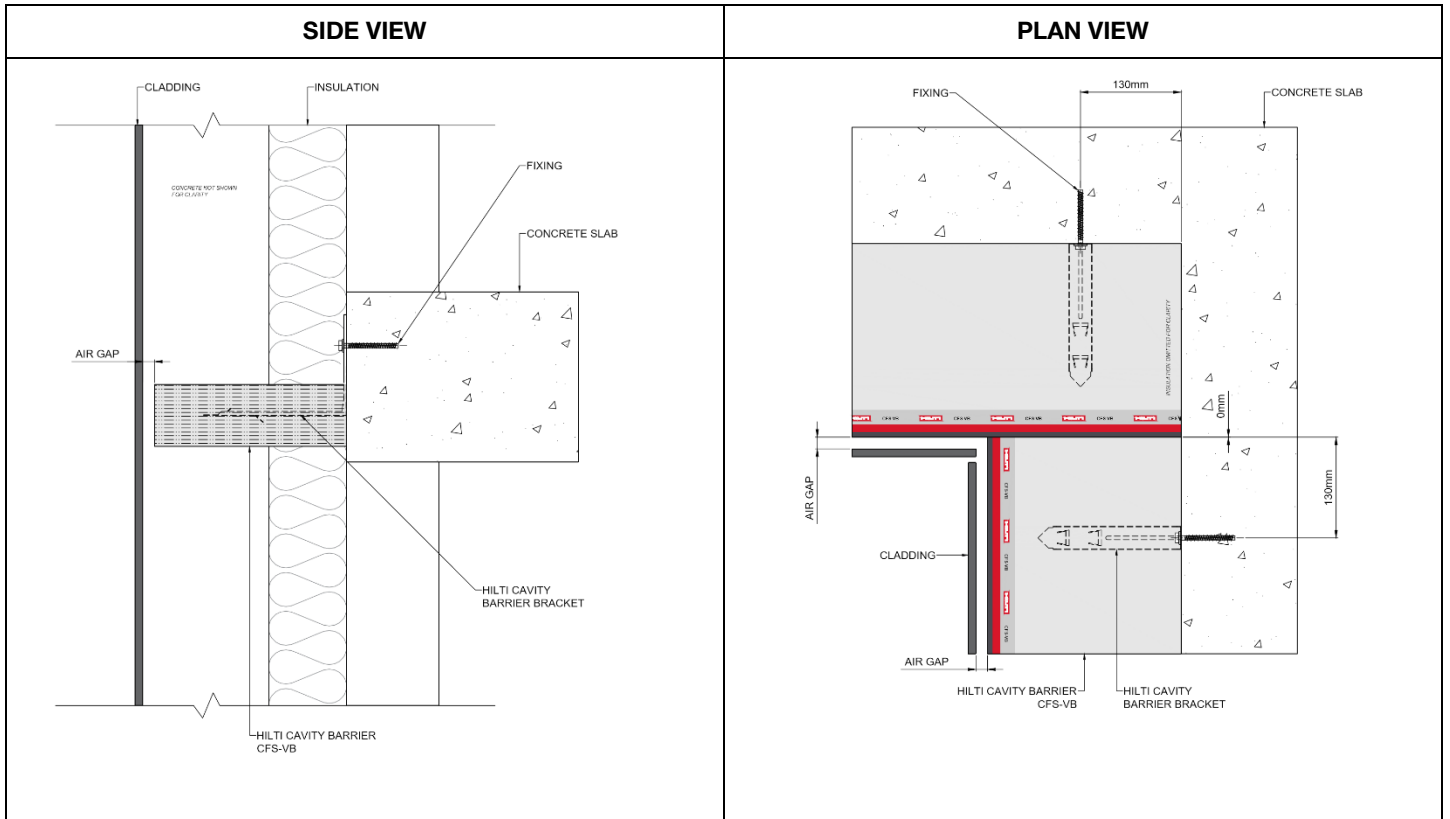
Product	Void Range (mm)	Integrity Rating (min)	Insulation Rating (min)
CFS-NVB E120	0-400	120	45

1. The application limits on this detail are for guidance purposes only. For more detailed information based on the full range of available test results please contact the Hilti Technical Advisory Service.
2. All installations should be carried out in accordance with Hilti's installation instructions and by competent & experienced installers using Hilti branded products.
3. All services are to be correctly and adequately supported to prevent collapse and distortion.

Hilti (Gt. Britain) Limited | No 1, Circle Square | 3 Symphony Park | Manchester | M1 7FS Freephone: 0800 886 100 | Website: www.hilti.co.uk

LEGAL NOTICE: This template contains Hilti Intellectual Property, which is legally protected, including Community registration of Hilti trademarks. For use only by Hilti customers and in conjunction with Hilti products. No third-party use/products is authorised and breaches Hilti's intellectual property rights. Hilti accepts no responsibility for unauthorized use and reserves all rights to take legal action to enforce its rights in law.

	Product Hilti CFS-VB Cavity Barrier	ID CFS-VB/NVB 06.v1
Information - Not to scale - All units are in millimetres - Products tested according ASFP TGD-19	Application CFS-VB inside corner	Revision 01
		Page 1/1



Construction details:

- Cavity barriers are suitable for masonry, concrete, SFS (fixed on frame or board).
- Barriers brackets are to be suitably fixed to the substrate with non-combustible fixings.
- Max barrier width of 130mm for screw fixation of the barrier directly to the base material.

Brackets

Barrier Length (mm)	≤ 250	251-600	601-1200
Number of Brackets	1	2	3

Brackets centres: ≤ 470mm


Product fire performance

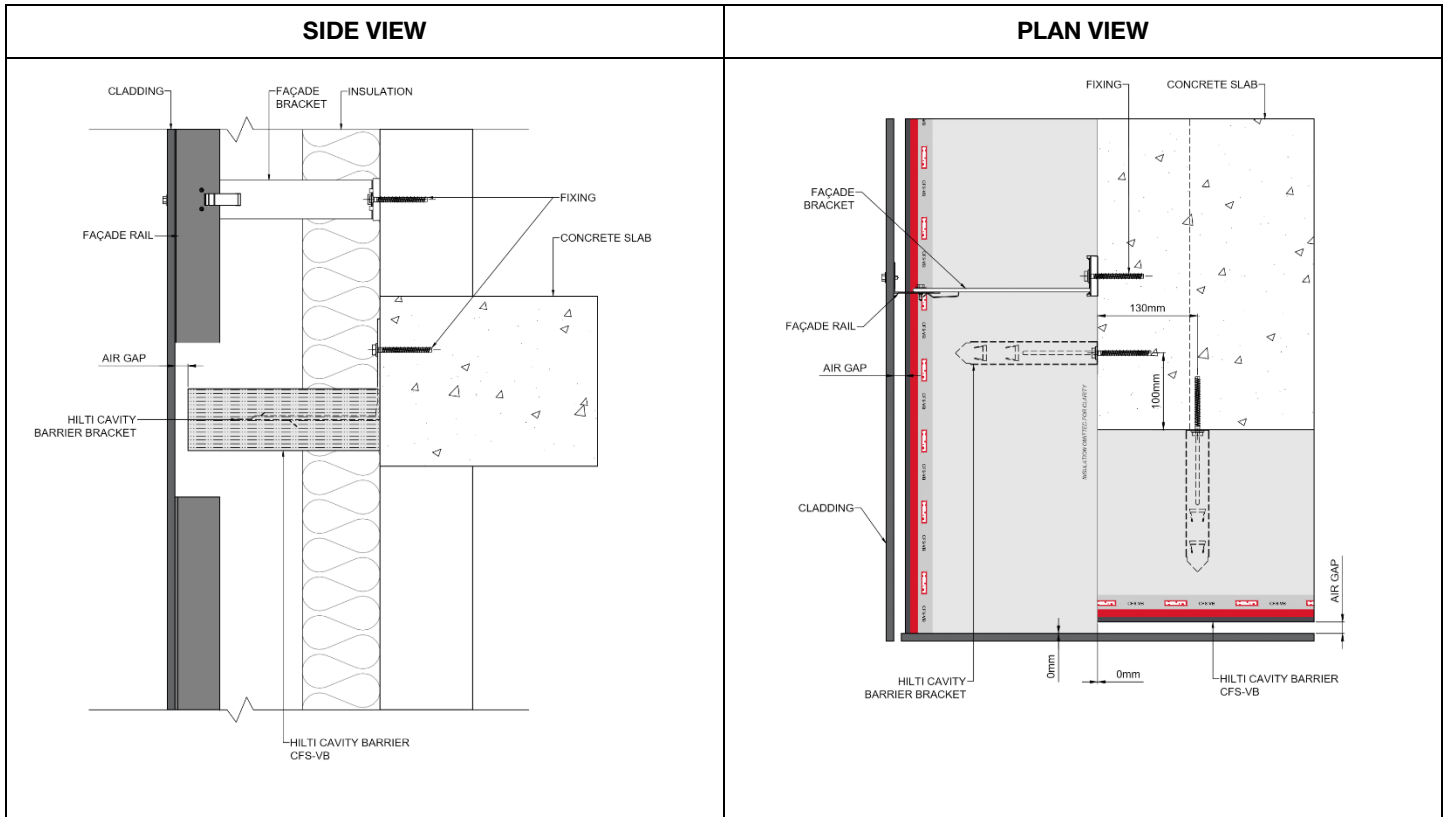
Product	Max Air Gap (mm)	Void Range (mm)	Integrity Rating (min)	Insulation Rating (min)
CFS-VB E60 25mm	25	50-400	60	30
CFS-VB E60 50mm	50	75-400	60	30
CFS-VB E120 25mm	25	50-400	120	30

1. The application limits on this detail are for guidance purposes only. For more detailed information based on the full range of available test results please contact the Hilti Technical Advisory Service.
2. All installations should be carried out in accordance with Hilti's installation instructions and by competent & experienced installers using Hilti branded products.
3. All services are to be correctly and adequately supported to prevent collapse and distortion.

Hilti (Gt. Britain) Limited | No 1, Circle Square | 3 Symphony Park | Manchester | M1 7FS Freephone: 0800 886 100 | Website: www.hilti.co.uk

LEGAL NOTICE: This template contains Hilti Intellectual Property, which is legally protected, including Community registration of Hilti trademarks. For use only by Hilti customers and in conjunction with Hilti products. No third-party use/products is authorised and breaches Hilti's intellectual property rights. Hilti accepts no responsibility for unauthorized use and reserves all rights to take legal action to enforce its rights in law.

	Product Hilti CFS-VB Cavity Barrier	ID CFS-VB/NVB 07.v1
Information - Not to scale - All units are in millimetres - Products tested according ASFP TGD-19	Application CFS-VB outside corner	Revision 01
		Page 1/1



Construction details:

- Cavity barriers are suitable for masonry, concrete, SFS (fixed on frame or board).
- Barriers brackets are to be suitably fixed to the substrate with non-combustible fixings.
- Max barrier width of 130mm for screw fixation of the barrier directly to the base material.

Brackets

Barrier Length (mm)	≤ 250	251-600	601-1200
Number of Brackets	1	2	3

Brackets centres: ≤ 470mm


Product fire performance

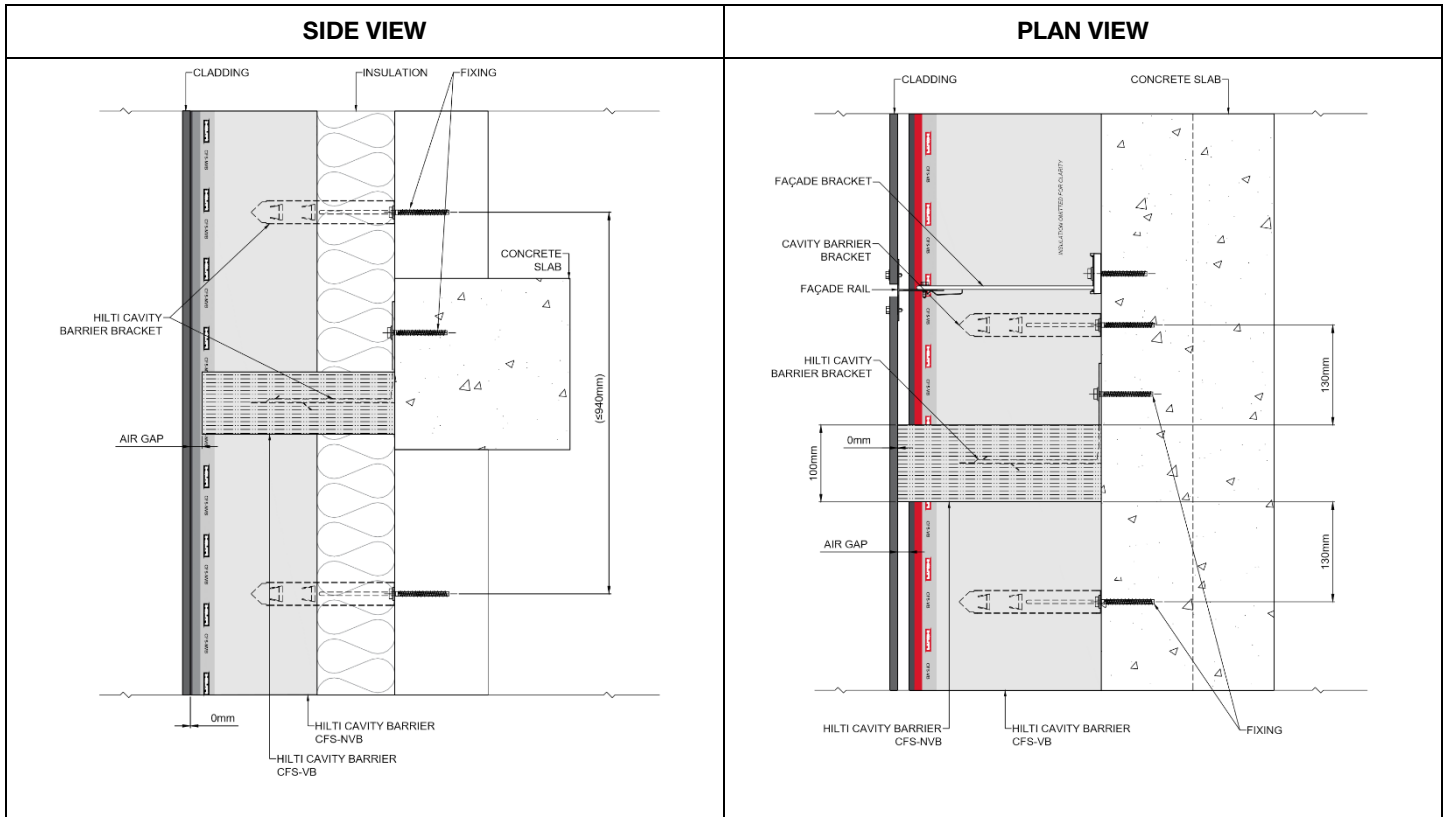
Product	Max Air Gap (mm)	Void Range (mm)	Integrity Rating (min)	Insulation Rating (min)
CFS-VB E60 25mm	25	50-400	60	30
CFS-VB E60 50mm	50	75-400	60	30
CFS-VB E120 25mm	25	50-400	120	30

1. The application limits on this detail are for guidance purposes only. For more detailed information based on the full range of available test results please contact the Hilti Technical Advisory Service.
2. All installations should be carried out in accordance with Hilti's installation instructions and by competent & experienced installers using Hilti branded products.
3. All services are to be correctly and adequately supported to prevent collapse and distortion.

Hilti (Gt. Britain) Limited | No 1, Circle Square | 3 Symphony Park | Manchester | M1 7FS Freephone: 0800 886 100 | Website: www.hilti.co.uk

LEGAL NOTICE: This template contains Hilti Intellectual Property, which is legally protected, including Community registration of Hilti trademarks. For use only by Hilti customers and in conjunction with Hilti products. No third-party use/products is authorised and breaches Hilti's intellectual property rights. Hilti accepts no responsibility for unauthorized use and reserves all rights to take legal action to enforce its rights in law.

	Product Hilti CFS-VB & CFS-NVB Cavity Barriers	ID CFS-VB/NVB 08.v1
Information - Not to scale - All units are in millimetres - Products tested according ASFP TGD-19	Application Intersection of ventilated and non-ventilated barrier	Revision 01 Page 1/1



Construction details:

- Cavity barriers are suitable for masonry, concrete, SFS (fixed on frame or board).
- Barriers brackets are to be suitably fixed to the substrate with non-combustible fixings.
- Max barrier width of 130mm for screw fixation of the barrier directly to the base material.

Brackets

Ventilated Barrier

Barrier Length (mm)	≤ 250	251-600	601-1200
Number of Brackets	1	2	3

Brackets centres: ≤ 470mm

Non- Ventilated Barrier

Barrier Length (mm)	≤ 250	251-1200
Number of Brackets	1	2

Brackets centres: ≤ 940mm


Product fire performance

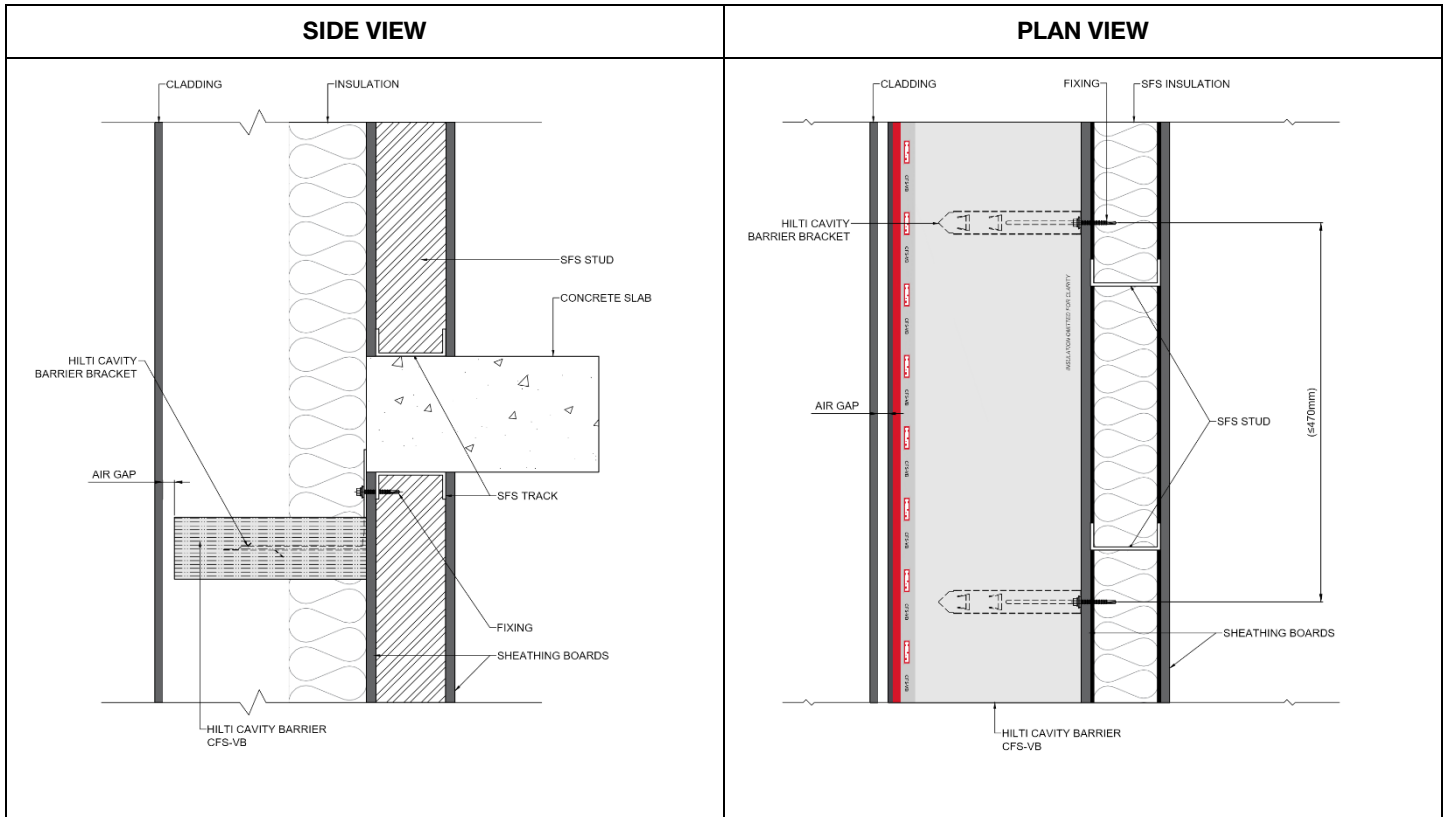
Product	Integrity Rating (min)	Insulation Rating (min)
CFS-VB	60	30

1. The application limits on this detail are for guidance purposes only. For more detailed information based on the full range of available test results please contact the Hilti Technical Advisory Service.
2. All installations should be carried out in accordance with Hilti's installation instructions and by competent & experienced installers using Hilti branded products.
3. All services are to be correctly and adequately supported to prevent collapse and distortion.

Hilti (Gt. Britain) Limited | No 1, Circle Square | 3 Symphony Park | Manchester | M1 7FS Freephone: 0800 886 100 | Website: www.hilti.co.uk

LEGAL NOTICE: This template contains Hilti Intellectual Property, which is legally protected, including Community registration of Hilti trademarks. For use only by Hilti customers and in conjunction with Hilti products. No third-party use/products is authorised and breaches Hilti's intellectual property rights. Hilti accepts no responsibility for unauthorized use and reserves all rights to take legal action to enforce its rights in law.

	Product Hilti CFS-VB Cavity Barrier	ID CFS-VB/NVB 09.v1
Information - Not to scale - All units are in millimetres - Products tested according ASFP TGD-19	Application CFS-VB horizontal installation on SFS (frame)	Revision 01
		Page 1/1



Construction details:

- Cavity barriers are suitable for masonry, concrete, SFS (fixed on frame or board).
- Barrier brackets are to be suitably fixed to the substrate with non-combustible fixings.
- Max barrier width of 130mm for screw fixation of the barrier directly to the base material.
- Tested with a 12.1mm thick calcium silicate cement board.

Brackets

Barrier Length (mm)	≤ 250	251-600	601-1200
Number of Brackets	1	2	3

Brackets centres: ≤ 470mm


Product fire performance

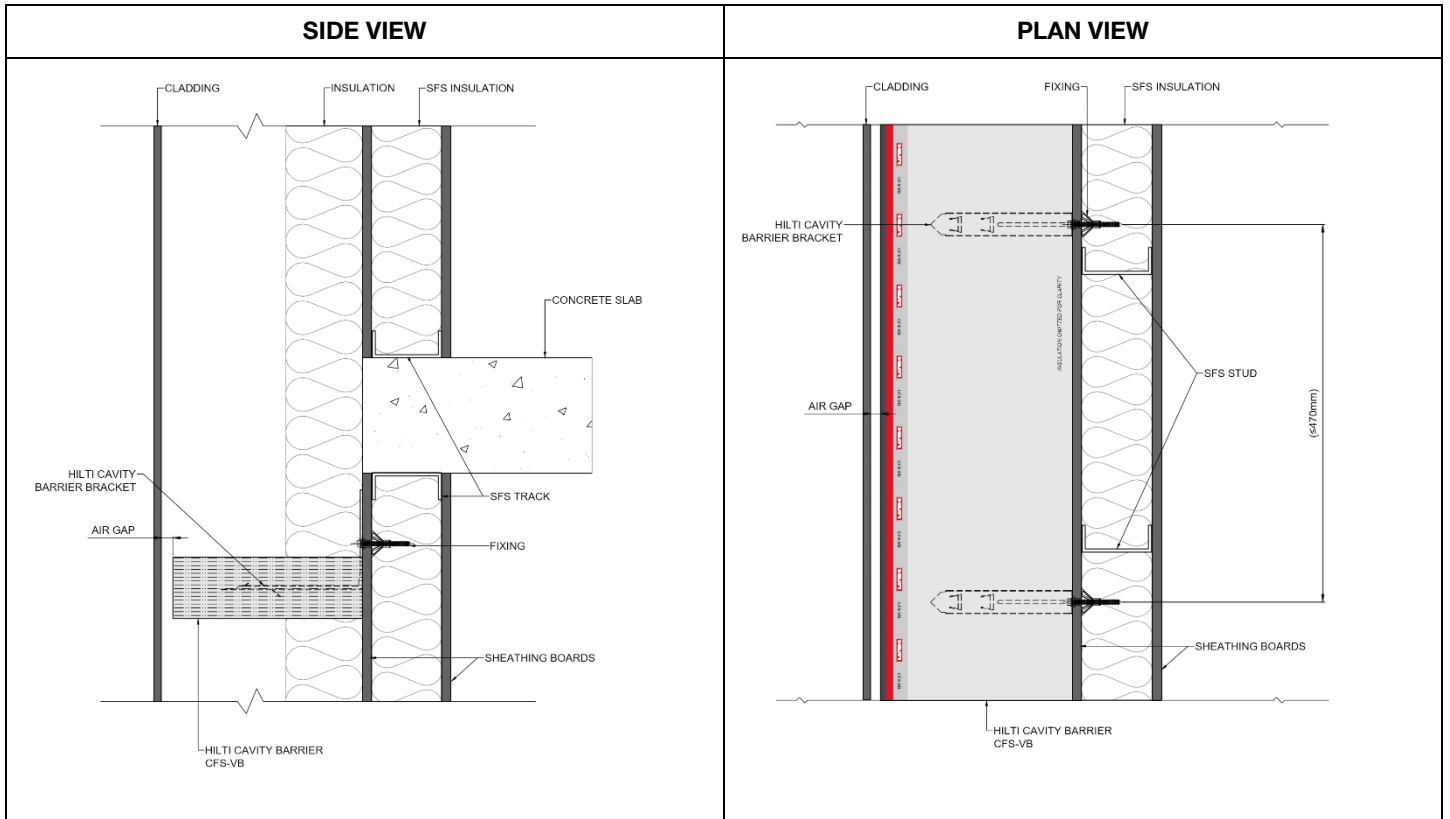
Product	Integrity Rating (min)	Insulation Rating (min)
CFS-VB	60	30

1. The application limits on this detail are for guidance purposes only. For more detailed information based on the full range of available test results please contact the Hilti Technical Advisory Service.
2. All installations should be carried out in accordance with Hilti's installation instructions and by competent & experienced installers using Hilti branded products.
3. All services are to be correctly and adequately supported to prevent collapse and distortion.

Hilti (Gt. Britain) Limited | No 1, Circle Square | 3 Symphony Park | Manchester | M1 7FS Freephone: 0800 886 100 | Website: www.hilti.co.uk

LEGAL NOTICE: This template contains Hilti Intellectual Property, which is legally protected, including Community registration of Hilti trademarks. For use only by Hilti customers and in conjunction with Hilti products. No third-party use/products is authorised and breaches Hilti's intellectual property rights. Hilti accepts no responsibility for unauthorized use and reserves all rights to take legal action to enforce its rights in law.

	Product Hilti CFS-VB Cavity Barrier	ID CFS-VB/NVB 10.v1
Information - Not to scale - All units are in millimetres - Products tested according ASFP TGD-19	Application CFS-VB horizontal installation on SFS (board)	Revision 01
		Page 1/1



Construction details:

- Cavity barriers are suitable for masonry, concrete, SFS (fixed on frame or board).
- Barrier brackets are to be suitably fixed to the substrate with non-combustible fixings.
- Max barrier width of 130mm for screw fixation of the barrier directly to the base material.
- Tested with a 12.1mm thick calcium silicate cement board.

Brackets

Barrier Length (mm)	≤ 250	251-600	601-1200
Number of Brackets	1	2	3

Brackets centres: ≤ 470mm

Product fire performance


Product	Integrity Rating (min)	Insulation Rating (min)
CFS-VB	60	30

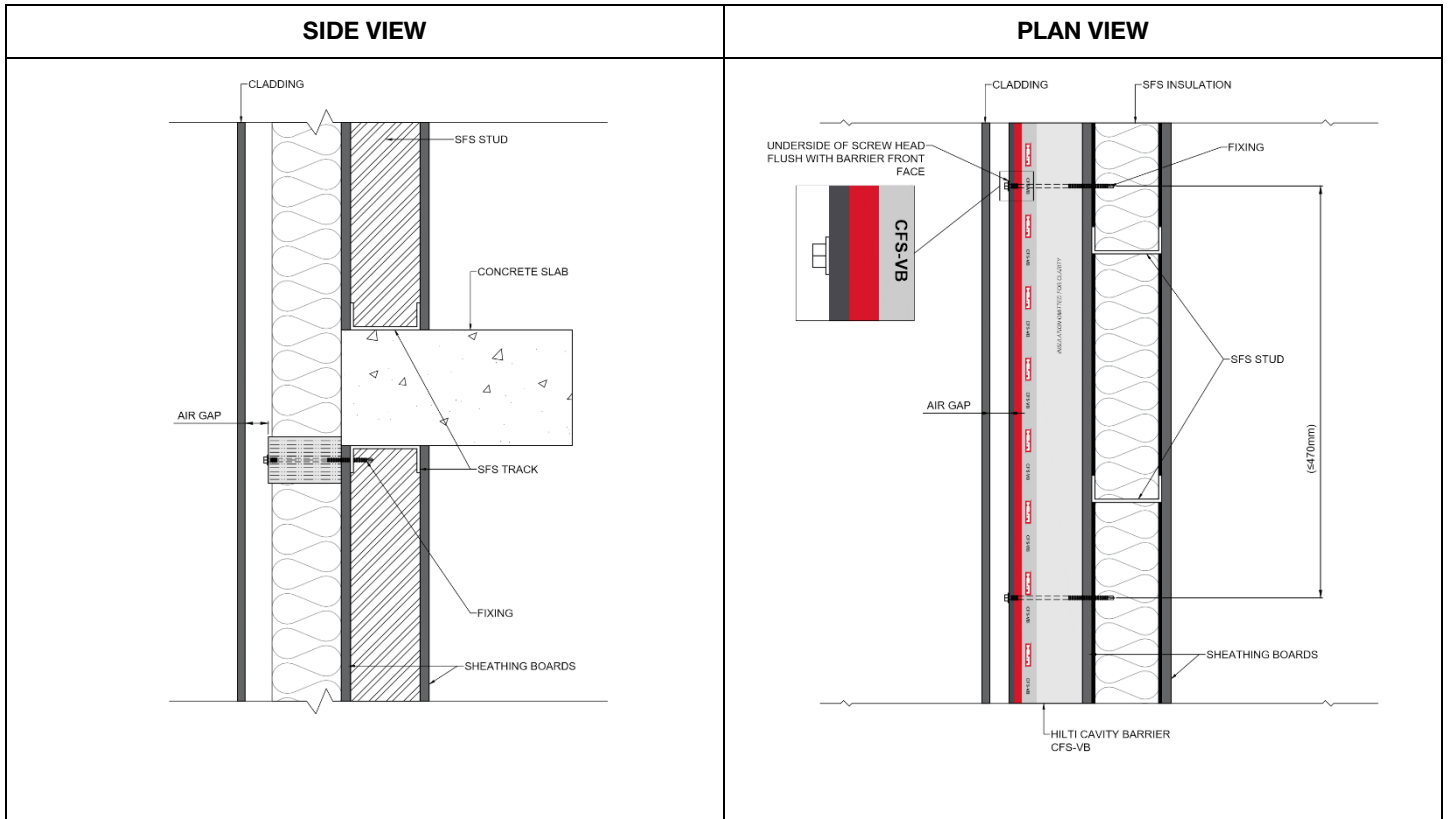
1. The application limits on this detail are for guidance purposes only. For more detailed information based on the full range of available test results please contact the Hilti Technical Advisory Service.
2. All installations should be carried out in accordance with Hilti's installation instructions and by competent & experienced installers using Hilti branded products.
3. All services are to be correctly and adequately supported to prevent collapse and distortion.

Hilti (Gt. Britain) Limited | No 1, Circle Square | 3 Symphony Park | Manchester | M1 7FS

Freephone: 0800 886 100 | Website: www.hilti.co.uk

LEGAL NOTICE: This template contains Hilti Intellectual Property, which is legally protected, including Community registration of Hilti trademarks. For use only by Hilti customers and in conjunction with Hilti products. No third-party use/products is authorised and breaches Hilti's intellectual property rights. Hilti accepts no responsibility for unauthorized use and reserves all rights to take legal action to enforce its rights in law.

	Product Hilti CFS-VB Cavity Barrier	ID CFS-VB/NVB 11.v1
Information - Not to scale - All units are in millimetres - Products tested according ASFP TGD-19	Application CFS-VB horizontal installation with screw fixation on SFS (frame)	Revision 01 Page 1/1



Construction details:

- Cavity barriers are suitable for masonry, concrete, SFS (fixed on frame or board).
- Barriers brackets are to be suitably fixed to the substrate with non-combustible fixings.
- Max barrier width of 130mm for screw fixation of the barrier directly to the base material.
- Tested with a 12.1mm thick calcium silicate cement board.

Brackets

Barrier Length (mm)	≤ 250	251-600	601-1200
Number of Brackets	1	2	3

Brackets centres: ≤ 470mm


Product fire performance

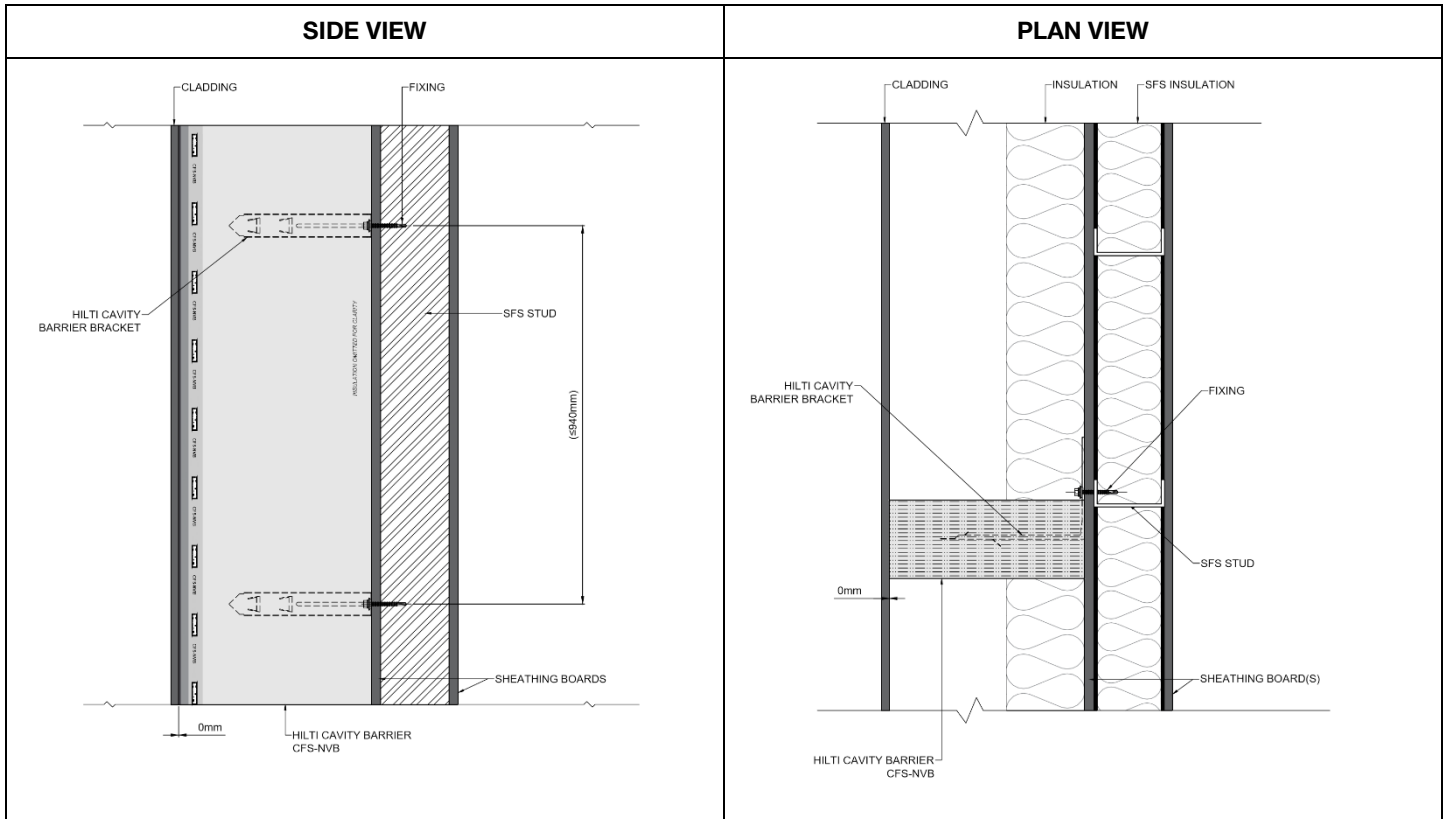
Product	Integrity Rating (min)	Insulation Rating (min)
CFS-VB	60	30

1. The application limits on this detail are for guidance purposes only. For more detailed information based on the full range of available test results please contact the Hilti Technical Advisory Service.
2. All installations should be carried out in accordance with Hilti's installation instructions and by competent & experienced installers using Hilti branded products.
3. All services are to be correctly and adequately supported to prevent collapse and distortion.

Hilti (Gt. Britain) Limited | No 1, Circle Square | 3 Symphony Park | Manchester | M1 7FS Freephone: 0800 886 100 | Website: www.hilti.co.uk

LEGAL NOTICE: This template contains Hilti Intellectual Property, which is legally protected, including Community registration of Hilti trademarks. For use only by Hilti customers and in conjunction with Hilti products. No third-party use/products is authorised and breaches Hilti's intellectual property rights. Hilti accepts no responsibility for unauthorized use and reserves all rights to take legal action to enforce its rights in law.

	Product Hilti CFS-NVB Cavity Barrier	ID CFS-VB/NVB 12.v1
Information - Not to scale - All units are in millimetres - Products tested according ASFP TGD-19	Application CFS-NVB vertical installation on SFS (frame)	Revision 01 Page 1/1



Construction details:

- Cavity barriers are suitable for masonry, concrete, SFS (fixed on frame or board).
- Barrier brackets are to be suitably fixed to the substrate with non-combustible fixings.
- Max barrier width of 130mm for screw fixation of the barrier directly to the base material.
- Tested with a 12.1mm thick calcium silicate cement board.

Brackets

Barrier Length (mm)	≤ 250	251-1200
Number of Brackets	1	2

Brackets centres: ≤ 940mm

Product fire performance


Product	Integrity Rating (min)	Insulation Rating (min)
CFS-NVB E120	120	60 – stainless steel brackets 30 – galvanised steel brackets

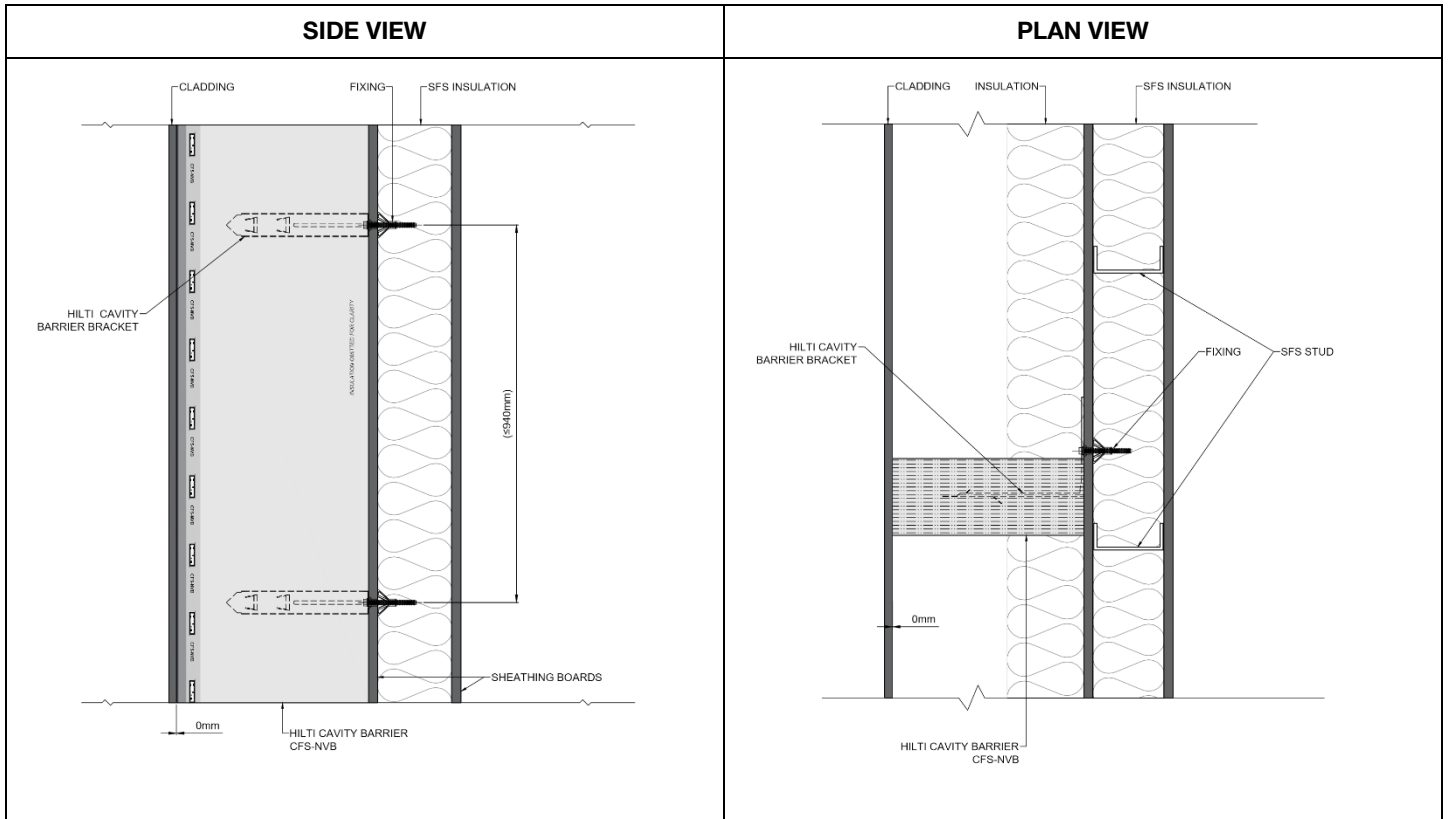
1. The application limits on this detail are for guidance purposes only. For more detailed information based on the full range of available test results please contact the Hilti Technical Advisory Service.
2. All installations should be carried out in accordance with Hilti's installation instructions and by competent & experienced installers using Hilti branded products.
3. All services are to be correctly and adequately supported to prevent collapse and distortion.

Hilti (Gt. Britain) Limited | No 1, Circle Square | 3 Symphony Park | Manchester | M1 7FS

Freephone: 0800 886 100 | Website: www.hilti.co.uk

LEGAL NOTICE: This template contains Hilti Intellectual Property, which is legally protected, including Community registration of Hilti trademarks. For use only by Hilti customers and in conjunction with Hilti products. No third-party use/products is authorised and breaches Hilti's intellectual property rights. Hilti accepts no responsibility for unauthorized use and reserves all rights to take legal action to enforce its rights in law.

	Product Hilti CFS-NVB Cavity Barrier	ID CFS-VB/NVB 13.v1
Information - Not to scale - All units are in millimetres - Products tested according ASFP TGD-19	Application CFS-NVB vertical installation on SFS (board)	Revision 01
		Page 1/1



Construction details:

- Cavity barriers are suitable for masonry, concrete, SFS (fixed on frame or board).
- Barriers brackets are to be suitably fixed to the substrate with non-combustible fixings.
- Max barrier width of 130mm for screw fixation of the barrier directly to the base material.
- Tested with a 12.1mm thick calcium silicate cement board.

Brackets

Barrier Length (mm)	≤ 250	251-1200
Number of Brackets	1	2

Brackets centres: ≤ 940mm

Product fire performance


Product	Integrity Rating (min)	Insulation Rating (min)
CFS-NVB E120	120	60 – stainless steel brackets 30 – galvanised steel brackets

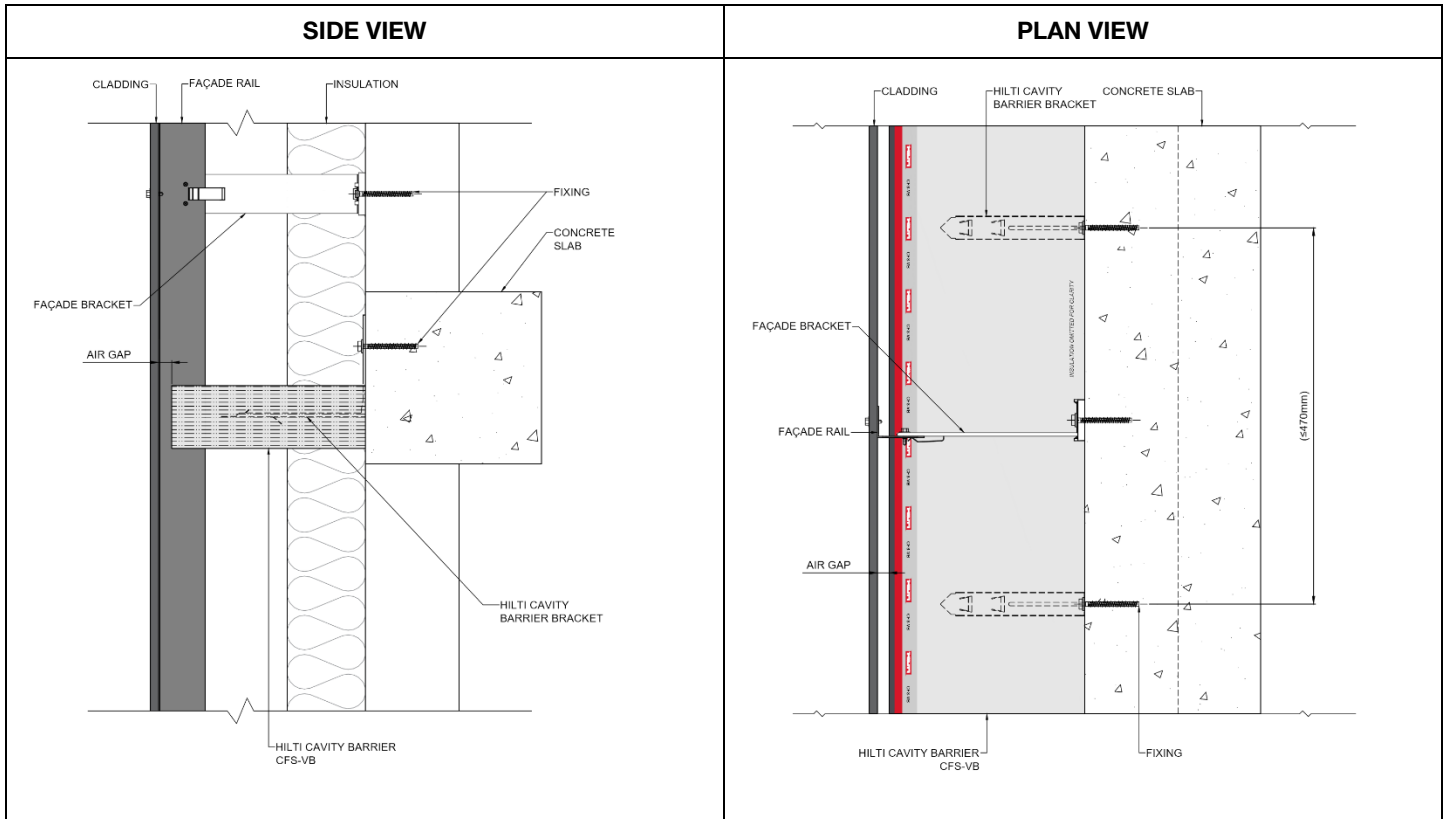
1. The application limits on this detail are for guidance purposes only. For more detailed information based on the full range of available test results please contact the Hilti Technical Advisory Service.
2. All installations should be carried out in accordance with Hilti's installation instructions and by competent & experienced installers using Hilti branded products.
3. All services are to be correctly and adequately supported to prevent collapse and distortion.

Hilti (Gt. Britain) Limited | No 1, Circle Square | 3 Symphony Park | Manchester | M1 7FS

Freephone: 0800 886 100 | Website: www.hilti.co.uk

LEGAL NOTICE: This template contains Hilti Intellectual Property, which is legally protected, including Community registration of Hilti trademarks. For use only by Hilti customers and in conjunction with Hilti products. No third-party use/products is authorised and breaches Hilti's intellectual property rights. Hilti accepts no responsibility for unauthorized use and reserves all rights to take legal action to enforce its rights in law.

	Product Hilti CFS-VB Cavity Barrier	ID CFS-VB/NVB 14.v1
Information - Not to scale - All units are in millimetres - Products tested according ASFP TGD-19	Application CFS-VB intersected by façade rail (Hilti MFT-L)	Revision 01 Page 1/1



Construction details:

- Cavity barriers are suitable for masonry, concrete, SFS (fixed on frame or board).
- Barriers brackets are to be suitably fixed to the substrate with non-combustible fixings.
- Max barrier width of 130mm for screw fixation of the barrier directly to the base material.

Brackets

Barrier Length (mm)	≤ 250	251-600	601-1200
Number of Brackets	1	2	3

Brackets centres: ≤ 470mm

Product fire performance


Product	Integrity Rating (min)	Insulation Rating (min)
CFS-VB	60	30

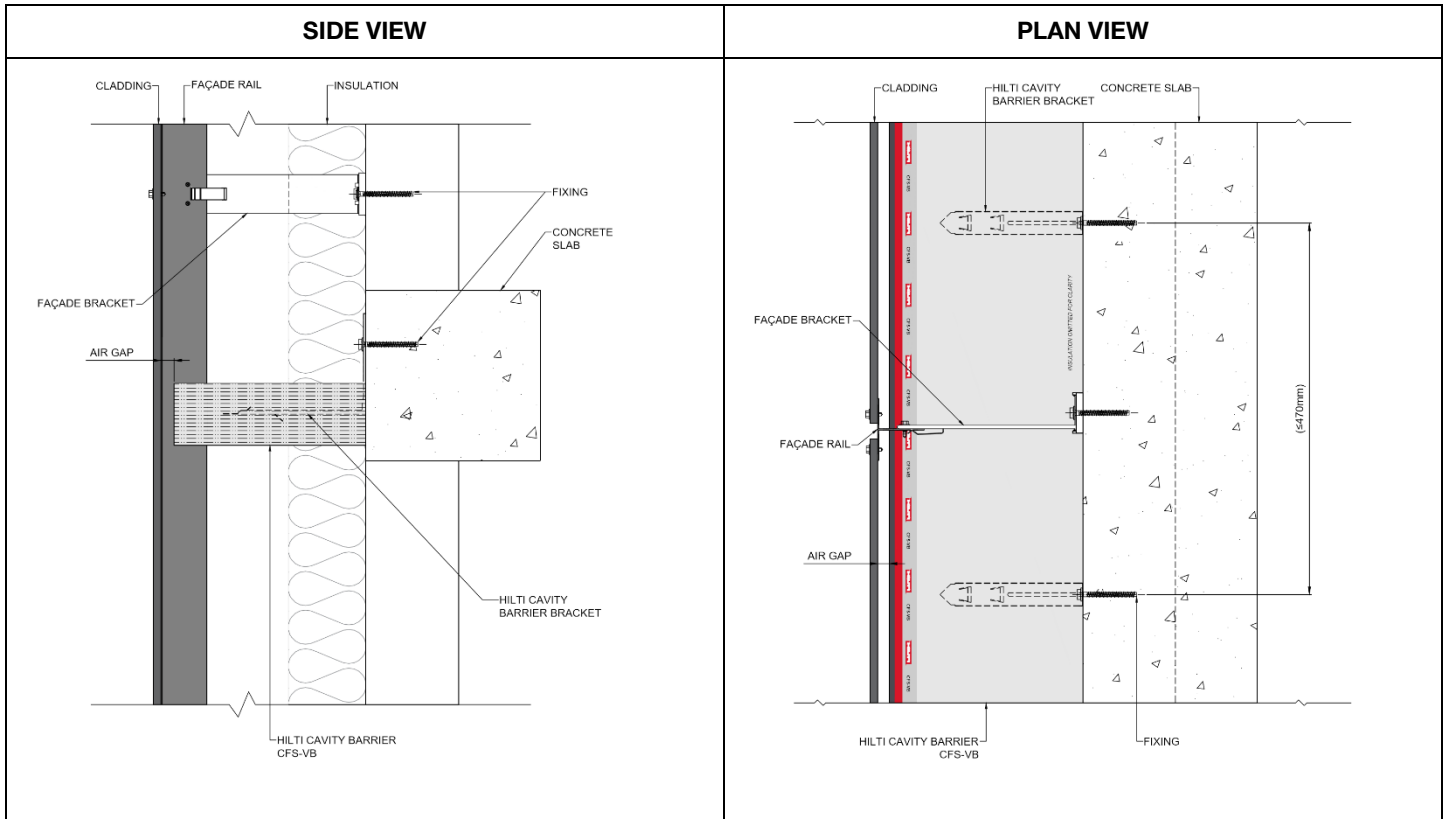
1. The application limits on this detail are for guidance purposes only. For more detailed information based on the full range of available test results please contact the Hilti Technical Advisory Service.
2. All installations should be carried out in accordance with Hilti's installation instructions and by competent & experienced installers using Hilti branded products.
3. All services are to be correctly and adequately supported to prevent collapse and distortion.

Hilti (Gt. Britain) Limited | No 1, Circle Square | 3 Symphony Park | Manchester | M1 7FS

Freephone: 0800 886 100 | Website: www.hilti.co.uk

LEGAL NOTICE: This template contains Hilti Intellectual Property, which is legally protected, including Community registration of Hilti trademarks. For use only by Hilti customers and in conjunction with Hilti products. No third-party use/products is authorised and breaches Hilti's intellectual property rights. Hilti accepts no responsibility for unauthorized use and reserves all rights to take legal action to enforce its rights in law.

	Product Hilti CFS-VB Cavity Barrier	ID CFS-VB/NVB 15.v1
Information - Not to scale - All units are in millimetres - Products tested according ASFP TGD-19	Application CFS-VB intersected by façade rail (Hilti MFT-T)	Revision 01
		Page 1/1



Construction details:

- Cavity barriers are suitable for masonry, concrete, SFS (fixed on frame or board).
- Barriers brackets are to be suitably fixed to the substrate with non-combustible fixings.
- Max barrier width of 130mm for screw fixation of the barrier directly to the base material.

Brackets

Barrier Length (mm)	≤ 250	251-600	601-1200
Number of Brackets	1	2	3

Brackets centres: ≤ 470mm

Product fire performance


Product	Integrity Rating (min)	Insulation Rating (min)
CFS-VB	60	30

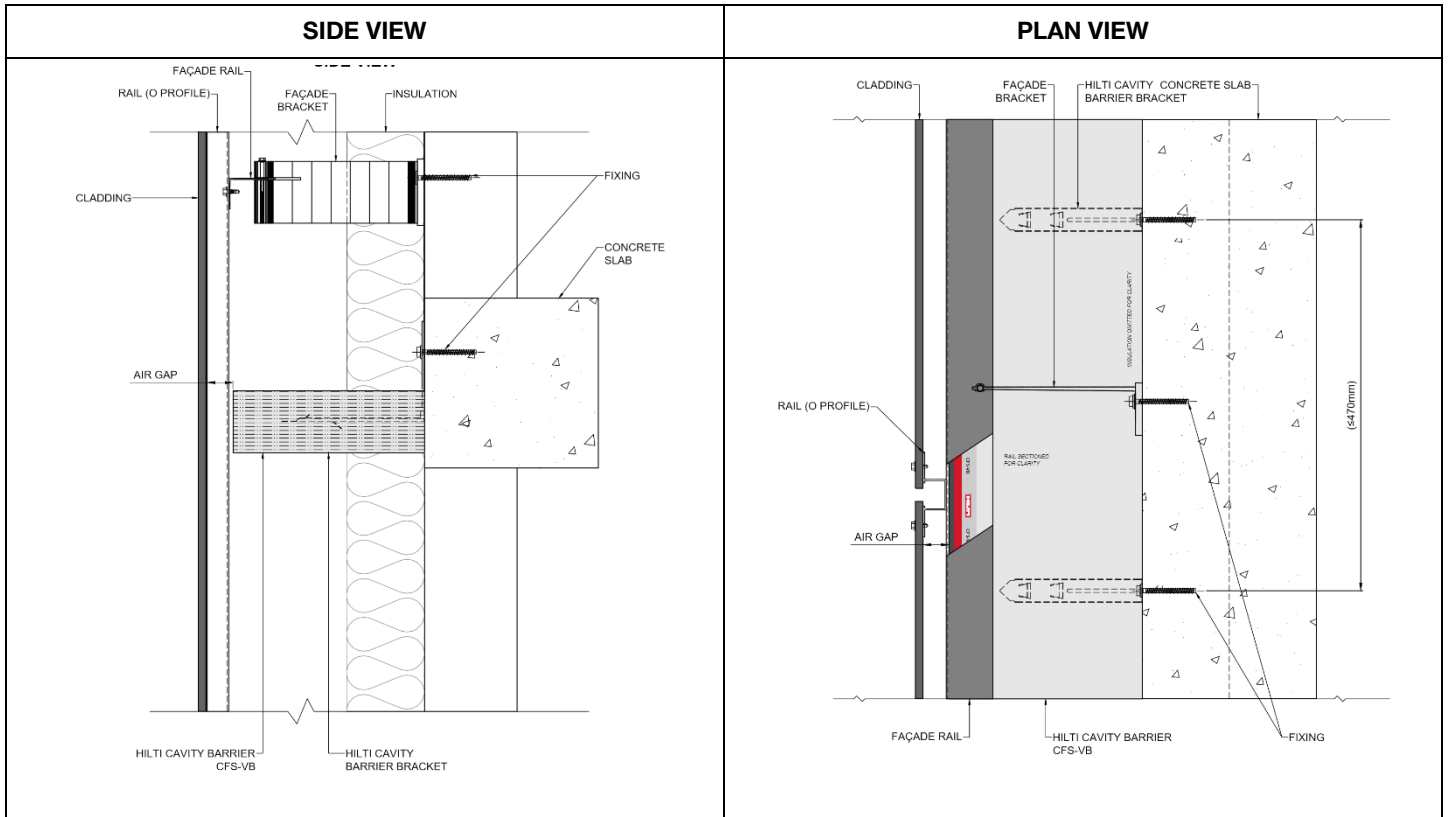
1. The application limits on this detail are for guidance purposes only. For more detailed information based on the full range of available test results please contact the Hilti Technical Advisory Service.
2. All installations should be carried out in accordance with Hilti's installation instructions and by competent & experienced installers using Hilti branded products.
3. All services are to be correctly and adequately supported to prevent collapse and distortion.

Hilti (Gt. Britain) Limited | No 1, Circle Square | 3 Symphony Park | Manchester | M1 7FS

Freephone: 0800 886 100 | Website: www.hilti.co.uk

LEGAL NOTICE: This template contains Hilti Intellectual Property, which is legally protected, including Community registration of Hilti trademarks. For use only by Hilti customers and in conjunction with Hilti products. No third-party use/products is authorised and breaches Hilti's intellectual property rights. Hilti accepts no responsibility for unauthorized use and reserves all rights to take legal action to enforce its rights in law.

	Product Hilti CFS-VB Cavity Barrier	ID CFS-VB/NVB 16.v1
Information - Not to scale - All units are in millimetres - Products tested according ASFP TGD-19	Application CFS-VB intersected by façade profile (Hilti MFT-O, Omega)	Revision 01 Page 1/1



Construction details:

- Cavity barriers are suitable for masonry, concrete, SFS (fixed on frame or board).
- Barriers brackets are to be suitably fixed to the substrate with non-combustible fixings.
- Max barrier width of 130mm for screw fixation of the barrier directly to the base material.

Brackets

Barrier Length (mm)	≤ 250	251-600	601-1200
Number of Brackets	1	2	3

Brackets centres: ≤ 470mm


Product fire performance

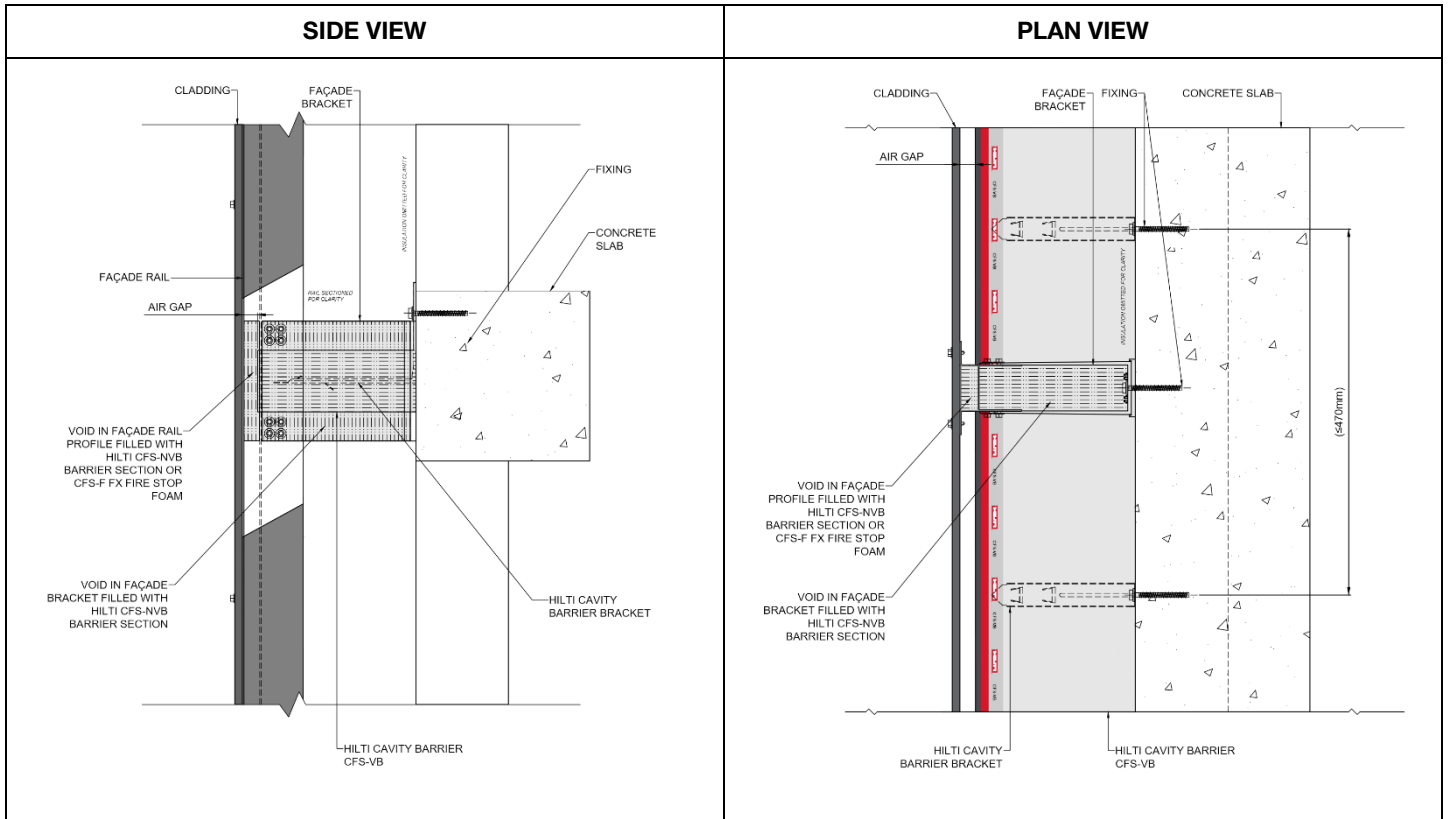
Product	Integrity Rating (min)	Insulation Rating (min)
CFS-VB	60	30

1. The application limits on this detail are for guidance purposes only. For more detailed information based on the full range of available test results please contact the Hilti Technical Advisory Service.
2. All installations should be carried out in accordance with Hilti's installation instructions and by competent & experienced installers using Hilti branded products.
3. All services are to be correctly and adequately supported to prevent collapse and distortion.

Hilti (Gt. Britain) Limited | No 1, Circle Square | 3 Symphony Park | Manchester | M1 7FS Freephone: 0800 886 100 | Website: www.hilti.co.uk

LEGAL NOTICE: This template contains Hilti Intellectual Property, which is legally protected, including Community registration of Hilti trademarks. For use only by Hilti customers and in conjunction with Hilti products. No third-party use/products is authorised and breaches Hilti's intellectual property rights. Hilti accepts no responsibility for unauthorized use and reserves all rights to take legal action to enforce its rights in law.

	Product Hilti CFS-VB Cavity Barrier	ID CFS-VB/NVB 17.v1
Information - Not to scale - All units are in millimetres - Products tested according ASFP TGD-19	Application CFS-VB intersected by façade profile (Hilti MFT-S2S TT)	Revision 01
		Page 1/1



Construction details:

- Cavity barriers are suitable for masonry, concrete, SFS (fixed on frame or board).
- Barriers brackets are to be suitably fixed to the substrate with non-combustible fixings.
- Max barrier width of 130mm for screw fixation of the barrier directly to the base material.

Brackets

Barrier Length (mm)	≤ 250	251-600	601-1200
Number of Brackets	1	2	3

Brackets centres: ≤ 470mm

Product fire performance

Product	Integrity Rating (min)	Insulation Rating (min)
CFS-VB	60	30 or 15*

*30 minutes insulation rating when the void in the façade profile is filled with Hilti CFS-FX Firestop Foam.


*15 minutes insulation rating when the void in the façade profile is filled with a piece of Hilti CFS-NVB.

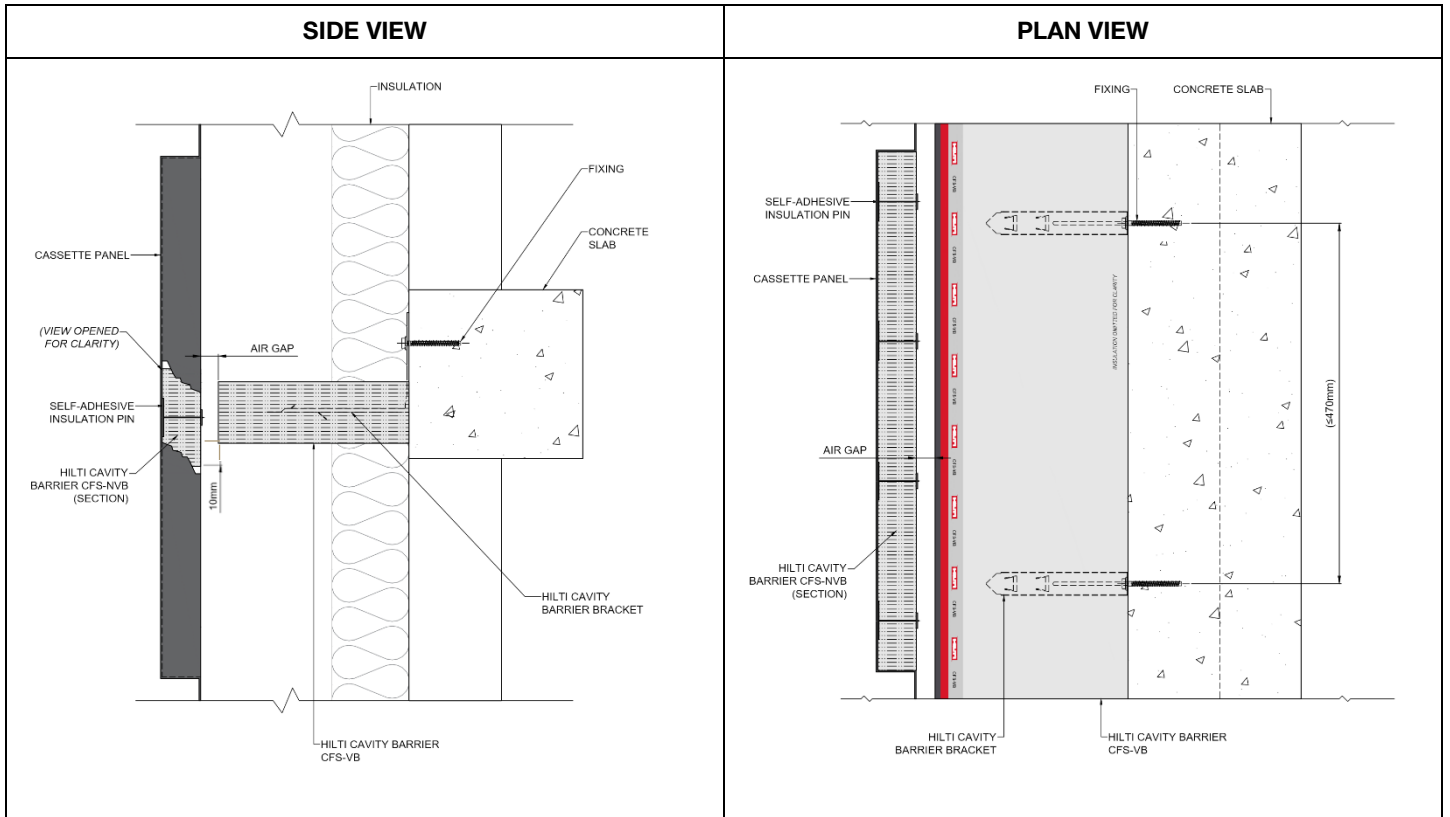
1. The application limits on this detail are for guidance purposes only. For more detailed information based on the full range of available test results please contact the Hilti Technical Advisory Service.
2. All installations should be carried out in accordance with Hilti's installation instructions and by competent & experienced installers using Hilti branded products.
3. All services are to be correctly and adequately supported to prevent collapse and distortion.

Hilti (Gt. Britain) Limited | No 1, Circle Square | 3 Symphony Park | Manchester | M1 7FS

Freephone: 0800 886 100 | Website: www.hilti.co.uk

LEGAL NOTICE: This template contains Hilti Intellectual Property, which is legally protected, including Community registration of Hilti trademarks. For use only by Hilti customers and in conjunction with Hilti products. No third-party use/products is authorised and breaches Hilti's intellectual property rights. Hilti accepts no responsibility for unauthorized use and reserves all rights to take legal action to enforce its rights in law.

	Product Hilti CFS-VB Cavity Barrier	ID CFS-VB/NVB 18.v1
Information - Not to scale - All units are in millimetres - Products tested according ASFP TGD-19	Application CFS-VB in cassette panel with horizontal CFS-NVB infill	Revision 01
		Page 1/1



Construction details:

- Cavity barriers are suitable for masonry, concrete, SFS (fixed on frame or board).
- Barriers brackets are to be suitably fixed to the substrate with non-combustible fixings.
- Max barrier width of 130mm for screw fixation of the barrier directly to the base material.
- The CFS-NVB section within the cassette panel can vary in width as long as the max air gap of the ventilated barrier is maintained. The CFS-NVB section should also extend at least 10mm above and below the horizontal ventilated barrier.

Brackets

Barrier Length (mm)	≤ 250	251-600	601-1200
Number of Brackets	1	2	3

Brackets centres: ≤ 470mm


Product fire performance

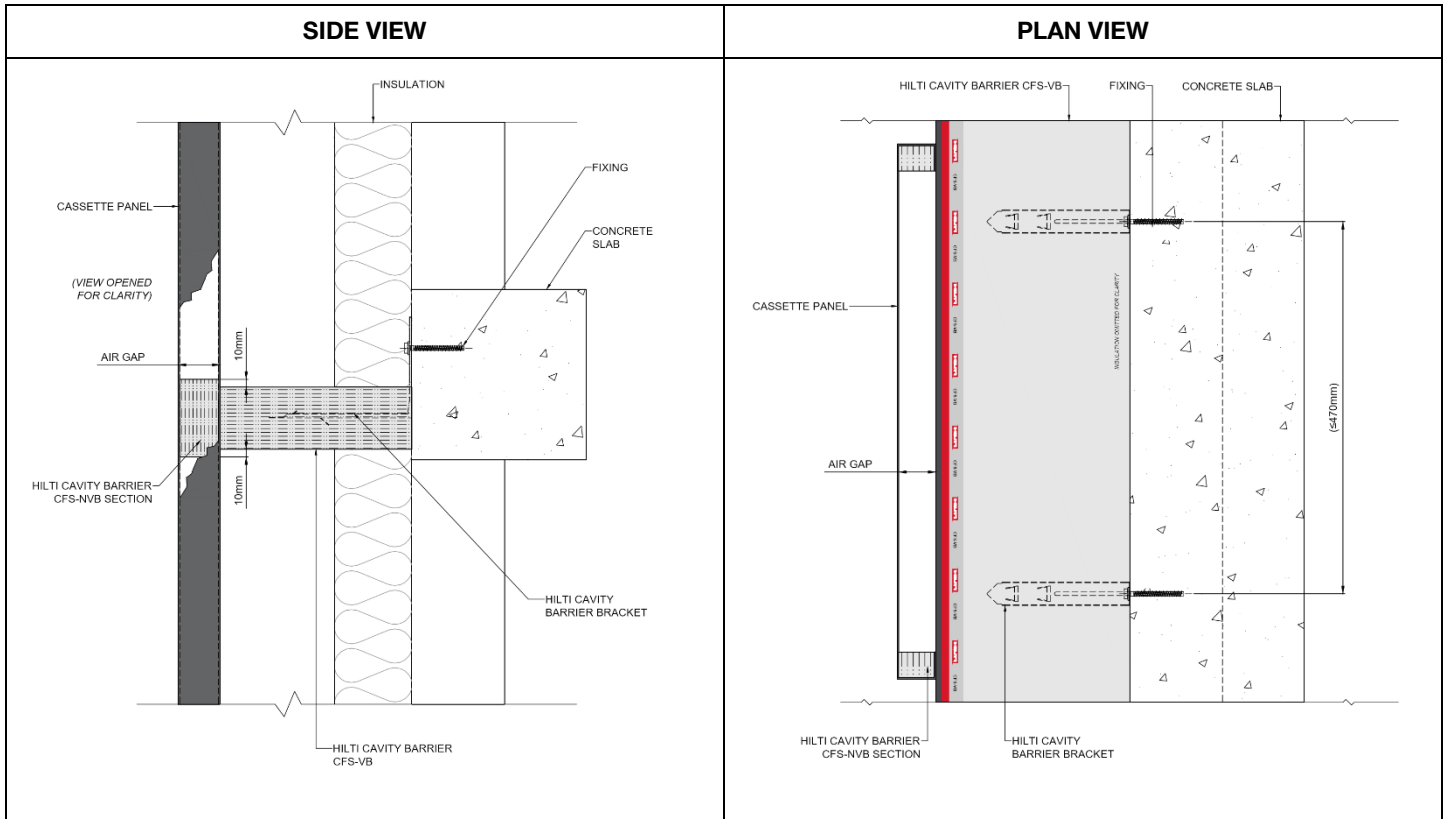
Product	Integrity Rating (min)	Insulation Rating (min)
CFS-VB	60	30

1. The application limits on this detail are for guidance purposes only. For more detailed information based on the full range of available test results please contact the Hilti Technical Advisory Service.
2. All installations should be carried out in accordance with Hilti's installation instructions and by competent & experienced installers using Hilti branded products.
3. All services are to be correctly and adequately supported to prevent collapse and distortion.

Hilti (Gt. Britain) Limited | No 1, Circle Square | 3 Symphony Park | Manchester | M1 7FS Freephone: 0800 886 100 | Website: www.hilti.co.uk

LEGAL NOTICE: This template contains Hilti Intellectual Property, which is legally protected, including Community registration of Hilti trademarks. For use only by Hilti customers and in conjunction with Hilti products. No third-party use/products is authorised and breaches Hilti's intellectual property rights. Hilti accepts no responsibility for unauthorized use and reserves all rights to take legal action to enforce its rights in law.

	Product Hilti CFS-VB Cavity Barrier	ID CFS-VB/NVB 19.v1
Information - Not to scale - All units are in millimetres - Products tested according ASFP TGD-19	Application CFS-VB in cassette panel with CFS-NVB vertical infills	Revision 01
		Page 1/1



Construction details:

- Cavity barriers are suitable for masonry, concrete, SFS (fixed on frame or board).
- Barriers brackets are to be suitably fixed to the substrate with non-combustible fixings.
- Max barrier width of 130mm for screw fixation of the barrier directly to the base material.
- Vertical CFS-NVB sections should be compressed within the panel return and should extend at least 10mm above and below the horizontal ventilated barrier.

Brackets

Barrier Length (mm)	≤ 250	251-600	601-1200
Number of Brackets	1	2	3

Brackets centres: ≤ 470mm

Product fire performance


Product	Integrity Rating (min)	Insulation Rating (min)
CFS-VB	60	30

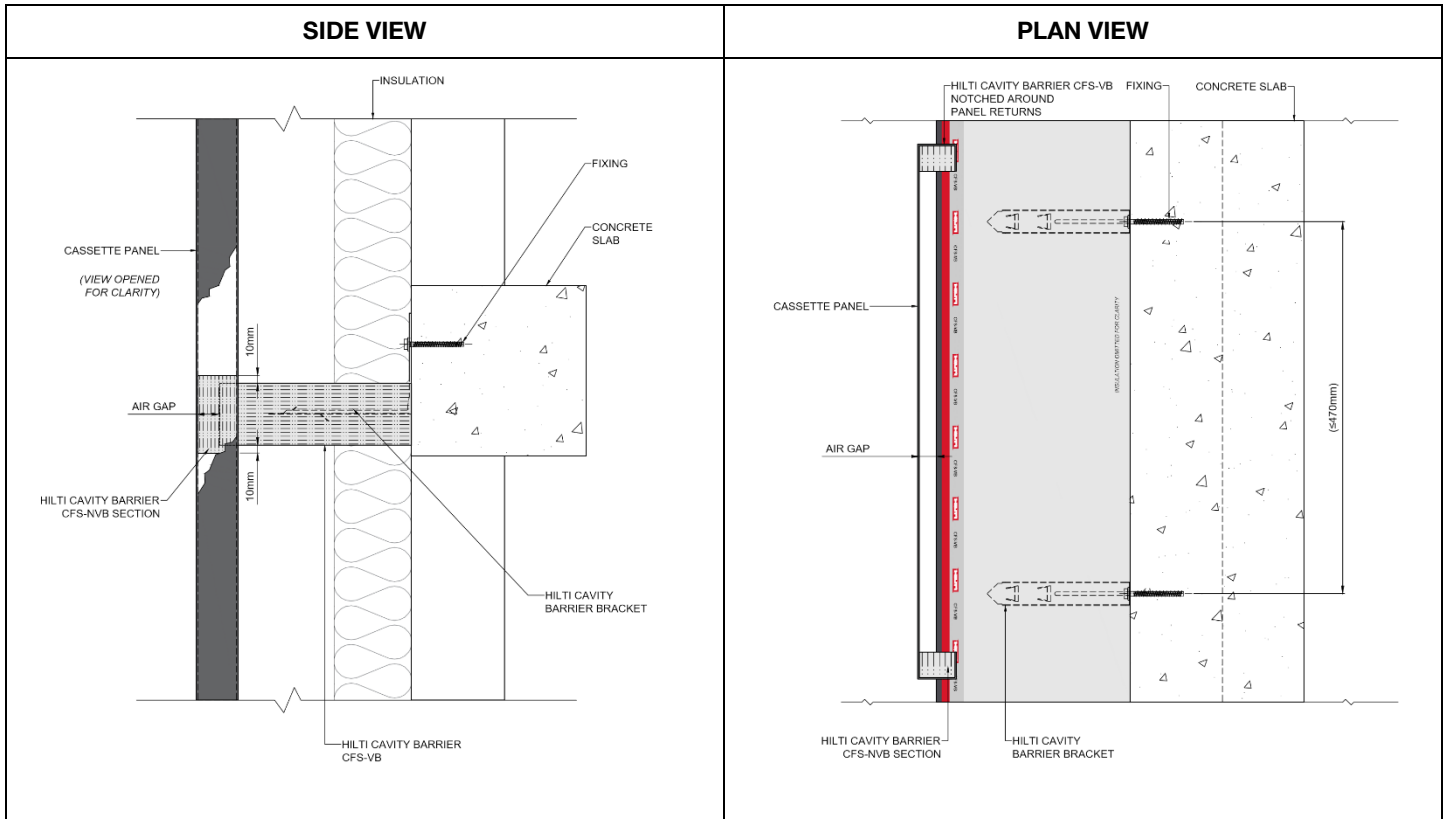
1. The application limits on this detail are for guidance purposes only. For more detailed information based on the full range of available test results please contact the Hilti Technical Advisory Service.
2. All installations should be carried out in accordance with Hilti's installation instructions and by competent & experienced installers using Hilti branded products.
3. All services are to be correctly and adequately supported to prevent collapse and distortion.

Hilti (Gt. Britain) Limited | No 1, Circle Square | 3 Symphony Park | Manchester | M1 7FS

Freephone: 0800 886 100 | Website: www.hilti.co.uk

LEGAL NOTICE: This template contains Hilti Intellectual Property, which is legally protected, including Community registration of Hilti trademarks. For use only by Hilti customers and in conjunction with Hilti products. No third-party use/products is authorised and breaches Hilti's intellectual property rights. Hilti accepts no responsibility for unauthorized use and reserves all rights to take legal action to enforce its rights in law.

	Product Hilti CFS-VB Cavity Barrier	ID CFS-VB/NVB 20.v1
Information - Not to scale - All units are in millimetres - Products tested according ASFP TGD-19	Application CFS-VB notched around cassette panel with CFS-NVB vertical infills	Revision 01 Page 1/1



Construction details:

- Cavity barriers are suitable for masonry, concrete, SFS (fixed on frame or board).
- Barriers brackets are to be suitably fixed to the substrate with non-combustible fixings.
- Max barrier width of 130mm for screw fixation of the barrier directly to the base material.
- Vertical CFS-NVB sections should be compressed within the panel return and should extend at least 10mm above and below the horizontal ventilated barrier.

Brackets

Barrier Length (mm)	≤ 250	251-600	601-1200
Number of Brackets	1	2	3

Brackets centres: ≤ 470mm

Product fire performance


Product	Integrity Rating (min)	Insulation Rating (min)
CFS-VB	60	30

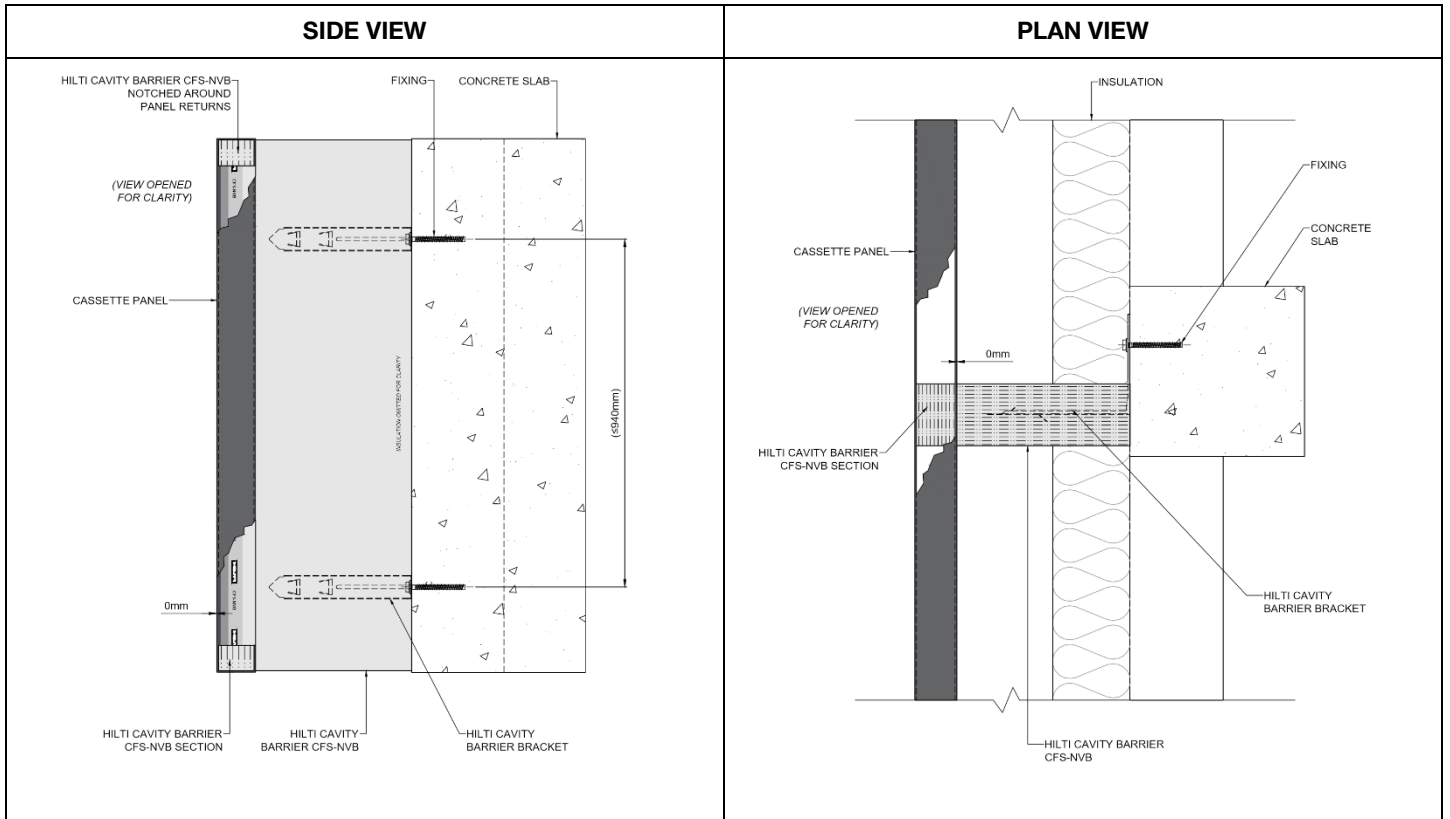
1. The application limits on this detail are for guidance purposes only. For more detailed information based on the full range of available test results please contact the Hilti Technical Advisory Service.
2. All installations should be carried out in accordance with Hilti's installation instructions and by competent & experienced installers using Hilti branded products.
3. All services are to be correctly and adequately supported to prevent collapse and distortion.

Hilti (Gt. Britain) Limited | No 1, Circle Square | 3 Symphony Park | Manchester | M1 7FS

Freephone: 0800 886 100 | Website: www.hilti.co.uk

LEGAL NOTICE: This template contains Hilti Intellectual Property, which is legally protected, including Community registration of Hilti trademarks. For use only by Hilti customers and in conjunction with Hilti products. No third-party use/products is authorised and breaches Hilti's intellectual property rights. Hilti accepts no responsibility for unauthorized use and reserves all rights to take legal action to enforce its rights in law.

	Product Hilti CFS-NVB Cavity Barrier	ID CFS-VB/NVB 21.v1
Information - Not to scale - All units are in millimetres - Products tested according EN 1366-4	Application CFS-NVB notched around cassette panel with CFS-NVB horizontal infill	Revision 01 Page 1/1



Construction details:

- Cavity barriers are suitable for masonry, concrete, SFS (fixed on frame or board).
- Barriers brackets are to be suitably fixed to the substrate with non-combustible fixings.
- Max barrier width of 130mm for screw fixation of the barrier directly to the base material.

Brackets

Barrier Length (mm)	≤ 250	251-1200
Number of Brackets	1	2

Brackets centres: ≤ 940mm

Product fire performance


Product	Integrity Rating (min)	Insulation Rating (min)
CFS-NVB E120	120	30

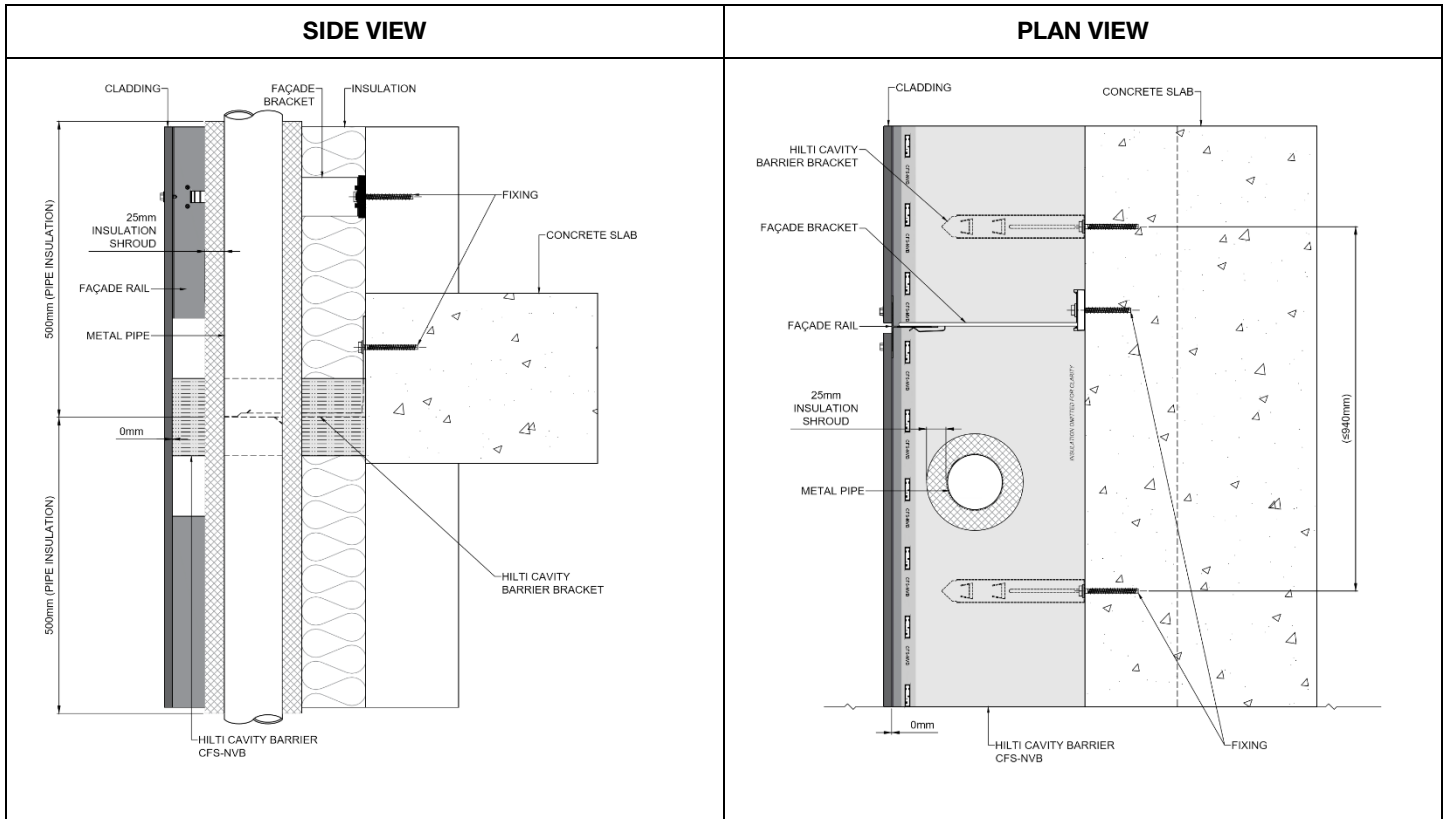
1. The application limits on this detail are for guidance purposes only. For more detailed information based on the full range of available test results please contact the Hilti Technical Advisory Service.
2. All installations should be carried out in accordance with Hilti's installation instructions and by competent & experienced installers using Hilti branded products.
3. All services are to be correctly and adequately supported to prevent collapse and distortion.

Hilti (Gt. Britain) Limited | No 1, Circle Square | 3 Symphony Park | Manchester | M1 7FS

Freephone: 0800 886 100 | Website: www.hilti.co.uk

LEGAL NOTICE: This template contains Hilti Intellectual Property, which is legally protected, including Community registration of Hilti trademarks. For use only by Hilti customers and in conjunction with Hilti products. No third-party use/products is authorised and breaches Hilti's intellectual property rights. Hilti accepts no responsibility for unauthorized use and reserves all rights to take legal action to enforce its rights in law.

	Product Hilti CFS-NVB Cavity Barrier	ID CFS-VB/NVB 22.v1
Information - Not to scale - All units are in millimetres - Products tested according EN 1366-4	Application CFS-NVB horizontal installation intersected by a metal pipe	Revision 01 Page 1/1



Construction details:

- Cavity barriers are suitable for masonry, concrete, SFS (fixed on frame or board).
- Barrier brackets are to be suitably fixed to the substrate with non-combustible fixings.
- Max barrier width of 130mm for screw fixation of the barrier directly to the base material.
- Metal pipe $\leq \varnothing 110$ mm, with 25mm thick local sustained insulation (mineral wool), running 400mm on the exposed side and 300mm on the unexposed side.

Brackets

Barrier Length (mm)	≤ 250	251-1200
Number of Brackets	1	2

Brackets centres: ≤ 940 mm


Product fire performance

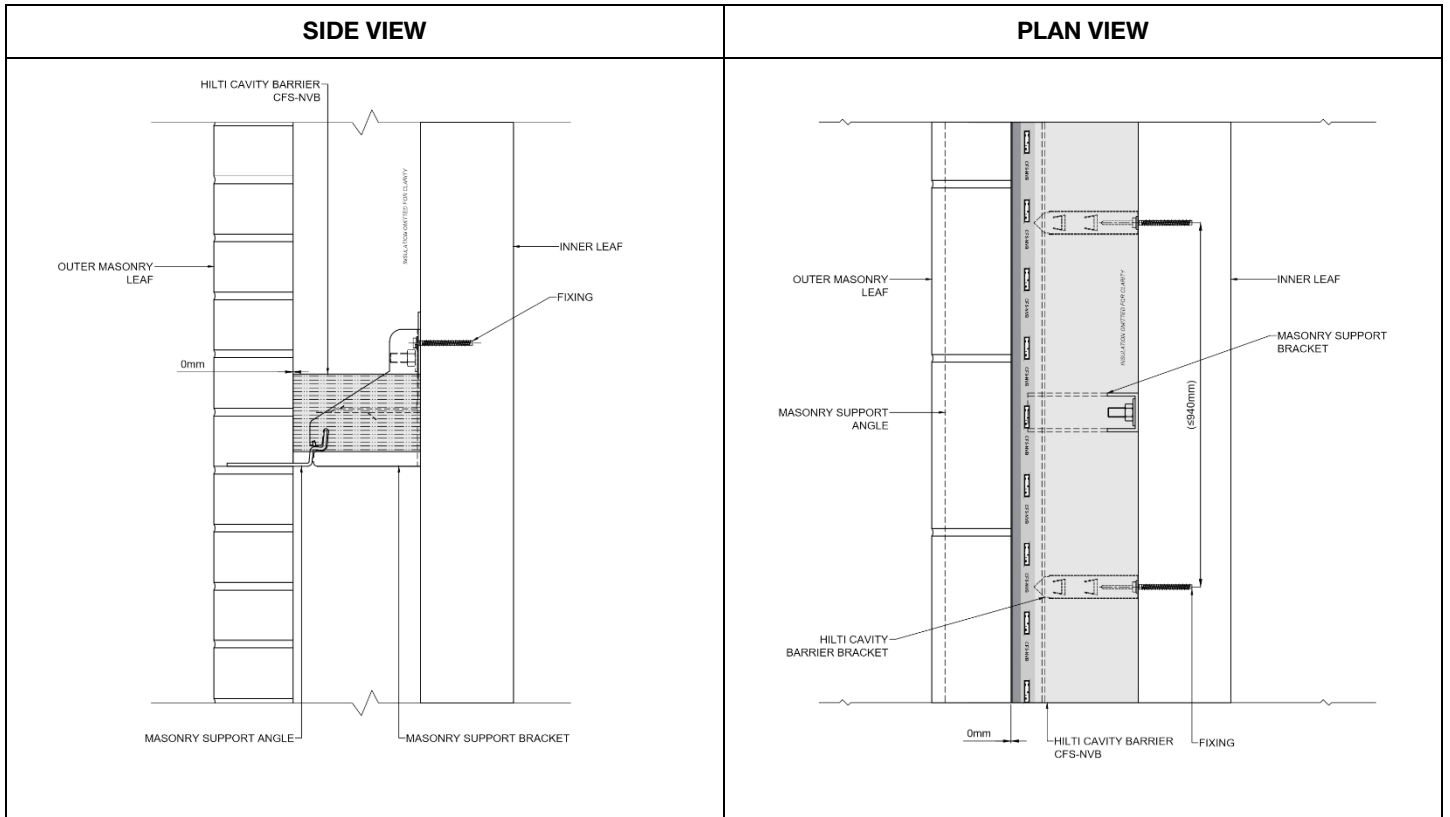
Product	Integrity Rating (min)	Insulation Rating (min)
CFS-NVB	120	45

1. The application limits on this detail are for guidance purposes only. For more detailed information based on the full range of available test results please contact the Hilti Technical Advisory Service.
2. All installations should be carried out in accordance with Hilti's installation instructions and by competent & experienced installers using Hilti branded products.
3. All services are to be correctly and adequately supported to prevent collapse and distortion.

Hilti (Gt. Britain) Limited | No 1, Circle Square | 3 Symphony Park | Manchester | M1 7FS Freephone: 0800 886 100 | Website: www.hilti.co.uk

LEGAL NOTICE: This template contains Hilti Intellectual Property, which is legally protected, including Community registration of Hilti trademarks. For use only by Hilti customers and in conjunction with Hilti products. No third-party use/products is authorised and breaches Hilti's intellectual property rights. Hilti accepts no responsibility for unauthorized use and reserves all rights to take legal action to enforce its rights in law.

	Product Hilti CFS-NVB Cavity Barrier	ID CFS-VB/NVB 23.v1
Information - Not to scale - All units are in millimetres - Products tested according EN 1366-4	Application CFS-NVB intersecting masonry bracket	Revision 01 Page 1/1



Construction details:

- Cavity barriers are suitable for masonry, concrete, SFS (fixed on frame or board).
- Barrier brackets are to be suitably fixed to the substrate with non-combustible fixings.
- Max barrier width of 130mm for screw fixation of the barrier directly to the base material.
- Masonry support brackets have been tested in different configurations and can sit at any height within the non-ventilated barrier.

Brackets


Barrier Length (mm)	≤ 250	251-1200
Number of Brackets	1	2

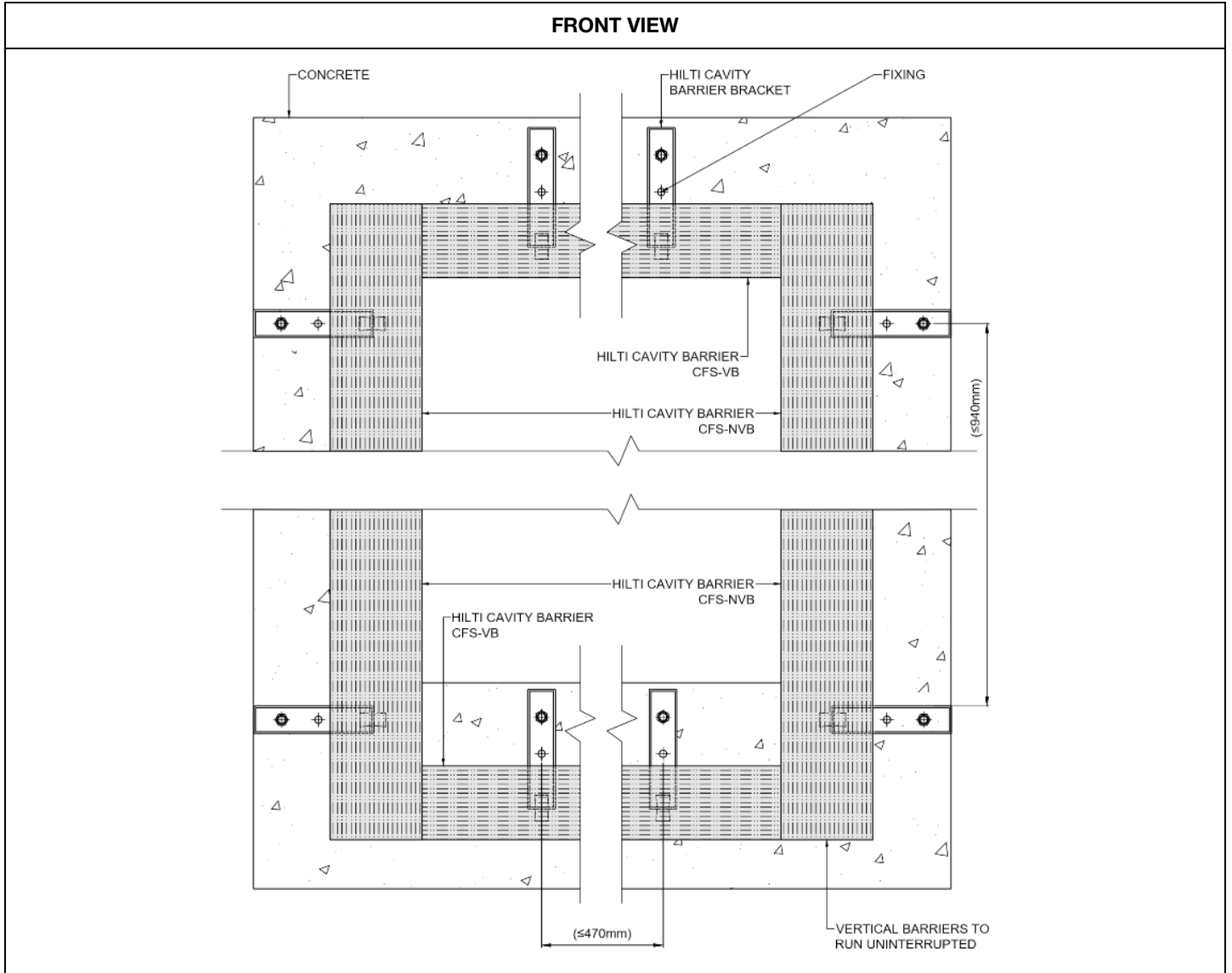
Brackets centres: ≤ 940mm

Product fire performance

Product	Integrity Rating (min)	Insulation Rating (min)
CFS-NVB E120	120	30

1. The application limits on this detail are for guidance purposes only. For more detailed information based on the full range of available test results please contact the Hilti Technical Advisory Service.
2. All installations should be carried out in accordance with Hilti's installation instructions and by competent & experienced installers using Hilti branded products.
3. All services are to be correctly and adequately supported to prevent collapse and distortion.

	Product Hilti CFS-VB & CFS-NVB Cavity Barriers	ID CFS-VB/NVB 24.v1
Information - Not to scale - All units are in millimetres - Products tested according ASFP TGD-19 or EN 1366-4	Application Installation of cavity barriers around windows	Revision 01 Page 1/2



Construction details:

- Cavity barriers are suitable for masonry, concrete, SFS (fixed on frame or board).
- Barriers brackets are to be suitably fixed to the substrate with non-combustible fixings.
- Max barrier width of 130mm for screw fixation of the barrier directly to the base material.
- Alternatively, non-ventilated barriers (CFS-NVB) can be used all around the windows and replace the ventilated horizontal ones.

Brackets


Ventilated Barrier

Barrier Length (mm)	≤ 250	251-600	601-1200
Number of Brackets	1	2	3

1. The application limits on this detail are for guidance purposes only. For more detailed information based on the full range of available test results please contact the Hilti Technical Advisory Service.
2. All installations should be carried out in accordance with Hilti's installation instructions and by competent & experienced installers using Hilti branded products.
3. All services are to be correctly and adequately supported to prevent collapse and distortion.

Hilti (Gt. Britain) Limited | No 1, Circle Square | 3 Symphony Park | Manchester | M1 7FS Freephone: 0800 886 100 | Website: www.hilti.co.uk

LEGAL NOTICE: This template contains Hilti Intellectual Property, which is legally protected, including Community registration of Hilti trademarks. For use only by Hilti customers and in conjunction with Hilti products. No third-party use/products is authorised and breaches Hilti's intellectual property rights. Hilti accepts no responsibility for unauthorized use and reserves all rights to take legal action to enforce its rights in law.

	Product Hilti CFS-VB & CFS-NVB Cavity Barriers	ID CFS-VB/NVB 24.v1
Information - Not to scale - All units are in millimetres - Products tested according ASFP TGD-19 or EN 1366-4	Application Installation of cavity barriers around windows	Revision 01 Page 2/2

Brackets centres: ≤ 470mm

Non-Ventilated Barrier

Barrier Length (mm)	≤ 250	251-1200
Number of Brackets	1	2

Brackets centres: ≤ 940mm

Product fire performance

Product	Max Air Gap (mm)	Void Range (mm)	Integrity Rating (min)	Insulation Rating (min)
CFS-VB E60 25mm	25	50-400	60	30
CFS-VB E60 50mm	50	75-400	60	30
CFS-VB E120 25mm	25	50-400	120	30
CFS-NVB E120	N/A	0-400	120	60 or 30*


*60 minutes insulation rating when installed with stainless steel brackets

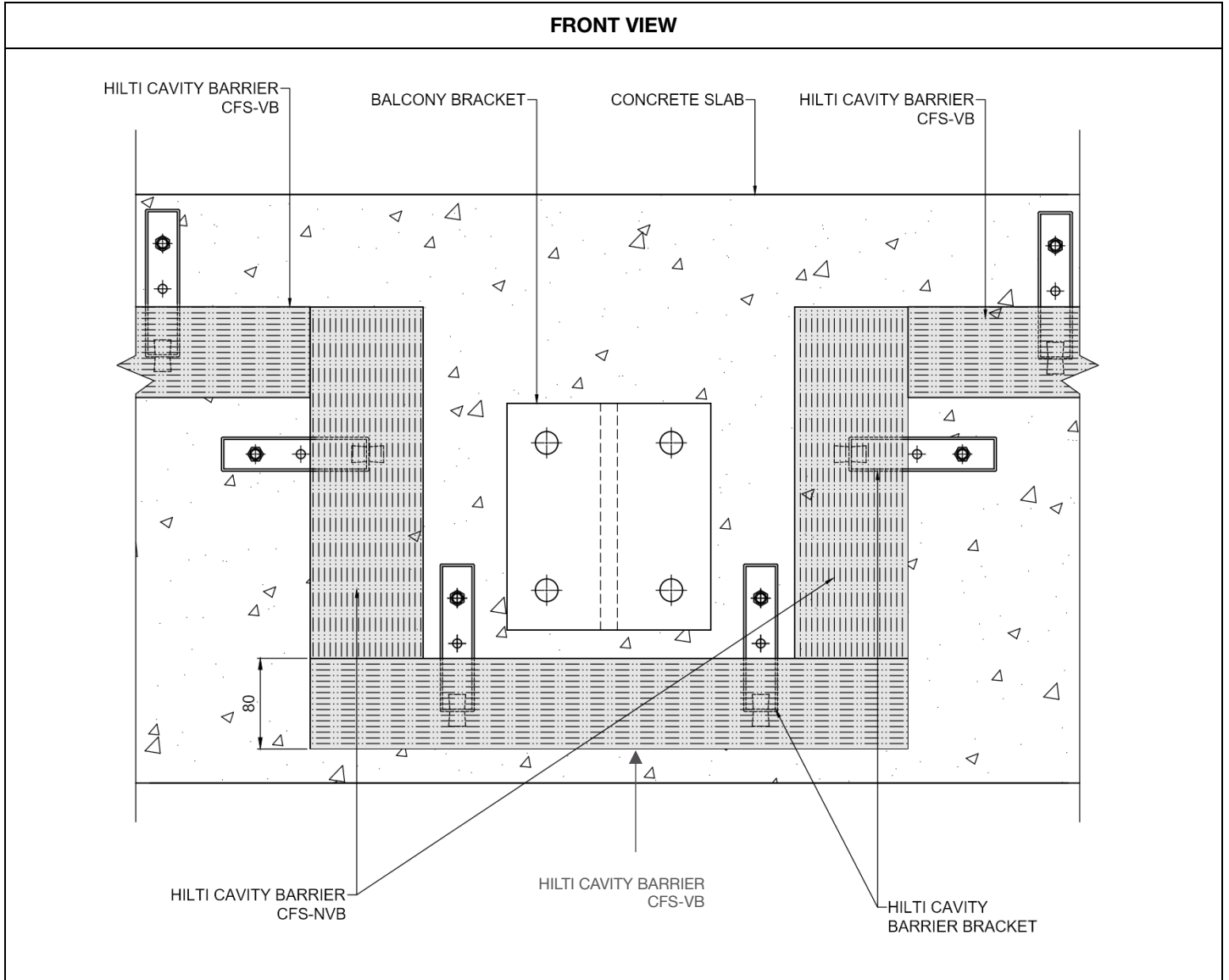
*30 minutes insulation rating when installed with galvanised steel brackets

1. The application limits on this detail are for guidance purposes only. For more detailed information based on the full range of available test results please contact the Hilti Technical Advisory Service.
2. All installations should be carried out in accordance with Hilti's installation instructions and by competent & experienced installers using Hilti branded products.
3. All services are to be correctly and adequately supported to prevent collapse and distortion.

Hilti (Gt. Britain) Limited | No 1, Circle Square | 3 Symphony Park | Manchester | M1 7FS Freephone: 0800 886 100 | Website: www.hilti.co.uk

LEGAL NOTICE: This template contains Hilti Intellectual Property, which is legally protected, including Community registration of Hilti trademarks. For use only by Hilti customers and in conjunction with Hilti products. No third-party use/products is authorised and breaches Hilti's intellectual property rights. Hilti accepts no responsibility for unauthorized use and reserves all rights to take legal action to enforce its rights in law.

	Product Hilti CFS-VB & CFS-NVB Cavity Barriers	ID CFS-VB/NVB 25.v1
Information - Not to scale - All units are in millimetres - Products tested according ASFP TGD-19 or EN 1366-4	Application Balcony bracket boxed out by cavity barriers	Revision 01 Page 1/2



Construction details:

- Cavity barriers are suitable for masonry, concrete, SFS (fixed on frame or board).
- Barriers brackets are to be suitably fixed to the substrate with non-combustible fixings.
- Max barrier width of 130mm for screw fixation of the barrier directly to the base material.

Brackets


Ventilated Barrier

Barrier Length (mm)	≤ 250	251-600	601-1200
Number of Brackets	1	2	3

1. The application limits on this detail are for guidance purposes only. For more detailed information based on the full range of available test results please contact the Hilti Technical Advisory Service.
2. All installations should be carried out in accordance with Hilti's installation instructions and by competent & experienced installers using Hilti branded products.
3. All services are to be correctly and adequately supported to prevent collapse and distortion.

Hilti (Gt. Britain) Limited | No 1, Circle Square | 3 Symphony Park | Manchester | M1 7FS Freephone: 0800 886 100 | Website: www.hilti.co.uk

LEGAL NOTICE: This template contains Hilti Intellectual Property, which is legally protected, including Community registration of Hilti trademarks. For use only by Hilti customers and in conjunction with Hilti products. No third-party use/products is authorised and breaches Hilti's intellectual property rights. Hilti accepts no responsibility for unauthorized use and reserves all rights to take legal action to enforce its rights in law.

	Product Hilti CFS-VB & CFS-NVB Cavity Barriers	ID CFS-VB/NVB 25.v1
Information - Not to scale - All units are in millimetres - Products tested according ASFP TGD-19 or EN 1366-4	Application Balcony bracket boxed out by cavity barriers	Revision 01
		Page 2/2

Brackets centres: ≤ 470mm

Non-Ventilated Barrier

Barrier Length (mm)	≤ 250	251-1200
Number of Brackets	1	2

Brackets centres: ≤ 940mm

Product fire performance

Product	Max Air Gap (mm)	Void Range (mm)	Integrity Rating (min)	Insulation Rating (min)
CFS-VB E60 25mm	25	50-400	60	30
CFS-VB E60 50mm	50	75-400	60	30
CFS-VB E120 25mm	25	50-400	120	30
CFS-NVB E120	N/A	0-400	120	60 or 30*

*60 minutes insulation rating when installed with stainless steel brackets

*30 minutes insulation rating when installed with galvanised steel brackets

1. The application limits on this detail are for guidance purposes only. For more detailed information based on the full range of available test results please contact the Hilti Technical Advisory Service.
2. All installations should be carried out in accordance with Hilti's installation instructions and by competent & experienced installers using Hilti branded products.
3. All services are to be correctly and adequately supported to prevent collapse and distortion.

Hilti (Gt. Britain) Limited | No 1, Circle Square | 3 Symphony Park | Manchester | M1 7FS Freephone: 0800 886 100 | Website: www.hilti.co.uk

LEGAL NOTICE: This template contains Hilti Intellectual Property, which is legally protected, including Community registration of Hilti trademarks. For use only by Hilti customers and in conjunction with Hilti products. No third-party use/products is authorised and breaches Hilti's intellectual property rights. Hilti accepts no responsibility for unauthorized use and reserves all rights to take legal action to enforce its rights in law.

APPENDIX

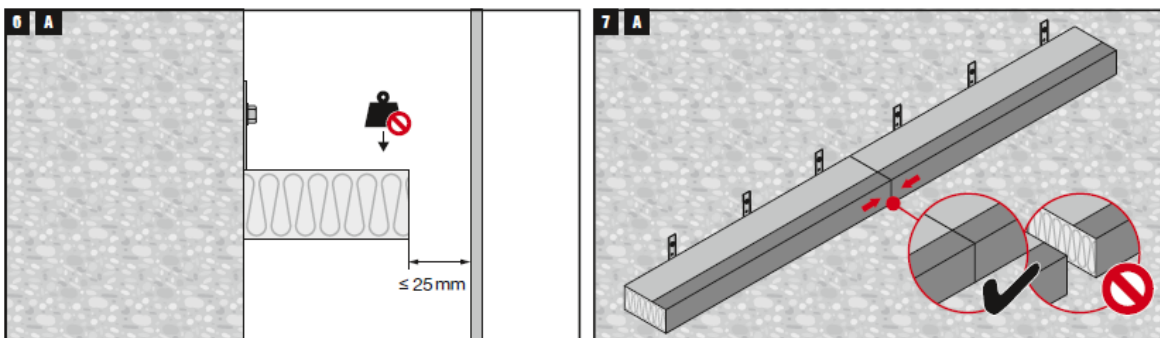
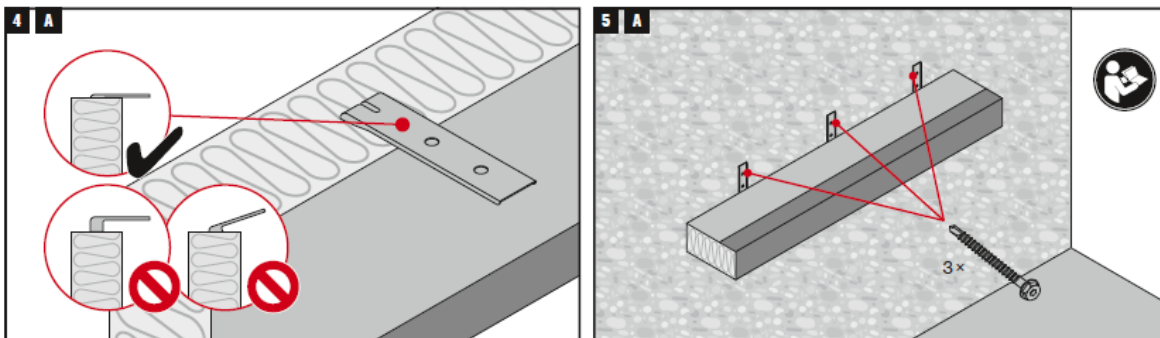
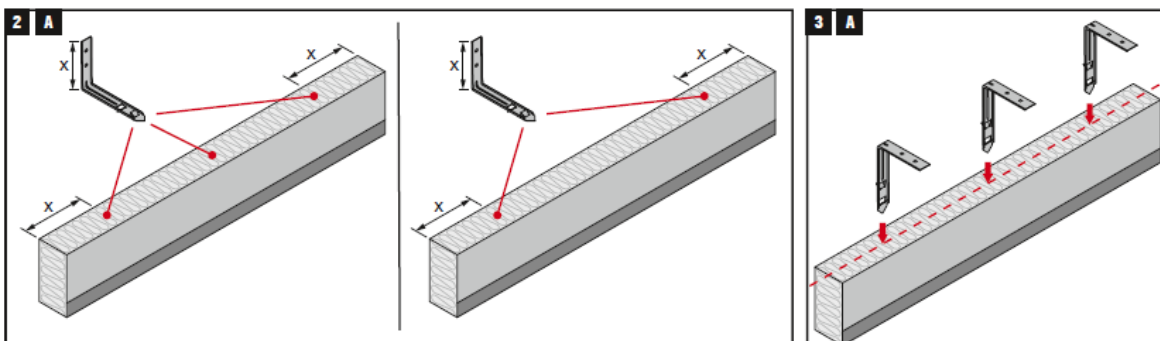
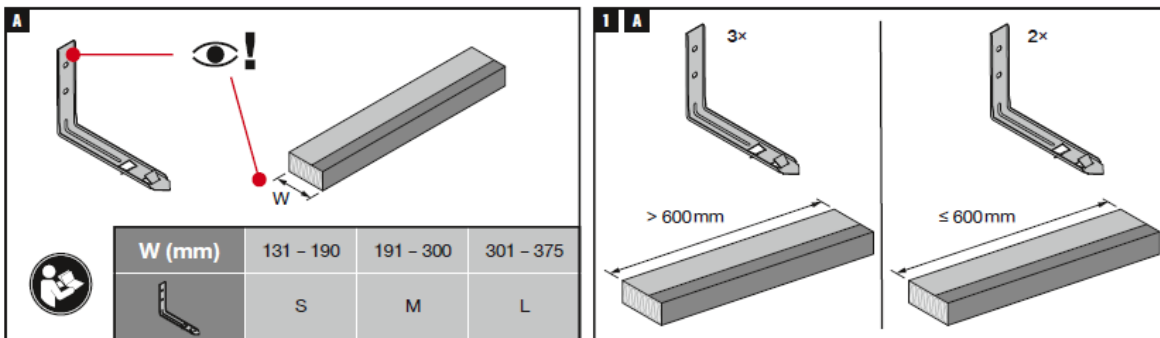
Operating instructions CFS-VB E60/E120 25mm


 CFS-VB E60 25mm
 CFS-VB E120 25mm

2398891-07.2024

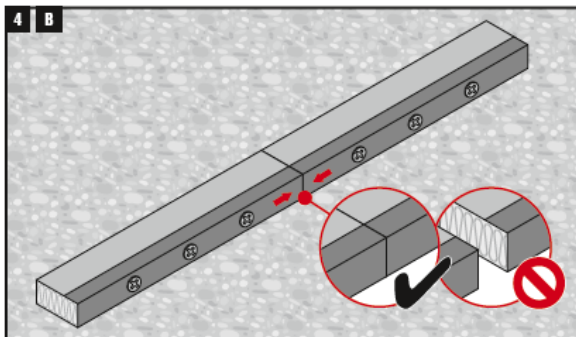
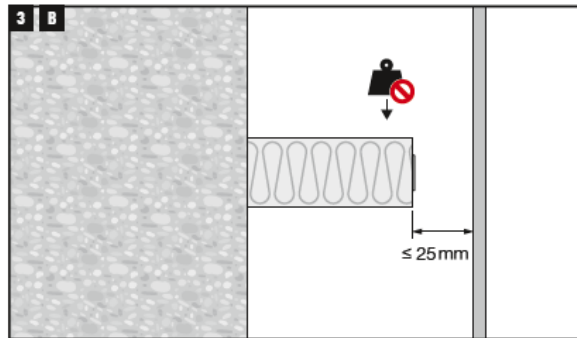
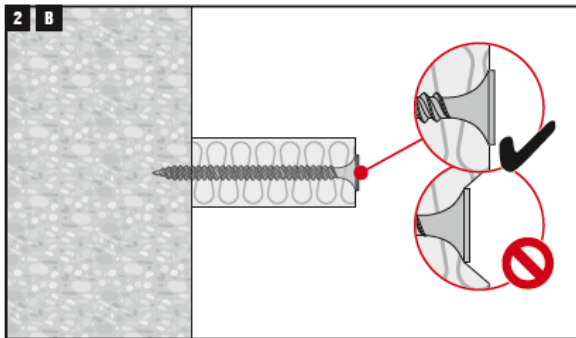
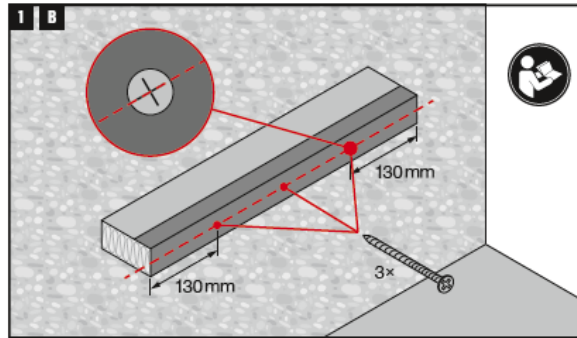
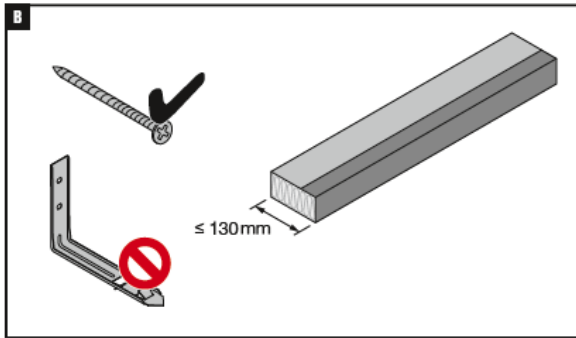


en Before handling and for specific application details, refer to Hilti product literature, 3rd party published listings and national approvals. For professional use only.
fr Avant toute utilisation et pour tout détail concernant une application, se référer à la documentation Hilti, à la liste de publications des tierces parties et aux approbations nationales. Seulement pour utilisateurs professionnels.
es Antes de usar y para detalles específicos de aplicación, véase la información que acompaña al producto Hilti, el listado publicado por terceros y las aprobaciones nacionales. Solamente para los usuarios profesionales.





CFS-VB E60 25 mm
CFS-VB E120 25 mm



Operating instructions CFS-VB E60 50mm

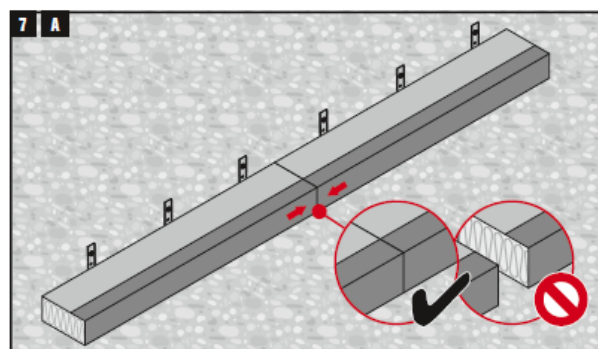
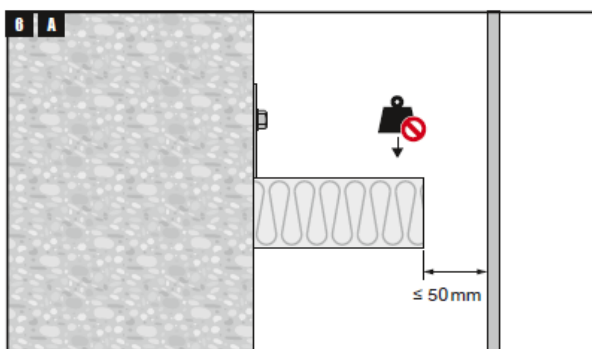
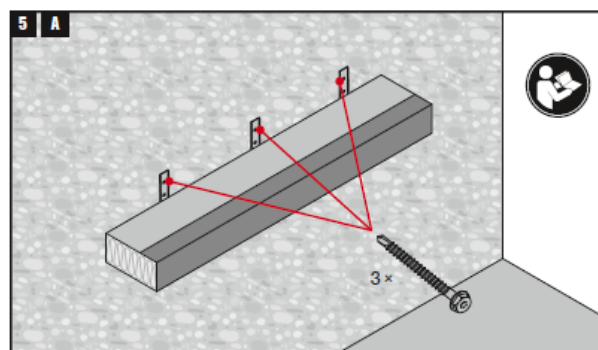
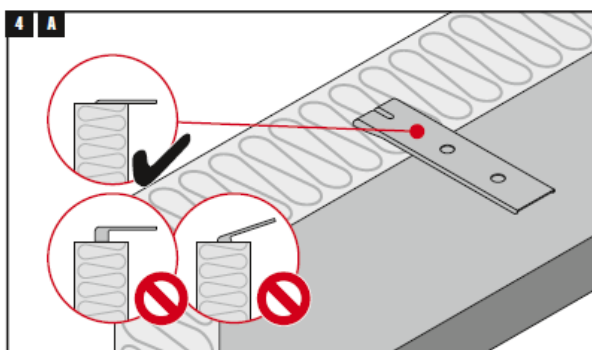
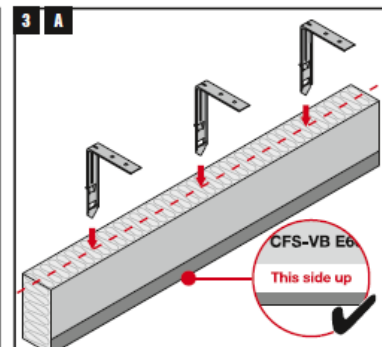
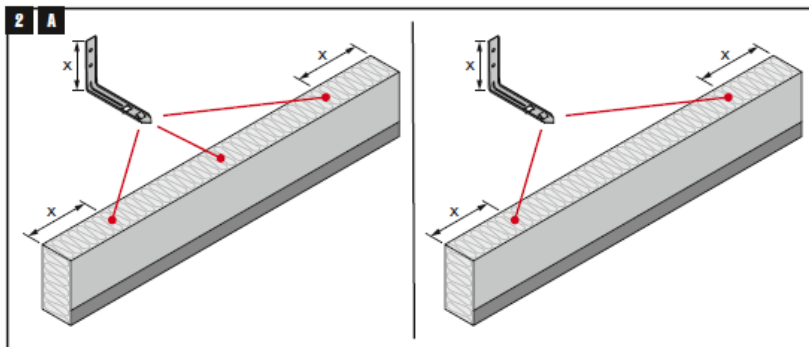
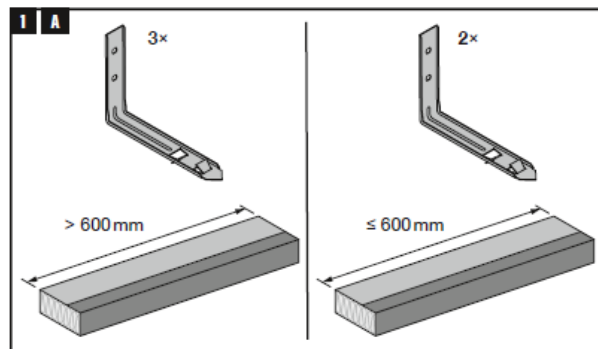
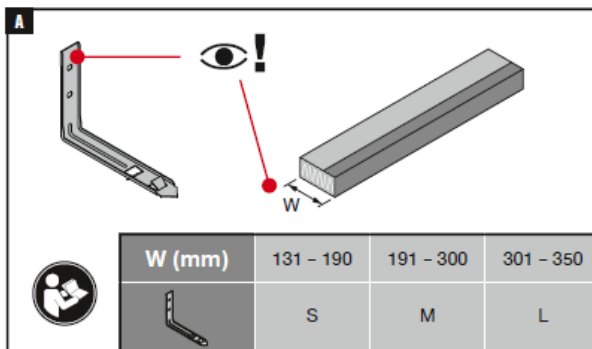


CFS-VB E60 50 mm

2417776-07.2024

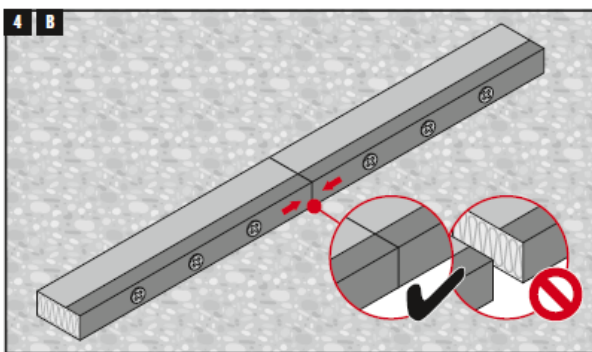
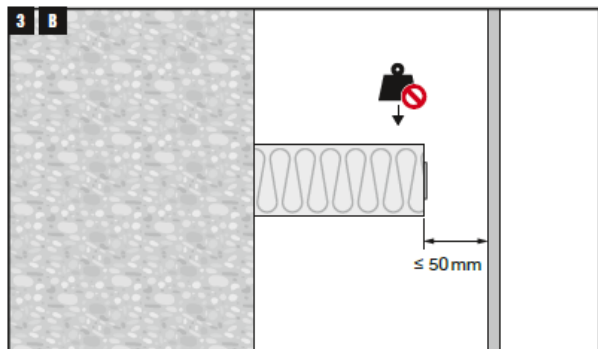
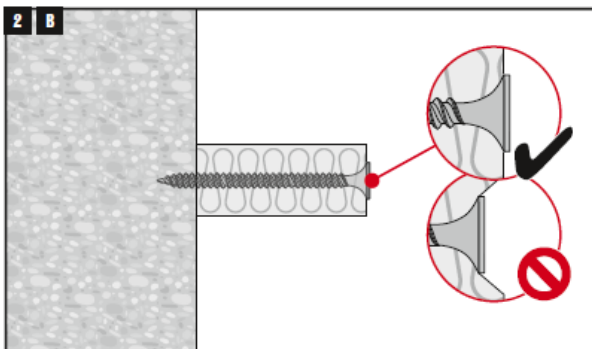
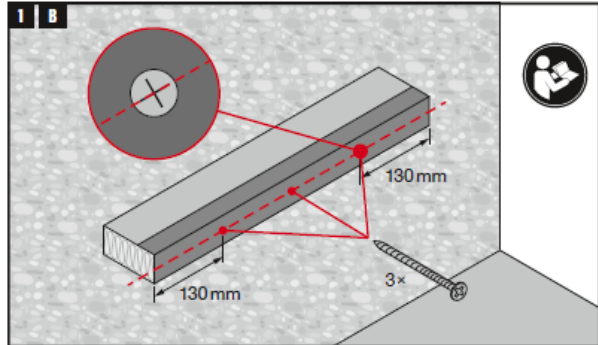
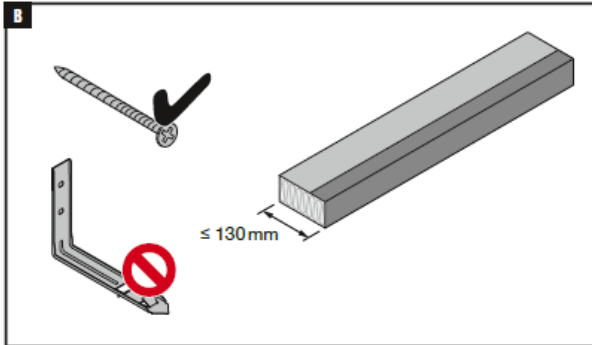


en Before handling and for specific application details, refer to Hilti product literature, 3rd party published listings and national approvals. For professional use only.
fr Avant toute utilisation et pour tout détail concernant une application, se référer à la documentation Hilti, à la liste de publications des tierces parties et aux approbations nationales. Seulement pour utilisateurs professionnels.
es Antes de usar y para detalles específicos de aplicación, véase la información que acompaña al producto Hilti, el listado publicado por terceros y las aprobaciones nacionales. Solamente para los usuarios profesionales.





/ CFS-VB E60 50 mm



Operating instructions CFS-NVB E120

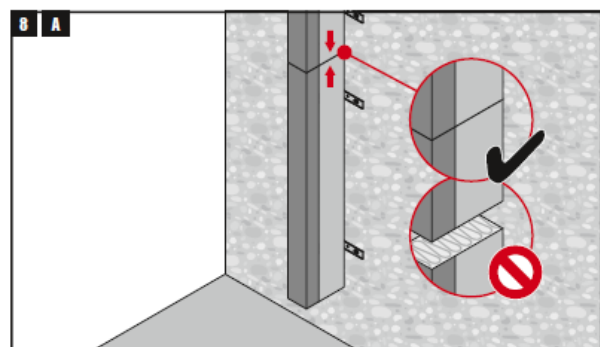
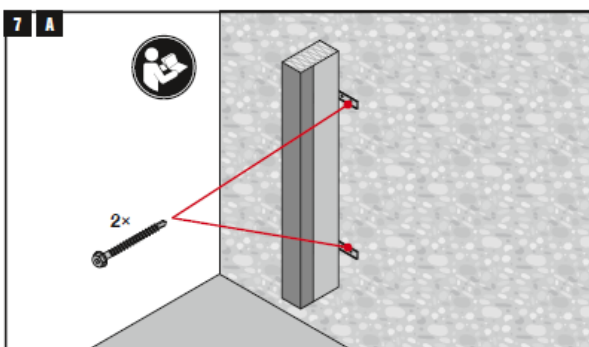
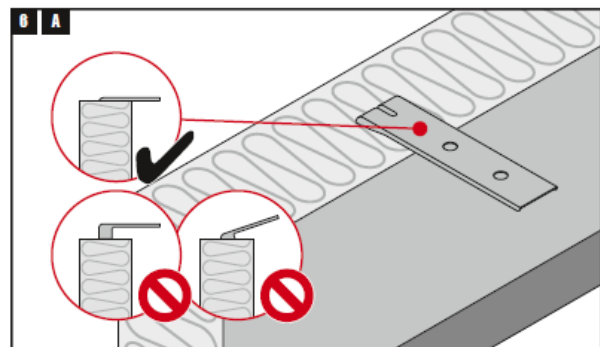
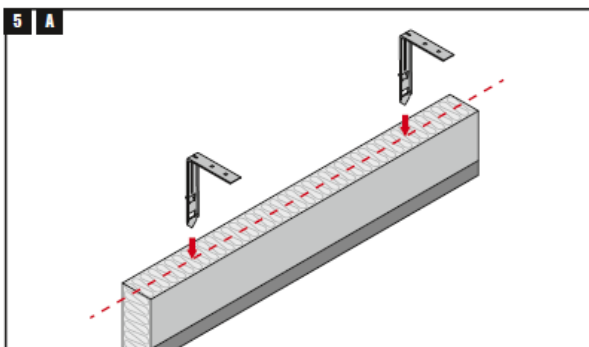
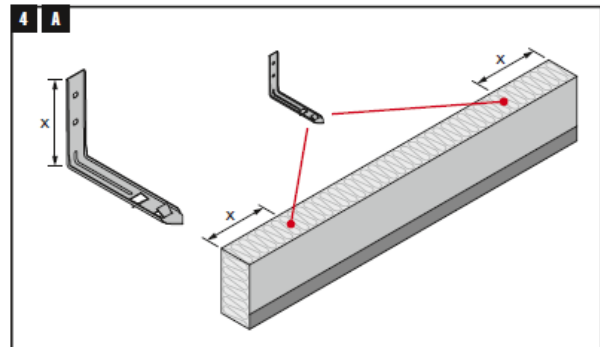
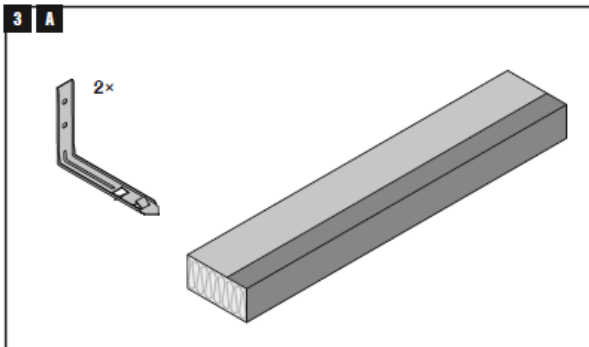
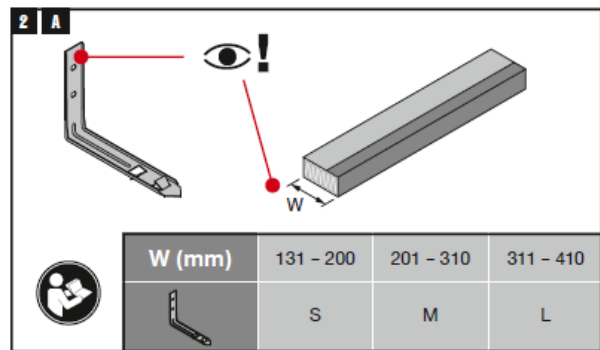
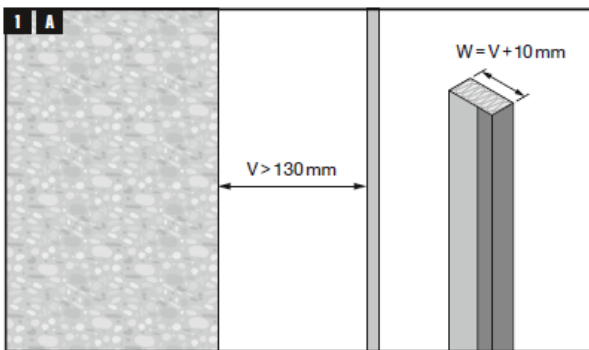
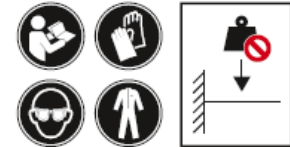


CFS-NVB E120

2398893-07.2024

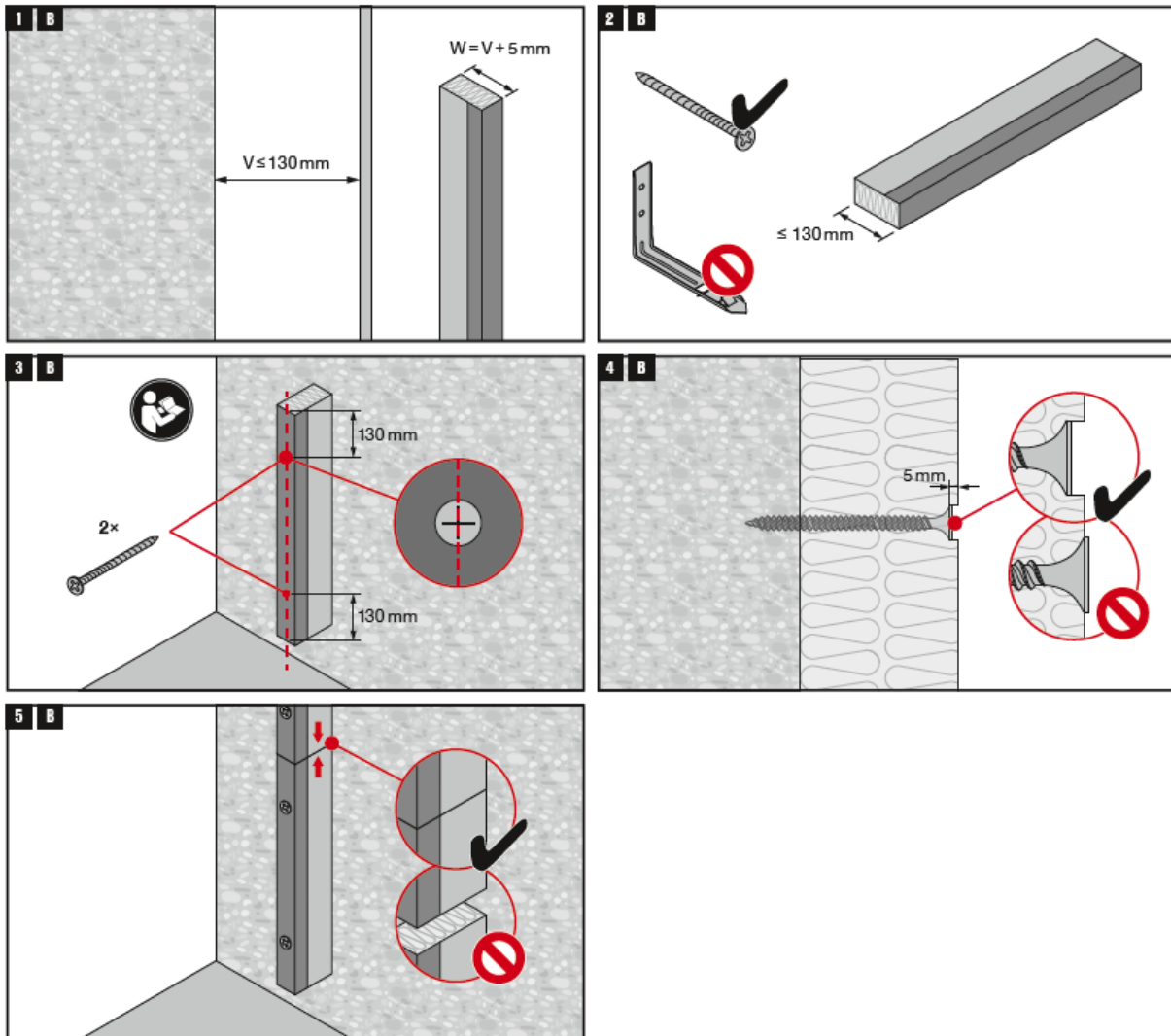


en Before handling and for specific application details, refer to Hilti product literature, 3rd party published listings and national approvals. For professional use only.
fr Avant toute utilisation et pour tout détail concernant une application, se référer à la documentation Hilti, à la liste de publications des tierces parties et aux approbations nationales. Seulement pour utilisateurs professionnels.
es Antes de usar y para detalles específicos de aplicación, véase la información que acompaña al producto Hilti, el listado publicado por terceros y las aprobaciones nacionales. Solamente para los usuarios profesionales.





/ CFS-NVB E120



Operating instructions CFS-NVB E120 FB

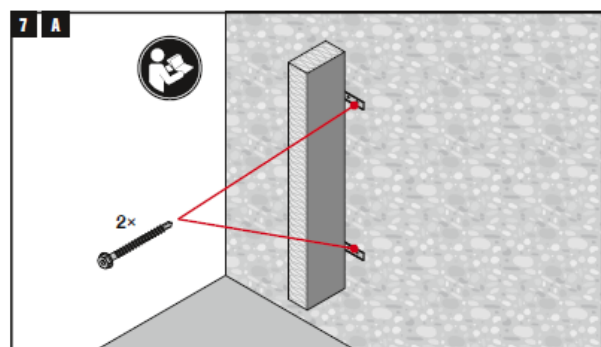
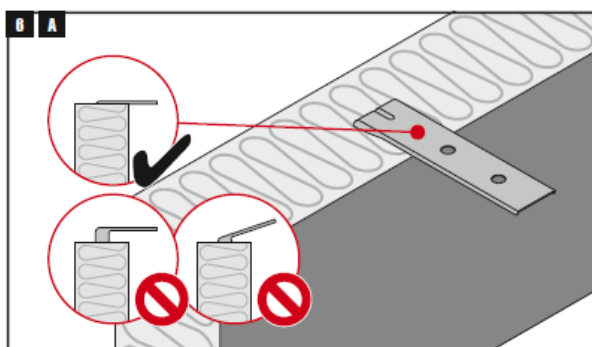
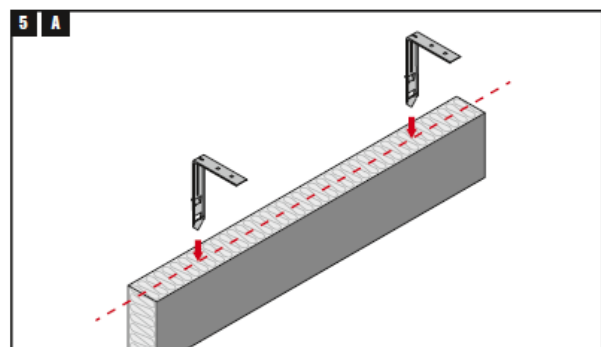
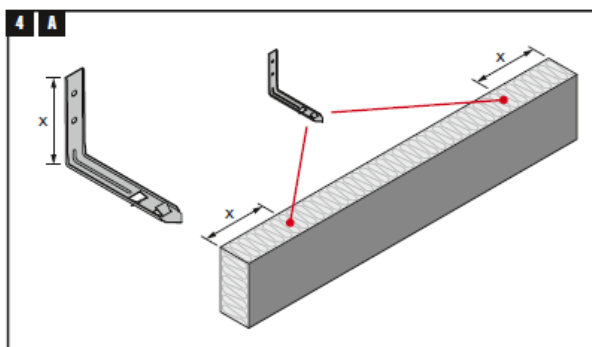
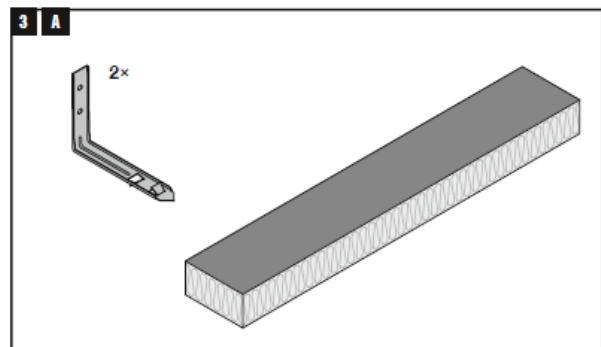
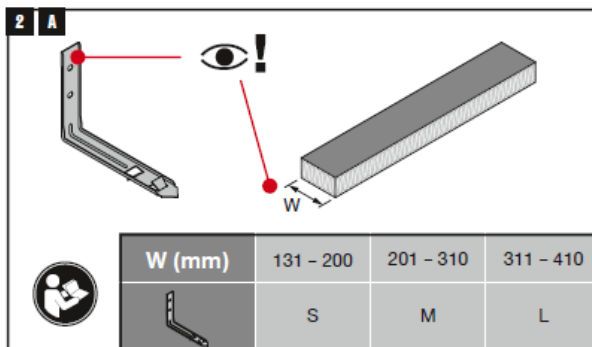
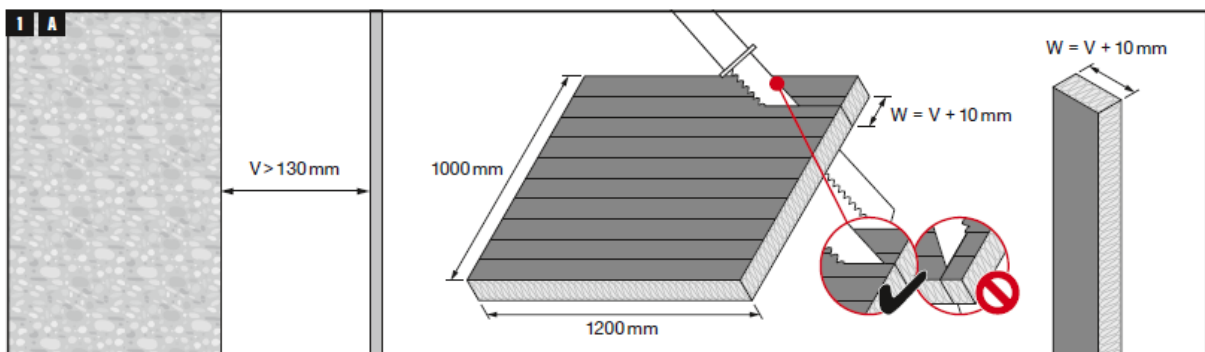


CFS-NVB E120 FB

2405624-07.2024

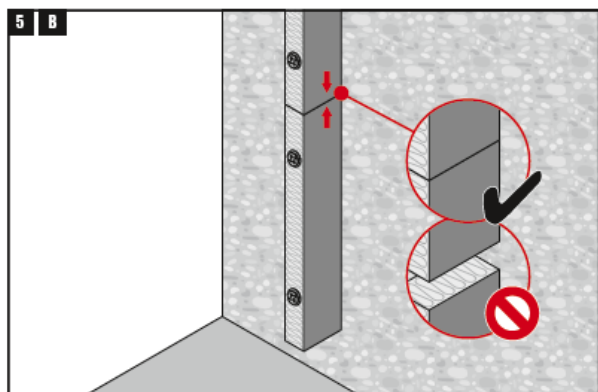
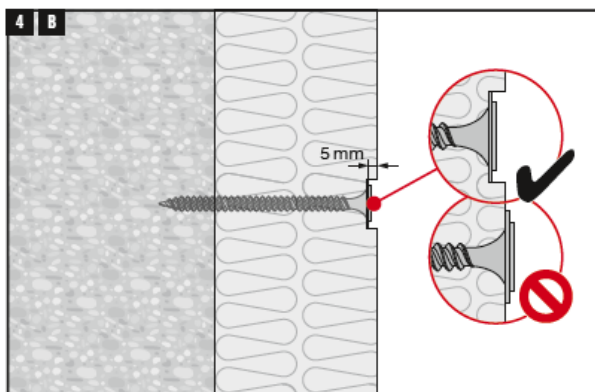
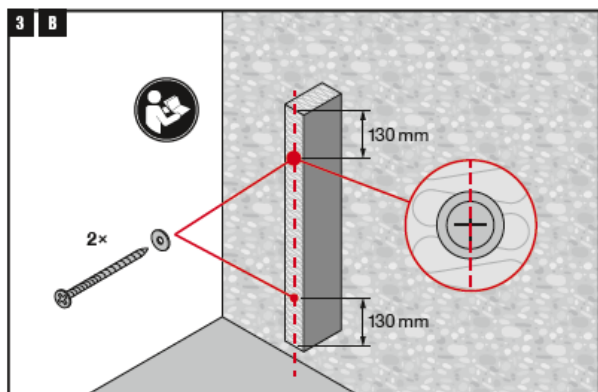
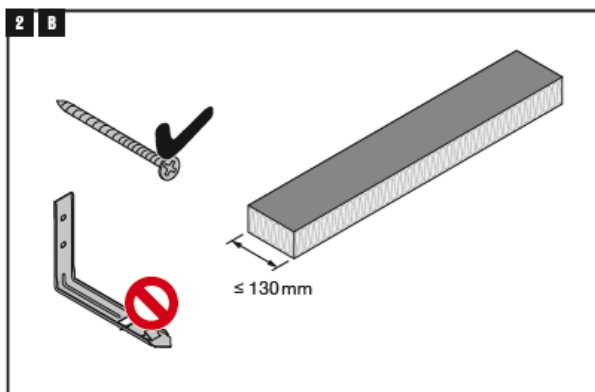
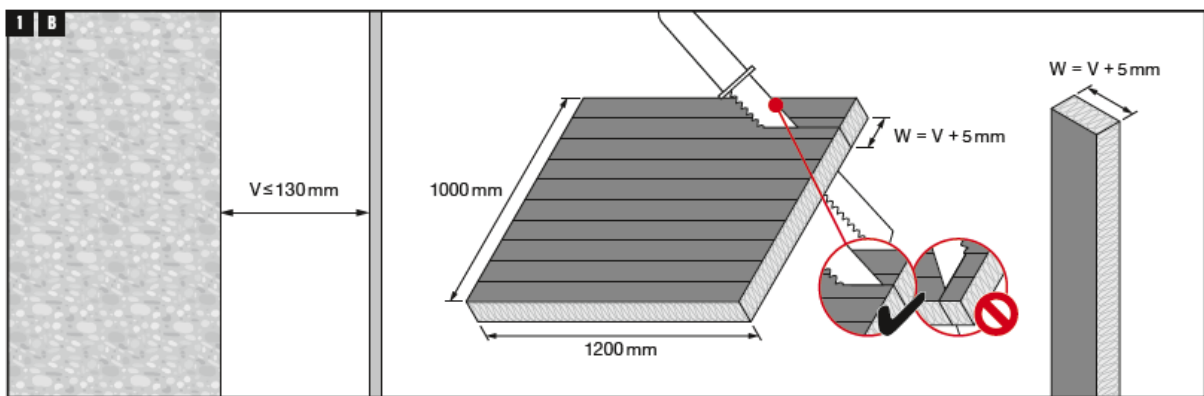
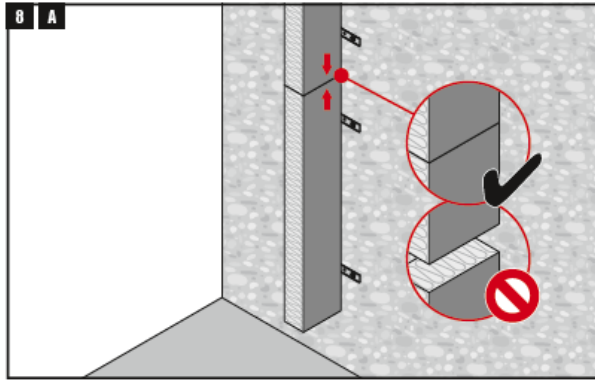


en Before handling and for specific application details, refer to Hilti product literature, 3rd party published listings and national approvals. For professional use only.
fr Avant toute utilisation et pour tout détail concernant une application, se référer à la documentation Hilti, à la liste de publications des tierces parties et aux approbations nationales. Seulement pour utilisateurs professionnels.
es Antes de usar y para detalles específicos de aplicación, véase la información que acompaña al producto Hilti, el listado publicado por terceros y las aprobaciones nacionales. Solamente para los usuarios profesionales.





/ CFS-NVB E120 FB





Hilti Aktiengesellschaft
9494 Schaan, Liechtenstein
P +423-234 2965

www.facebook.com/hiltigroup
www.hilti.group