



CP 680 N INT / S CAST-IN FIRESTOP COLLAR

Tested and assessed as per AS 1530.4 and AS 4072.1

- ✓ NCC compliant
- ✓ Quick and simple to install
- ✓ Easy to adjust pipes

Hilti CP 680 N INT / S Cast-in Firestop Collar is a one-step solution with an integrated smoke seal that may be used with a variety of pipe types including **uPVC, PE, HDPE, Valsir Silere, PP and PPR** penetrating through concrete slabs to achieve an FRL of up to -/240/240. It comes with a plastic lid to prevent rainwater from seeping in. Hilti CP 680 N INT / S comes in three sizes to accommodate pipes from 32mm to 160mm in diameter.

Features

- Durable plastic housing
- Easy to install
- Time saving
- Allows pipe adjustment and removal
- Mold and mildew resistant
- Impervious to smoke and gas

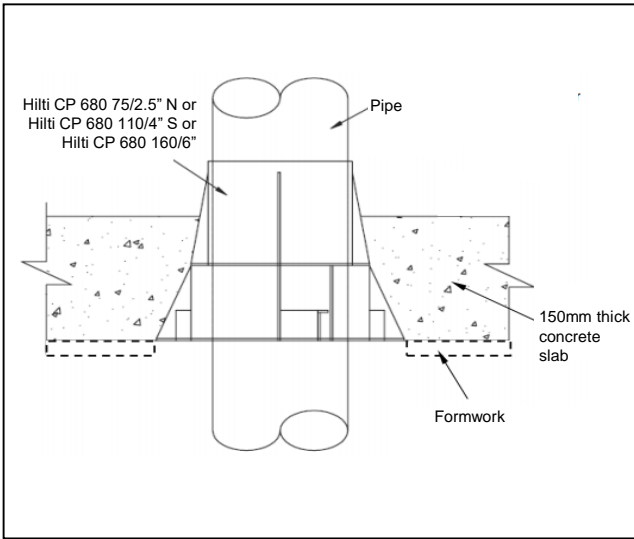
Technical Data

Colour	Red
Sizes Available	75/2.5" for 32-75mm Ø pipes 110/4" for 90-110mm Ø pipes 160/6" for 150-160mm Ø pipes
Height	254 mm
Housing Thickness	2 mm
Weight	0.42kg (75/2.5" Collar) 0.77 kg (110/4" Collar) 1.81 kg (160/6" Collar)
Expansion Temperature	210 °C
Expansion Ratio	Up to 1:19
Minimum Concrete Slab Thickness	120 mm

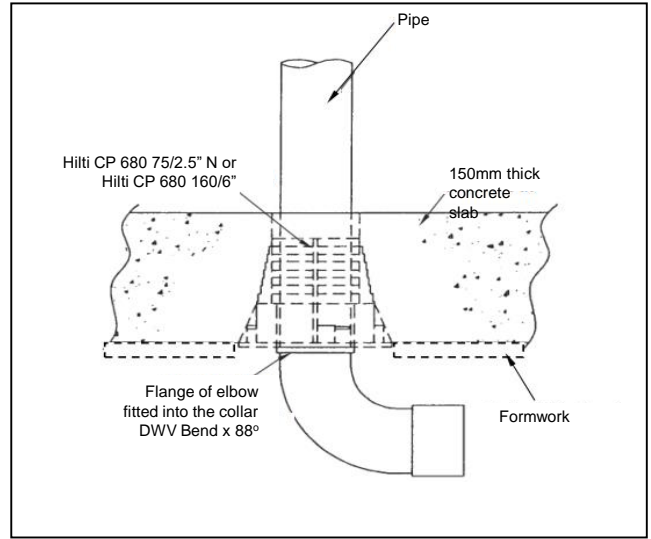


Pipe Type	Hilti CP 680		
	75/2.5"	110/4"	160/6"
uPVC	✓		✓
uPVC w/ flange of elbow fitted into the collar	✓		✓
PE	✓	✓	
HDPE	✓	✓	
Valsir Silere	✓	✓	
PP	✓	✓	
PPR	✓	✓	

TESTED CONFIGURATIONS

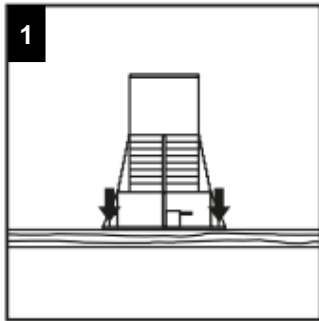


Stack pipes protected with Hilti CP 680 N INT/S

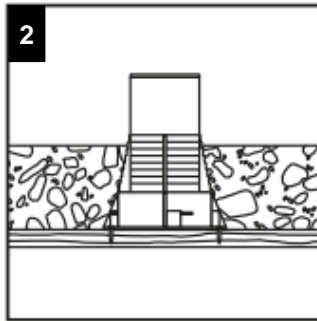


uPVC pipe w/ flange of elbow fitted Hilti CP 680 N INT/S

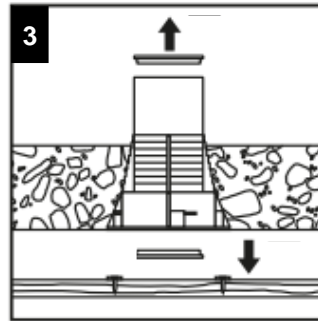
INSTRUCTIONS FOR USE



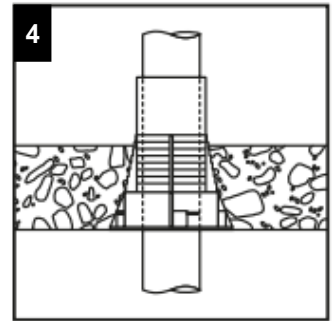
1 Place CP 680 N INT/S Firestop Collar in the desired position and fasten to the formwork.



2 Pour concrete and allow to cure.



3 Remove the formwork, and the plastic lid.



4 Slide the pipe into the CP 680 N INT/S Firestop Collar.

APPROVALS

Refer to the Regulatory Information Reports listed below on www.hilti.com.au for information on deemed-to-satisfy solutions using Hilti CP 680 N INT/S Cast-In Firestop Collars.

- RIR 35233700 Hilti CP 680 75/2.5" N
- RIR 36530900.1 Hilti CP 680 110/4" S
- RIR 35233800 Hilti CP 680 160/6" N

PAINTABILITY

Hilti CP 680 N INT/S must not be painted.

STORAGE & HANDLING

Hilti CP 680 N INT/S has no shelf life limitations. Store CP 680 N INT/S in a dry environment within a temperature range of -5 - 50 °C

HILTI ENGINEERING SERVICES

Are you planning your next project?
We are here to work together with you to help find the best solution.

Email us at AUTechnicalCentre@hilti.com or call us at 131 292.

