

HILTI

DD 110-D

Operating instructions

en

Mode d'emploi

fr

Manual de instrucciones

es

Brugsanvisning

da

Bruksanvisning

no

Bruksanvisning

sv

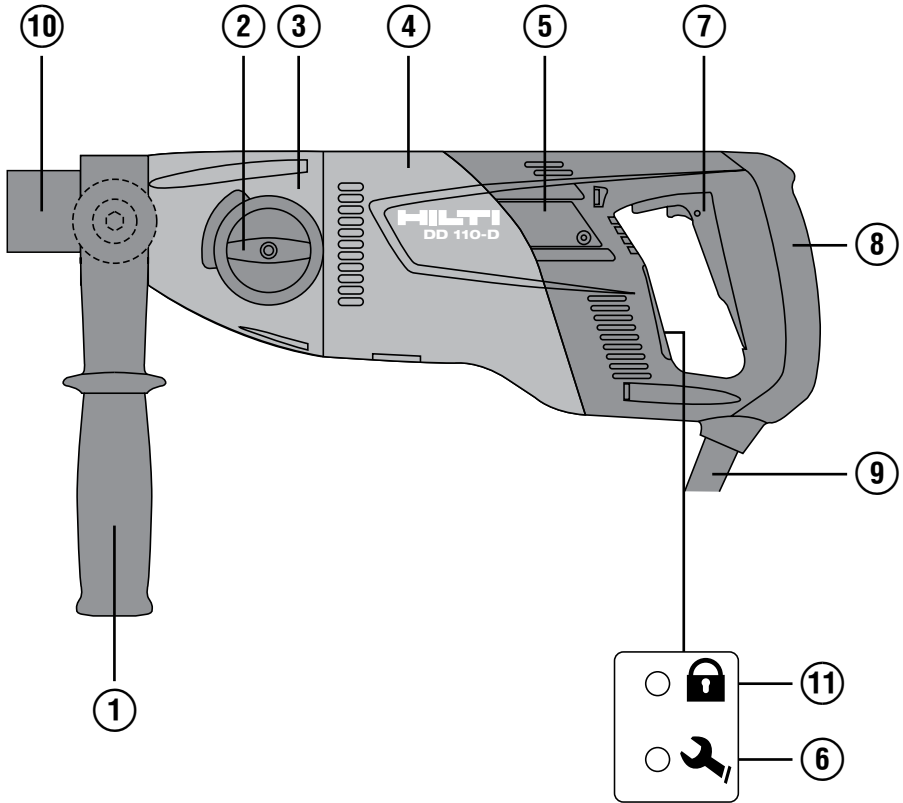
Käyttöohje

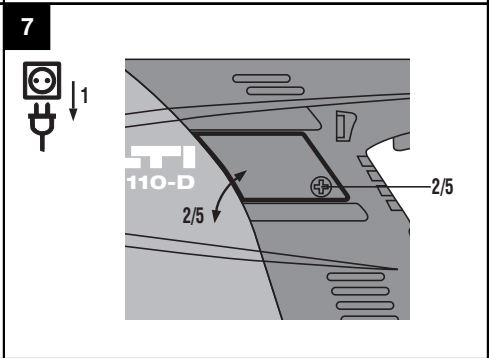
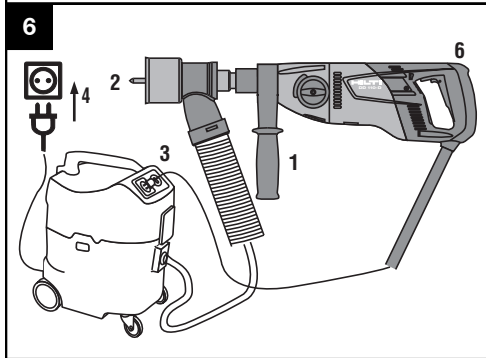
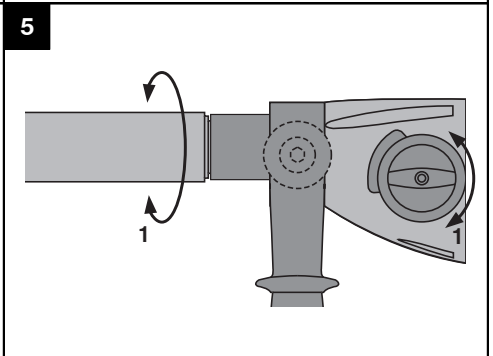
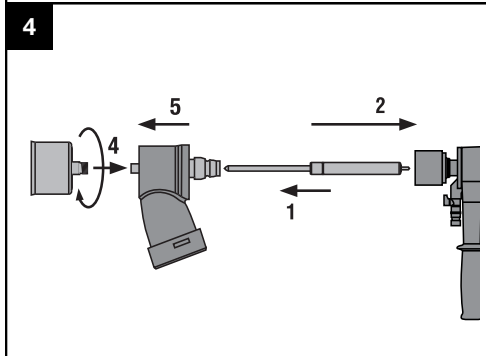
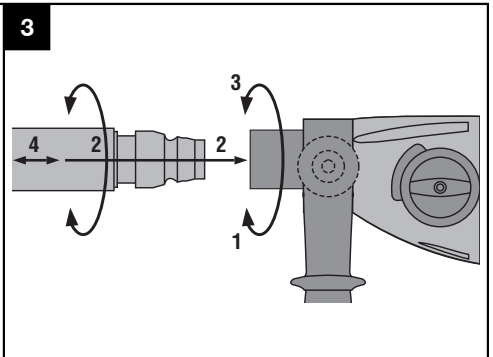
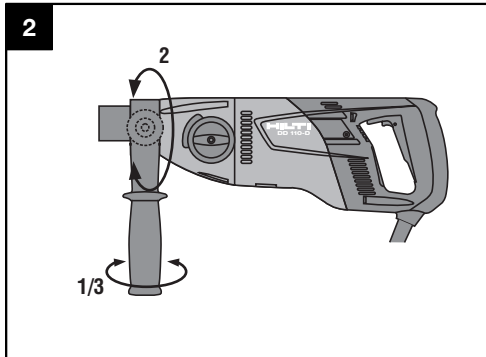
fi

Manual de instruções

pt







ORIGINAL OPERATING INSTRUCTIONS

DD 110-D diamond coring system

It is essential that the operating instructions are read before the machine is operated for the first time.

Always keep these operating instructions together with the machine.

Ensure that the operating instructions are with the machine when it is given to other persons.

Contents	Page
1 General information	1
2 Description	2
3 Accessories	4
4 Technical data	4
5 Safety instructions	5
6 Before use	8
7 Operation	9
8 Care and maintenance	12
9 Troubleshooting	12
10 Disposal	14
11 Manufacturer's warranty	14
12 EC declaration of conformity (original)	14

1 These numbers refer to the illustrations. You can find the illustrations at the beginning of the operating instructions.

In these operating instructions, the designation "the machine" always refers to the DD 110-D diamond core drilling machine.

Parts, operating controls and indicators **1**

DD 110-D diamond coring machine

- ① Side handle
- ② Gear selector
- ③ Gearing section
- ④ Motor
- ⑤ Carbon brush cover
- ⑥ Service indicator
- ⑦ On / off switch
- ⑧ Grip
- ⑨ Supply cord
- ⑩ Chuck
- ⑪ Optional: TPS

en

1 General information

1.1 Safety notices and their meaning

DANGER

Draws attention to imminent danger that will lead to serious bodily injury or fatality.

WARNING

Draws attention to a potentially dangerous situation that could lead to serious personal injury or fatality.

CAUTION

Draws attention to a potentially dangerous situation that could lead to slight personal injury or damage to the equipment or other property.

NOTE

Draws attention to an instruction or other useful information.

1.2 Explanation of the pictograms and other information

Warning signs



General warning



Warning: electricity



Warning: hot surface

Obligation signs



Wear eye protection.



Wear a hard hat.



Wear ear protection.



Wear protective gloves.



Wear breathing protection.



Wear safety shoes.



Read the operating instructions before use.

Symbols

/min

Revolutions per minute



Lock symbol



Equipped with theft protection system



Service indicator



Return materials for recycling

Location of identification data on the machine

The type designation and serial number can be found on the type identification plate on the machine. Make a note of this data in your operating instructions and always refer to it when making an enquiry to your Hilti representative or service department.

Type: _____

Serial no.: _____

2 Description

2.1 Use of the product as directed

The DD 110-D is an electrically-powered hand-held diamond coring machine designed for drilling in masonry with dry-cutting diamond core bits and diamond socket cutters.

The machine is not suitable for drilling in concrete or reinforced concrete.

Drilling into flammable materials (e.g. wood, magnesium) and/or materials that produce electrically-conductive dust is not permissible.

A suitable portable dust removal system, e.g. the Hilti VCU 40, VCU 40-M or VCD 50 vacuum cleaner, should be used with the machine whenever possible.

To avoid injury, use only genuine Hilti core bits and DD 110-D accessories.

Observe the safety rules and operating instructions for the accessories used.

Observe the information printed in the operating instructions concerning operation, care and maintenance.

The machine is designed for professional use and may be operated, serviced and maintained only by trained, authorized personnel. This personnel must be informed of any special hazards that may be encountered. The machine and its ancillary equipment may present hazards when used incorrectly by untrained personnel or when used not as directed.

The working environment may be as follows: construction site, workshop, renovation, conversion or new construction. The machine may be operated only when connected to a power supply providing a voltage and frequency in compliance with the information given on its type identification plate.

Working on materials hazardous to the health (e.g. asbestos) is not permissible.

Modification of the machine or tampering with its parts is not permissible.

2.2 Use of the system with various items of equipment

Type of hole drilled	Core bit diameters	Drilling direction	Material
Through-holes	16...162 mm ($\frac{5}{8}$ "... $6\frac{1}{2}$ ")	All directions	Masonry (e.g. sand-lime block, brick)
Blind holes / socket cutting	16...162 mm ($\frac{5}{8}$ "... $6\frac{1}{2}$ ")	All directions	Masonry (e.g. sand-lime block, brick)

en

2.3 Gears and corresponding core bit diameters

Gear	PCM core bits	HDM core bits	Speed under no load
1	42...162 mm ($1\frac{5}{8}$ " ... $6\frac{1}{2}$ ")	102...162 mm (4" ... $6\frac{1}{2}$ ")	650/min
2		16...87 mm ($\frac{5}{8}$ " ... $3\frac{1}{2}$ ")	1,380/min

2.4 TPS theft protection system (optional)

The machine may be optionally equipped with the TPS theft protection system. If equipped with this feature, the machine can be unlocked and made ready for operation only through use of the corresponding TPS key.

2.5 The items supplied as standard include:

- 1 Power tool with side handle and chuck
- 1 Operating instructions
- 1 Hilti toolbox or cardboard box

2.6 Using extension cords

Use only extension cords of a type approved for the application and with conductors of adequate gauge.

Recommended minimum conductor cross section and max. cable lengths

Conductor cross section	1.5 mm ²	2 mm ²	2.5 mm ²	3.5 mm ²
Mains voltage 100V	Not recommended	Not recommended	Not recommended	40 m
Mains voltage 110-120 V	Not recommended	Not recommended	30 m	
Mains voltage 220-240 V	30 m		50 m	

Do not use extension cords with 1.25 mm² conductors. Always use extension cords with an earth/ground conductor for machines equipped with a PRCD.

2.7 Using a generator or transformer

This machine may be powered by a generator or transformer when the following conditions are fulfilled: The unit must provide a power output in watts of at least twice the value printed on the type identification plate on the machine. The operating voltage must remain within +5% and -15% of the rated voltage at all times, frequency must be in the 50 – 60 Hz range and never above 65 Hz, and the unit must be equipped with automatic voltage regulation and starting boost.

NOTE

Switching other machines or appliances on and off can cause undervoltage and/or overvoltage peaks which could damage the machine. Never operate other machines from the generator/transformer at the same time.

3 Accessories

Designation	Item number, description
TPS theft protection system with company card, company remote and TPS-K key	Option
Dust removal system	315773
M16 chuck	315774
BI+ chuck	315791
BR chuck	315792
BT chuck	315793
Key chuck	315794
Keyless chuck	315795
M27 connection end for core bits	315805
BI+ connection end for socket cutters	315806
M27 connection end for core bits	315807
BI+ connection end for core bits	315824
Side handle	315825
Dust removal attachment with BI+ connection end for core bits	315826
Dust removal attachment with M27 connection end for core bits	315827
Dust removal attachment with BI+ connection end for socket cutters	315828
Dust removal attachment with M27 connection end for socket cutters	331621
Socket cutter hole-starting aid	281318
BI+ socket cutter hole-starting aid	209661

4 Technical data

Right of technical changes reserved.

Other information about the machine

Dimensions (L x W x H)	446 mm x 120 mm x 170 mm
Weight in accordance with EPTA procedure 01/2003	5.1 kg
Protection class	II
Protection class with PRCD	I

NOTE

The machine is available in various voltage ratings. Please refer to the machine's type identification plate for details of its rated voltage and rated input power.

Rated voltage [V]	100	110	110	120	220	230	240
Mains frequency [Hz]	50...60	50	60	60	50/60	50...60	50
Rated power [W]	1,450	1,600	1,570		1,600	1,600	1,600

Rated voltage [V]	100	110	110	120	220	230	240
Rated current [A]	15	15.4	15	14.1	7.7	7.4	7.1
Rated speed under no load, 1st gear [/min]	650	650	650	650	650	650	650
Rated speed under no load, 2nd gear [/min]	1,380	1,380	1,380	1,380	1,380	1,380	1,380

NOTE

The vibration emission level given in this information sheet has been measured in accordance with a standardised test given in EN 60745 and may be used to compare one tool with another. It may be used for a preliminary assessment of exposure. The declared vibration emission level represents the main applications of the tool. However if the tool is used for different applications, with different accessories or poorly maintained, the vibration emission may differ. This may significantly increase the exposure level over the total working period. An estimation of the level of exposure to vibration should also take into account the times when the tool is switched off or when it is running but not actually doing the job. This may significantly reduce the exposure level over the total working period. Identify additional safety measures to protect the operator from the effects of vibration such as: maintain the tool and the accessories, keep the hands warm, organisation of work patterns.

Noise information (measured in accordance with EN 60745-2-1):

Typical A-weighted sound power level	95 dB (A)
Typical A-weighted sound pressure level	84 dB (A)
Uncertainty for the given sound level	3 dB (A)

Additional information in accordance with EN 60745-1, triaxial vibration values (vibration vector sum)

Drilling in sand-lime block (dry) with PCM core bit, $a_{h, DD}$	12 m/s ²
Drilling in sand-lime block (dry) with HDM core bit, $a_{h, DD}$	5.8 m/s ²
Uncertainty (K)	1.5 m/s ²

5 Safety instructions

5.1 General Power Tool Safety Warnings

a) WARNING

Read all safety warnings and all instructions. Failure to follow the warnings and instructions may result in electric shock, fire and/or serious injury. **Save all warnings and instructions for future reference.** The term "power tool" in the warnings refers to your mains-operated (corded) power tool or battery-operated (cordless) power tool.

5.1.1 Work area safety

- Keep work area clean and well lit.** Cluttered or dark areas invite accidents.
- Do not operate power tools in explosive atmospheres, such as in the presence of flammable**

liquids, gases or dust. Power tools create sparks which may ignite the dust or fumes.

- Keep children and bystanders away while operating a power tool.** Distractions can cause you to lose control.

5.1.2 Electrical safety

- Power tool plugs must match the outlet. Never modify the plug in any way. Do not use any adapter plugs with earthed (grounded) power tools.** Unmodified plugs and matching outlets will reduce risk of electric shock.
- Avoid body contact with earthed or grounded surfaces, such as pipes, radiators, ranges and refrigerators.** There is an increased risk of electric shock if your body is earthed or grounded.

- c) **Do not expose power tools to rain or wet conditions.** Water entering a power tool will increase the risk of electric shock.
- d) **Do not abuse the cord. Never use the cord for carrying, pulling or unplugging the power tool. Keep cord away from heat, oil, sharp edges or moving parts.** Damaged or entangled cords increase the risk of electric shock.
- e) **When operating a power tool outdoors, use an extension cord suitable for outdoor use.** Use of a cord suitable for outdoor use reduces the risk of electric shock.
- f) **If operating a power tool in a damp location is unavoidable, use a residual current device (RCD) protected supply.** Use of an RCD reduces the risk of electric shock.

5.1.3 Personal safety

- a) **Stay alert, watch what you are doing and use common sense when operating a power tool. Do not use a power tool while you are tired or under the influence of drugs, alcohol or medication.** A moment of inattention while operating power tools may result in serious personal injury.
- b) **Use personal protective equipment. Always wear eye protection.** Protective equipment such as dust mask, non-skid safety shoes, hard hat, or hearing protection used for appropriate conditions will reduce personal injuries.
- c) **Prevent unintentional starting. Ensure the switch is in the off-position before connecting to power source and/or battery pack, picking up or carrying the tool.** Carrying power tools with your finger on the switch or energising power tools that have the switch on invites accidents.
- d) **Remove any adjusting key or wrench before turning the power tool on.** A wrench or a key left attached to a rotating part of the power tool may result in personal injury.
- e) **Do not overreach. Keep proper footing and balance at all times.** This enables better control of the power tool in unexpected situations.
- f) **Dress properly. Do not wear loose clothing or jewellery. Keep your hair, clothing and gloves away from moving parts.** Loose clothes, jewellery or long hair can be caught in moving parts.
- g) **If devices are provided for the connection of dust extraction and collection facilities, ensure these are connected and properly used.** Use of dust collection can reduce dust-related hazards.

5.1.4 Power tool use and care

- a) **Do not force the power tool. Use the correct power tool for your application.** The correct power tool will do the job better and safer at the rate for which it was designed.
- b) **Do not use the power tool if the switch does not turn it on and off.** Any power tool that cannot be controlled with the switch is dangerous and must be repaired.
- c) **Disconnect the plug from the power source and/or the battery pack from the power tool**

before making any adjustments, changing accessories, or storing power tools. Such preventive safety measures reduce the risk of starting the power tool accidentally.

- d) **Store idle power tools out of the reach of children and do not allow persons unfamiliar with the power tool or these instructions to operate the power tool.** Power tools are dangerous in the hands of untrained users.
- e) **Maintain power tools. Check for misalignment or binding of moving parts, breakage of parts and any other condition that may affect the power tool's operation. If damaged, have the power tool repaired before use.** Many accidents are caused by poorly maintained power tools.
- f) **Keep cutting tools sharp and clean.** Properly maintained cutting tools with sharp cutting edges are less likely to bind and are easier to control.
- g) **Use the power tool, accessories and tool bits etc. in accordance with these instructions, taking into account the working conditions and the work to be performed.** Use of the power tool for operations different from those intended could result in a hazardous situation.

5.1.5 Service

- a) **Have your power tool serviced by a qualified repair person using only identical replacement parts.** This will ensure that the safety of the power tool is maintained.

5.2 Drill safety warnings

- a) **Wear ear protectors when impact drilling.** Exposure to noise can cause hearing loss.
- b) **Use auxiliary handle(s), if supplied with the tool.** Loss of control can cause personal injury.
- c) **Hold power tool by insulated gripping surfaces, when performing an operation where the cutting accessory may contact hidden wiring or its own cord.** Cutting accessory contacting a "live" wire may make exposed metal parts of the power tool "live" and could give the operator an electric shock.

5.3 Additional safety rules

5.3.1 Personal safety

- a) **During hand-held use, always hold the machine securely with both hands on the grips provided. Keep the grips dry, clean and free from oil and grease.**
- b) **Respiratory protection must be worn if the machine is used without a dust extraction system for work that creates dust.**
- c) **Improve the blood circulation in your fingers by relaxing your hands and exercising your fingers during breaks between working.**
- d) **Avoid touching rotating parts. Switch the power tool on only after bringing it into position at the workpiece.** Touching rotating parts, especially rotating drill bits, discs or blades, etc. may lead to injury.

- e) **When working, always lead the supply cord, the extension cord and the vacuum cleaner hose (if applicable) away from the machine to the rear.** This will reduce the risk of tripping and falling over the cord or hose while working.
- f) **Children must be instructed not to play with the machine.**
- g) **The machine is not intended for use by children, by debilitated persons or those who have received no instruction or training.**
- h) Dust from material such as paint containing lead, some wood species, minerals and metal may be harmful. Contact with or inhalation of the dust may cause allergic reactions and/or respiratory diseases to the operator or bystanders. Certain kinds of dust are classified as carcinogenic such as oak and beech dust especially in conjunction with additives for wood conditioning (chromate, wood preservative). Material containing asbestos must only be treated by specialists. **Where the use of a dust extraction device is possible it shall be used. To achieve a high level of dust collection, use a suitable vacuum cleaner of the type recommended by Hilti for wood dust and/or mineral dust together with this tool. Ensure that the workplace is well ventilated. The use of a dust mask of filter class P2 is recommended. Follow national requirements for the materials you want to work with.**

5.3.2 Power tool use and care

- a) **Secure the workpiece. Use clamps or a vice to secure the workpiece.** The workpiece is thus held more securely than by hand and both hands remain free to operate the machine.
- b) **Check that the core bits used are compatible with the chuck system and that they are secured in the chuck correctly.**
- c) **Switch the machine off and unplug the supply cord in the event of a power failure or interruption in the electric supply.** This will prevent accidental restarting when the electric power returns.

5.3.3 Electrical safety

- a) **Before beginning work, check the working area (e.g. using a metal detector) to ensure that no concealed electric cables or gas and water pipes are present.** External metal parts of the machine may become live, for example, when an electric cable is damaged accidentally. This presents a serious risk of electric shock.

- b) **If a PRCD is supplied with the power tool, never operate the power tool without the PRCD connected (for GB versions, never operate without an isolating transformer). Test the PRCD each time before use.**
- c) **Check the machine's supply cord at regular intervals and have it replaced by a qualified specialist if found to be damaged. If the machine's supply cord is damaged it must be replaced with a special approved, ready-made supply cord available from Hilti Customer Service. Check extension cords at regular intervals and replace them if found to be damaged. Do not touch the supply cord or extension cord if damaged while working. Unplug the supply cord from the power outlet. Damaged supply cords or extension cords present a risk of electric shock.**
- d) **When working outdoors with an electric tool or machine, check to ensure that the tool or machine is connected to the electric supply by way of a ground fault circuit interrupter (RCD) with a rating of max. 30 mA (tripping current). Use of a ground fault circuit interrupter reduces the risk of electric shock.**
- e) **Use of a ground fault circuit interrupter (RCD residual current device) with a maximum tripping current of 30 mA is recommended.**

5.3.4 Work area

- a) **Ensure that the workplace is well ventilated.** Exposure to dust at a poorly ventilated workplace may result in damage to the health.
- b) **Connect a dust removal system if the work creates dust. Drilling in materials hazardous to the health (e.g. asbestos) is not permissible.**

5.3.5 Personal protective equipment



The operator and bystanders must wear suitable protective glasses, a hard hat, ear protectors, protective gloves and safety footwear while the machine is in use. Respiratory protection must be worn if the work creates dust.

6 Before use



en

CAUTION

The mains voltage must comply with the specification given on the type identification plate. Ensure that the power tool is disconnected from the electric supply.

DANGER

When drilling through walls, cover the area behind the wall, as material or the core may fall out on the other side of the wall. When drilling through ceilings, secure (cover) the area below as drilled material or the core may drop out and fall down.

CAUTION

Do not transport the machine while it is connected to the electric supply. Disconnect the supply cord plug from the power outlet.

6.1 Positioning the side handle 2

CAUTION

Disconnect the supply cord plug from the power outlet.

1. Release the side handle clamping band by turning the handle counterclockwise.
2. Pivot the side handle into the desired position.
3. Secure the side handle by turning the grip clockwise.

6.2 Fitting the diamond core bit 3



DANGER

Do not use damaged core bits. Check the core bits for chipping, cracks, or heavy wear each time before use. Do not use damaged tools. Fragments of the workpiece or a broken core bit may be ejected and cause injury beyond the immediate area of operation.

NOTE

Diamond core bits must be replaced when the cutting performance and/or rate of drilling progress drops significantly. This generally is the case when the segments reach a height of less than 2 mm.

CAUTION

To avoid injury, use only genuine Hilti core bits and DD 110-D accessories. If using a machine with a BI+ chuck, only genuine Hilti core bits may be used with it.

CAUTION

The core bit may get hot during use or during sharpening. There is a risk of burning your hands. **Wear protective gloves when changing the core bit.**

CAUTION

Disconnect the supply cord plug from the power outlet.

CAUTION

Check that the hole-starting aid is securely positioned in the core bit.

CAUTION

When using the hole-starting aid, allow the machine to run only when the hole-starting aid is in contact with the working surface.

NOTE

The BR, BT, M16 and M27 chucks require use of a suitable open-end wrench.

The chuck, the adapter and the cutting tool must be clean and free of dirt and dust.

1. Open the chuck (BI+) by turning it in the direction of the open brackets symbol.
2. Push the diamond core bit into the chuck (BI+) from the front, turning the core bit until the teeth in the chuck engage with the core bit.
3. Close the chuck (BI+) by turning it in the direction of the closed brackets symbol.
4. Check that the diamond core bit is securely mounted in the chuck by pulling on the core bit and attempting to move it from side to side.

6.3 Fitting the dust removal attachment (optional)

6.3.1 Socket cutter 4

1. Push the hole-starting aid, point first, as far as it will go, into the connection end for socket cutters with dust removal.
2. Fit the connection end into the chuck in accordance with the instructions for fitting a diamond core bit.
3. Push the locking sleeve and the dust removal attachment back toward the power tool.
4. Fit the socket cutter onto the connection end.
5. Push the dust removal attachment forward until it is in contact with the socket cutter and then secure it in this position by sliding the locking ring toward the socket cutter.
6. Check that the dust removal unit is free to rotate relative to the power tool.

6.3.2 Core bit

1. Fit the connection end for core bits with dust removal into the chuck in accordance with the instructions for fitting a diamond core bit.
2. Fit the core bit onto the connection end.

6.4 Selecting the speed 5

CAUTION

Do not change gear while the machine is running. Wait for the spindle to come to a halt.

Set the selector switch according to the core bit diameter used. Turn the selector switch to the recommended setting (see section "Description") while rotating the core bit by hand.

6.5 Removing the diamond core bit



CAUTION

The core bit may get hot during use or during sharpening. There is a risk of burning your hands. **Wear protective gloves when changing the core bit.**

CAUTION

Disconnect the supply cord plug from the power outlet.

NOTE

If using a BR, BT, M27 or M16 chuck, prevent rotation of the chuck and use a suitable open-end wrench to remove the core bit.

1. Open the chuck (BI+) by turning it in the direction of the open brackets symbol.
2. Pull the sleeve on the chuck in the direction of the arrow towards the machine. This releases the core bit.
3. Remove the core bit.

en

7 Operation



WARNING

Make sure that the supply cord and hoses do not come into contact with rotating parts.

DANGER

When working with slotted core bits, take care to keep your fingers out of the slots.

CAUTION

The machine and the drilling operation generate noise. **Wear ear protectors.** Excessive noise may damage the hearing.

CAUTION

Drilling may cause hazardous flying fragments. Flying fragments present a risk of injury to the eyes and body. **Wear eye protection and a hard hat.**

WARNING

In accordance with the applications for which it is designed, the machine produces a high torque. **Always use the side handle and hold the machine with both hands.** The user must be prepared for sudden sticking and stalling of the cutting tool.

DANGER

The operator must be prepared for sudden sticking and stalling of the cutting tool and must therefore have an absolutely secure stance with both feet.

7.1 TPS theft protection system (optional)

NOTE

The machine may be equipped with the optional theft protection system. If the machine is equipped with this feature, it can be unlocked and made ready for operation only with the corresponding TPS key.

7.1.1 Unlocking the machine

1. Check that the machine is connected to the electric supply. The yellow theft protection indicator LED blinks. The machine is now ready to receive the signal from the TPS key.

2. Hold the TPS key or the TPS watch strap buckle against the lock symbol. The machine is unlocked as soon as the yellow theft protection indicator LED no longer lights.

NOTE If, for example, the electric supply is briefly interrupted due to a power failure or disconnected when moving to a different workplace, the machine remains ready for operation for approx. 20 minutes. In the event of a longer interruption, the TPS key must be used again to unlock the machine.

7.1.2 Activation of the theft protection system for the machine

NOTE

Further information on activation and use of the theft protection system can be found in the operating instructions for the theft protection system.

7.2 Switching on and checking the PRCD (if fitted)

1. Plug the machine's supply cord into an earthed/grounded power outlet.
2. Press the "Reset" button on the PRCD ground fault circuit interrupter.
The indicator must light.
3. Press the "Test" button on the PRCD ground fault circuit interrupter.
The indicator must go out.
4. **WARNING If the indicator continues to light, further operation of the machine is not permissible.**
Have the machine repaired by a qualified specialist using genuine Hilti spare parts.
Press the "Reset" button on the PRCD ground fault circuit interrupter.
The indicator must light.

7.3 Working with a dust removal system

CAUTION

When working, always lead the vacuum cleaner hose away to the rear of the machine so that it cannot come into contact with the core bit.

CAUTION

Please read the operating instructions for the vacuum cleaner for information about disposal of the material collected.

NOTE

To avoid electrostatic effects, use an anti-static vacuum cleaner.

7.3.1 Vacuum cleaner with power outlet for power tools

CAUTION

Do not use slotted core bits when working with a dust removal system.

NOTE

The optional operations are to be carried out when the two-part hole starting aid is used.

1. Secure the side handle in the desired position.
2. Fit the hole-starting aid (optional operation).
3. Plug the machine's supply cord into the power outlet on the vacuum cleaner.
4. Plug the vacuum cleaner's supply cord into the power outlet and press the "Reset" button (if there is one) on the PRCD.
5. Position the machine at the point where the hole is to be drilled (hole center).
6. Press the on / off switch on the power tool.
NOTE The vacuum cleaner starts with a delay after the power tool is switched on. After switching the power tool off, the vacuum cleaner continues to run for a short time before switching itself off.
7. When beginning drilling, apply only light pressure until the core bit has centered itself and then increase the pressure. Drill to a depth of 3-5 mm to form a guide kerf (optional operation).
8. Switch the machine off by releasing the on / off switch and then wait until the core bit has stopped rotating (optional operation).
9. Remove the hole-starting aid from the core bit (optional operation).
10. Position the core bit in the guide kerf and then press the on / off switch to continue drilling (optional operation).

7.3.2 Vacuum cleaner without power outlet for power tools

CAUTION

Do not use slotted core bits when working with a dust removal system.

NOTE

The optional operations are to be carried out when the two-part hole starting aid is used.

1. Secure the side handle in the desired position.
2. Fit the hole-starting aid (optional operation).
3. Plug the vacuum cleaner's supply cord into the power outlet and switch the vacuum cleaner on.
4. Plug the machine's supply cord into the power outlet and press the "Reset" button (if there is one) on the PRCD.
5. Press the on / off switch on the power tool.
6. When beginning drilling, apply only light pressure until the core bit has centered itself and then increase the pressure. Drill to a depth of 3-5 mm to form a guide kerf (optional operation).
7. Switch the machine off by releasing the on / off switch and then wait until the core bit has stopped rotating (optional operation).
8. Remove the hole-starting aid from the core bit (optional operation).
9. Position the core bit in the guide kerf and then press the on / off switch to continue drilling (optional operation).
10. Allow the vacuum cleaner to run for a few seconds after switching off the machine in order to ensure that the remaining dust is removed.

7.4 Working without dust removal



NOTE

Use slotted core bits when drilling without a dust removal system.

NOTE

Remove the dust removal attachment or secure it to prevent rotation.

NOTE

The optional operations are to be carried out when the two-part hole starting aid is used.

CAUTION

Unplug the supply cord from the power outlet before removing the core.

DANGER

Wear respiratory protection.

NOTE

Dust is released in all directions. Drilling without a dust removal system, especially overhead drilling, is very unpleasant and optimum performance is not achieved. Overhead drilling without use of dust removal system is therefore not recommended. For dry coring it is recommended that the dust removal attachment and a suitable vacuum cleaner are always used.

1. Secure the side handle in the desired position.
2. Fit the hole-starting aid (optional operation).
3. Plug the supply cord into the power outlet and press the "Reset" button (if there is one) on the PRCD.
4. Position the machine at the point where the hole is to be drilled (hole center).
5. Press the on / off switch on the power tool.
6. When beginning drilling, apply only light pressure until the core bit has centered itself and then increase the pressure. Drill to a depth of 3-5 mm to form a guide kerf (optional operation).
7. Switch the machine off by releasing the on / off switch and then wait until the core bit has stopped rotating (optional operation).
8. Remove the hole-starting aid from the core bit (optional operation).
9. Position the core bit in the guide kerf and then press the on / off switch to continue drilling (optional operation).

7.5 Switching off and dismantling the system



CAUTION

Wear protective gloves when changing cutting tools as they get hot during use.

CAUTION

The core bit will be full of dust and drilled-out material. **Work from a secure stance and make sure you are ready to support the additional weight of the drilled-out material.**

NOTE

The power tool should preferably be transported in the Hilti toolbox.

1. Release the on / off switch on the power tool and slowly pull the core bit out of the hole.
2. Switch off the vacuum cleaner if you are using one.
3. Check that the machine is disconnected from the electric supply.
4. Remove the core if necessary.
5. Remove the core bit.

7.6 Procedure in the event of the core bit sticking

In the event of the core bit sticking, the clutch will slip until the user switches the power tool off. The core bit can be released by taking the following action:

7.6.1 Using an open-end wrench to release the core bit

1. Disconnect the supply cord plug from the power outlet.
2. Grip the core bit with a suitable open-end wrench close to the connection end and release the core bit by rotating it.
3. Plug the machine's supply cord into the power outlet.
4. Resume the drilling operation.

7.7 Transport

CAUTION

Check that the machine is disconnected from the electric supply.

NOTE

Store and transport the power tool in its toolbox when possible.

8 Care and maintenance

CAUTION

Disconnect the supply cord plug from the power outlet.

8.1 Care of cutting tools and metal parts

Remove any dirt adhering to the surface of cutting tools, the chuck and drive spindle and protect their surfaces from corrosion by rubbing them with an oily cloth from time to time.

Always keep the connection end clean and lightly greased.

8.2 Care of the machine

CAUTION

Keep the machine, especially its grip surfaces, clean and free from oil and grease. Do not use cleaning agents which contain silicone.

Never operate the machine when the ventilation slots are blocked. Clean the ventilation slots carefully using a dry brush. Do not permit foreign objects to enter the interior of the machine. Clean the outside of the machine at regular intervals with a slightly damp cloth. Do not use a spray, pressure jet washer or running water for cleaning. This may negatively affect the electrical safety of the machine.

8.3 Maintenance

WARNING

Repairs to the electrical section of the machine may be carried out only by trained electrical specialists.

Check all external parts of the power tool for damage at regular intervals and check that all controls operate faultlessly. Do not operate the power tool if parts are damaged or when the controls do not function faultlessly.

If necessary, the power tool should be repaired by Hilti Service.

8.4 Replacing the carbon brushes 7

NOTE

The indicator lamp with wrench symbol lights up when the carbon brushes need to be replaced.

DANGER

The machine may be operated, serviced and repaired only by trained, authorized personnel. This personnel must be specially informed of any possible hazards.

Failure to observe the following instructions may result in contact with dangerous electric voltage.

1. Disconnect the machine from the electric supply.
2. Open the carbon brush covers on the left-hand and right-hand side of the motor.
3. Take note of how the carbon brushes are fitted and how the conductors are positioned. Remove the worn carbon brushes from the machine.
4. Fit the new carbon brushes just as the old ones were fitted (spare part numbers: carbon brushes AO ML 100-127 V: 39577; carbon brushes AO ML 220-240 V: 39576).

NOTE Take care to avoid damaging the insulation on the indicator lead as you insert the brushes.

5. Close the carbon brush covers on the left-hand and right-hand side of the motor and tighten the retaining screws.

NOTE Once the carbon brushes have been replaced, the indicator lamp no longer lights when the machine is reconnected to the electric supply.

8.5 Checking the power tool after care and maintenance

After carrying out care and maintenance, check that all protective and safety devices are fitted and that they function faultlessly.

9 Troubleshooting

Fault	Possible cause	Remedy
The machine doesn't start.	Interruption in the electric supply.	Plug in another electric appliance and check whether it works. Check the plug connections, supply cords and extension cords, PRCD and electric supply.
	Carbon brush automatic cut-out activated.	Replace the carbon brushes. See section: 8.4 Replacing the carbon brushes 7
	On/off switch defective.	The machine should be repaired by Hilti Service.

Fault	Possible cause	Remedy
The machine doesn't start.	Interruption in the electric supply.	Check the supply cord and vacuum cleaner (if applicable), the extension cord, supply cord plug and PRCD, and have them replaced by a qualified electrician if necessary.
	The electronics are defective.	The machine should be repaired by Hilti Service.
The machine doesn't start and the service indicator lights.	The carbon brushes are worn.	Replace the carbon brushes. See section: 8.4 Replacing the carbon brushes 7
The machine doesn't start, carbon brushes have been changed, service indicator lights.	A fault has occurred in the power tool.	If necessary, the power tool should be repaired by Hilti Service.
The service indicator lights.	The carbon brushes are worn; the machine will continue to run for a few hours.	The carbon brushes should be changed. See section: 8.4 Replacing the carbon brushes 7
The service indicator blinks.	Motor speed error.	Have the appliance repaired by Hilti Service.
The machine doesn't start, theft protection indicator blinks yellow.	The power tool has not been unlocked (tools with optional theft protection system).	Use the TPS key to unlock the power tool.
The motor runs. The diamond core bit doesn't rotate.	Gear selector doesn't engage.	Move the gear selector until felt to engage.
	The gearing is defective.	The machine should be repaired by Hilti Service.
The rate of drilling progress decreases.	The diamond core bit is polished.	Sharpen the core bit by drilling into a sharpening plate.
	The diamond core bit is polished.	The wrong type of core bit has been used. Seek advice from Hilti.
	The core is stuck in the core bit.	Remove the core.
	Maximum drilling depth is reached.	Remove the core and use a core bit extension.
	The diamond core bit is damaged.	Check the diamond core bit for damage and replace it if necessary.
	The slip clutch is disengaging prematurely or slipping.	The machine should be repaired by Hilti Service.
	Drilling progress is prevented by an accumulation of dust.	Use a suitable vacuum cleaner.
The diamond core bit cannot be fitted into the chuck.	The core bit connection end or chuck is dirty or damaged.	Clean the connection end /chuck or replace if necessary.
Excessive play in the drilling system.	The core bit is not screwed securely into the chuck.	Tighten it securely.
	The core bit connection end is defective.	Check the connection end and replace it if necessary.

10 Disposal



en

Most of the materials from which Hilti machines or appliances are manufactured can be recycled. The materials must be correctly separated before they can be recycled. In many countries, Hilti has already made arrangements for taking back old machines and appliances for recycling. Ask Hilti customer service or your Hilti representative for further information.



For EC countries only

Disposal of electric appliances together with household waste is not permissible.

In observance of the European Directive on waste electrical and electronic equipment and its implementation in accordance with national law, electrical appliances that have reached the end of their life must be collected separately and returned to an environmentally compatible recycling facility.

11 Manufacturer's warranty

Please contact your local Hilti representative if you have questions about the warranty conditions.

12 EC declaration of conformity (original)

Designation:	diamond coring system
Type:	DD 110-D
Year of design:	2007

We declare, on our sole responsibility, that this product complies with the following directives and standards: until 19th April 2016: 2004/108/EC, from 20th April 2016: 2014/30/EU, 2006/42/EC, 2011/65/EU, EN 60745-1, EN 60745-2-1, EN ISO 12100.

**Hilti Corporation, Feldkircherstrasse 100,
FL-9494 Schaan**

Handwritten signature of Paolo Luccini in black ink.

Paolo Luccini
Head of BA Quality and Process Management
Business Area Electric Tools & Accessories
06/2015

Handwritten signature of Johannes Wilfried Huber in black ink.

Johannes Wilfried Huber
Senior Vice President
Business Unit Diamond

06/2015

Technical documentation filed at:

Hilti Entwicklungsgesellschaft mbH
Zulassung Elektrowerkzeuge
Hiltistrasse 6
86916 Kaufering
Deutschland

DD 110-D Carotteuse diamant

Avant de mettre l'appareil en marche, lire impérativement son mode d'emploi et bien respecter les consignes.

Le présent mode d'emploi doit toujours accompagner l'appareil.

Ne pas prêter ou céder l'appareil à un autre utilisateur sans lui fournir le mode d'emploi.

Sommaire	Page
1 Consignes générales	15
2 Description	16
3 Accessoires	18
4 Caractéristiques techniques	18
5 Consignes de sécurité	20
6 Mise en service	22
7 Utilisation	24
8 Nettoyage et entretien	26
9 Guide de dépannage	27
10 Recyclage	28
11 Garantie constructeur des appareils	29
12 Déclaration de conformité CE (original)	29

1 Les numéros renvoient aux illustrations. Les illustrations se trouvent au début de la notice d'utilisation. Dans le texte du présent mode d'emploi, le terme « appareil » désigne toujours la carotteuse diamant DD 110-D.

Pièces constitutives de l'appareil, éléments de commande et d'affichage 1

Carotteuse diamant DD 110-D

- ① Poignée latérale
- ② Variateur de vitesse
- ③ Réducteur
- ④ Moteur
- ⑤ Couvrecl de balais de charbon
- ⑥ Indicateur de maintenance
- ⑦ Interrupteur Marche / Arrêt
- ⑧ Poignée
- ⑨ Câble d'alimentation réseau
- ⑩ Porte-outil
- ⑪ Équipement spécial : TPS

fr

1 Consignes générales

1.1 Termes signalant un danger et leur signification

DANGER

Pour un danger imminent qui peut entraîner de graves blessures corporelles ou la mort.

AVERTISSEMENT

Pour attirer l'attention sur une situation pouvant présenter des dangers susceptibles d'entraîner des blessures corporelles graves ou la mort.

ATTENTION

Pour attirer l'attention sur une situation pouvant présenter des dangers susceptibles d'entraîner des blessures corporelles légères ou des dégâts matériels.

REMARQUE

Pour des conseils d'utilisation et autres informations utiles.

1.2 Explication des pictogrammes et autres symboles d'avertissement

Symboles d'avertissement



Avertissement danger général



Avertissement tension électrique dangereuse



Avertissement surfaces chaudes

Symboles d'obligation



Porter des lunettes de protection



Porter un casque de protection



Porter un casque antibruit



Porter des gants de protection



Porter un masque respiratoire léger



Porter des chaussures de protection



Lire le mode d'emploi avant d'utiliser l'appareil

Symboles

/min

Tours par minute



Symbole de cadenas



Remarque concernant la protection contre le vol



Indicateur de maintenance



Recyclage des matériaux

Emplacement des détails d'identification sur l'appareil

La désignation du modèle et le numéro de série se trouvent sur la plaque signalétique de l'appareil. Inscrive ces renseignements dans le mode d'emploi et toujours s'y référer pour communiquer avec notre représentant ou agence Hilti.

Type :

N° de série :

2 Description

2.1 Utilisation conforme à l'usage prévu

La carotteuse DD 110-D est un appareil de forage diamant électroportatif, destiné au forage manuel guidé à sec dans la maçonnerie, au moyen de couronnes de forage diamantées et de couronnes pour percement de boîtiers.

Cet appareil n'est pas conçu pour forer dans du béton ou du béton armé.

Il n'est pas permis de forer dans des matériaux qui génèrent des poussières conductrices et/ou qui sont inflammables (tels que du bois, du magnésium).

Utiliser autant que possible pour chaque application un dispositif d'aspiration de poussière mobile approprié, par ex. aspirateur de poussière Hilti VCU 40, VCU 40-M ou VCD 50.

Pour éviter tout risque de blessure, utiliser uniquement des couronnes diamantées Hilti et accessoires DD 110-D d'origine.

Respecter également les instructions de sécurité et d'utilisation de l'accessoire utilisé.

Bien respecter les consignes concernant l'utilisation, le nettoyage et l'entretien de l'appareil qui figurent dans le présent mode d'emploi.

L'appareil est destiné aux utilisateurs professionnels et ne doit être utilisé, entretenu et réparé que par un personnel agréé, formé à cet effet. Ce personnel doit être au courant des dangers inhérents à l'utilisation de l'appareil. L'appareil et ses accessoires peuvent s'avérer dangereux s'ils sont utilisés de manière incorrecte par un personnel non qualifié ou de manière non conforme à l'usage prévu.

L'environnement de travail peut être : chantiers, ateliers, sites de rénovation, sites de constructions nouvelles ou de constructions en cours de réaménagement.

L'appareil ne doit fonctionner qu'avec la tension réseau et la fréquence réseau indiquées sur la plaque signalétique.

Ne pas travailler sur des matériaux susceptibles de nuire à la santé (par ex. amiante).

Toute manipulation ou modification de l'appareil est interdite.

2.2 Application des différents équipements

Types de forage DD 110-D	Couronnes diamantées \varnothing	Sens de forage	Matériau support
Forages traversants	16...162 mm ($\frac{5}{8}$ "...6 $\frac{1}{2}$ "")	Tous les sens	Maçonnerie (par ex. brique silico-calcaire, brique cuite)
Forages non traversants / pour percement de boîtiers	16...162 mm ($\frac{5}{8}$ "...6 $\frac{1}{2}$ "")	Tous les sens	Maçonnerie (par ex. brique silico-calcaire, brique cuite)

fr

2.3 Table des vitesses et diamètres de couronne de forage correspondants

Vitesse	Couronnes diamantées PCM	Couronnes diamantées HDM	Vitesse de rotation à vide
1	42...162 mm (1 $\frac{5}{8}$ " ... 6 $\frac{1}{2}$ "")	102...162 mm (4" ... 6 $\frac{1}{2}$ "")	650/min
2		16...87 mm ($\frac{5}{8}$ " ... 3 $\frac{1}{2}$ "")	1.380/min

2.4 Protection contre le vol TPS (en option)

L'appareil peut, en option, être équipé de la fonction "Protection contre le vol TPS". Si l'appareil est équipé avec cette fonction, il peut uniquement être déblocqué et activé à l'aide de la clé de déblocage fournie.

2.5 La livraison de l'équipement standard comprend :

- 1 Appareil avec poignée latérale et porte-outil
- 1 Mode d'emploi
- 1 Coffret Hilti ou emballage en carton

2.6 Utilisation de câbles de rallonge

Utiliser uniquement des câbles de rallonge homologués pour le champ d'action correspondant et de section suffisante.

Section minimale recommandée et longueurs de câble maximales :

Section du conducteur	1,5 mm ²	2 mm ²	2,5 mm ²	3,5 mm ²
Tension du secteur 100 V	non recommandé	non recommandé	non recommandé	40 m
Tension du secteur 110-120 V	non recommandé	non recommandé	30 m	
Tension du secteur 220-240 V	30 m		50 m	

Ne pas utiliser de câble de rallonge d'une section de conducteur de 1,25 mm². Sur les appareils avec PRCD, utiliser uniquement des câbles de rallonge avec mise à la terre.

2.7 Utilisation d'un générateur ou d'un transformateur

Cet appareil peut être alimenté par un générateur ou un transformateur (non fourni), si les conditions suivantes sont respectées : une puissance d'alimentation en watts au moins égale au double de la puissance indiquée sur la plaque signalétique de l'appareil, la tension de service doit être toujours comprise entre +5 % et -15 % par rapport à la tension nominale, la fréquence doit être comprise entre 50 et 60 Hz sans jamais dépasser 65 Hz, et enfin, un régulateur de tension automatique avec système d'amplification au démarrage doit être présent.

REMARQUE

La mise en marche ou à l'arrêt d'autres appareils peut entraîner des pointes de sous-tension et / ou de surtension pouvant endommager l'appareil. Ne jamais faire fonctionner d'autres appareils simultanément sur le générateur / transformateur.

3 Accessoires

Désignation	Code article, Description
Protection contre le vol TPS (Theft Protection System) avec Company Card, Company Remote et clé de déblocage TPS-K	En option
Dispositif d'aspiration de la poussière	315773
Porte-outil M16	315774
Porte-outil BI+	315791
Porte-outil BR	315792
Porte-outil BT	315793
Mandrin à couronne dentée	315794
Mandrin à serrage rapide	315795
Emmanchement M27 pour couronnes pour percement de boîtiers	315805
Emmanchement BI+ pour couronnes pour percement de boîtiers	315806
Emmanchement M27 pour couronnes diamantées	315807
Emmanchement BI+ pour couronnes diamantées	315824
Poignée latérale	315825
Dispositif d'aspiration de poussière avec emmanchement BI+ pour couronnes diamantées	315826
Dispositif d'aspiration de poussière avec emmanchement M27 pour couronnes diamantées	315827
Dispositif d'aspiration de poussière avec emmanchement BI+ pour couronnes pour percement de boîtiers	315828
Dispositif d'aspiration de poussière avec emmanchement M27 pour couronnes pour percement de boîtiers	331621
Amorce de forage Couronne pour percement de boîtiers	281318
Amorce de forage Couronne pour percement de boîtiers BI+	209661

4 Caractéristiques techniques

Sous réserve de modifications techniques !

Informations concernant les appareils et les applications

Dimensions (L x l x h)	446 mm x 120 mm x 170 mm
Poids selon la procédure EPTA 01/2003	5,1 kg
Classe de protection	II
Classe de protection avec PRCD	I

REMARQUE

L'appareil est disponible pour plusieurs tensions nominales différentes. La tension et la tension absorbée nominales de l'appareil figurent sur la plaque signalétique.

Tension de référence [V]	100	110	110	120	220	230	240
Fréquence réseau [Hz]	50...60	50	60	60	50/60	50...60	50

Tension de référence [V]	100	110	110	120	220	230	240
Puissance absorbée de référence [W]	1.450	1.600	1.570		1.600	1.600	1.600
Courant nominal [A]	15	15,4	15	14,1	7,7	7,4	7,1
Vitesse de rotation à vide de référence 1ère vitesse [/min]	650	650	650	650	650	650	650
Vitesse de rotation à vide de référence 2ème vitesse [/min]	1.380	1.380	1.380	1.380	1.380	1.380	1.380

REMARQUE

Le niveau de vibrations mentionné dans ces instructions a été mesuré conformément à un procédé de mesure normalisé selon EN 60745 et peut être utilisé comme base de comparaison entre outils électroportatifs. Il permet également de procéder à une évaluation préalable des sollicitations vibratoires. Le niveau de vibrations mentionné correspond aux principales applications de l'outil électroportatif. Ce niveau peut néanmoins différer si l'outil électroportatif est utilisé pour d'autres applications, avec des outils à monter différents ou que l'entretien s'avère insuffisant. Ceci peut augmenter considérablement les sollicitations vibratoires dans tout l'espace de travail. Pour une évaluation précise des sollicitations vibratoires, il convient également de prendre en compte les temps durant lesquels l'appareil est arrêté ou marche à vide. Ceci peut sensiblement réduire les sollicitations vibratoires dans tout l'espace de travail. Par ailleurs, il convient de prendre des mesures de sécurité supplémentaires en vue de protéger l'utilisateur des effets des vibrations, telles que : bien entretenir l'outil électroportatif ainsi que les outils à monter, maintenir les mains chaudes, optimiser l'organisation des opérations.

Valeurs de bruit (mesurées selon EN 60745-2-1)

Niveau de puissance acoustique pondéré (A) type	95 dB (A)
Niveau de pression acoustique d'émission pondéré (A) type.	84 dB (A)
Incertitude du niveau acoustique indiqué	3 dB (A)

Informations complémentaires selon EN 60745-1, valeurs de vibrations triaxiales (somme vectorielle des vibrations)

Forage dans de la brique silico-calcaire (à sec) avec couronne diamantée PCM, $a_{h,DD}$	12 m/s ²
Forage dans de la brique silico-calcaire (à sec) avec couronne diamantée HDM, $a_{h,DD}$	5,8 m/s ²
Incertitude (K)	1,5 m/s ²

5 Consignes de sécurité

5.1 Indications générales de sécurité pour les appareils électriques

a) AVERTISSEMENT

Lire et comprendre toutes les consignes de sécurité et instructions. Le non-respect des consignes de sécurité et instructions indiquées ci-après peut entraîner un choc électrique, un incendie et / ou de graves blessures sur les personnes. **Les consignes de sécurité et instructions doivent être intégralement conservées pour les utilisations futures.** La notion d'« outil électroportatif » mentionnée dans les consignes de sécurité se rapporte à des outils électriques raccordés au secteur (avec câble de raccordement) et à des outils électriques à batterie (sans câble de raccordement).

5.1.1 Sécurité sur le lieu de travail

- a) **Maintenez l'endroit de travail propre et bien éclairé.** Un lieu de travail en désordre ou mal éclairé augmente le risque d'accidents.
- b) **N'utilisez pas l'outil électroportatif dans un environnement présentant des risques d'explosion et où se trouvent des liquides, des gaz ou poussières inflammables.** Les outils électroportatifs génèrent des étincelles risquant d'enflammer les poussières ou les vapeurs.
- c) **Tenez les enfants et autres personnes éloignés durant l'utilisation de l'outil électroportatif.** En cas d'inattention vous risquez de perdre le contrôle de l'appareil.

5.1.2 Sécurité relative au système électrique

- a) **La fiche de secteur de l'outil électroportatif doit être appropriée à la prise de courant. Ne modifiez en aucun cas la fiche. N'utilisez pas de fiches d'adaptateur avec des outils électroportatifs avec mise à la terre.** Les fiches non modifiées et les prises de courant appropriées réduisent le risque de choc électrique.
- b) **Éviter le contact physique avec des surfaces mises à la terre tels que tuyaux, radiateurs, cuisinières et réfrigérateurs.** Il y a un risque élevé de choc électrique au cas où votre corps serait relié à la terre.
- c) **N'exposez pas les outils électroportatifs à la pluie ou à l'humidité.** La pénétration d'eau dans un outil électroportatif augmente le risque d'un choc électrique.
- d) **N'utilisez pas le câble à d'autres fins que celles prévues, n'utilisez pas le câble pour porter l'outil électroportatif ou pour l'accrocher ou encore pour le débrancher de la prise de courant. Maintenez le câble éloigné des sources de chaleur, des parties grasses, des bords tranchants ou des parties de l'appareil en rotation.** Un câble endommagé ou torsadé augmente le risque d'un choc électrique.

- e) **Au cas où vous utiliseriez l'outil électroportatif à l'extérieur, utilisez uniquement une rallonge homologuée pour les applications extérieures.** L'utilisation d'une rallonge électrique homologuée pour les applications extérieures réduit le risque d'un choc électrique.
- f) **Si l'utilisation de l'outil électroportatif dans un environnement humide ne peut pas être évitée, un interrupteur de protection contre les courants de court-circuit doit être utilisé.** L'utilisation d'un tel interrupteur de protection réduit le risque d'une décharge électrique.

5.1.3 Sécurité des personnes

- a) **Restez vigilant, surveillez ce que vous faites. Faites preuve de bon sens en utilisant l'outil électroportatif. N'utilisez pas l'outil électroportatif lorsque vous êtes fatigué ou après avoir consommé de l'alcool, des drogues ou avoir pris des médicaments.** Un moment d'inattention lors de l'utilisation de l'outil électroportatif peut entraîner de graves blessures sur les personnes.
- b) **Portez des équipements de protection. Portez toujours des lunettes de protection.** Le fait de porter des équipements de protection personnels tels que masque antipoussière, chaussures de sécurité antidérapantes, casque de protection ou protection acoustique suivant le travail à effectuer, réduit le risque de blessures.
- c) **Éviter une mise en service par mégarde. S'assurer que l'outil électroportatif est arrêté avant de le brancher à la source de courant et/ou au bloc-accu, de le prendre ou de le porter.** Le fait de porter l'outil électroportatif avec le doigt sur l'interrupteur ou de brancher l'appareil sur la source de courant lorsque l'interrupteur est en position de fonctionnement, peut entraîner des accidents.
- d) **Enlevez tout outil de réglage ou toute clé avant de mettre l'outil électroportatif en fonctionnement.** Une clé ou un outil se trouvant sur une partie en rotation peut causer des blessures.
- e) **Adoptez une bonne posture. Veillez à garder toujours une position stable et équilibrée.** Ceci vous permet de mieux contrôler l'outil électroportatif dans des situations inattendues.
- f) **Portez des vêtements appropriés. Ne portez pas de vêtements amples ni de bijoux. Maintenez cheveux, vêtements et gants éloignés des parties de l'appareil en rotation.** Des vêtements amples, des bijoux ou des cheveux longs peuvent être happés par des pièces en mouvement.
- g) **Si des dispositifs servant à aspirer ou à recueillir les poussières doivent être utilisés, vérifiez que ceux-ci sont effectivement raccordés et qu'ils sont correctement utilisés.** L'utilisation d'un dispositif d'aspiration peut réduire les risques dus aux poussières.

5.1.4 Utilisation et maniement de l'outil électroportatif

- a) **Ne surchargez pas l'appareil. Utilisez l'outil électroportatif approprié au travail à effectuer.** Avec l'outil électroportatif approprié, vous travaillerez mieux et avec plus de sécurité à la vitesse pour laquelle il est prévu.
- b) **N'utilisez pas un outil électroportatif dont l'interrupteur est défectueux.** Un outil électroportatif qui ne peut plus être mis en ou hors fonctionnement est dangereux et doit être réparé.
- c) **Retirez la fiche de la prise de courant et/ou le bloc-accu avant d'effectuer des réglages sur l'appareil, de changer les accessoires, ou de ranger l'appareil.** Cette mesure de précaution empêche une mise en fonctionnement par mégarde de l'outil électroportatif.
- d) **Gardez les outils électroportatifs non utilisés hors de portée des enfants. Ne permettez pas l'utilisation de l'appareil à des personnes qui ne se sont pas familiarisées avec celui-ci ou qui n'ont pas lu ces instructions.** Les outils électroportatifs sont dangereux lorsqu'ils sont utilisés par des personnes non initiées.
- e) **Prendre soin des outils électroportatifs. Vérifier que les parties en mouvement fonctionnent correctement et qu'elles ne sont pas coincées, et contrôler si des parties sont cassées ou endommagées de sorte que le bon fonctionnement de l'outil électroportatif s'en trouve entravé. Faire réparer les parties endommagées avant d'utiliser l'appareil.** De nombreux accidents sont dus à des outils électroportatifs mal entretenus.
- f) **Maintenez les outils de coupe aiguisés et propres.** Des outils soigneusement entretenus avec des bords tranchants bien aiguisés se coincent moins souvent et peuvent être guidés plus facilement.
- g) **L'outil électroportatif, les accessoires, les outils à monter, etc. doivent être utilisés conformément à ces instructions. Tenez compte également des conditions de travail et du travail à effectuer.** L'utilisation des outils électroportatifs à d'autres fins que celles prévues peut entraîner des situations dangereuses.

5.1.5 Service

- a) **Ne faire réparer l'outil électroportatif que par un personnel qualifié et seulement avec des pièces de rechange d'origine.** Ceci permet d'assurer la sécurité de l'outil électroportatif.

5.2 Indications de sécurité pour les perceuses

- a) **Utiliser la poignée supplémentaire livrée avec l'appareil.** La perte de contrôle peut entraîner des blessures.
- b) **Tenir l'appareil par les surfaces isolées des poignées lors des travaux pendant lesquels l'accessoire risque de toucher des câbles électriques cachés ou son propre câble d'alimentation réseau.** Le contact avec un câble sous tension risque

de mettre les parties métalliques de l'appareil sous tension et de provoquer une décharge électrique.

5.3 Consignes de sécurité supplémentaires

5.3.1 Sécurité des personnes

- a) **En mode de guidage manuel, toujours tenir l'appareil des deux mains par les poignées prévues à cet effet.** Veiller à ce que les poignées soient toujours sèches, propres et exemptes de traces de graisse et d'huile.
- b) **Si l'appareil fonctionne sans dispositif d'aspiration de la poussière et si le travail effectué dégage de la poussière, porter un masque respiratoire léger.**
- c) **Faire régulièrement des pauses et des exercices de relaxation et de massage des doigts pour favoriser l'irrigation sanguine dans les doigts.**
- d) **Éviter de toucher des pièces en rotation. Brancher l'appareil uniquement dans l'espace de travail.** Le fait de toucher des pièces en rotation, en particulier des outils en rotation, risque d'entraîner des blessures.
- e) **Pendant le travail, toujours tenir le câble d'alimentation réseau et de rallonge, et le cas échéant aussi le tuyau de l'aspirateur, à l'arrière de l'appareil.** Ceci permet d'éviter tout risque de chute en trébuchant sur le câble ou le tuyau pendant le travail.
- f) **Avertir les enfants et veiller à ce qu'ils ne jouent pas avec l'appareil.**
- g) **L'appareil n'est pas destiné à être utilisé par des enfants ou des personnes affaiblies sans encadrement.**
- h) **Les poussières de matériaux telles que des poussières de peinture au plomb, de certains types de bois, minéraux et métaux, peuvent être nocives pour la santé. Le contact ou l'aspiration des poussières peut provoquer des réactions allergiques et/ou des maladies respiratoires de l'utilisateur ou de toute personne se trouvant à proximité. Certaines poussières, telles que des poussières de chêne ou de hêtre, sont considérées comme cancérigènes, en particulier lorsqu'elles sont combinées à des additifs destinés au traitement du bois (chromate, produit de protection du bois). Les matériaux contenant de l'amiante doivent seulement être manipulés par un personnel spécialisé. Un dispositif d'aspiration doit être utilisé dans la mesure du possible. Pour une aspiration optimale de la poussière, utiliser de préférence l'aspirateur mobile approprié pour bois et/ou poussières minérales recommandé par Hilti, qui est spécialement étudié pour cet outil électroportatif. Veiller à ce que la place de travail soit bien ventilée. Il est recommandé de porter un masque antipoussière de la classe de filtre P2. Respecter les prescriptions locales en vigueur qui s'appliquent aux matériaux travaillés.**

5.3.2 Utilisation et emploi soigneux de l'outil électroporatif

- Bien fixer la pièce. Pour ce faire, utiliser un dispositif de serrage ou un étau, pour maintenir la pièce travaillée en place.** Elle sera ainsi mieux tenue qu'à la main, et les deux mains restent alors libres pour commander l'appareil.
- Vérifier que les outils sont bien munis du système d'emmanchement adapté à l'appareil et qu'ils sont toujours correctement verrouillés dans le porte-outil.**
- En cas de coupure de courant, arrêter l'appareil et retirer la fiche de la prise.** Cette mesure de précaution empêche une mise en fonctionnement par mégarde de l'appareil lorsque le courant est rétabli.

5.3.3 Sécurité relative au système électrique

- Avant d'entamer le travail, vérifier, par exemple à l'aide d'un détecteur de métaux, qu'il n'y a pas de câbles ou gaines électriques, tuyaux de gaz ou d'eau cachés dans la zone d'intervention.** Toutes pièces métalliques extérieures de l'appareil peuvent devenir conductrices, par exemple, lorsqu'un câble électrique est endommagé par inadvertance. Cela peut entraîner un grave danger d'électrocution.
- Si un PRCD est contenu dans la livraison, ne jamais faire fonctionner l'appareil sans le disjoncteur PRCD fourni (pour les versions GB, jamais sans le transformateur de séparation). Contrôler le disjoncteur PRCD avant chaque utilisation.**
- Contrôler régulièrement les câbles de raccordement de l'appareil et les faire remplacer par un spécialiste s'ils sont endommagés. Si le câble de raccordement de l'appareil électrique est endommagé, il doit être remplacé par un câble de raccordement spécialement préparé admissible, disponible auprès du service après-vente. Contrôler régulièrement les câbles de rallonge et les remplacer s'ils sont endommagés. Si le câble d'alimentation réseau ou de rallonge est endommagé pendant le travail, ne pas le toucher. Débran-**

cher la fiche de la prise. Les cordons d'alimentation et câbles de rallonge endommagés représentent un danger d'électrocution.

- Lorsqu'un appareil électrique est utilisé en plein air, s'assurer que l'appareil est raccordé au réseau par le biais d'un interrupteur de protection contre les courants de court-circuit (RCD) avec un courant de déclenchement maximal de 30 mA.** L'utilisation d'un tel interrupteur de protection réduit le risque d'une décharge électrique.
- En principe, il est recommandé d'utiliser un interrupteur de protection contre les courants de court-circuit (RCD) avec un courant de déclenchement maximal de 30 mA.**

5.3.4 Place de travail

- Veiller à ce que la place de travail soit bien ventilée.** Des places de travail mal ventilées peuvent nuire à la santé du fait de la présence excessive de poussière.
- Si le travail effectué dégage de la poussière, raccorder un dispositif d'aspiration de poussière. Il est interdit de forer des matériaux nocifs pour la santé (par ex. amiante).**

5.3.5 Équipement de protection individuelle



L'utilisateur et les personnes se trouvant à proximité pendant l'utilisation de l'appareil doivent porter des lunettes de protection adaptées, un casque de protection, un casque antibruit, des gants de protection, des chaussures de sécurité et, en cas de dégagement de poussières, un masque respiratoire léger.

6 Mise en service



ATTENTION

La tension du secteur doit correspondre à celle indiquée sur la plaque signalétique. S'assurer que l'appareil n'est pas raccordé au réseau électrique.

DANGER

En cas de perçages à travers un mur, sécuriser la zone située derrière le mur, étant donné que du matériau ou la carotte de forage risquent de tomber. En cas de perçages à travers un plafond, veiller à protéger

un périmètre de sécurité au sol, étant donné que du matériau ou la carotte de forage risquent de tomber.

ATTENTION

L'appareil ne doit pas être raccordé au réseau électrique pendant le transport. Débrancher la fiche de la prise.

6.1 Positionner la poignée latérale 2

ATTENTION

Débrancher la fiche de la prise.

- Ouvrir le dispositif de serrage de la poignée latérale en tournant la poignée.

2. Tourner la poignée latérale dans la position souhaitée.
3. Fixer la poignée latérale anti-torsion en la tournant par la poignée.

6.2 Montage de la couronne diamantée 3



DANGER

Ne pas utiliser d'accessoires endommagés. Avant chaque utilisation, vérifier que les accessoires ne sont ni écaillés ni usés ou fortement détériorés. Ne pas utiliser d'outils endommagés. Des éclats de la pièce travaillée ou des accessoires cassés risquent d'être projetés et de provoquer des blessures même à l'extérieur de l'espace de travail direct.

REMARQUE

Les couronnes diamantées doivent être remplacées, sitôt que les performances de tronçonnage resp. la progression de perçage sont nettement réduites. C'est d'une manière générale le cas, lorsque la hauteur des segments diamantés est inférieure à 2 mm.

ATTENTION

Pour éviter tout risque de blessure, utiliser uniquement des couronnes diamantées Hilti et accessoires DD 110-D d'origine. Pour les appareils avec porte-outil BI+, seules les couronnes diamantées Hilti d'origine sont autorisées.

ATTENTION

L'outil peut devenir très chaud lors de son utilisation ou de son affûtage. L'utilisateur risque de se brûler les mains. **Utiliser des gants de protection pour changer d'outil.**

ATTENTION

Débrancher la fiche de la prise.

ATTENTION

S'assurer que l'amorce de forage est bien positionnée sur la couronne diamantée.

ATTENTION

Lorsqu'une amorce de forage est utilisée, ne pas faire fonctionner l'appareil au ralenti sans contact avec le matériau support.

REMARQUE

Les porte-outils BR, BT, M16, M27 s'actionnent à l'aide d'une clé à fourche appropriée.

Le porte-outil, l'adaptateur et l'outil doivent être exempts de saletés.

1. Ouvrir le porte-outil (BI+) en tournant dans le sens du symbole Étrier ouvert.
2. Installer la couronne diamantée par l'avant sur la denture du porte-outil (BI+) sur l'appareil et la tourner, jusqu'à ce qu'elle s'encliquette.
3. Fermer le porte-outil (BI+) en tournant dans le sens du symbole Étrier fermé.
4. Contrôler, en tirant la couronne diamantée dans tous les sens, que la couronne de forage est bien fixée sur le porte-outil.

6.3 Montage du dispositif d'aspiration de poussière (en option)

6.3.1 Couronnes pour perçement de boîtiers 4

1. Pousser l'amorce de forage avec la pointe vers l'avant jusqu'en butée dans l'emmanchement pour couronnes pour perçement de boîtiers avec dispositif d'aspiration de poussière.
2. Monter l'emmanchement dans le porte-outil selon le montage de la couronne diamantée.
3. Repousser la bague d'arrêt et le dispositif d'aspiration de poussière en direction de l'appareil.
4. Monter la couronne pour perçement de boîtiers sur l'emmanchement.
5. Pousser le dispositif d'aspiration de poussière vers l'outil, jusqu'à ce qu'il touche la couronne diamantée et le fixer dans cette position tout en poussant la bague d'arrêt vers la couronne pour perçement de boîtiers.
6. Contrôler la liberté de rotation du dispositif d'aspiration de poussière en direction de l'appareil.

6.3.2 Couronne diamantée

1. Monter l'emmanchement pour la couronne diamantée avec le dispositif d'aspiration de poussière dans le porte-outil en fonction du montage de la couronne diamantée.
2. Monter la couronne diamantée sur l'emmanchement.

6.4 Sélection de la vitesse de rotation 5

ATTENTION

Ne pas mettre en service. Attendre que la broche soit arrêtée.

Choisir la vitesse en fonction du diamètre de forage utilisé. Tourner à la main le commutateur en même temps que la couronne diamantée, jusqu'à la position recommandée (voir chapitre Description.)

6.5 Démontage de la couronne diamantée



ATTENTION

L'outil peut devenir très chaud lors de son utilisation ou de son affûtage. L'utilisateur risque de se brûler les mains. **Utiliser des gants de protection pour changer d'outil.**

ATTENTION

Débrancher la fiche de la prise.

REMARQUE

Pour les porte-outils BR, BT, M27, M16, fixer le porte-outil et enlever ensuite la couronne diamantée respectivement à l'aide d'une clé à fourche appropriée.

1. Ouvrir le porte-outil (BI+) en tournant dans le sens du symbole Étrier ouvert.
2. Tirer la douille du mandrin sur le porte-outil dans le sens de la flèche vers l'appareil. Ceci permet de déverrouiller la couronne diamantée.
3. Enlever la couronne diamantée.

fr

7 Utilisation



AVERTISSEMENT

Veiller à ce que le câble d'alimentation réseau et les flexibles n'entrent pas en contact avec des pièces en rotation.

DANGER

Lors de travaux avec des couronnes diamantées ajustées, veiller à ne pas mettre les doigts dans les fentes.

ATTENTION

L'appareil et les travaux de forage sont bruyants. **Porter un casque antibruit.** Un bruit trop intense peut entraîner des lésions auditives.

ATTENTION

Le forage peut entraîner des projections dangereuses d'éclats de matériau. Les éclats de matériau peuvent entraîner des blessures corporelles et oculaires. **Utiliser des lunettes de protection et un casque de protection.**

AVERTISSEMENT

Du fait de ses applications, l'appareil a un couple de rotation élevé. **Utiliser la poignée latérale et toujours travailler en tenant l'appareil des deux mains.** L'utilisateur doit être préparé à l'éventualité d'un blocage soudain de l'outil.

DANGER

L'utilisateur doit être préparé à l'éventualité d'un blocage soudain de l'outil et être en équilibre parfaitement stable sur ses deux pieds.

7.1 Protection contre le vol TPS (en option)

REMARQUE

L'appareil peut être équipé, en option, de la fonction "Protection contre le vol". Si l'appareil est équipé avec cette fonction, il peut uniquement être débloqué et activé à l'aide de la clé de déblocage fournie.

7.1.1 Déblocage de l'appareil

1. S'assurer que l'appareil est alimenté par la tension du secteur. Le voyant jaune de protection contre le vol clignote. L'appareil est maintenant prêt à recevoir le signal de la clé de déblocage.
2. Placer la clé de déblocage ou la boucle de la montre TPS directement sur le symbole de cadenas. Sitôt que le voyant jaune de protection contre le vol s'éteint, l'appareil est débloqué.

REMARQUE Si l'alimentation électrique est coupée, par exemple lors du changement de poste de travail ou d'une panne de courant, l'appareil reste débloqué pendant environ 20 minutes. En cas de coupure plus longue, l'appareil doit à nouveau être débloqué à l'aide de la clé de déblocage.

7.1.2 Activation de la fonction de protection contre le vol de l'appareil

REMARQUE

Pour plus de détails concernant l'activation et l'utilisation de la protection contre le vol, consulter le mode d'emploi "Protection contre le vol".

7.2 Mettre le disjoncteur différentiel à courant de défaut PRCD en service et le contrôler (si existant)

1. Insérer la fiche d'alimentation de l'appareil dans une prise terre.
2. Appuyer sur la touche "Reset" du disjoncteur différentiel à courant de défaut PRCD. Le témoin lumineux doit s'allumer.

- Appuyer sur la touche "TEST" du disjoncteur différentiel à courant de défaut PRCD.
Le témoin lumineux doit s'éteindre.
- AVERTISSEMENT Si l'affichage ne disparaît pas, il ne faut pas poursuivre l'utilisation de l'appareil.** Confier la réparation de l'appareil à un personnel spécialisé qualifié utilisant des pièces de rechange d'origine.
Appuyer sur la touche "Reset" du disjoncteur différentiel à courant de défaut PRCD.
Le témoin lumineux doit s'allumer.

7.3 Travail avec dispositif d'aspiration de poussière

ATTENTION

Toujours tenir le tuyau d'aspiration à l'arrière de l'appareil, de sorte à ce qu'il ne puisse pas entrer en contact avec la couronne diamantée.

ATTENTION

Pour éliminer le matériau aspiré, se référer au mode d'emploi de l'aspirateur.

REMARQUE

Pour éviter tout effet électrostatique, utiliser un aspirateur antistatique.

7.3.1 Aspirateur avec prise secteur pour outils électroportatifs

ATTENTION

Lors de travaux avec un dispositif d'aspiration de poussière, ne pas utiliser de couronnes diamantées ajourées.

REMARQUE

Les opérations optionnelles doivent être réalisées en utilisant une amorce de forage en deux parties.

- Placer la poignée latérale dans la position souhaitée et la fixer.
- Mettre l'amorce de forage en place (en option).
- Insérer la fiche d'alimentation de l'appareil dans la prise de l'aspirateur de poussière.
- Insérer la fiche d'alimentation de l'aspirateur de poussière dans la prise et appuyer, si disponible, sur le contacteur "Reset" du PRCD.
- Positionner l'appareil au centre du forage.
- Appuyer sur l'interrupteur Marche / Arrêt de l'outil électroportatif.

REMARQUE L'aspirateur démarre en différé après l'outil électroportatif. Après l'arrêt de l'outil électroportatif, l'aspirateur s'arrête en différé.

- Au début du forage, le temps que la couronne de forage se centre, appuyer légèrement seulement puis renforcer la pression. Faire une coupe guidée de 3 à 5 mm (en option).
- Arrêter l'appareil en relâchant l'interrupteur Marche / Arrêt et attendre jusqu'à ce que la couronne diamantée soit complètement arrêtée (en option).
- Enlever l'amorce de forage hors de la couronne diamantée (en option).

- Positionner la couronne diamantée dans la coupe guidée, appuyer sur l'interrupteur Marche / Arrêt et poursuivre le forage (en option).

7.3.2 Aspirateur sans fiche d'alimentation secteur pour outils électroportatifs

ATTENTION

Lors de travaux avec un dispositif d'aspiration de poussière, ne pas utiliser de couronnes diamantées ajourées.

REMARQUE

Les opérations optionnelles doivent être réalisées en utilisant une amorce de forage en deux parties.

- Placer la poignée latérale dans la position souhaitée et la fixer.
- Mettre l'amorce de forage en place (en option).
- Insérer la fiche d'alimentation de l'aspirateur de poussière dans la prise et mettre l'aspirateur en marche.
- Insérer la fiche d'alimentation de l'appareil dans la prise et appuyer, si disponible, sur le contacteur "Reset" du PRCD.
- Appuyer sur l'interrupteur Marche / Arrêt de l'outil électroportatif.
- Au début du forage, le temps que la couronne de forage se centre, appuyer légèrement seulement puis renforcer la pression. Faire une coupe guidée de 3 à 5 mm (en option).
- Arrêter l'appareil en relâchant l'interrupteur Marche / Arrêt et attendre jusqu'à ce que la couronne diamantée soit complètement arrêtée (en option).
- Retirer l'amorce de forage hors de la couronne diamantée (en option).
- Positionner la couronne diamantée dans la coupe guidée, appuyer sur l'interrupteur Marche / Arrêt et poursuivre le forage (en option).
- Laisser l'aspirateur tourner quelques secondes plus longtemps que l'appareil avant de l'arrêter, pour aspirer encore le matériau résiduel.

7.4 Travail sans dispositif d'aspiration de poussière



REMARQUE

Utiliser les couronnes diamantées ajourées pour le forage sans aspirateur.

REMARQUE

Enlever le dispositif d'aspiration ou le fixer pour l'empêcher de tourner.

REMARQUE

Les opérations optionnelles doivent être réalisées en utilisant une amorce de forage en deux parties.

ATTENTION

Débrancher la fiche de la prise secteur pour enlever la carotte de forage.

DANGER

Porter un masque respiratoire léger.

REMARQUE

La poussière se dégagée dans toutes les directions. Le forage sans dispositif d'aspiration de poussière, en particulier sous plafond, n'est pas confortable et les performances pas optimales. C'est la raison pour laquelle il n'est pas recommandé de forer sous plafond sans dispositif d'aspiration de poussière. Il est toujours recommandé d'utiliser le dispositif d'aspiration de poussière avec un aspirateur approprié au forage à sec.

1. Placer la poignée latérale dans la position souhaitée et la fixer.
2. Mettre l'amorce de forage en place (en option).
3. Insérer la fiche d'alimentation dans la prise et appuyer, si disponible, sur le contacteur "Reset" du PRCD.
4. Positionner l'appareil au centre du forage.
5. Appuyer sur l'interrupteur Marche / Arrêt de l'outil électroportatif.
6. Au début du forage, le temps que la couronne de forage se centre, appuyer légèrement seulement puis renforcer la pression. Faire une coupe guidée de 3 à 5 mm (en option).
7. Arrêter l'appareil en relâchant l'interrupteur Marche / Arrêt et attendre jusqu'à ce que la couronne diamantée soit complètement arrêtée (en option).
8. Retirer l'amorce de forage hors de la couronne diamantée (en option).
9. Positionner la couronne diamantée dans la coupe guidée, appuyer sur l'interrupteur Marche / Arrêt et poursuivre le forage (en option).

7.5 Désactivation et démontage du système



ATTENTION

Se munir de gants de protection pour changer d'outil, car l'appareil peut être très chaud après utilisation.

8 Nettoyage et entretien

ATTENTION

Débrancher la fiche de la prise.

8.1 Entretien des outils et des pièces métalliques

Enlever toute trace de saleté et protéger la surface des outils et du porte-outil de la corrosion, en les frottant de temps à autre avec un chiffon imbibé d'huile.

Veiller à ce que la queue de la mèche soit toujours propre et légèrement graissée.

ATTENTION

La couronne diamantée est remplie de poussière et de matériau de forage. **S'assurer d'avoir un bon appui pour supporter le poids supplémentaire du matériau de forage.**

REMARQUE

Transporter l'appareil de préférence dans le coffret Hilti.

1. Relâcher l'interrupteur Marche / Arrêt sur l'outil électroportatif et retirer la couronne diamantée hors du trou de forage.
2. Le cas échéant, arrêter l'aspirateur utilisé.
3. Vérifier que l'appareil n'est plus raccordé au secteur.
4. Le cas échéant, enlever la carotte.
5. Enlever la couronne diamantée.

7.6 Étapes de travail en cas de coincement de la couronne de forage

Si la couronne de forage est coincée, l'accouplement à friction se désengage jusqu'à ce que l'opérateur arrête l'appareil. La couronne de forage peut être débloquée en procédant comme suit :

7.6.1 Desserrage de la couronne de forage à l'aide d'une clé à fourche

1. Débrancher la fiche de la prise.
2. Saisir la couronne de forage près de l'emmanchement à l'aide d'une clé à fourche appropriée et desserrer la couronne de forage en la tournant.
3. Brancher la fiche d'alimentation de l'appareil dans la prise.
4. Poursuivre le processus de forage.

7.7 Transport

ATTENTION

S'assurer que l'appareil n'est pas raccordé au réseau électrique.

REMARQUE

Déposer et transporter dans la mesure du possible l'appareil dans le coffret Hilti.

8.2 Maintenance de l'appareil

ATTENTION

Tenir l'appareil, en particulier les surfaces de préhension, sec, propre et exempt d'huile et de graisse. **Ne pas utiliser de nettoyants à base de silicone.**

Ne jamais faire fonctionner l'appareil si ses ouïes d'aération sont bouchées ! Les nettoyer avec précaution au moyen d'une brosse sèche. Éviter toute pénétration

de corps étrangers à l'intérieur de l'appareil. Nettoyer régulièrement l'extérieur de l'appareil avec un chiffon légèrement humide. Ne pas utiliser de pulvérisateur, de nettoyeur à jet de vapeur ni d'eau courante pour le nettoyage ! Sans quoi, la sûreté électrique de l'appareil risque d'être compromise.

8.3 Entretien

AVERTISSEMENT

Toute réparation des pièces électriques ne doit être effectuée que par un électricien qualifié.

Vérifier régulièrement toutes les pièces extérieures de l'appareil pour voir si elles ne sont pas abîmées et s'assurer que tous les organes de commande fonctionnent correctement. Ne pas utiliser l'appareil si des pièces sont abîmées ou si des organes de commande ne fonctionnent pas parfaitement. Faire réparer l'appareil par le S.A.V. Hilti.

8.4 Remplacement des balais de charbon 7

REMARQUE

Le témoin lumineux avec le symbole Clé à fourche s'allume lorsque les balais de charbon doivent être remplacés.

DANGER

L'appareil ne doit être utilisé, entretenu et réparé que par un personnel autorisé et formé à cet effet ! Ce

personnel doit être au courant des dangers inhérents à l'utilisation de l'appareil. Si les instructions suivantes ne sont pas respectées, il y a risque d'entrer en contact avec des tensions électriques dangereuses.

1. Débrancher l'appareil du réseau.
2. Ouvrir les couvercles des balais de charbon de part et d'autre de l'unité moteur.
3. Bien observer comment sont disposés les balais de charbon et les cordons. Retirer les balais de charbon usagés de l'appareil.
4. Installer les nouveaux balais de charbon exactement comme les anciens balais de charbon étaient disposés avant (numéro de pièce détachée : Balais de charbon AO ML 100-127 V : 39577 ; Balais de charbon AO ML 220-240 V : 39576).
5. Visser les couvercles des balais de charbon de part et d'autre de l'unité moteur.

REMARQUE Lors de la mise en place, veiller à ne pas endommager l'isolation du cordon à témoin.

REMARQUE Le témoin lumineux s'éteint après le remplacement des balais de charbon, sitôt que l'appareil est à nouveau raccordé au réseau.

8.5 Contrôle après des travaux de maintenance et d'entretien

Après des travaux de maintenance et d'entretien, vérifier si tous les équipements de protection sont bien en place et fonctionnent parfaitement.

9 Guide de dépannage

Défauts	Causes possibles	Solutions
L'appareil ne se met pas en marche	Alimentation par secteur interrompue	Brancher un autre appareil électrique, vérifier s'il fonctionne ; contrôler les fiches de raccordement, le câble électrique, le disjoncteur PRCD, le secteur
	Balais de charbon débranchés	Remplacement des balais de charbon Voir chapitre : 8.4 Remplacement des balais de charbon 7
	Interrupteur Marche / Arrêt défectueux	Faire réparer l'appareil par le S.A.V. Hilti
	Alimentation électrique interrompue	Contrôler le câble d'alimentation réseau et au besoin l'aspirateur, le câble de rallonge, la fiche d'alimentation, le disjoncteur PRCD et, si nécessaire, les faire remplacer par un électricien
	Défaillance électronique	Faire réparer l'appareil par le S.A.V. Hilti
L'appareil ne fonctionne pas et l'indicateur de maintenance s'allume	Balais de charbon usés	Remplacement des balais de charbon Voir chapitre : 8.4 Remplacement des balais de charbon 7
L'appareil ne fonctionne pas, les balais de charbon sont remplacés, l'indicateur de maintenance s'allume	Appareil endommagé	Faire réparer l'appareil par le S.A.V. Hilti

Défauts	Causes possibles	Solutions
L'indicateur de maintenance s'allume	Balais de charbon usés ; il reste encore quelques heures de fonctionnement.	Les balais de charbon devraient être remplacés. Voir chapitre : 8.4 Remplacement des balais de charbon 7
L'indicateur de maintenance clignote	Vitesse de rotation erronée	Faire réparer l'appareil par le S.A.V. Hilti.
L'appareil ne fonctionne pas, le voyant jaune de protection contre le vol clignote.	L'appareil n'est pas débloqué (pour les appareils avec protection contre le vol, en option).	Débloquer l'appareil à l'aide de la clé de déblocage.
Le moteur tourne, la couronne diamantée ne tourne pas	Variateur de vitesse non enclenché	Actionner le variateur de vitesse jusqu'à ce qu'il s'encliquette nettement
	Réducteur défectueux	Faire réparer l'appareil par le S.A.V. Hilti
La vitesse de forage diminue	Couronne diamantée polie	Affûter la couronne diamantée sur une surface d'affûtage
	Couronne diamantée polie	Spécifications de couronne de forage erronées, chercher conseil auprès du S.A.V. Hilti
	Carotte coincée dans la couronne diamantée	Retirer la carotte
	Profondeur de forage maximale atteinte	Retirer la carotte et utiliser une rallonge de couronne de forage
	Couronne diamantée défectueuse	Vérifier que la couronne diamantée n'est pas endommagée et la remplacer le cas échéant
	L'accouplement à friction se désengage trop tôt ou glisse	Faire réparer l'appareil par le S.A.V. Hilti
	La poussière freine la progression de forage	Utiliser un dispositif d'aspiration de poussière approprié
Impossible d'insérer la couronne diamantée dans le porte-outil	Emmanchement / porte-outil en-crassé ou endommagé	Nettoyer l'emmanchement / le porte-outil ou le remplacer le cas échéant
	Jeu trop important du système de forage	Couronne de forage insuffisamment vissée dans le porte-outil
	Emmanchement défectueux	Serrer fermement
		Emmanchement défectueux

10 Recyclage



Les appareils Hilti sont fabriqués pour une grande partie en matériaux recyclables dont la réutilisation exige un tri correct. Dans de nombreux pays, Hilti est déjà équipé pour reprendre votre appareil afin d'en recycler les composants. Consulter le service clients Hilti ou votre conseiller commercial.



Pour les pays de l'UE uniquement.

Ne pas jeter les appareils électriques dans les ordures ménagères !

Conformément à la directive européenne concernant les appareils électriques et électroniques anciens et sa transposition au niveau national, les appareils électriques usagés doivent être collectés séparément et recyclés de manière non polluante.

11 Garantie constructeur des appareils

En cas de questions relatives aux conditions de garantie, veuillez vous adresser à votre partenaire HILTI local.

12 Déclaration de conformité CE (original)

Désignation :	Carotteuse diamant
Désignation du modèle :	DD 110-D
Année de fabrication :	2007

Nous déclarons sous notre seule et unique responsabilité que ce produit est conforme aux directives et normes suivantes : jusqu'au 19 avril 2016 : 2004/108/CE, à partir du 20 avril 2016 : 2014/30/UE, 2006/42/CE, 2011/65/UE, EN 60745-1, EN 60745-2-1, EN ISO 12100.

**Hilti Corporation, Feldkircherstrasse 100,
FL-9494 Schaan**



Paolo Luccini
Head of BA Quality and Process Management
Business Area Electric Tools & Accessories
06/2015



Johannes Wilfried Huber
Senior Vice President
Business Unit Diamond

06/2015

Documentation technique par :

Hilti Entwicklungsgesellschaft mbH
Zulassung Elektrowerkzeuge
Hiltistrasse 6
86916 Kaufering
Deutschland

fr

Sistema de perforación de diamante DD 110-D

Lea detenidamente el manual de instrucciones antes de la puesta en servicio.

ES Conserve el manual de instrucciones siempre cerca de la herramienta.

En caso de traspaso a terceros, la herramienta siempre se debe entregar junto con el manual de instrucciones.

Índice	Página
1 Indicaciones generales	30
2 Descripción	31
3 Accesorios	33
4 Datos técnicos	33
5 Indicaciones de seguridad	35
6 Puesta en servicio	37
7 Manejo	39
8 Cuidado y mantenimiento	41
9 Localización de averías	42
10 Reciclaje	43
11 Garantía del fabricante de las herramientas	44
12 Declaración de conformidad CE (original)	44

1 Los números hacen referencia a las ilustraciones. Las ilustraciones se encuentran al principio del manual de instrucciones.

En este manual de instrucciones, la "herramienta" se refiere siempre a la perforadora de diamante DD 110-D.

Componentes de la herramienta, elementos de manejo y de indicación 1

Perforadora de diamante DD 110-D

- ① Empuñadura lateral
- ② Interruptor de cambio
- ③ Engranaje
- ④ Motor
- ⑤ Cubierta de las escobillas de carbón
- ⑥ Indicador de funcionamiento
- ⑦ Interruptor de conexión y desconexión
- ⑧ Empuñadura
- ⑨ Cable de red
- ⑩ Portaútiles
- ⑪ Equipamiento especial: TPS

1 Indicaciones generales

1.1 Señales de peligro y su significado

PELIGRO

Término utilizado para un peligro inminente que puede ocasionar lesiones graves o incluso la muerte.

ADVERTENCIA

Término utilizado para una posible situación peligrosa que puede ocasionar lesiones graves o la muerte.

PRECAUCIÓN

Término utilizado para una posible situación peligrosa que puede ocasionar lesiones o daños materiales leves.

INDICACIÓN

Término utilizado para indicaciones de uso y demás información de interés.

1.2 Explicación de los pictogramas y otras indicaciones

Símbolos de advertencia



Advertencia de peligro en general



Advertencia de tensión eléctrica peligrosa



Advertencia ante superficie caliente

Señales prescriptivas



Utilizar protección para los ojos



Utilizar casco de protección



Utilizar protección para los oídos



Utilizar guantes de protección



Utilizar mascarilla ligera



Utilizar zapatos de protección



Leer el manual de instrucciones antes del uso

Símbolos

/min

Revoluciones por minuto



Símbolo del cerrojo



Indicación de protección antirrobo



Indicador de funcionamiento



Recoger los materiales para su reutilización

Ubicación de los datos identificativos de la herramienta.

La denominación del modelo y la identificación de serie se indican en la placa de identificación de su herramienta. Anote estos datos en su manual de instrucciones y menciónelos siempre que realice alguna consulta a nuestros representantes o al Departamento de Servicio Técnico.

Modelo:

N.º de serie:

es

2 Descripción

2.1 Uso conforme a las prescripciones

La DD 110-D es una perforadora sacanúcleos de diamante con accionamiento eléctrico y apropiada para la perforación manual en seco mediante coronas perforadoras de diamante y avellanadores de diamante en mampostería.

La herramienta no es adecuada para taladrar hormigón u hormigón armado.

No está permitido taladrar materiales que produzcan polvo que sea conductor eléctrico y/o combustible (por ejemplo madera, magnesio).

A ser posible, utilice para su correspondiente aplicación un despolvador móvil apropiado, por ejemplo, el aspirador Hilti VCU 40, VCU 40-M o VCD 50.

Para evitar daños, utilice exclusivamente coronas de perforación Hilti originales y accesorios DD 110-D.

Siga también las instrucciones de seguridad y manejo del accesorio utilizado.

Siga las indicaciones relativas al manejo, cuidado y mantenimiento que se describen en el manual de instrucciones.

Esta herramienta ha sido diseñada para el usuario profesional y sólo debe ser manejada, conservada y reparada por personal autorizado y debidamente formado. Este personal deberá estar especialmente instruido en lo referente a los riesgos de uso. La herramienta y sus dispositivos auxiliares pueden conllevar riesgos para el usuario en caso de manejarse de forma inadecuada por personal no cualificado o utilizarse para usos diferentes a los que están destinados.

El entorno de trabajo puede ser: obra, taller, renovaciones, mudanzas y obra nueva.

Un funcionamiento correcto sólo es posible con la frecuencia y tensión de alimentación especificada en la placa de identificación.

No deben trabajarse materiales nocivos para la salud (p.ej., amianto).
No está permitido efectuar manipulaciones o modificaciones en la herramienta.

2.2 Uso en diversos equipamientos

Tipos de taladro para DD 110-D	Coronas de perforación \varnothing	Sentido de perforación	Superficie de trabajo
Perforaciones	16...162 mm ($\frac{5}{8}$ "...6 $\frac{1}{2}$ "")	Todas las direcciones	Mampostería (por ejemplo roca calcárea, ladrillo)
Taladros ciegos / avellanado	16...162 mm ($\frac{5}{8}$ "...6 $\frac{1}{2}$ "")	Todas las direcciones	Mampostería (por ejemplo roca calcárea, ladrillo)

2.3 Tabla de las velocidades y de los respectivos diámetros de la corona de perforación

Velocidad	Coronas de perforación PCM	Coronas de perforación HDM	Velocidad de giro en vacío
1	42...162 mm (1 $\frac{5}{8}$ " ... 6 $\frac{1}{2}$ "")	102...162 mm (4" ... 6 $\frac{1}{2}$ "")	650/min
2		16...87 mm ($\frac{5}{8}$ " ... 3 $\frac{1}{2}$ "")	1.380/min

2.4 Protección antirrobo TPS (opcional)

La herramienta puede estar equipada opcionalmente con la función de "protección antirrobo TPS". Si la herramienta está equipada con esta función, necesitará la llave de activación correspondiente para activarla y manejarla.

2.5 El suministro del equipamiento de serie incluye:

- 1 Herramienta con empuñadura lateral y porta-útiles
- 1 Manual de instrucciones
- 1 Maletín Hilti o embalaje de cartón

2.6 Uso de alargadores

Utilice exclusivamente el alargador autorizado con sección suficiente para el campo de aplicación prescrito.

Sección mínima recomendada y longitud máxima del cable:

Sección de cable	1,5 mm ²	2 mm ²	2,5 mm ²	3,5 mm ²
Tensión de alimentación 100 V	no recomendable	no recomendable	no recomendable	40 m
Tensión de alimentación 110-120 V	no recomendable	no recomendable	30 m	
Tensión de alimentación 220-240 V	30 m		50 m	

No utilice alargadores con una sección de cable de 1,25 mm². Para las herramientas con PRCD utilice exclusivamente alargadores que tengan un conductor de protección.

2.7 Uso de un generador o transformador

Esta herramienta puede accionarse desde un generador o transformador (por cuenta de la empresa explotadora) si se cumplen las siguientes condiciones: la potencia útil en vatios debe ser al menos el doble de la potencia que figura en la placa de identificación de la herramienta; la tensión de servicio debe oscilar siempre entre +5 % y -15 % respecto a la tensión nominal y la frecuencia debe ser de 50 a 60 Hz (nunca debe superar 65 Hz); debe existir, además, un regulador de tensión automático con refuerzo de arranque.

INDICACIÓN

La conexión y desconexión de otras herramientas puede ocasionar máximos de subtensión o sobretensión que pueden dañar la herramienta. No utilice el generador o el transformador con varias herramientas a la vez.

3 Accesorios

Denominación	Número de artículo, descripción
Protección antirrobo TPS (Theft Protection System) con Company Card, Company Remote y llave de activación TPS-K	Opcional
Aspiración de polvo	315773
Portátiles M16	315774
Portátiles BI+	315791
Portátiles BR	315792
Portátiles BT	315793
Mandril de corona dentada	315794
Portabrocas de sujeción rápida	315795
Conexión M27 para coronas de perforación	315805
Conexión BI+ para coronas de perforación	315806
Conexión M27 para coronas de perforación	315807
Conexión BI+ para coronas de perforación	315824
Empuñadura lateral	315825
Aspiración de polvo con conexión BI+ para coronas de perforación	315826
Aspiración de polvo con conexión M27 para coronas de perforación	315827
Aspiración de polvo con conexión BI+ para brocas corona	315828
Aspiración de polvo con conexión M27 para avellanadores	331621
Guía de centrado para avellanadores	281318
Guía de centrado para avellanadores BI+	209661

4 Datos técnicos

Reservado el derecho a introducir modificaciones técnicas.

Información sobre la herramienta y su aplicación

Dimensiones (L x An x Al)	446 mm x 120 mm x 170 mm
Peso según el procedimiento EPTA 01/2003	5,1 kg
Clase de protección	II
Clase de protección con PRCD	I

INDICACIÓN

La herramienta está disponible con diferentes voltajes nominales. El voltaje nominal y la potencia nominal de la herramienta figuran en la placa de identificación.

Voltaje nominal [V]	100	110	110	120	220	230	240
Frecuencia de red [Hz]	50...60	50	60	60	50/60	50...60	50
Potencia nominal [W]	1.450	1.600	1.570		1.600	1.600	1.600
Intensidad nominal [A]	15	15,4	15	14,1	7,7	7,4	7,1
Número de referencia de revoluciones en vacío, 1ª velocidad [rpm]	650	650	650	650	650	650	650
Número de referencia de revoluciones en vacío, 2ª velocidad [rpm]	1.380	1.380	1.380	1.380	1.380	1.380	1.380

INDICACIÓN

El nivel de vibración que se especifica en las instrucciones se ha medido conforme al protocolo de medición establecido en la norma EN 60745 y puede utilizarse para comparar distintas herramientas eléctricas. También es útil para realizar un análisis aproximativo de la carga de vibraciones. El nivel de vibración indicado es específico para las aplicaciones principales de la herramienta eléctrica. El nivel de vibración puede, no obstante, registrar variaciones si la herramienta eléctrica se emplea para otras aplicaciones, con útiles de inserción distintos o si se ha efectuado un mantenimiento insuficiente de la herramienta. En estos casos, la carga de vibraciones podría aumentar considerablemente durante toda la sesión de trabajo. A fin de obtener un análisis preciso de la carga de vibraciones también debe tenerse en cuenta los períodos en los que la herramienta está desconectada o conectada, pero no realmente en uso. En este caso, la carga de vibraciones podría reducirse notablemente durante toda la sesión de trabajo. Adopte las medidas de seguridad adicionales para proteger al usuario del efecto de las vibraciones, como p. ej.: mantenimiento de herramientas eléctricas y útiles de inserción, manos calientes, organización de los procesos de trabajo.

Información sobre el ruido (conforme a EN 60745-2-1)

Nivel medio de potencia acústica con ponderación A	95 dB (A)
Nivel medio de intensidad acústica con ponderación A.	84 dB (A)
Incertidumbres para el nivel acústico mencionado	3 dB (A)

Información adicional conforme a EN 60745-1, valores de vibración triaxiales (suma del vector de vibración)

Taladrar en roca calcárea (en seco) con corona de perforación PCM, $a_{h, DD}$	12 m/s ²
Taladrar en roca calcárea (en seco) con corona de perforación HDM, $a_{h, DD}$	5,8 m/s ²
Incertidumbres (K)	1,5 m/s ²

5 Indicaciones de seguridad

5.1 Indicaciones generales de seguridad para herramientas eléctricas

a) ADVERTENCIA

Lea con atención todas las instrucciones e indicaciones de seguridad. En caso de no respetar las instrucciones e indicaciones de seguridad que se describen a continuación, podría producirse una descarga eléctrica, incendio y/o lesiones graves. **Conserve todas las instrucciones e indicaciones de seguridad para futuras consultas.** El término «herramienta eléctrica» empleado en las indicaciones de seguridad se refiere a herramientas eléctricas portátiles, ya sea con cable de red o sin cable, en caso de ser accionadas por batería.

5.1.1 Seguridad en el puesto de trabajo

- a) **Mantenga su área de trabajo limpia y bien iluminada.** El desorden o una iluminación deficiente de las zonas de trabajo pueden provocar accidentes.
- b) **No utilice la herramienta eléctrica en un entorno con peligro de explosión, en el que se encuentren combustibles líquidos, gases o material en polvo.** Las herramientas eléctricas producen chispas que pueden llegar a inflamar los materiales en polvo o vapores.
- c) **Mantenga alejados a los niños y otras personas de su puesto de trabajo al emplear la herramienta eléctrica.** Una distracción le puede hacer perder el control sobre la herramienta.

5.1.2 Seguridad eléctrica

- a) **El enchufe de la herramienta eléctrica debe corresponder con la toma de corriente utilizada. No está permitido modificar el enchufe en forma alguna. No utilice enchufes adaptadores para las herramientas eléctricas con puesta a tierra.** Los enchufes sin modificar adecuados a las respectivas tomas de corriente reducen el riesgo de descarga eléctrica.
- b) **Evite el contacto corporal con superficies que tengan puesta a tierra, como pueden ser tubos, calefacciones, cocinas y frigoríficos.** El riesgo a quedar expuesto a una descarga eléctrica es mayor si su cuerpo tiene contacto con el suelo.
- c) **No exponga las herramientas eléctricas a la lluvia y evite que penetren líquidos en su interior.** El riesgo de recibir descargas eléctricas aumenta si penetra agua en la herramienta eléctrica.
- d) **No utilice el cable de red para transportar o colgar la herramienta eléctrica ni tire de él para extraer el enchufe de la toma de corriente. Mantenga el cable de red alejado de fuentes de calor, aceite, aristas afiladas o piezas móviles de la herramienta.** Los cables de red dañados o enredados pueden provocar descargas eléctricas.
- e) **Cuando trabaje al aire libre con una herramienta eléctrica, utilice exclusivamente un alargador adecuado para exteriores.** La utilización de

un cable de prolongación adecuado para su uso en exteriores reduce el riesgo de una descarga eléctrica.

- f) **Cuando no pueda evitarse el uso de la herramienta eléctrica en un entorno húmedo, utilice un interruptor de corriente de defecto.** La utilización de un interruptor de corriente de defecto evita el riesgo de una descarga eléctrica.

5.1.3 Seguridad de las personas

- a) **Permanezca atento, preste atención durante el trabajo y utilice la herramienta eléctrica con prudencia. No utilice la herramienta eléctrica si está cansado, ni tampoco después de haber consumido alcohol, drogas o medicamentos.** Un momento de descuido al utilizar la herramienta eléctrica podría producir graves lesiones.
- b) **Utilice el equipo de protección adecuado y lleve siempre gafas de protección.** El riesgo de lesiones se reduce considerablemente si, según el tipo y la aplicación de la herramienta eléctrica empleada, se utiliza un equipo de cubierta protectora adecuado como una mascarilla antipolvo, zapatos de seguridad con suela antideslizante, casco o protectores auditivos.
- c) **Evite una puesta en marcha fortuita de la herramienta. Asegúrese de que la herramienta eléctrica está apagada antes de alzarla, transportarla, conectarla a la alimentación de corriente y/o insertar la batería.** Si transporta la herramienta eléctrica sujetándola por el interruptor de conexión/desconexión o si introduce el enchufe en la toma de corriente con la herramienta conectada, podría producirse un accidente.
- d) **Retire las herramientas de ajuste o llaves fijas antes de conectar la herramienta eléctrica.** Una herramienta o llave colocada en una pieza giratoria puede producir lesiones al ponerse en funcionamiento.
- e) **Evite adoptar posturas forzadas. Procure que la postura sea estable y manténgase siempre en equilibrio.** De esta forma podrá controlar mejor la herramienta eléctrica en caso de presentarse una situación inesperada.
- f) **Utilice ropa adecuada. No utilice vestimenta amplia ni joyas. Mantenga su pelo, vestimenta y guantes alejados de las piezas móviles.** La vestimenta suelta, las joyas y el pelo largo se pueden enganchar con las piezas móviles.
- g) **Siempre que sea posible utilizar equipos de aspiración o captación de polvo, asegúrese de que están conectados y de que se utilizan correctamente.** El uso de un sistema de aspiración reduce los riesgos derivados del polvo.

5.1.4 Uso y manejo de la herramienta eléctrica

- a) **No sobrecargue la herramienta. Utilice la herramienta adecuada para el trabajo que se dispone a realizar.** Con la herramienta apropiada podrá traba-

es

jar mejor y de modo más seguro dentro del margen de potencia indicado.

- b) **No utilice herramientas con el interruptor defectuoso.** Las herramientas que no se puedan conectar o desconectar son peligrosas y deben repararse.
- c) **Extraiga el enchufe de la toma de corriente y/o la batería antes de efectuar cualquier ajuste en la herramienta, cambiar accesorios o en caso de no utilizar la herramienta durante un tiempo prolongado.** Esta medida preventiva reduce el riesgo de conexión accidental de la herramienta eléctrica.
- d) **Guarde las herramientas fuera del alcance de los niños. Evite que personas no familiarizadas con su uso o que no hayan leído este manual de instrucciones utilicen la herramienta.** Las herramientas utilizadas por personas inexpertas son peligrosas.
- e) **Cuide su herramienta eléctrica adecuadamente. Compruebe si las piezas móviles de la herramienta funcionan correctamente y sin atascarse, y si existen piezas rotas o deterioradas que pudieran afectar al funcionamiento de la herramienta eléctrica. Encargue la reparación de las piezas defectuosas antes de usar la herramienta eléctrica.** Muchos accidentes son consecuencia de un mantenimiento inadecuado de la herramienta eléctrica.
- f) **Mantenga los útiles limpios y afilados.** Las herramientas de corte bien cuidadas y con aristas afiladas se atascan menos y se guían con más facilidad.
- g) **Utilice la herramienta eléctrica, los accesorios, útiles, etc., de acuerdo con estas instrucciones. Para ello, tenga en cuenta las condiciones de trabajo y la tarea que se va a realizar.** El uso de herramientas eléctricas para trabajos diferentes de aquellos para los que han sido concebidas puede resultar peligroso.

5.1.5 Servicio técnico

- a) **Solicite que un profesional lleve a cabo la reparación de su herramienta eléctrica y que utilice exclusivamente piezas de repuesto originales.** Solamente así se mantiene la seguridad de la herramienta eléctrica.

5.2 Indicaciones de seguridad para taladradoras

- a) **Utilice las empuñaduras adicionales que se suministran con la herramienta.** La pérdida del control puede causar lesiones.
- b) **Sujete la herramienta por las empuñaduras aisladas cuando realice trabajos en los que la herramienta puede entrar en contacto con cables eléctricos ocultos o con el propio cable de la herramienta.** El contacto con los cables conductores puede traspasar la conductividad a las partes metálicas y producir descargas eléctricas.

5.3 Indicaciones de seguridad adicionales

5.3.1 Seguridad de personas

- a) **En modo manual, sujete siempre la herramienta con ambas manos por las empuñaduras previs-**

tas. Mantenga las empuñaduras secas, limpias y sin residuos de aceite o grasa.

- b) **Si la herramienta se utiliza sin un sistema de aspiración de polvo, debe utilizar una mascarilla ligera al realizar trabajos que generen polvo.**
- c) **Efectúe pausas durante el trabajo, así como ejercicios de relajación y estiramiento de los dedos para mejorar la circulación.**
- d) **No toque las piezas en movimiento. No conecte la herramienta fuera de la zona de trabajo.** Tocar piezas en movimiento, en especial herramientas rotativas, puede ocasionar lesiones.
- e) **Al trabajar, mantenga siempre el cable de red, el alargador y la manguera de aspiración de polvo alejados de la herramienta y por detrás de ésta.** Esto reduce el riesgo de caída debido a enredos con el cable o la manguera mientras se trabaja.
- f) **Es conveniente advertir a los niños de que no deben jugar con la herramienta.**
- g) **La herramienta no es apta para el uso por parte de niños o de personas físicamente no preparadas que no tengan la debida instrucción.**
- h) **El polvo procedente de materiales como pinturas con plomo, determinadas maderas, minerales y metal puede ser nocivo para la salud.** El contacto con el polvo o su inhalación puede provocar reacciones alérgicas o asfixia al usuario o a personas que se encuentren en su entorno. Existen determinadas clases de polvo, como pueden ser el de roble o el de haya, catalogadas como cancerígenas, especialmente si se encuentra mezclado con aditivos usados en el tratamiento de la madera (cromato, agente protector para la madera). Únicamente expertos cualificados están autorizados a manipular materiales que contengan asbesto. **Utilice siempre que sea posible un sistema de aspiración de polvo. Para obtener un elevado grado de efectividad en la aspiración de polvo, utilice un aspirador de polvo apto para madera y polvo mineral recomendado por Hilti y compatible con esta herramienta eléctrica. Procure que haya una buena ventilación del lugar de trabajo. Se recomienda utilizar una mascarilla de protección con filtro de la clase P2. Respete la normativa vigente en su país concerniente al procesamiento de los materiales de trabajo.**

5.3.2 Manipulación y utilización segura de las herramientas eléctricas

- a) **Asegure la pieza de trabajo. Utilice dispositivos de sujeción o un tornillo de banco para sujetar la pieza de trabajo.** De esta forma estará sujeta de modo más seguro que con la mano y, por otro lado, se podrán mantener libres ambas manos para el manejo de la herramienta.
- b) **Compruebe si los útiles disponen del sistema de inserción adecuado para la herramienta y si están enclavados en el portaútiles conforme a las prescripciones.**
- c) **En caso de interrupción de la corriente, desconecte la herramienta y extraiga el enchufe de red.** Esto evita la puesta en servicio involuntaria de la herramienta en caso de que vuelva la corriente.

5.3.3 Seguridad eléctrica

- Compruebe antes de empezar a trabajar si la zona de trabajo oculta cables eléctricos, tuberías de gas o cañerías de agua, por ejemplo, con un detector de metales.** Las partes metálicas exteriores de la herramienta pueden conducir electricidad si, por ejemplo, se ha dañado accidentalmente una conducción eléctrica. Esto conlleva un peligro grave de descarga eléctrica.
- Si el suministro incluye un PRCD, no utilice la herramienta nunca sin el PRCD suministrado (en la versión para GB, nunca sin transformador de separación).** Compruebe el PRCD antes de su uso.
- Compruebe con regularidad el cable de conexión de la herramienta y, en caso de que presentara daños, encargue su sustitución a un profesional experto en la materia.** Si el cable de conexión de la herramienta eléctrica está dañado, debe reemplazarse por un cable especial homologado que encontrará en nuestro Servicio Posventa. Inspeccione regularmente los alargadores y sustitúyalos en caso de que estuvieran dañados. Si se daña el cable de red o el alargador durante el trabajo, evite tocar el cable. Extraiga el enchufe de red de la toma de corriente. Los cables de conexión y los alargadores dañados son un peligro porque pueden ocasionar una descarga eléctrica.
- Al trabajar con una herramienta eléctrica al aire libre, asegúrese de que la herramienta esté conectada mediante un interruptor de corriente de defecto (RCD) con un máximo de 30 mA de corriente**

de activación a la red eléctrica. El uso de un interruptor de corriente de defecto reduce el riesgo de una descarga eléctrica.

- Se recomienda la utilización de un interruptor de corriente de defecto (RCD) con una corriente de desconexión máxima de 30 mA.**

5.3.4 Lugar de trabajo

- Procure que haya una buena ventilación del lugar de trabajo.** Los lugares de trabajo mal ventilados pueden perjudicar la salud debido a la carga de polvo.
- Conecte la aspiración de polvo en los trabajos que generen polvo. No deben perforarse materiales nocivos para la salud (p. ej., amianto).**

5.3.5 Equipo de seguridad personal



En caso de que se produzca polvo, el usuario y las personas que permanezcan cerca de éste deberán llevar gafas protectoras adecuadas, casco de protección, protectores auditivos, guantes de protección, zapatos de protección y una mascarilla ligera mientras se esté utilizando la herramienta.

6 Puesta en servicio



PRECAUCIÓN

La tensión de alimentación debe coincidir con los datos que aparecen en la placa de identificación. La herramienta no debe estar conectada a la corriente eléctrica.

PELIGRO

Al realizar trabajos de perforación en paredes, asegure la zona trasera de la pared, ya que el material o el testigo pueden desprenderse por detrás. Al realizar trabajos de perforación en techos, asegure la zona inferior, ya que el material o el testigo pueden desprenderse por abajo.

PRECAUCIÓN

La herramienta no puede estar conectada a la red durante su transporte. Extraiga el enchufe de red de la toma de corriente.

6.1 Coloque la empuñadura lateral 2

PRECAUCIÓN

Extraiga el enchufe de red de la toma de corriente.

- Abra el soporte de la empuñadura lateral girando la empuñadura.
- Gire la empuñadura lateral hasta alcanzar la posición deseada.
- Gire la empuñadura lateral para fijarla.

6.2 Montaje de la corona perforadora de diamante 3



PELIGRO

No utilice herramientas dañadas. Antes de utilizar la herramienta, compruebe si hay indicios de desprendimiento, agrietamiento, desgaste o de deterioro grave. No utilice herramientas defectuosas. Los fragmentos

que pueden desprenderse de la pieza de trabajo o las herramientas rotas pueden salir despedidos y provocar lesiones incluso fuera de la zona de trabajo.

INDICACIÓN

Las coronas perforadoras de diamante deben sustituirse cuando su capacidad de corte o de avance de perforación disminuyan notablemente. En general esto sucede cuando la altura del segmento de diamante es inferior a 2 mm.

PRECAUCIÓN

Para evitar daños, utilice exclusivamente coronas de perforación Hilti originales y accesorios DD 110-D. Para herramientas con portaútiles BI+ solamente pueden utilizarse coronas de perforación originales Hilti.

PRECAUCIÓN

La herramienta puede alcanzar temperaturas elevadas durante su utilización o al afilarla. Por consiguiente, puede quemarse las manos. **Utilice guantes de protección para cambiar de útil.**

PRECAUCIÓN

Extraiga el enchufe de red de la toma de corriente.

PRECAUCIÓN

Asegúrese de que la guía de centrado está colocada de forma segura en la corona de perforación.

PRECAUCIÓN

Si utiliza la guía de centrado no accione la herramienta sin entrar en contacto con la superficie de taladro en marcha en vacío.

INDICACIÓN

Los portaútiles BR, BT, M16, M27 se accionan con una llave de boca adecuada.

El portaútiles, el adaptador y la herramienta deben estar limpios.

1. Abra el portaútiles (BI+) girando en dirección al símbolo de la abrazadera abierta.
2. Inserte la corona perforadora de diamante desde delante hacia el engranaje del portaútiles (BI+) de la herramienta y gírela hasta que quede bloqueada.
3. Cierre el portaútiles (BI+) girando en dirección al símbolo de las abrazaderas cerradas.
4. Compruebe el firme asiento de la corona perforadora en el portaútiles. Para ello, tire de la corona perforadora de diamante y muévala de un lado a otro.

6.3 Montaje de la aspiración de polvo (opcional)

6.3.1 Avellanador 4

1. Desplace la guía de centrado con la punta hacia delante hasta el tope de la conexión para avellanadores con aspiración de polvo.

2. Monte la conexión en el portaútiles conforme al montaje de las coronas perforadoras de diamante.
3. Desplace el anillo de bloqueo y la aspiración de polvo en dirección a la herramienta.
4. Monte el avellanador en la conexión.
5. Desplace la aspiración de polvo en dirección a la herramienta hasta que se ajuste a la corona de perforación y fije esta posición; para ello desplace el anillo de bloqueo en dirección al avellanador.
6. Compruebe que la aspiración de polvo puede girar libremente hacia la herramienta.

6.3.2 Corona de perforación

1. Monte la conexión para la corona de perforación con aspiración de polvo en el portaútiles conforme al montaje de las coronas perforadoras de diamante.
2. Monte la corona de perforación en la conexión.

6.4 Selección de la velocidad 5

PRECAUCIÓN

No conectar en funcionamiento. Espere a que el husillo se detenga por completo.

Seleccione la posición del interruptor en función del diámetro de taladrado correspondiente. Gire el acelerador girando simultáneamente la mano en la corona de perforación hasta alcanzar la posición recomendada (véase el capítulo Descripción).

6.5 Desmontaje de la corona perforadora de diamante



PRECAUCIÓN

La herramienta puede alcanzar temperaturas elevadas durante su utilización o al afilarla. Por consiguiente, puede quemarse las manos. **Utilice guantes de protección para cambiar de útil.**

PRECAUCIÓN

Extraiga el enchufe de red de la toma de corriente.

INDICACIÓN

Para los portaútiles BR, BT, M27, M16, fije el portaútiles y, a continuación, retire la corona de perforación con una llave de boca adecuada.

1. Abra el portaútiles (BI+) girando en dirección al símbolo de la abrazadera abierta.
2. Extraiga el casquillo de accionamiento en el portaútiles en el sentido de la flecha respecto a la herramienta. De este modo se desbloquea la corona de perforación.
3. Retire la corona de perforación.

7 Manejo



ADVERTENCIA

Cerciórese de que ni el cable de red ni los tubos entren en contacto con piezas móviles.

PELIGRO

Al trabajar con coronas de perforación con ranuras tenga cuidado de no acercar los dedos a las ranuras.

PRECAUCIÓN

La herramienta y el proceso de taladrado generan ruido. Utilice protección para los oídos. Un ruido demasiado potente puede dañar los oídos.

PRECAUCIÓN

Durante los trabajos de taladrado puede desprenderse material peligroso. El material que sale disparado puede ocasionar lesiones en los ojos y en el cuerpo. Utilice gafas y casco de protección.

ADVERTENCIA

La herramienta tiene un par de giro demasiado elevado con respecto a su aplicación. Utilice la empuñadura lateral y sujete siempre la herramienta con ambas manos. El usuario debe estar preparado para cualquier bloqueo inesperado de la herramienta.

PELIGRO

El usuario debe estar preparado para cualquier bloqueo inesperado de la herramienta y tener los pies en una posición estable.

7.1 Protección antirrobo TPS (opcional)

INDICACIÓN

Si se desea, la herramienta puede equiparse con la función de "protección antirrobo". Si la herramienta está equipada con esta función, necesitará la llave de activación correspondiente para activarla y manejarla.

7.1.1 Activación de la herramienta

1. Asegúrese de que la herramienta está conectada a la alimentación eléctrica. El diodo amarillo de la protección antirrobo parpadea. La herramienta está lista para recibir la señal de la llave de activación.

2. Coloque la llave de activación o la hebilla del reloj TPS directamente en el símbolo del cerrojo. En cuanto se apague el diodo amarillo de la protección antirrobo, la herramienta estará activada.

INDICACIÓN Si se interrumpe la alimentación eléctrica, por ejemplo al cambiar de lugar de trabajo o al producirse un corte en la red eléctrica, la operatividad de la herramienta se mantiene durante aprox. 20 minutos. En caso de interrupciones más prolongadas, la herramienta debe activarse mediante la llave de activación.

7.1.2 Activación de la función de protección antirrobo para la herramienta

INDICACIÓN

La información relativa a la activación de la aplicación de protección antirrobo se encuentra en las instrucciones tituladas "Protección antirrobo".

7.2 Conectar el interruptor de corriente de defecto PRCD y controlarlo (en caso de que exista)

1. Introduzca el conector de red de la herramienta en una toma de corriente con conexión de puesta a tierra.
2. Presione el botón "Reset" en el interruptor de corriente de defecto PRCD. Debe mostrarse una indicación.
3. Presione el botón "TEST" en el interruptor de corriente de defecto PRCD. La indicación debe desaparecer.
4. **ADVERTENCIA** Si el indicador no se apaga, la herramienta no debe seguir utilizándose. Solicite a un profesional cualificado la reparación de su herramienta con piezas de repuesto originales. Presione el botón "Reset" en el interruptor de corriente de defecto PRCD. Debe mostrarse una indicación.

7.3 Trabajar con aspiración de polvo

PRECAUCIÓN

Al trabajar, mantenga siempre la manguera de aspiración alejada y por detrás de la herramienta para evitar que entre en contacto con la corona de perforación.

PRECAUCIÓN

Para reciclar el material absorbido lea las instrucciones del aspirador.

INDICACIÓN

Para evitar efectos electrostáticos utilice un aspirador antiestático.

7.3.1 Aspirador con toma de corriente para herramientas eléctricas **6**

PRECAUCIÓN

Al trabajar con aspiración de polvo no utilice coronas de perforación afiladas.

INDICACIÓN

Se pueden realizar los trabajos opcionales si se utiliza la guía de centrado de dos piezas.

1. Ajuste la empuñadura lateral en la posición deseada y fíjela.
2. Monte la guía de centrado (opcional).
3. Introduzca el conector de red de la herramienta en la toma de corriente del aspirador.
4. Introduzca el conector de red del aspirador en la herramienta en la toma de corriente y, en caso de que exista, presione el interruptor "Reset" del PRCD.
5. Coloque la herramienta en el centro del taladro.
6. Presione el interruptor de conexión/desconexión de la herramienta eléctrica.

INDICACIÓN El aspirador arranca más tarde que la herramienta eléctrica. Tras desconectar la herramienta eléctrica el aspirador se desconecta más tarde.

7. Al empezar a taladrar presione ligeramente hasta que se centre la corona de perforación y a continuación aumente la presión. Haga un orificio inicial de 3-5 mm de profundidad (opcional).
8. Sostenga la herramienta soltando el interruptor de conexión/desconexión y espere hasta que la corona de perforación se haya detenido completamente (opcional).
9. Retire la guía de centrado de la corona de perforación (opcional).
10. Coloque la corona de perforación en el orificio inicial, presione el interruptor de conexión/desconexión y siga taladrando (opcional).

7.3.2 Aspirador sin toma de corriente para herramientas eléctricas

PRECAUCIÓN

Al trabajar con aspiración de polvo no utilice coronas de perforación afiladas.

INDICACIÓN

Se pueden realizar los trabajos opcionales si se utiliza la guía de centrado de dos piezas.

1. Coloque la empuñadura lateral en la posición deseada y fíjela.
2. Monte la guía de centrado (opcional).
3. Introduzca el conector de red del aspirador en la toma de corriente y ponga en marcha el aspirador.
4. Introduzca el conector de red de la herramienta en la toma de corriente y, en caso de que exista, presione el interruptor "Reset" del PRCD.
5. Presione el interruptor de conexión/desconexión de la herramienta eléctrica.

6. Al empezar a taladrar presione ligeramente hasta que se centre la corona de perforación y a continuación aumente la presión. Haga un orificio inicial de 3-5 mm de profundidad (opcional).
7. Sostenga la herramienta soltando el interruptor de conexión/desconexión y espere hasta que la corona de perforación se haya detenido completamente (opcional).
8. Retire la guía de centrado de la corona de perforación (opcional).
9. Coloque la corona de perforación en el orificio inicial, presione el interruptor de conexión/desconexión y siga taladrando (opcional).
10. Deje que el aspirador siga funcionando unos segundos más que la herramienta antes de desconectarlo, para aspirar por completo el material restante.

7.4 Trabajar sin aspiración de polvo



INDICACIÓN

Utilice las coronas de perforación afiladas cuando taladre sin aspiración de polvo.

INDICACIÓN

Retire la aspiración de polvo o fíjelo para que no rote.

INDICACIÓN

Se pueden realizar los trabajos opcionales si se utiliza la guía de centrado de dos piezas.

PRECAUCIÓN

Si retira el testigo, extraiga el enchufe de red de la toma de corriente.

PELIGRO

Utilice una mascarilla ligera.

INDICACIÓN

Se producirá polvo en todas direcciones. Taladrar sin aspiración de polvo, en especial por encima de la cabeza, es muy desagradable y el rendimiento no es óptimo. Por tanto, no se recomienda taladrar por encima de la cabeza sin aspiración de polvo. Para taladrar en seco siempre es recomendable utilizar la aspiración de polvo con un aspirador adecuado.

1. Coloque la empuñadura lateral en la posición deseada y fíjela.
2. Monte la guía de centrado (opcional).
3. Introduzca el conector de red a la toma de corriente y, en caso de que exista, presione el conector "Reset" del PRCD.
4. Coloque la herramienta en el centro del taladro.
5. Presione el interruptor de conexión/desconexión de la herramienta eléctrica.

- Al empezar a taladrar presione ligeramente hasta que se centre la corona de perforación y a continuación aumente la presión. Haga un orificio inicial de 3-5 mm de profundidad (opcional).
- Sostenga la herramienta soltando el interruptor de conexión/desconexión y espere hasta que la corona de perforación se haya detenido completamente (opcional).
- Retire la guía de centrado de la corona de perforación (opcional).
- Coloque la corona de perforación en el orificio inicial, presione el interruptor de conexión/desconexión y siga taladrando (opcional).

7.5 Desconexión y desmontaje del sistema



PRECAUCIÓN

Utilice guantes de protección para cambiar de útil, ya que éste se calienta debido al uso.

PRECAUCIÓN

La corona de perforación está llena de polvo y material de perforación. **Asegúrese de tener una posición firme para soportar el peso adicional del material taladrado.**

INDICACIÓN

Transporte la herramienta preferiblemente en el maletín Hilti.

- Suelte el interruptor de conexión/desconexión de la herramienta eléctrica y retire despacio la corona de perforación del taladro.
- Desconecte el aspirador si es que ha utilizado alguno.
- Asegúrese de que la herramienta está desconectada de la corriente eléctrica.
- Retire el testigo en caso necesario.
- Retire la corona de perforación.

7.6 Actuación en caso de atascamiento de la corona perforadora

Si se atasca la corona perforadora, se activa el accoplamiento deslizante hasta que el usuario desconecta la herramienta. La corona perforadora puede soltarse realizando las siguientes acciones:

7.6.1 Extracción de la corona perforadora mediante llave de boca

- Extraiga el enchufe de red de la toma de corriente.
- Agarre la corona perforadora por la zona próxima al extremo de inserción con una llave de boca adecuada y suelte la corona girando la llave.
- Inserte el enchufe de red de la herramienta en la toma de corriente.
- Continúe con el proceso de perforación.

7.7 Transporte

PRECAUCIÓN

La herramienta no debe estar conectada a la corriente eléctrica.

INDICACIÓN

A ser posible, guarde y transporte la herramienta en un maletín.

8 Cuidado y mantenimiento

PRECAUCIÓN

Extraiga el enchufe de red de la toma de corriente.

8.1 Cuidado de las herramientas y las piezas de metal

Elimine la suciedad fuertemente adherida y proteja de corrosión la superficie de sus herramientas y de los portaútiles frotando de vez en cuando con un trapo empapado en aceite.

Mantenga siempre el extremo de inserción limpio y ligeramente engrasado.

8.2 Cuidado de la herramienta

PRECAUCIÓN

Mantenga la herramienta seca, limpia y libre de aceite y grasa, en especial las superficies de la empuñadura. No utilice productos de limpieza que contengan silicona.

No utilice nunca la herramienta si esta tiene obstruidas las rejillas de ventilación. Limpie cuidadosamente la re-

jilla de ventilación con un cepillo seco. Evite que entren cuerpos extraños en el interior de la herramienta. Limpie regularmente el exterior de la herramienta con un paño ligeramente humedecido. No utilice pulverizadores, aparatos de chorro de vapor o agua corriente para la limpieza, ya que podrían mermar la seguridad eléctrica de la herramienta.

8.3 Mantenimiento

ADVERTENCIA

La reparación de los componentes eléctricos sólo puede llevarla a cabo un técnico electricista cualificado.

Compruebe regularmente que ninguna de las partes exteriores de la herramienta esté dañada y que todos los elementos de manejo se encuentren en perfecto estado de funcionamiento. No use la herramienta si alguna de las piezas está dañada o si alguno de los elementos de manejo no funciona correctamente. Encargue la reparación de la herramienta al Servicio Técnico de Hilti.

8.4 Sustituya las escobillas de carbón 7

INDICACIÓN

El indicador luminoso con el símbolo de la llave de boca se ilumina cuando se precisa un cambio de las escobillas de carbón.

PELIGRO

Las operaciones de manejo, mantenimiento y reparación correrán a cargo exclusivamente de personal debidamente cualificado. Este personal debe estar especialmente instruido en lo referente a los riesgos de uso. Si no se observan las siguientes indicaciones se corre riesgo de entrar en contacto con tensión eléctrica peligrosa.

1. Desenchufe la herramienta de la red.
2. Abra las cubiertas de las escobillas de carbón a la izquierda y a la derecha del motor.

3. Asegúrese de que las escobillas de carbón y las trencillas quedan bien montadas. Extraiga las escobillas de carbón usadas de la herramienta.
4. Coloque las nuevas escobillas de carbón tal y como estaban colocadas las antiguas escobillas (número de pieza de recambio: escobillas de carbón AO ML 100-127 V: 39577; escobillas de carbón AO ML 220-240 V: 39576).

INDICACIÓN Al montarlas, cerciórese de que no dañe el aislante de las trencillas de señalización.

5. Atornille las cubiertas de las escobillas de carbón a la izquierda y a la derecha del motor.

INDICACIÓN El indicador luminoso se apaga después de cambiar las escobillas de carbón cuando se vuelve a conectar la herramienta a la red.

8.5 Control después de las tareas de cuidado y mantenimiento

Una vez realizadas las tareas de cuidado y mantenimiento debe comprobarse si están colocados todos los dispositivos de protección y si estos funcionan correctamente.

9 Localización de averías

Fallo	Posible causa	Solución
La herramienta no se pone en marcha.	El suministro de corriente se interrumpe.	Enchufe otra herramienta eléctrica y compruebe si funciona; compruebe los conectores, el cable de corriente, la red y PRCD
	Escobillas de carbón desconectadas	Sustituya las escobillas de carbón Véase el capítulo: 8.4 Sustituya las escobillas de carbón 7
	Interruptor de conexión y desconexión defectuoso	Encargue la reparación de la herramienta al Servicio Técnico de Hilti
	Alimentación de corriente interrumpida	Comprobar el cable de red, el aspirador, el alargador, el conector de red y el PRCD y encargar su sustitución al personal técnico cualificado
	Sistema electrónico defectuoso	Encargue la reparación de la herramienta al Servicio Técnico de Hilti
La herramienta no funciona y el indicador de funcionamiento está encendido.	Escobillas de carbón desgastadas	Sustituya las escobillas de carbón Véase el capítulo: 8.4 Sustituya las escobillas de carbón 7
La herramienta no funciona, las escobillas de carbón se han cambiado, el indicador de funcionamiento está encendido.	Existe un fallo en la herramienta.	Encargue la reparación de la herramienta al Servicio Técnico de Hilti.
El indicador de funcionamiento está encendido.	Escobillas de carbón desgastadas; aún pueden quedar unas horas de funcionamiento.	Las escobillas de carbón deben cambiarse. Véase el capítulo: 8.4 Sustituya las escobillas de carbón 7
El indicador de funcionamiento parpadea.	Error de número de revoluciones	Encargue la reparación de la herramienta al servicio técnico de Hilti.
La herramienta no funciona, el indicador de protección antirrobo parpadea en amarillo.	La herramienta no está activada (opcional en herramientas con protección antirrobo).	Active la herramienta con la llave de activación.

Fallo	Posible causa	Solución
El motor funciona. La corona perforadora de diamante no gira	Interruptor del cambio no enclavado	Accione el interruptor del cambio hasta asegurarse de la posición de enclavamiento
	Engranajes defectuosos	Encargue la reparación de la herramienta al Servicio Técnico de Hilti
La velocidad de perforación disminuye	Corona perforadora de diamante pulida	Afilar la corona perforadora de diamante en la placa afiladora
	Corona perforadora de diamante pulida	Especificación de corona perforadora errónea; solicite asesoramiento a Hilti
	El testigo se atasca en la corona perforadora de diamante	Retire el testigo
	Profundidad máxima de perforación alcanzada.	Retire el testigo y utilice el alargador de la corona de perforación.
	Corona perforadora de diamante defectuosa	Compruebe la presencia de daños en la corona perforadora de diamante y sustitúyala en caso necesario
	El acoplamiento deslizante se desacopla muy pronto o patina	Encargue la reparación de la herramienta al Servicio Técnico de Hilti
No es posible colocar la corona perforadora de diamante en el portaútiles	El polvo impide que se pueda seguir perforando	Utilice una aspiración adecuada
	Conexión/portaútiles sucio o dañado	Limpie la conexión/portaútiles o sustitúyala en caso necesario
El sistema de perforación tiene demasiado juego	Atornillado insuficiente de la corona de perforación en el portaútiles	Atornille debidamente
	Conexión defectuosa	Controle la conexión y sustitúyala en caso necesario

10 Reciclaje



Las herramientas Hilti están fabricadas en su mayor parte con materiales reutilizables. La condición para dicha reutilización es una separación de materiales adecuada. En muchos países, Hilti ya dispone de un servicio de recogida de la herramienta usada. Póngase en contacto con el Servicio de Atención al Cliente de Hilti o con su asesor de ventas.



Solo para países de la Unión Europea.

No desechar las herramientas eléctricas junto con los desperdicios domésticos.

De acuerdo con la Directiva Europea sobre residuos de aparatos eléctricos y electrónicos, así como su traslado a la legislación nacional, las herramientas eléctricas usadas se someterán a una recogida selectiva y a una reutilización compatible con el medio ambiente.

11 Garantía del fabricante de las herramientas

Si tiene alguna consulta acerca de las condiciones de la garantía, póngase en contacto con su sucursal local de Hilti.

12 Declaración de conformidad CE (original)

ES

Denominación:	Sistema de perforación de diamante
Denominación del modelo:	DD 110-D
Año de fabricación:	2007

Garantizamos que este producto cumple las siguientes normas y directrices: Hasta el 19 de abril de 2016: 2004/108/CE, a partir del 20 de abril de 2016: 2014/30/UE, 2006/42/CE, 2011/65/UE, EN 60745-1, EN 60745-2-1, EN ISO 12100.

Hilti Corporation, Feldkircherstrasse 100,
FL-9494 Schaan



Paolo Luccini
Head of BA Quality and Process Management
Business Area Electric Tools & Accessories
06/2015



Johannes Wilfried Huber
Senior Vice President
Business Unit Diamond
06/2015

Documentación técnica de:

Hilti Entwicklungsgesellschaft mbH
Zulassung Elektrowerkzeuge
Hiltistrasse 6
86916 Kaufering
Deutschland

DD 110-D Diamantboresystem

Læs brugsanvisningen grundigt igennem, inden maskinen tages i brug.

Opbevar altid brugsanvisningen sammen med maskinen.

Sørg for, at brugsanvisningen altid følger med ved overdragelse af maskinen til andre.

Indholdsfortegnelse	side
1 Generelle anvisninger	45
2 Beskrivelse	46
3 Tilbehør	48
4 Tekniske specifikationer	48
5 Sikkerhedsanvisninger	49
6 Ibrugtagning	52
7 Betjening	53
8 Rengøring og vedligeholdelse	55
9 Fejlsøgning	56
10 Bortskaffelse	57
11 Producentgaranti - Produkter	57
12 EF-overensstemmelseserklæring (original)	58

1 Tallene henviser til billeder. Billederne finder du i til-lægget til brugsanvisningen.
I denne brugsanvisning betegner "maskinen" altid dia-mantboremaskinen DD 110-D.

Maskinkomponenter, betjenings- og visningselemen-ter 1

Diamantboremaskine DD 110-D

- 1 Sidegreb
- 2 Gearkontakt
- 3 Gear
- 4 Motor
- 5 Kulbørsteafdækning
- 6 Serviceindikator
- 7 Tænd/sluk-knap
- 8 Håndtag
- 9 Netledning
- 10 Værktøjsholder
- 11 Ekstraudstyr: TPS

1 Generelle anvisninger

1.1 Signalord og deres betydning

FARE

Står ved en umiddelbart truende fare, der kan medføre alvorlige kvæstelser eller døden.

ADVARSEL

Advarer om en potentielt farlig situation, der kan forårsage alvorlige personskader eller døden.

FORSIGTIG

Advarer om en potentielt farlig situation, der kan forårsage lettere personskader eller materielle skader.

BEMÆRK

Står ved anvisninger om brug og andre nyttige oplysninger.

1.2 Forklaring af piktogrammer og yderligere anvisninger

Advarselssymboler



Generel fare



Advarsel om farlig elektrisk spænding



Advarsel om varm overflade

Påbudssymboler



Brug beskyttelsesbriller



Brug sikkerhedshjelm



Brug høreværn



Brug beskyttelseshandsker



Brug støvmaske



Brug sikkerhedssko



Læs brugsanvisningen før brug

da

Symboler

/min

Omdrejninger pr. minut



Låsesymbol



Bemærkning om tyverisikring



Serviceindikator



Send materialer til genvinding

Placering af identifikationsoplysninger på maskinen

Typebetegnelse og serienummer fremgår af maskinens typeskilt. Notér disse oplysninger i brugsanvisningen, og henvis til disse, når du henvender dig til vores kundeservice eller værksted.

Type:

Serienummer:

2 Beskrivelse

2.1 Bestemmelsesmæssig anvendelse

DD 110-D er en elektrisk diamantboremaskine og er beregnet til håndført tørboring med diamantborekroner og diamantundersænkere i murværk.

Maskinen er ikke egnet til boring i beton eller armeret beton.

Boring i materialer, som udvikler strømførende støv og/eller er brændbare (f.eks. træ, magnesium), er ikke tilladt.

Anvend så vidt muligt en til formålet egnet mobil udsugningsanordning, f.eks. en Hilti-støvsuger VCU 40, VCU 40-M eller VCD 50.

Benyt kun originale Hilti-borekroner og DD 110-D tilbehør for at undgå at komme til skade.

Overhold også sikkerheds- og betjeningsanvisningerne for det anvendte tilbehør.

Overhold forskrifterne i denne brugsanvisning med hensyn til drift, pleje og vedligeholdelse.

Maskinen er beregnet til professionel brug og må kun betjenes, efterses og vedligeholdes af autoriseret og instrueret personale. Dette personale skal i særdeleshed informeres om de potentielle farer, der er forbundet med brugen af denne maskine. Der kan opstå farlige situationer ved anvendelse af maskinen og det tilhørende udstyr, hvis den anvendes af personer, der ikke er blevet undervist i dets brug, eller hvis det ikke anvendes korrekt i henhold til forskrifterne i denne brugsanvisning.

Maskinen kan anvendes følgende steder og til følgende formål: på byggepladser, på værksteder, til renovering, til ombygning, til nybygning.

Maskinen må kun sluttes til den netspænding og -frekvens, som er angivet på typeskiltet.

Det er ikke tilladt at bearbejde sundhedsfarlige materialer, f.eks. asbest.

Det er ikke tilladt at modificere eller tilføje ekstra dele til maskinen.

2.2 Anvendelse med forskelligt udstyr

Boringstyper for DD 110-D	Borekrone- \emptyset	Boreretning	Materiale
Gennembrudsboringer	16...162 mm ($\frac{5}{8}$ "...6 $\frac{1}{2}$ " ¹⁾)	Alle retninger	Murværk (f.eks. kalksandsten, tegl)
Blindhulsboring / undersækning	16...162 mm ($\frac{5}{8}$ "...6 $\frac{1}{2}$ " ¹⁾)	Alle retninger	Murværk (f.eks. kalksandsten, tegl)

2.3 Tabel med gear og de tilhørende borekronediametre

gear	PCM-borekroner	HDM-borekroner	Omdrejningstal, ubelastet
1	42...162 mm (1 $\frac{5}{8}$ " ... 6 $\frac{1}{2}$ " ¹⁾)	102...162 mm (4" ... 6 $\frac{1}{2}$ " ¹⁾)	650/min
2		16...87 mm ($\frac{5}{8}$ " ... 3 $\frac{1}{2}$ " ¹⁾)	1.380/min

da

2.4 Tyverisikring TPS (ekstratilbehør)

Maskinen kan forsynes med "tyverisikring" (TPS) som ekstratilbehør. Hvis maskinen er forsynet med denne funktion, kan den kun aktiveres og anvendes med den tilhørende aktiveringsnøgle.

2.5 Medfølgende dele:

- 1 Maskine med sidegreb og værktøjsholder
- 1 Brugsanvisning
- 1 Hilti-kuffert eller papemballage

2.6 Anvendelse af forlængerledning

Brug kun forlængerledninger med tilstrækkeligt tværsnit, der er godkendt til det pågældende anvendelsesområde.

Anbefalede minimale tværsnit og maksimale ledningslængder:

Ledertværsnit	1,5 mm ²	2 mm ²	2,5 mm ²	3,5 mm ²
Netspænding 100 V	Anbefales ikke	Anbefales ikke	Anbefales ikke	40 m
Netspænding 110-120 V	Anbefales ikke	Anbefales ikke	30 m	
Netspænding 220-240 V	30 m		50 m	

Anvend ikke forlængerledninger med 1,25 mm² ledertværsnit. Ved maskiner med PRCD må der kun anvendes forlængerledning med beskyttelsesleder.

2.7 Brug af generator eller transformator

Denne maskine kan anvendes sammen med en generator eller transformator på arbejdsstedet, hvis følgende betingelser overholdes: Den afgivne effekt i watt skal være mindst det dobbelte af den spænding, der fremgår af maskinens typeskilt, driftsspændingen skal til enhver tid ligge mellem +5 % og -15 % i forhold til den nominelle spænding, og frekvensen skal ligge på 50 til 60 Hz, aldrig over 65 Hz. Der skal være en automatisk spændingsregulator med startforstærkning.

BEMÆRK

Når andre maskiner tændes og slukkes, kan der opstå underspændings- og/eller overspændingsspidser, som kan beskadige maskinen. Slut aldrig andre maskiner til generatoren/transformatoren samtidig.

3 Tilbehør

Betegnelse	Varenummer, beskrivelse
Tyverisikring TPS (Theft Protection System) med Company Card, Company Remote og aktiveringsnøgle TPS-K	Ekstratilbehør
Støvsugerenhed	315773
Værkstedsholder M16	315774
Værktøjsholder BI+	315791
Værktøjsholder BR	315792
Værktøjsholder BT	315793
Tandkranspatron	315794
Selvspændende borepatron	315795
Indstiksende M27 til undersænker	315805
Indstiksende BI+ til undersænker	315806
Indstiksende M27 til borekroner	315807
Indstiksende BI+ til borekroner	315824
Sidegreb	315825
Støvdugugning med indstiksende BI+ til borekroner	315826
Støvdugugning med indstiksende M27 til borekroner	315827
Støvdugugning med indstiksende BI+ til undersænker	315828
Støvdugugning med indstiksende M27 til undersænker	331621
Forboringshjælp Undersænker	281318
Forboringshjælp Undersænker BI+	209661

4 Tekniske specifikationer

Ret til tekniske ændringer forbeholdes!

Oplysninger om maskine og brug

Mål (L x B x H)	446 mm x 120 mm x 170 mm
Vægt i overensstemmelse med EPTA-procedure 01/2003	5,1 kg
Kapslingsklasse	II
Kapslingsklasse med PRC	I

BEMÆRK

Maskinen fås med forskellige nominelle spændinger. Den nominelle spænding og det nominelle spændingsforbrug står på typeskiltet.

Mærkespænding [V]	100	110	110	120	220	230	240
Netfrekvens [Hz]	50...60	50	60	60	50/60	50...60	50
Mærkeeffekt [W]	1.450	1.600	1.570		1.600	1.600	1.600
Mærkestrøm [A]	15	15,4	15	14,1	7,7	7,4	7,1

Mærkespænding [V]	100	110	110	120	220	230	240
Nominelt omdrejningstal, ubelastet 1. gear [o/min]	650	650	650	650	650	650	650
Nominelt omdrejningstal, ubelastet 2. gear [o/min]	1.380	1.380	1.380	1.380	1.380	1.380	1.380

BEMÆRK

Det vibrationsniveau, der angives i disse anvisninger, er målt med en målemetode, der opfylder bestemmelserne i EN 60745, og kan anvendes i forbindelse med en sammenligning af forskellige elværktøjer. Det kan også anvendes til en foreløbig vurdering af vibrationsbelastningen. Det angivne vibrationsniveau dækker de væsentlige anvendelsesformål for elværktøj. Hvis elværktøjet imidlertid anvendes til andre formål, med andre indsatsværktøjer eller utilstrækkelig vedligeholdelse, kan vibrationsniveauet afvige. Dette kan forøge vibrationsbelastningen i hele arbejdstiden markant. For at opnå en præcis vurdering af vibrationsbelastningen bør også den tid, hvor maskinen er slukket eller blot kører uden at blive anvendt, inddrages. Dette kan reducere vibrationsbelastningen i hele arbejdstiden markant. Fastlæg yderligere sikkerhedsforanstaltninger til beskyttelse af brugeren mod vibrationspåvirkninger, f.eks. er det vigtigt at vedligeholde elværktøj og indsatsværktøj, at holde hænderne varme og at organisere arbejdsprocesserne.

Støjinformation (målt ifølge EN 60745-2-1)

Typisk A-vægtet lydeffektniveau	95 dB (A)
Typisk A-vægtet emissionslydtrykniveau	84 dB (A)
Usikkerhed for det nævnte lydniveau	3 dB (A)

Ekstra informationer ifølge EN 60745-1, triaksiale vibrationsværdier (vibrationsvektorsum)

Boring i kalksandsten (tør) med PCM-borekrone, $a_{h, DD}$	12 m/s ²
Boring i kalksandsten (tør) med HDM-borekrone, $a_{h, DD}$	5,8 m/s ²
Usikkerhed (K)	1,5 m/s ²

5 Sikkerhedsanvisninger

5.1 Generelle sikkerhedsanvisninger for elværktøj

a) ADVARSEL

Læs alle sikkerhedsanvisninger og instruktioner. Hvis sikkerhedsanvisningerne og instruktionerne ikke overholdes, er der risiko for elektrisk stød, brand og/eller alvorlige personskader. **Opbevar alle sikkerhedsanvisninger og instruktioner til senere brug.** Det benyttede begreb "elværktøj" i sikkerhedsanvisningerne refererer til elektriske maskiner (med netledning) og batteridrevne maskiner (uden netledning).

5.1.1 Arbejdspladssikkerhed

a) **Sørg for at holde arbejdsområdet ryddeligt og godt oplyst.** Uorden eller uoplyste arbejdsområder øger faren for uheld.

b) **Brug ikke elværktøj i eksplosionsstruede omgivelser, hvor der er brændbare væsker, gasser eller støv.** Maskiner kan slå gnister, der kan antænde støv eller dampe.

c) **Sørg for, at andre personer og ikke mindst børn holdes væk fra arbejdsområdet, når maskinen er i brug.** Hvis man distraheres, kan man miste kontrollen over maskinen.

5.1.2 Elektrisk sikkerhed

a) **Elværktøjets stik skal passe til kontakten. Stikket må under ingen omstændigheder ændres. Brug ikke adapterstik sammen med jordforbundne elværktøjer.** Uændrede stik, der passer til kontakterne, nedsætter risikoen for elektrisk stød.

- b) **Undgå kropskontakt med jordforbundne overflader som f.eks. rør, radiatorer, komfurer og køleskabe.** Hvis din krop er jordforbundet, øges risikoen for elektrisk stød.
- c) **Elværktøj må ikke udsættes for regn eller fugt.** Indtrængning af vand i elværktøj øger risikoen for elektrisk stød.
- d) **Brug ikke ledningen til formål, den ikke er beregnet til (f.eks. må man aldrig bære elværktøjet i ledningen, hænge det op i ledningen eller rykke i ledningen for at trække stikket ud af kontakten).** Beskyt ledningen mod varme, olie, skarpe kanter eller maskindele, der er i bevægelse. Beskadigede eller sammenviklede ledninger øger risikoen for elektrisk stød.
- e) **Hvis maskinen benyttes i det fri, må der kun benyttes en forlængerledning, der er egnet til udendørs brug.** Brug af forlængerledning til udendørs brug nedsætter risikoen for elektrisk stød.
- f) **Hvis det ikke kan undgås at anvende elværktøjet i fugtige omgivelser, skal du anvende et fejlstrømsrelæ.** Anvendelsen af et fejlstrømsrelæ nedsætter risikoen for et elektrisk stød.

5.1.3 Personlig sikkerhed

- a) **Det er vigtigt at være opmærksom, se, hvad man laver, og bruge maskinen fornuftigt. Man bør ikke bruge maskinen, hvis man er træt, har nydt alkohol eller er påvirket af medicin eller euforiserende stoffer.** Få sekunders uopmærksomhed ved brug af maskinen kan medføre alvorlige personskader.
- b) **Brug beskyttelsesudstyr, og hav altid beskyttelsesbriller på.** Brug af sikkerhedsudstyr som f.eks. støvmaske, skridsikkert fodtøj, beskyttelseshjelm eller høreværn afhængigt af maskintype og anvendelse nedsætter risikoen for personskader.
- c) **Undgå utilsigtet igangsætning. Kontrollér, at elværktøjet er frakoblet, før du slutter det til strømforsyningen og/eller batteriet, tager det op eller transporterer det.** Undgå at bære elværktøjet med fingeren på afbryderen, og sørg for, at det ikke er tændt, når det slutes til nettet, da dette øger risikoen for personskader.
- d) **Fjern indstillingsværktøj eller skruenøgler, inden elværktøjet tændes.** Hvis et stykke værktøj eller en nøgle sidder i en roterende maskindel, er der risiko for personskader.
- e) **Undgå at arbejde i unormale kroppsstillinger. Sørg for at stå sikkert, mens der arbejdes, og kom ikke ud af balance.** Det er derved nemmere at kontrollere elværktøjet, hvis der skulle opstå uventede situationer.
- f) **Brug egnet arbejdstøj. Undgå løse beklædningsgenstande eller smykker. Hold hår, tøj og handsker væk fra dele, der bevæger sig.** Dele, der er i bevægelse, kan gribe fat i løstsiddende tøj, smykker eller langt hår.
- g) **Hvis støvudsugnings- og opsamlingsudstyr kan monteres, er det vigtigt, at dette tilsluttes og benyttes korrekt.** Ved at anvende en støvudsugning er det muligt at nedsætte risiciene som følge af støv.

5.1.4 Anvendelse og pleje af elværktøj

- a) **Undgå at overbelaste maskinen. Brug altid en maskine, der er beregnet til det stykke arbejde, der skal udføres.** Med det rigtige værktøj arbejder man bedst og mest sikkert inden for det angivne effektområde.
- b) **Brug ikke maskinen, hvis afbryderen er defekt.** En maskine, der ikke kan startes og stoppes, er farlig og skal repareres.
- c) **Træk stikket ud af stikkontakten, og/eller fjern batteriet fra maskinen, inden du foretager indstillinger på den, skifter tilbehørsdele eller lægger den til side.** Disse sikkerhedsforanstaltninger forhindrer utilsigtet start af elværktøjet.
- d) **Opbevar ubenyttede maskiner uden for børns rækkevidde. Lad aldrig personer, der ikke er fortrolige med maskinen eller ikke har gennemlæst sikkerhedsanvisningerne benytte maskinen.** Maskiner er farlige, hvis de benyttes af ukyndige personer.
- e) **Sørg for at pleje elværktøj omhyggeligt. Kontrollér, om bevægelige dele fungerer korrekt og ikke sidder fast, og om delene er brækket eller beskadiget, således at elværktøjets funktion påvirkes. Få beskadigede dele repareret, inden elværktøjet tages i brug.** Mange uheld skyldes dårligt vedligeholdte elværktøjer.
- f) **Sørg for, at skæreværktøjer er skarpe og rene.** Omhyggeligt vedligeholdt skæreværktøjer med skarpe skærekanter sætter sig ikke så hurtigt fast og er nemmere at fære.
- g) **Anvend elværktøj, tilbehør, indsatsværktøj osv. i overensstemmelse med disse anvisninger. Tag hensyn til arbejdsforholdene og det arbejde, der skal udføres.** I tilfælde af anvendelse af maskinen til formål, som ligger uden for det fastsatte anvendelsesområde, kan der opstå farlige situationer.

5.1.5 Service

- a) **Sørg for, at elværktøjet kun repareres af kvalificerede fagfolk, og at der altid benyttes originale reservedele.** Dermed sikres størst mulig elværktøjsikkerhed.

5.2 Sikkerhedsanvisninger for boremaskiner

- a) **Brug de ekstrahåndgreb, som følger med maskinen.** Hvis du mister kontrollen, kan det medføre personskader.
- b) **Hold kun maskinen i de isolerede håndtag, når du udfører arbejder, hvor indsatsværktøjet kan ramme skjulte elledninger eller maskinens netkabel.** Ved kontakt med en spændingsførende ledning kan også metalliske værktøjsdele sættes uden spænding, hvilket kan medføre elektrisk stød.

5.3 Yderligere sikkerhedsanvisninger

5.3.1 Personlig sikkerhed

- a) **Hold altid fast i maskinen med begge hænder på de to dertil beregnede greb, når maskinen føres**

i hånden. Hold håndtagene tørre, rene og fri for olie og fedt.

- b) Hvis maskinen anvendes uden støvudsugning, skal du bruge åndedrætsværn.
- c) Hold pauser under arbejdet, og lav afspændings- og fingerøvelser, så dine fingre får en bedre blodgennemstrømning.
- d) Undgå at berøre roterende dele. Tænd først maskinen, når du befinder dig i arbejdsområdet. Berøring af roterende dele, især roterende værktøjer, kan medføre personskader.
- e) Sørg for at føre netkablet, forlængerledningen og eventuelt også støvsugerslangen efter maskinen under arbejdet. Dette mindsker risikoen for at snuble i kabel, ledning eller slange under arbejdet.
- f) Børn bør gøres opmærksomme på, at de ikke må lege med maskinen.
- g) Maskinen må ikke anvendes af børn eller svage-lige personer, der ikke er instrueret i brugen.
- h) Støv fra materialer såsom blyholdig maling, visse træsorter, mineraler og metal kan være sundhedsfarlige. Berøring eller indånding af støv kan medføre allergiske reaktioner og/eller luftvejssygdomme hos brugeren eller personer, der opholder sig i nærheden. Bestemte støvtyper, f.eks. støv fra ege- og bøgetræ, er kræftfremkaldende, især i forbindelse med tilsætningsstoffer til træbehandling (kromat, træbeskyttelsesmidler). Asbestholdige materialer må kun bearbejdes af fagfolk. Anvend så vidt muligt støvudsugning. For at sikre en effektiv støvudsugning anbefales det at anvende en egnet mobil støvudsugning anbefalet af Hilti til træ- og/eller mineralstøv, som er tilpasset til det pågældende elværktøj. Sørg for god udluftning af arbejdspladsen. Det anbefales at bruge åndedrætsværn med filterklasse P2. Overhold de gældende nationale forskrifter vedrørende de materialer, der skal bearbejdes.

5.3.2 Omhyggelig omgang med og brug af maskiner

- a) Sørg for at sikre emnet. Brug fastspændingsværktøj eller en skruestik til at fastspænde emnet. På den måde holdes det mere sikkert fast end med hånden, og du har desuden begge hænder fri til at betjene maskinen.
- b) Kontrollér, at værktøjet passer til maskinens værktøjholder, og at det er låst korrekt fast i holderen.
- c) Sluk maskinen ved strømafbrydelser, og træk netstikket ud. Dette forhindrer utilsigtet ibrugtagning af maskinen, når strømmen vender tilbage.

5.3.3 Elektrisk sikkerhed

- a) Kontrollér før påbegyndelse af arbejdet arbejdsområdet for skjulte elektriske ledninger, gas- og vandrør, f.eks. med en metaldetektor. Udvendige metaldele på maskinen kan blive spændingsførende, hvis du f.eks. utilsigtet har beskadiget en elledning. Dette medfører en alvorlig fare for at få elektrisk stød.
- b) Hvis en PRCD medfølger ved levering, skal maskinen altid anvendes med den medfølgende PRCD (GB-versionen aldrig uden skilletransformator). Kontrollér altid PRCD før brug.
- c) Kontrollér maskinens tilslutningsledning regelmæssigt, og få den udskiftet af en fagmand, hvis den er beskadiget. Hvis tilslutningskablet til det elektriske værktøj er ødelagt, skal det udskiftes med en særlig godkendt tilslutningsledning, der fås i kundeserviceafdelingen. Kontrollér jævnligt forlængerledningerne, og udskift dem, hvis de er beskadigede. Hvis el- eller forlængerledningen bliver beskadiget under arbejdet, må du ikke røre ved ledningen. Træk stikket ud af stikkontakten. Beskadigede elledninger og forlængerledninger medfører fare for at få elektrisk stød.
- d) Når du arbejder udendørs med elværktøj, skal du sikre dig, at maskinen er sluttet til lysnettet via et fejlstrømsrelæ (HFI) med maks. 30 mA brydestrøm. Anvendelse af et fejlstrømsrelæ nedsætter risikoen for at få et elektrisk stød.
- e) Det anbefales at anvende et fejlstrømsrelæ (HFI) med en brydestrøm på maks. 30 mA.

5.3.4 Arbejdsplads

- a) Sørg for god udluftning af arbejdspladsen. Dårligt udluftede arbejdspladser kan være sundhedsskadelige som følge af støvpåvirkningen.
- b) Slut en støvudsugning til, hvis der dannes støv under arbejdet. Det er ikke tilladt at bore i sundhedsfarlige materialer, f.eks. asbest.

5.3.5 Personligt beskyttelsesudstyr



Brugeren og personer, som opholder sig i nærheden, skal under brug af maskinen bære egnede beskyttelsesbriller, beskyttelseshjelm, høreværn, beskyttelseshandsker, sikkerhedssko og et let åndedrætsværn, i tilfælde af udvikling af støv.

da

6 Ibrugtagning



FORSIGTIG

Netspændingen skal svare til angivelsen på typeskiltet. Maskinen må ikke være sluttet til elnettet.

da

FARE

Sørg ved gennembrudsboringer gennem vægge for at sikre området bag væggen, da materiale eller borekernen kan falde ud på bagsiden. Sørg ved gennembrudsboringer gennem lofter for at sikre området nedenunder, da materiale eller borekernen kan falde ned.

FORSIGTIG

Maskinen må ikke være sluttet til lysnettet under transport. Træk stikket ud.

6.1 Positionering af sidegreb 2

FORSIGTIG

Træk stikket ud af stikkontakten.

1. Løsn sidegrebets holder ved at dreje på håndtaget.
2. Drej sidegrebet til den ønskede position.
3. Fastgør sidegrebet, så det ikke kan drejes, ved at dreje på grebet.

6.2 Montering af diamantborekrone 3



FARE

Anvend aldrig beskadigede indsatsværktøjer. Kontrollér altid indsatsværktøjer for afskalning og ridser, slitage eller kraftig nedslidning før brug. Anvend aldrig beskadigede værktøjer. Brudstykker fra emnet eller beskadigede indsatsværktøjer kan slynges ud og medføre personskader også uden for det direkte arbejdsområde.

BEMÆRK

Diamantborekrone skal udskiftes, så snart deres skæreydelse eller fremdriften i borearbejdet falder mærkbart. Generelt er dette tilfældet, når diamantsegmenternes højde er lavere end 2 mm.

FORSIGTIG

Benyt kun originale Hilti-borekrone og DD 110-D tilbehør for at undgå at komme til skade. På maskiner med en BI+ værktøjsholder er kun originale Hilti-borekrone tilladte.

FORSIGTIG

Værktøjet kan blive meget varmt ved brug eller ved slibning. Du kan få forbrændinger på hænderne. **Brug derfor altid beskyttelseshandsker, når du skifter værktøj.**

FORSIGTIG

Træk stikket ud af stikkontakten.

FORSIGTIG

Kontrollér, at forboringshjælpen er positioneret korrekt i borekronen.

FORSIGTIG

Ved brug af forboringshjælp må maskinen ikke køre i tomgang uden at have kontakt med underlaget.

BEMÆRK

Værktøjsholderne BR, BT, M16, M27 betjenes med en egnet gaffelnøgle.

Værktøjsholderen, adapteren og værktøjet skal være helt rengjorte.

1. Åbn værktøjsholderen (BI+) ved at dreje den i retning af symbolet for den åbne klemme.
2. Sæt diamantborekronen i fortandingen på værktøjsholderen (BI+) på maskinen forfra, og skru den i, indtil den går i indgreb.
3. Luk værktøjsholderen (BI+) ved at dreje den i retning af symbolet for den lukkede klemme.
4. Kontrollér, at borekronen sidder fast i værktøjsholderen ved at trække i den og bevæge den frem og tilbage.

6.3 Montering af støvudsugning (ekstraudstyr)

6.3.1 Undersænker 4

1. Før forboringshjælpen med spidsen fremad ind i indstikksenden til undersænker med støvudsugning indtil anslag.
2. Monter indstikksenden i værktøjsholderen som ved montering af diamantborekrone.
3. Skub låseringen og støvudsugningen hen imod maskinen.
4. Monter undersænkeren på indstikksenden.
5. Indfør støvudsugningen i retning af værktøjet, indtil denne hviler på borekronen, og fastgør den i denne position ved at skubbe låseringen hen imod undersænkeren.
6. Kontrollér, at støvudsugningen kan dreje frit i forhold til maskinen.

6.3.2 Borekrone

1. Monter indstikksenden til borekronen i værktøjsholderen med støvudsugning som ved montering af diamantborekronen.

2. Monter borekronen på indstiksenden.

6.4 Valg af omdrejningstal

FORSIGTIG

Skift ikke gear under drift. Vent, til spindelen er standset.

Vælg kontaktstilling efter den anvendte bordiameter. Drej kontakten til den anbefalede stilling, samtidig med at du drejer borekronen med hånden (se kapitlet Beskrivelse).

6.5 Afmontering af diamantborekrone



FORSIGTIG

Værktøjet kan blive meget varmt ved brug eller ved slibning. Du kan få forbrændinger på hænderne. **Brug derfor altid beskyttelseshandsker, når du skifter værktøj.**

FORSIGTIG

Træk stikket ud af stikkontakten.

BEMÆRK

For værktøjsholderne BR, BT, M27, M16 skal værktøjsholderen fastspændes og derefter skal borekronen fjernes med en egnet gaffelnøgle.

1. Åbn værktøjsholderen (BI+) ved at dreje den i retning af symbolet for den åbne klemme.
2. Træk betjeningsmuffen på værktøjsholderen i pilens retning i forhold til maskinen. Derved frigøres borekronen.
3. Tag borekronen af.

da

7 Betjening



ADVARSEL

Sørg for, at netkabel og slanger ikke kommer i berøring med roterende dele.

FARE

Ved arbejde med borekrone med slidser skal du passe på ikke at få fingrene ind i slidserne.

FORSIGTIG

Maskinen og boringen forårsager støj. **Brug høreværn.** Et for højt støjniveau kan skade hørelsen.

FORSIGTIG

Ved boring kan der dannes farlige splinter. Splinterne fra materialet kan medføre skader på legemet og øjnene. **Brug derfor altid beskyttelsesbriller og hjelm.**

ADVARSEL

Maskinen har et højt drejningsmoment. **Tag altid fat om sidegrebet, og anvend altid begge hænder, når du betjener maskinen.** Bemærk, at værktøjet pludselig kan blokere.

FARE

Brugeren skal være forberedt på, at værktøjet pludselig kan blokere, og sørge for at stå sikkert på begge fødder.

7.1 Tyverisikring TPS (ekstratilbehør)

BEMÆRK

Maskinen kan forsynes med "tyverisikring" som ekstratilbehør. Hvis maskinen er forsynet med denne funktion, kan den kun aktiveres og anvendes med den tilhørende aktiveringsnøgle.

7.1.1 Aktivering af maskine

1. Kontrollér, at maskinen forsynes med netspænding. Den gule tyverisikringslampe blinker. Maskinen kan nu modtage signalet fra aktiveringsnøglen.
2. Anbring aktiveringsnøglen eller TPS-urets spænde direkte på låsesymbolet. Så snart den gule tyverisikringslampe slukkes, er maskinen aktiveret.

BEMÆRK Hvis strømtilførslen afbrydes, f.eks. ved skift af arbejdssted eller ved en strømafbrydelse, forbliver maskinen driftsklar i ca. 20 minutter. Ved længere afbrydelser skal maskinen genaktiveres ved hjælp af aktiveringsnøglen.

7.1.2 Aktivering af maskinens tyverisikringsfunktion

BEMÆRK

Du kan finde oplysninger vedrørende aktivering og anvendelse af tyverisikringen i brugsanvisningen "Tyverisikring".

7.2 Slå fejlstrømsrelæet PRCD til, og kontrollér (hvis den forefindes)

1. Sæt maskinens netstik i en stikkontakt med jordforbindelse.
2. Tryk på knappen "Reset" på fejlstrømsrelæet PRCD. Visningen skal blive synlig.
3. Tryk på knappen "TEST" på fejlstrømsrelæet PRCD. Visningen skal forsvinde.
4. **ADVARSEL Hvis visningen ikke skal forsvinde, må du ikke længere anvende maskinen.** Få maskinen repareret af kvalificerede fagfolk med originale reservedele.
Tryk på knappen "Reset" på fejlstrømsrelæet PRCD. Visningen skal blive synlig.

7.3 Arbejde med støvudsugning

FORSIGTIG

Sørg for at føre støvsugerenslang efter maskinen, så den ikke kan komme i kontakt med borekronen.

FORSIGTIG

Læs brugsanvisningen for udsugningen for at få oplysninger om, hvorledes det opsugede materiale skal bortskaffes.

BEMÆRK

Anvend en antistatisk støvsuger for at forebygge elektrostatisk opladning.

7.3.1 Støvsuger med netstikdåse til elværktøj 6

FORSIGTIG

Anvend ikke borekroner med slidser, når du arbejder med støvudsugning.

BEMÆRK

De ekstra arbejdsstrin skal udføres ved brug af den delte forboringshjælp.

1. Anbring sidegrebet i den ønskede position, og fastgør det.
2. Monter forboringshjælpen (ekstraudstyr).
3. Sæt maskinens netstik i støvsugerens stikdåse.
4. Sæt støvsugerens netstik i stikkontakten, og tryk på kontakten "Reset" på PRCD, for så vidt denne kontakt findes.
5. Anbring maskinen midt for borestedet.
6. Tryk på elværktøjets afbryder.

BEMÆRK Støvsugeren starter med forsinkelse efter elværktøjet. Når elværktøjet slukkes, slukkes støvsugeren med forsinkelse.

7. Tryk kun let i starten af boringen, indtil borekronen er centreret, og øg først trykket derefter. Lav et 3-5 mm dybt styrehul (valgfrit).
8. Stands maskinen ved at slippe afbryderen, og vent, indtil borekronen er standset helt (valgfrit).
9. Fjern forboringshjælpen fra borekronen (valgfrit).
10. Anbring borekronen i styrehullet, tryk på afbryderen, og fortsæt borearbejdet (valgfrit).

7.3.2 Støvsuger uden netstikdåse til elværktøj

FORSIGTIG

Anvend ikke borekroner med slidser, når du arbejder med støvudsugning.

BEMÆRK

De ekstra arbejdsstrin skal udføres ved brug af den delte forboringshjælp.

1. Anbring sidegrebet i den ønskede position, og fastgør det.
2. Monter forboringshjælpen (ekstraudstyr).
3. Sæt støvsugerens netstik i stikdåsen, og tænd støvsugeren.
4. Sæt maskinens netstik i stikkontakten, og tryk på kontakten "Reset" på PRCD, for så vidt denne kontakt findes.
5. Tryk på elværktøjets afbryder.
6. Tryk kun let i starten af boringen, indtil borekronen er centreret, og øg først trykket derefter. Lav et 3-5 mm dybt styrehul (valgfrit).
7. Stands maskinen ved at slippe afbryderen, og vent, indtil borekronen er standset helt (valgfrit).
8. Fjern forboringshjælpen fra borekronen (valgfrit).
9. Anbring borekronen i styrehullet, tryk på afbryderen, og fortsæt borearbejdet (valgfrit).
10. Lad støvsugeren køre et par sekunder længere end maskinen, før støvsugeren slukkes for at suge det resterende materiale væk.

7.4 Arbejde uden støvudsugning



BEMÆRK

Anvend borekroner med slidser, når der arbejdes uden støvudsugning.

BEMÆRK

Fjern støvudsugning, eller fastgør denne, så den ikke roterer.

BEMÆRK

De ekstra arbejdsstrin skal udføres ved brug af den delte forboringshjælp.

FORSIGTIG

Tag stikket ud af stikkontakten, når du afmonterer borekernen.

FARE

Brug et let åndedrætsværn.

BEMÆRK

Støvet blæses ud i alle retninger. Boring uden støvudsugning er meget ubehageligt, specielt hvis der bores

over hovedhøjde, og ydelsen er ikke optimal. Boring over hovedhøjde uden støvudsugning kan derfor ikke anbefales. Det anbefales altid at anvende støvudsugning med en egnet støvsuger i forbindelse med tørboring.

1. Anbring sidegrebet i den ønskede position, og fastgør det.
2. Monter forboringshjælpen (ekstraudstyr).
3. Sæt stikket i stikkontakten, og tryk på kontakten "Reset" på PRCD, for så vidt denne kontakt findes.
4. Anbring maskinen midt for borestedet.
5. Tryk på elværktøjets afbryder.
6. Tryk kun let i starten af boringen, indtil borekronen er centreret, og øg først trykket derefter. Lav et 3-5 mm dybt styrehul (valgfrít).
7. Stands maskinen ved at slippe afbryderen, og vent, indtil borekronen er standset helt (valgfrít).
8. Fjern forboringshjælpen fra borekronen (valgfrít).
9. Anbring borekronen i styrehullet, tryk på afbryderen, og fortsæt borearbejdet (valgfrít).

7.5 Slukning og adskillelse af systemet



FORSIGTIG

Anvend beskyttelseshandsker, når der skal skiftes værktøj, da værktøjet bliver meget varmt ved brug.

FORSIGTIG

Borekronen er fuld af støv og boremateriale. **Kontrollér, at du står sikkert og kan klare den ekstra vægt fra boremateriale.**

BEMÆRK

Transportér helst maskinen i Hilti-kufferten.

1. Slip afbryderen på elværktøjet, og træk langsomt borekronen ud af borehullet.
2. Sluk støvsugeren, hvis der er brugt støvsuger under arbejdet.
3. Kontrollér, at maskinen ikke længere er sluttet til lysnettet.
4. Fjern om nødvendigt borekernen.
5. Tag borekronen af.

7.6 Fremgangsmåde ved fastklemning af borekrone

Hvis borekronen sæter sig fast, udløses glidekoblingen, indtil brugeren slukker maskinen. Borekronen kan løses på følgende måder:

7.6.1 Løsning af borekronen med gaffelnøglen

1. Træk stikket ud.
2. Sæt en passende gaffelnøgle fast på borekronen i nærheden af indstiksenden, og løs borekronen ved at dreje.
3. Sæt apparatets netstik i stikkontakten.
4. Forsæt borearbejdet.

7.7 Transport

FORSIGTIG

Maskinen må ikke være sluttet til elnettet.

BEMÆRK

Maskinen skal så vidt muligt opbevares og transporteres i kufferten.

8 Rengøring og vedligeholdelse

FORSIGTIG

Træk stikket ud af stikkontakten.

8.1 Pleje af værktøjer og metaldele

Fjern støv og skidt, som har sat sig fast, og beskyt overfladen på værktøjerne og værktøjsholderen mod korrosion ved med jævne mellemrum at aftørre med en klud fugtet i olie.

Sørg altid for, at indstiksenden er ren og smurt med et tyndt lag fedt.

8.2 Rengøring af maskinen

FORSIGTIG

Hold maskinen, især gribefladerne, tørre, rene og fri for olie og fedt. Anvend ikke silikoneholdige plejemidler.

Anvend aldrig maskinen, hvis ventilationsåbningerne er tilstoppede! Rengør forsigtigt ventilationsåbningerne med en tør børste. Sørg for, at der ikke trænger fremmedlegemer ind i maskinen. Rengør jævnligt maskinen udvendigt med en let fugtig klud. Du må ikke bruge spraymaskiner, dampstrålemaskiner eller almindeligt vand til rengøring! Det kan forringe maskinens elektriske sikkerhed.

8.3 Vedligeholdelse

ADVARSEL

Reparationer på de elektriske dele må kun udføres af en elektriker.

Kontrollér regelmæssigt alle udvendige dele på maskinen for beskadigelse og fejlfri funktion. Brug ikke maskinen,

hvis der er beskadigede dele, eller hvis der er betjenings-elementer, som ikke fungerer fejlfrit. Send maskinen til reparation hos Hilti-service.

8.4 Udskift kulbørsterne. 7

BEMÆRK

Signallampen med gaffelnøglesymbolet lyser, når kulbørsterne skal udskiftes.

FARE

Maskinen må kun serviceres og repareres af autoriseret, trænet personale. Dette personale skal især informeres om de potentielle farer, der er forbundet med brugen af denne maskine. Hvis følgende anvisninger ignoreres, er der risiko for at få kontakt med farlig elektrisk spænding.

1. Adskil maskinen fra elnettet.

2. Åbn kulbørsteafdækningerne til venstre og højre på motoren.
3. Læg mærke til, hvordan kulbørsterne er monteret, og litzetrådene er ført. Tag de brugte kulbørster ud af maskinen.
4. Indsæt de nye kulbørster nøjagtigt, som de gamle kulbørster var monteret før (reserveredelsesnummer: Kulbørster AO ML 100-127 V: 39577; Kulbørster AO ML 220-240 V: 39576).
BEMÆRK Sørg for, at meldetrådens isolering ikke beskadiges ved monteringen.
5. Skru kulbørsteafdækningerne på til venstre og højre på motoren.
BEMÆRK Signallampen slukkes efter udskiftning af kulbørsterne, når maskinen igen sluttes til lysnettet.

8.5 Kontrol efter rengøring og vedligeholdelse

Efter rengørings- og vedligeholdelsesarbejde skal du kontrollere, at alt sikkerhedsudstyr sidder, som det skal, og fungerer fejlfrit.

9 Fejlsøgning

Fejl	Mulig årsag	Afhjælpning
Maskinen starter ikke.	Elforsyningen er afbrudt.	Slut noget andet elværktøj til, og kontrollér funktionen; kontrollér stikforbindelser, elledning, PRCD, og elnettet.
	Kulbørsterne er frakoblede.	Udskift kulbørsterne. Se kapitel: 8.4 Udskift kulbørsterne. 7
	Afbryder defekt	Lad et Hilti-serviceværksted reparere maskinen.
	Strømtilførsel afbrudt.	Kontrollér netkabel og eventuelt støvsuger, forlængerledning, netstik og PRCD, og få om nødvendigt en elektriker til at foretage udskiftning.
	Elektronik defekt.	Lad et Hilti-serviceværksted reparere maskinen.
Maskinen kører ikke, og serviceindikatoren lyser	Slidte kulbørster.	Udskift kulbørsterne. Se kapitel: 8.4 Udskift kulbørsterne. 7
Maskinen kører ikke, kulbørster udskiftet, serviceindikatoren lyser	Skader på maskinen.	Send maskinen til reparation hos Hilti-service.
Serviceindikatoren lyser.	Slidte kulbørster; nogle timers drift er fortsat mulig.	Kulbørsterne bør udskiftes. Se kapitel: 8.4 Udskift kulbørsterne. 7
Serviceindikatoren lyser	Omdrejningstalfej	Send maskinen til reparation hos Hilti-service.
Maskinen kører ikke, tyverisikringsindikatoren lyser gult.	Maskinen er ikke aktiveret (ved maskiner med tyverisikring (ekstratilbehør)).	Aktivér maskinen med aktiveringsnøglen.
Motoren kører. Diamantborekronen roterer ikke.	Gearkontakten er ikke gået i indgreb.	Betjen gearkontakten, indtil indgreb mærkes.
	Gear defekt.	Lad et Hilti-serviceværksted reparere maskinen.
Borehastigheden falder.	Diamantborekronen poleret.	Slib diamantborekronen på slibeplade

Fejl	Mulig årsag	Afhjælpning
Borehastigheden falder.	Diamantborekrone poleret.	Forkert borekrone-specifikation; kontakt Hilti for hjælp
	Borekernen er i klemme i diamantborekronen.	Fjern borekernen.
	Maksimal boreddybde nået.	Fjern borekernen, og anvend borekroneforlængelse.
	Diamantborekronen defekt.	Kontrollér diamantborekronen for beskadigelser, og udskift den om nødvendigt.
	Glidekoblingen udløses for tidligt eller drejer rundt.	Lad et Hilti-serviceværksted reparere maskinen.
	Støv sætter en stopper for borearbejdet	Anvend en egnet støvudsugning
Diamantborekronen kan ikke sættes ind i værktøjsholderen.	Indstiksende/værktøjsholder tilsmudset eller beskadiget.	Rengør indstiksenden/værktøjsholderen, eller udskift om nødvendigt.
Boresystemet har for meget slør.	Borekrone ikke skruet langt nok ind i værktøjsholderen.	Skrue den fast.
	Indstiksende defekt.	Kontrollér indstiksenden, og udskift den om nødvendigt.

10 Bortskaffelse



Størstedelen af de materialer, som anvendes ved fremstillingen af Hilti-produkter, kan genvindes. Materialerne skal sorteres, før de kan genvindes. I mange lande findes der allerede ordninger, hvor Hilti samler sine brugte produkter ind til genbrug. Yderligere oplysninger får du hos Hilti-kundeservice eller din lokale Hilti-konsulent.



Kun for EU-lande

Maskiner må ikke bortskaffes som almindeligt affald!

I henhold til Rådets direktiv om bortskaffelse af elektriske og elektroniske produkter og gældende national lovgivning skal brugte maskiner indsamles separat og bortskaffes på en måde, der skåner miljøet mest muligt.

11 Producentgaranti - Produkter

Hvis du har spørgsmål vedrørende garantibetingelserne, bedes du henvende dig til din lokale HILTI-partner.

12 EF-overensstemmelseserklæring (original)

Betegnelse:	Diamantboresystem
Typebetegnelse:	DD 110-D
Produktionsår:	2007

Vi erklærer som eneansvarlige, at dette produkt er i overensstemmelse med følgende direktiver og standarder: indtil 19. april 2016: 2004/108/EF, fra 20. april 2016: 2014/30/EU, 2006/42/EU, 2011/65/EU, EN 60745-1, EN 60745-2-1, EN ISO 12100.

da

**Hilti Corporation, Feldkircherstrasse 100,
FL-9494 Schaan**



Paolo Luccini
Head of BA Quality and Process Management
Business Area Electric Tools & Accessories
06/2015



Johannes Wilfried Huber
Senior Vice President
Business Unit Diamond

06/2015

Teknisk dokumentation ved:

Hilti Entwicklungsgesellschaft mbH
Zulassung Elektrowerkzeuge
Hiltistrasse 6
86916 Kaufering
Deutschland

DD 110-D Diamantborsystem

Det er viktig at bruksanvisningen leses før maskinen brukes for første gang.

Oppbevar alltid bruksanvisningen sammen med maskinen.

Pass på at bruksanvisningen ligger sammen med maskinen når den overlates til andre personer.

Innholdsfortegnelse	Side
1 Generell informasjon	59
2 Beskrivelse	60
3 Tilbehør	61
4 Tekniske data	62
5 Sikkerhetsregler	63
6 Ta maskinen i bruk	65
7 Betjening	67
8 Service og vedlikehold	69
9 Feilsøking	69
10 Avhending	70
11 Produsentgaranti maskiner	71
12 EF-samsvarserklæring (original)	71

1 Tallene refererer til illustrasjonene. Illustrasjonene står helt foran i bruksanvisningen. I teksten i denne bruksanvisningen angir "maskin" alltid diamantbormaskinen DD 110-D.

Maskinkomponenter, betjeningslementer og grafiske elementer 1

Diamantbormaskin DD 110-D

- 1 Sidehåndtak
- 2 Girbryter
- 3 Gir
- 4 Motor
- 5 Kullbørstedeksel
- 6 Serviceindikator
- 7 AV/PÅ-bryter
- 8 Håndtak
- 9 Nettkabel
- 10 Chuck
- 11 Ekstraustyr: TPS

no

1 Generell informasjon

1.1 Indikasjoner og deres betydning

FARE

Dette ordet brukes om en umiddelbart truende fare som kan føre til alvorlige personskader eller død.

ADVARSEL

Dette ordet brukes for å rette fokus på potensielt farlige situasjoner, som kan føre til alvorlige personskader eller død.

FORSIKTIG

Dette ordet brukes for å rette fokus på potensielt farlige situasjoner som kan føre til mindre personskader eller skader på utstyret eller annen eiendom.

INFORMASJON

For bruksanvisninger og andre nyttige informasjonen.

1.2 Forklaring på piktogrammer og ytterligere opplysninger.

Varselskilt



Generell advarsel



Advarsel for elektrisitet



Advarsel: Varm overflate

Verneutstyr



Bruk
vernebriller



Bruk
hjelme



Bruk
hørselsvern



Bruk
arbeids-
hansker



Bruk
støvmaske



Bruk
vernesko



Les bruks-
anvisningen
før bruk

no

Symboler

/min

Om-
dreininger
per minutt



Låsesymbol



Utstyrt med
tyveribeskyt-
telse



Service-
indikator



Lever
materialer til
gjenvinning

Plassering av identifikasjonsdata på maskinen

Typebetegnelsen og serienummeret finnes på maskinens typeskilt. Skriv ned disse dataene i bruksanvisningen og referer alltid til dem ved henvendelse til din salgsrepresentant eller til Motek service-senter.

Type:

Serienummer:

2 Beskrivelse

2.1 Forskriftsmessig bruk

DD 110-D er en elektrisk diamantbormaskin og beregnet på håndført tørrboring ved hjelp av diamantborkroner og diamantboksforsekkere i mur.

Maskinen egner seg ikke til boring i betong eller armert betong.

Boring i materialer som avgir strømførende støv og/eller er brennbare (f.eks. tre og magnesium), er ikke tillatt.

Bruk om mulig en egnet mobil støvsuger, for eksempel Hilti støvsuger VCU 40, VCU 40-M eller VCD 50.

For å unngå skader skal kun originale Hilti borkroner og originalt DD 110-D-tilbehør brukes.

Følg også sikkerhets- og bruksanvisningene for det anvendte tilbehøret.

Følg informasjonen i bruksanvisningen ang. bruk, stell og vedlikehold.

Maskinen er laget for profesjonell bruk og må kun brukes, vedlikeholdes og repareres av kyndig personell. Personalet må informeres om spesielle farer som kan oppstå. Maskinen og dens tilbehør kan medføre fare hvis den brukes av personell uten opplæring eller hvis den ikke brukes som beskrevet.

Maskinen er beregnet for bruk på: Byggeplasser, verksteder, til renovering, ombygging og konstruksjonsarbeid.

Bruk maskinen kun når den er knyttet til hovedledning med en spenning og frekvens som er i overensstemmelse med informasjonen på typeskiltet.

Det må ikke arbeides med helsefarlige materialer (for eksempel asbest).

Manipulering eller modifisering av maskinen er ikke tillatt.

2.2 Bruk med forskjellig utstyr

Boremåter for DD 110-D	Borkroner \varnothing	Boreretning	Underlag
Gjennombruddsboring	16...162 mm ($\frac{5}{8}$ "...6 $\frac{1}{2}$ ")	Alle retninger	Mur (f.eks. kalksandstein og tegl)

Boremåter for DD 110-D	Borkroner \varnothing	Boreretning	Underlag
Blindboring/boksforsenking	16...162 mm ($\frac{5}{8}$ "...6 $\frac{1}{2}$ ")	Alle retninger	Mur (f.eks. kalksandstein og tegl)

2.3 Tabell over gir og tilhørende borkronediametere

gir	PCM-borkroner	HDM-borkroner	Turtall ved tomgang
1	42...162 mm (1 $\frac{5}{8}$ " ... 6 $\frac{1}{2}$ ")	102...162 mm (4" ... 6 $\frac{1}{2}$ ")	650/min
2		16...87 mm ($\frac{5}{8}$ " ... 3 $\frac{1}{2}$ ")	1 380/min

2.4 TPS tyveribeskyttelse (ekstraustyr)

Maskinen kan utstyres med funksjonen "TPS tyveribeskyttelse". Hvis maskinen er utstyrt med denne funksjonen, kan den bare aktiveres og brukes med tilhørende aktiveringsnøkkel.

2.5 Deler som følger med:

- 1 Maskin med sidehåndtak og chuck
- 1 Bruksanvisning
- 1 Hilti-koffert eller kartongemballasje

2.6 Bruk av skjøteledning

Bruk skjøteledning som er godkjent for innsatsområdet og som har stort nok tverrsnitt.

Anbefalte min. tverrsnitt og maks. kabellengder:

Kabeltverrsnitt	1,5 mm ²	2 mm ²	2,5 mm ²	3,5 mm ²
Nettspenning 100 V	anbefales ikke	anbefales ikke	anbefales ikke	40 m
Nettspenning 110–120 V	anbefales ikke	anbefales ikke	30 m	
Nettspenning 220–240 V	30 m		50 m	

Ikke bruk skjøteledninger med 1,25 mm² kabeltverrsnitt. Bruk kun jordet skjøteledning for maskiner med PRCO.

2.7 Bruk av generator eller transformator

Maskinen som drives med en generator eller transformator, når følgende betingelser er oppfylt: Utgangseffekt i watt må være på minst det dobbelte av effekten som fremgår av maskinens typeskilt, driftsspenningen må til enhver tid være mellom +5 % og -15 % av nominell spenning og frekvensen må være på mellom 50 Hz og 60 Hz, aldri over 65 Hz. En automatisk spenningsregulator med startforsterkninger må være tilgjengelig.

INFORMASJON

Når andre maskiner skrues av eller på kan det føre til under- eller overspenningstopper som kan skade maskinen. Ingen andre maskiner får drives samtidig av generatoren/transformatoren.

3 Tilbehør

Betegnelse	Artikkelnummer, Beskrivelse
Tyveribeskyttelse TPS (Theft Protection System) med Company Card, Company Remote og TPS-K aktiveringsnøkkel	valgfri
Støavsug	315773
Chuck M16	315774
Chuck BI+	315791
Chuck BR	315792

Betegnelse	Artikkelnummer, Beskrivelse
Chuck BT	315793
Nøkkelchuck	315794
Selvspennende chuck	315795
Innstikkende M27 til boksforsenkere	315805
Innstikkende BI+ til boksforsenkere	315806
Innstikkende M27 til borkroner	315807
Innstikkende BI+ til borkroner	315824
Sidehåndtak	315825
Støvavsug med innstikkende BI+ til borkroner	315826
Støvavsug med innstikkende M27 til borkroner	315827
Støvavsug med innstikkende BI+ til boksforsenkere	315828
Støvavsug med innstikkende M27 til boksforsenkere	331621
Borestarthjelp boksforsenker	281318
Borestarthjelp boksforsenker BI+	209661

4 Tekniske data

Med forbehold om løpende tekniske forandringer!

Maskin- og bruksanvisning

Mål (L x B x H)	446 mm x 120 mm x 170 mm
Vekt i henhold til EPTA-prosedyre 01/2003	5,1 kg
Beskyttelsesklasse	II
Beskyttelsesklasse med PRCD	I

INFORMASJON

Maskinen leveres med ulike merkespenningsalternativer. Merkespenning og nominelt strømforbruk for maskinen er oppgitt på typeskiltet.

Nominell spenning [V]	100	110	110	120	220	230	240
Nett-frekvens [Hz]	50...60	50	60	60	50/60	50...60	50
Nominelt strømforbruk [W]	1 450	1 600	1 570		1 600	1 600	1 600
Nominell strøm [A]	15	15,4	15	14,1	7,7	7,4	7,1
Nominelt tomgangs-turtall 1. gir [o/min]	650	650	650	650	650	650	650
Nominelt tomgangs-turtall 2. gir [o/min]	1 380	1 380	1 380	1 380	1 380	1 380	1 380

INFORMASJON

Vibrasjonsnivået som er angitt i denne bruksanvisningen er målt i samsvar med den normerte målemetoden i EN 60745 og kan brukes til sammenligning av elektroverktøy. Det egner seg også for en foreløpig vurdering av vibrasjonsbelastningen. Det angitte vibrasjonsnivået representerer den primære bruken av elektroverktøyet. Hvis elektroverktøyet imidlertid brukes til andre bruksområder, med avvikende verktøy eller med utilstrekkelig vedlikehold, kan vibrasjonsnivået avvike. Dette kan øke vibrasjonsbelastningen betraktelig gjennom hele arbeidsperioden. For en nøyaktig vurdering av vibrasjonsbelastningen må man også ta hensyn til tidsrommene da maskinen er slått av eller er i gang, men ikke i drift. Dette kan redusere vibrasjonsbelastningen betraktelig gjennom hele arbeidsperioden. Fastsett ekstra sikkerhetstiltak for å beskytte operatøren mot effekten av vibrasjonene, for eksempel: Vedlikehold av elektroverktøy og innsatsverktøy, holde hendene varme, organisering av arbeidsprosesser.

Støyinformasjon (iht. EN 60745-2-1)

Typisk A-lydeffektnivå	95 dB (A)
Typisk A-veid avgitt lydtryknivå.	84 dB (A)
Usikkerhet for de nevnte støynivåene	3 dB (A)

no

Tilleggsinformasjon iht. EN 60745-1, vibrasjonsverdier, tre aksler (vibrasjonsvektorsum)

Boring i kalksandstein (tørr) med PCM-borkrone, $a_{h, DD}$	12 m/s ²
Boring i kalksandstein (tørr) med HDM-borkrone, $a_{h, DD}$	5,8 m/s ²
Usikkerhet (K)	1,5 m/s ²

5 Sikkerhetsregler

5.1 Generelle sikkerhetsregler for elektroverktøy

a) ADVARSEL

Les alle sikkerhetsanvisninger og andre anvisninger. Manglende overholdelse av sikkerhetsanvisninger og andre anvisninger kan medføre elektrisk støt, brann og/eller alvorlige skader. **Ta vare på alle sikkerhetsanvisninger og instruksjoner for senere bruk.** Begrepet "elektroverktøy" som er brukt i sikkerhetsanvisningene, viser til nettdrevne elektroverktøy (med nettkabel) og batteridrevne elektroverktøy (uten nettkabel).

5.1.1 Sikkerhet på arbeidsplassen

- Hold arbeidsområdet rent og godt opplyst.** Rotete eller dårlig belyste arbeidsområder kan føre til ulykker.
- Bruk ikke elektroverktøyet i eksplosjonsfarlige omgivelser hvor det befinner seg brennbare flytende stoffer, gasser eller støv.** Elektroverktøy lager gnister som kan antenne støv eller damper.
- Hold barn og andre personer på sikker avstand mens elektroverktøyet brukes.** Hvis du blir forstyrret under arbeidet, kan du miste kontrollen over maskinen.

5.1.2 Elektrisk sikkerhet

- Elektroverktøyet støpsel må passe i stikkontakten. Støpselet må ikke forandres på noen som helst måte. Bruk ikke adapterkontakt på elektroverktøyet som er jordet.** Originale plugg og egnede stikkontakter minsker risikoen for elektrisk støt.

- Unngå kroppskontakt med jordete overflater som rør, radiatorer, komfyrer eller kjøleskap.** Det er større fare ved elektriske støt hvis kroppen din er jordet.
- Hold elektroverktøyet unna regn og fuktighet.** Risikoen for et elektrisk støt øker ved inntrenging av vann i et elektroverktøy.
- Bruk ikke ledningen til å bære elektroverktøyet, henge det opp eller til å dra støpselet ut av stikkontakten. Hold ledningen unna varme, olje, skarpe kanter eller maskindeler som beveger seg.** Skadede eller sammenviklede ledninger øker risikoen for elektriske støt.
- Bruk kun skjøteledning som også er godkjent for utendørs bruk når du arbeider med et elektroverktøy utendørs.** Bruk av skjøteledning som er egnet til utendørs bruk minsker risikoen for elektrisk støt.
- Må elektroverktøyet brukes i fuktige omgivelser, er det nødvendig å bruke en jordfeilbryter.** Bruk av en jordfeilbryter reduserer risikoen for elektrisk støt.

5.1.3 Personssikkerhet

- Vær oppmerksom, pass på hva du gjør, og gå fornuftig fram under arbeidet med et elektroverktøy. Ikke bruk noe elektroverktøy når du er trett eller er påvirket av narkotika, alkohol eller medikamenter.** Et øyeblikks uoppmerksomhet ved bruk av elektroverktøyet kan føre til alvorlige skader.
- Bruk alltid personlig verneutstyr og vernebriller.** Bruk av personlig verneutstyr som støvmaske, sklisliske vernesko, hjelm eller hørselsvern – avhengig

av type og bruk av elektroverktøyet – reduserer risikoen for skader.

- c) **Unngå utilsiktet start. Forsikre deg om at elektroverktøyet er slått av før du setter i stikkkontakten eller batteriet, løfter den eller flytter på den.** Hvis du holder fingeren på bryteren når du bærer elektroverktøyet, eller kobler elektroverktøyet til strøm i innkoblet tilstand, kan dette føre til uhell.
- d) **Fjern justeringsverktøy og skrunøkkel før du slår på elektroverktøyet.** Et verktøy eller en nøkkel som befinner seg i en roterende maskindel, kan føre til skader.
- e) **Unngå uohensiktmessige arbeidsposisjoner. Sørg for å stå stødig og i balanse.** Dermed kan du kontrollere elektroverktøyet bedre i uventede situasjoner.
- f) **Bruk egnede klær. Ikke bruk vide klær eller smykker. Hold hår, tøy og hansker unna deler som beveger seg.** Løst sittende tøy, smykker eller langt hår kan komme inn i deler som beveger seg.
- g) **Hvis det er montert støvavsugs- og oppsamlingsinnretninger, må det kontrolleres at disse er koblet til og blir brukt på riktig måte.** Bruk av et støvavsug kan redusere faremomentene i forbindelse med støv.

5.1.4 Bruk og behandling av elektroverktøyet

- a) **Ikke overbelast maskinen. Bruk et elektroverktøy som er beregnet til den type arbeid du vil utføre.** Med et passende elektroverktøy arbeider du bedre og sikrere i det angitte effektområdet.
- b) **Ikke bruk elektroverktøy med defekt bryter.** Et elektroverktøy som ikke lenger kan slås av eller på, er farlig og må repareres.
- c) **Dra ut støpselet fra stikkkontakten og/eller ta ut batteriet før du foretar maskinnstillinger, bytter tilleggsutstyr eller legger bort maskinen.** Disse tiltakene forhindrer en utilsiktet start av elektroverktøyet.
- d) **Oppbevar elektroverktøy som ikke brukes utenfor barns rekkevidde. Ikke la maskinen brukes av personer som ikke er fortrolig med dette eller ikke har lest disse anvisningene.** Elektroverktøy er farlige når de brukes av uerfarne personer.
- e) **Sørg for grundig stell og vedlikehold av elektroverktøyet. Kontroller at bevegelige deler på elektroverktøyet fungerer feilfritt og ikke klemmes fast, og om deler er brukket eller skadet, slik at dette innvirker på elektroverktøyet funksjon. La skadede deler repareres før elektroverktøyet brukes.** Mange ulykker er et resultat av dårlig vedlikeholdte elektroverktøy.
- f) **Hold skjæreverktøy skarpe og rene.** Godt vedlikeholdte skjæreverktøy med skarpe skjærekanten blir sjeldnere fastklemt og er lettere å styre.
- g) **Bruk elektroverktøyet, tilbehør, arbeidsverktøy osv. i overensstemmelse med denne anvisningen. Ta hensyn til arbeidsforholdene og arbeidet som skal utføres.** Bruk av elektroverktøy til andre formål enn det som er angitt kan føre til farlige situasjoner.

5.1.5 Service

- a) **Elektroverktøyet må kun repareres av kvalifisert fagpersonale og kun med originale reservedeler.** Slik opprettholdes elektroverktøyet sikkerhet.

5.2 Sikkerhetsanvisninger for bormaskiner

- a) **Bruk håndtakene som leveres med maskinen.** Tap av kontroll kan føre til skader.
- b) **Hold maskinen i de isolerte håndtaksflatene når du utfører arbeid der verktøybits kan komme i kontakt med skjulte strømledninger.** Kontakt med en spenningsførende ledning kan også sette maskinens metalldele under spenning og føre til elektrisk støt.

5.3 Ekstra sikkerhetsanvisninger

5.3.1 Personlig sikkerhet

- a) **Hold alltid maskinen med begge hender på håndtakene under håndstyrt drift. Hold håndtakene tørre, rene og fri for olje og fett.**
- b) **Hvis maskinen brukes uten støvavsug, må man bruke støvmaske når arbeidet forårsaker støv.**
- c) **Ta pauser fra arbeidet og foreta avspennings- og fingerøvelser for å øke blodgjennomstrømmingen i fingrene.**
- d) **Unngå å berøre de roterende delene. Koble først til maskinen på arbeidsområdet.** Berøring av de roterende delene, spesielt roterende verktøy, kan føre til skader.
- e) **Før alltid nettkabelen, skjøteledningen og eventuelt også støvavsugsslengen alltid bakover vekk fra maskinen.** Dette reduserer risikoen for snubling over ledningen eller slangen mens du arbeider.
- f) **Barn må få beskjed om at de ikke får lov til å leke med maskinen.**
- g) **Maskinen skal ikke brukes av barn eller svake personer uten oppsyn.**
- h) **Støv fra materialer som blyholdig maling, enkelte tresorter, mineraler og metaller kan være helseskadelig.** Berøring eller innånding av slike typer støv kan fremkalle allergiske reaksjoner og/eller luftveissykdommer hos brukeren og andre personer som oppholder seg i nærheten. Bestemte typer støv som eikestøv eller bøkkestøv regnes som kreftfremkallende, særlig i forbindelse med stoffer for trebehandling (kromat, trepleiemidler). Asbestholdige materialer skal kun bearbeides av kvalifisert personell. **Bruk støvavsug der det er mulig. For å oppnå høy effekt på støvavsug bør du bruke et egnet, mobil støvavsug for tre og/eller mineralstøv som er anbefalt av Hilti og som er tilpasset dette elektroverktøyet. Sørg for at arbeidsplassen er godt luftet. Bruk av åndedrettsvern med filterklasse P2 anbefales. Ta hensyn til gjeldende lokale forskrifter for materialene som skal bearbeides.**

5.3.2 Forsiktig omgang og bruk av elektroverktøy

- a) **Sikre emnet. Bruk tvinger eller skrustikke til å holde fast emnet.** Emnet sitter dermed bedre festet

enn om du holder det med hånden, og du har dessuten begge hendene fri til å betjene maskinen.

- b) **Sørg for at verktøyet i bruk er kompatibelt med maskinens chuck-system og at det er festet riktig i chucken.**
- c) **Slå av maskinen og trekk ut kontakten ved strømbrudd.** Dette forhindrer utilsiktet start av maskinen når spenningen kobles til igjen.

5.3.3 Elektrisk sikkerhet

- a) **Kontroller arbeidsområdet for skjulte elektriske ledninger, gass- og vannrør før du starter arbeidet, f.eks. ved hjelp av en metalldektektor.** Eksterne metaldeler på maskinen kan bli strømførende ved at f. eks. en strømførende kabel utilsiktet blir skadet. Dette innebærer en alvorlig fare for elektrisk støt.
- b) **Hvis en PRCD følger med i leveransen, må maskinen aldri brukes uten den medfølgende PRCD (for GB-versjon, aldri uten skilletrafo).** Kontroller PRCD før hver gangs bruk.
- c) **Kontroller ledningen til maskinen med jevne mellomrom, og la en fagmann skifte den hvis det er feil på den. Hvis elektroverktøyets ledning er skadd, må den skiftes ut med en godkjent, spesiell utforme ledning som kan skaffes via kundeservice.** Kontroller skjøteledninger med jevne mellomrom og skift ut hvis det er feil på disse. Ikke ta på maskinens ledning eller skjøteledning hvis de skades under arbeid. Trekk

- støpselet ut av kontakten.** Skader på ledninger og skjøteledninger innebærer en fare for elektrisk støt.
- d) **Når du arbeider med elektroverktøy ute må du forsikre deg om at maskinen er tilkoblet nettet med en jordfeilbryter (RCD) med maksimalt 30 mA utløsestrøm.** Bruken av en jordfeilbryter reduserer risikoen for elektrisk støt.
- e) **Det anbefales alltid å bruke en jordfeilbryter (RCD) med maks. 30 mA utløsestrøm.**

5.3.4 Arbeidsplass

- a) **Sørg for at arbeidsplassen er godt luftet.** Arbeidsplasser med dårlig ventilasjon kan føre til helseskader på grunn av støvbelastning.
- b) **Koble til et støvavsug ved arbeid som avgir støv. Det må ikke bores i helsefarlige materialer (for eksempel asbest).**

5.3.5 Personlig verneutstyr



Brukeren og personer som befinner seg i nærheten må bruke egnede vernebriller, hjelm, hørselsvern, arbeidshansker, vernesko og en lett støvmaske (i tilfelle støvutvikling) når maskinen er i drift.

no

6 Ta maskinen i bruk



FORSIKTIG

Spenningen må stemme overens med det som er oppgitt på typeskiltet. Sjekk at maskinen ikke er tilkoblet strøm.

FARE

Ved gjennombruddsboring i vegger må området bak vegg sikres, da materialer eller borkjernen kan falle ut på baksiden. Ved gjennombruddsboring i tak må området under sikres, da materialer eller borkjernen kan falle ned.

FORSIKTIG

Maskinen må ikke være tilkoblet strøm ved transport. Trekk støpselet ut av kontakten.

6.1 Posisjonere sidehåndtaket 2

FORSIKTIG

Trekk støpslet ut av kontakten.

1. Løsne sidehåndtaksklemmen ved å vri på sidehåndtaket.
2. Vri håndtaket til ønsket posisjon.
3. Fest håndtaket ved å vri på grepet, slik at det ikke kan komme ut av stilling.

6.2 Montere diamantborkrone 3



FARE

Ikke bruk skadde innsatsverktøy. Før bruk må du alltid kontrollere innsatsverktøyene med hensyn til avspplitting, sprekker, slitasje og sterk nedslitthet. Ikke bruk skadde verktøy. Bruddstykker av arbeidsstykket eller brukne innsatsverktøy kan slenges av gårde og forårsake skader også utenfor selve arbeidsområdet.

INFORMASJON

Diamantborkroner må skiftes ut når kutteytelsen eller borehastigheten blir merkbart dårligere. Vanligvis skjer

dette når høyden på diamantsegmentene er lavere enn 2 mm.

FORSIKTIG

For å unngå skader skal kun originale Hilti borkroner og originalt DD 110-D-tilbehør brukes. For maskiner med BI+ verktøyfeste er det kun tillatt med originale Hilti borekroner.

FORSIKTIG

Verktøyet kan bli veldig varmt ved bruk eller under kvessing. Man kan brenne hendene. **Bruk arbeidshansker ved bytte av verktøy.**

no

FORSIKTIG

Trekk støpslet ut av kontakten.

FORSIKTIG

Påse at borestarthjelpen er plassert riktig i borekronen.

FORSIKTIG

Bruk aldri maskinen på tomgang uten jordkontakt ved bruk av borestarthjelpen.

INFORMASJON

Chuckene BR, BT, M16, M27 festes med en egnet fastnøkkel.

Chucken, adapteren og verktøyet må være fri for skitt.

1. Åpne verktøyfestet (BI+) ved å dreie i retning av symbolet for åpne klammer.
2. Stikk diamantborkronen inn i fortanningen i maskinens verktøyfeste (BI+) forfra og dreie det til det klikker på plass.
3. Lukk verktøyfestet (BI+) ved å dreie i retning av de lukkede klammene.
4. Kontroller at borkronen sitter fast i verktøyfestet ved å trekke i diamantborkronen og bevege den frem og tilbake.

6.3 Montere støvavsug (valgfritt)

6.3.1 Boksforsenker 4

1. Skyv borestarthjelpen med spissen fremover til den går i inngrep i innstikkenden for boksforsenkeren med støvavsug

2. Monter innstikkenden i chucken i henhold til monteringsanvisningen for diamantborkroner.
3. Skyv stoppringen og støvavsuguet tilbake i retning maskinen.
4. Monter boksforsenkeren på innstikkenden.
5. Skyv støvavsuguet mot verktøyet til det ligger inntil borkronen, og fest det i denne posisjonen mens du skyver stoppringen mot boksforsenkeren.
6. Kontroller at støvavsuguet dreier fritt i forhold til maskinen.

6.3.2 Borkrone

1. Monter innstikkenden for borkronen med støvavsug i chucken i henhold til monteringsanvisningen for diamantborkroner.
2. Monter borkronen på innstikkenden.

6.4 Velg turtall 5

FORSIKTIG

Ikke koble til mens maskinen er i drift. Vent til spindelen har stanset.

Velg bryterstilling iht. bordiameteren som skal brukes. Vri bryteren til anbefalt stilling samtidig som du vrir for hånd på borkronen (se kapittelet "beskrivelse").

6.5 Demontere diamantborkrone



FORSIKTIG

Verktøyet kan bli veldig varmt ved bruk eller under kvessing. Man kan brenne hendene. **Bruk arbeidshansker ved bytte av verktøy.**

FORSIKTIG

Trekk støpslet ut av kontakten.

INFORMASJON

For chuckene BR, BT, M27, M16 fester du chucken og fjerner borkronen med en egnet fastnøkkel.

1. Åpne verktøyfestet (BI+) ved å dreie i retning av symbolet for åpne klammer.
2. Trekk betjeningshylsen på verktøyfestet i pilens retning mot maskinen. Dermed løsner borkronen.
3. Fjern borkronen.

7 Betjening



ADVARSEL

Kontroller at nettkabelen og slangene ikke kommer i berøring med roterende deler.

FARE

Pass på at fingrene ikke kommer inn i slissene ved arbeid med borkroner med innsnitt.

FORSIKTIG

Maskinen og boringen forårsaker støy. **Bruk hørselsvern.** For sterk støy kan skade hørselen.

FORSIKTIG

Det kan oppstå farlige splinter under boringen. Avspiltet material kan skade kroppen og øynene. **Bruk vernebriller og hjelm.**

ADVARSEL

Maskinen har et høyt dreiemoment som er tilpasset bruksområdene. **Bruk sidehåndtaket og bruk alltid begge hender når du arbeider med maskinen.** Brukerne må være forberedt på at verktøyet plutselig kan bli blokkert.

FARE

Brukeren må være forberedt på et plutselig blokkert verktøy og stå stødig med begge ben.

7.1 TPS tyveribeskyttelse (ekstraustyr)

INFORMASJON

Maskinen kan utstyres med funksjonen "tyveribeskyttelse". Hvis maskinen er utstyrt med denne funksjonen, kan den bare aktiveres og brukes med tilhørende aktiveringsnøkkel.

7.1.1 Aktivere maskin

1. Kontroller at maskinen ikke forsynes med nettspenning. Den gule tyveribeskyttelseslampe blinker. Maskinen er nå klar til å motta signal fra aktiveringsnøgkelen.
2. Legg aktiveringsnøgkelen eller spennen på TPS-klokken direkte på låsesymbolet. Så snart den gule tyveribeskyttelseslampe er slukket, er maskinen aktivert.

INFORMASJON Avbrytes strømtilførselen, for eksempel ved bytte av arbeidsområde eller strømbrudd, kan maskinen fremdeles brukes i ca. 20 minutter. Ved lengre avbrytelser må maskinen aktiveres med aktiveringsnøgkelen på nytt.

7.1.2 Aktivering av maskinens tyveribeskyttelsesfunksjon

INFORMASJON

Informasjon som gjelder aktivering og bruk av tyveribeskyttelse, finner du i bruksanvisningen "tyveribeskyttelse".

7.2 Slå på og kontrollere jordfeilbryter PRCD (hvis dette finnes)

1. Stikk maskinens støpsel i en jordet stikkontakt.
2. Trykk på "Reset"-knappen på jordfeilbryteren PRCD. Indikatoren skal lyse.
3. Trykk på "TEST"-knappen på jordfeilbryteren PRCD. Indikatoren skal forsvinne.
4. **ADVARSEL** Hvis indikatoren ikke slukner, må maskinen ikke brukes lenger. Få maskinen reparert av kvalifisert fagpersonale og kun med originale reservedeler. Trykk på "Reset"-knappen på jordfeilbryteren PRCD. Indikatoren skal lyse.

7.3 Arbeid med støvavsug

FORSIKTIG

Før alltid slangen bakover vekk fra maskinen slik at den ikke kan komme i kontakt med borkronen.

FORSIKTIG

Les bruksanvisningen for støvsugeren om avhending av oppsugd materiale.

INFORMASJON

Bruk en antistatisk støvsuger for å unngå elektrostatiske effekter.

7.3.1 Støvsuger med stikkontakt til elektroverktøy

FORSIKTIG

Ikke bruk borkroner med innsnitt ved arbeid med støvavsug.

INFORMASJON

De optimale aktivitetene kan utføres ved å bruke den todelte borestarthjelpen.

1. Plasser sidehåndtaket i ønsket posisjon og fest det.
2. Monter borestarthjelpen (valgfritt).
3. Koble maskinens støpsel til en stikkontakten på støvsugeren.
4. Sett støpselet til støvsugeren i stikkontakten og trykk på "Reset"-knappen (hvis den finnes) på PRCD.
5. Posisjoner maskinen midt på boret.

no

- Trykk på av/på-bryteren på elektroverktøyet.
INFORMASJON Støvsugeren starter etter elektroverktøyet etter en liten forsinkelse. Etter at elektroverktøyet er slått av, kobles støvsugeren ut etter en liten forsinkelse.
- Øv bare et lett trykk ved borestart inntil borkronen er sentrert. Øk trykket etter hvert. Gjør et 3–5 mm dypt føringskutt (valgfritt).
- Slå av maskinen med av/på-knappen og vent til borkronen har stanset helt (valgfritt).
- Ta av borestarthjelpen fra borkronen (valgfritt).
- Plasser borkronen i føringskuttet, trykk på av/på-knappen og fortsett boringen (valgfritt).

7.3.2 Støvsuger uten stikkontakt til elektroverktøy

FORSIKTIG

Ikke bruk borkroner med innsnitt ved arbeid med støvsug.

INFORMASJON

De optimale aktivitetene kan utføres med bruk av den todelte borestarthjelpen.

- Plasser sidehåndtaket i ønsket posisjon og fest det.
- Monter borestarthjelpen (valgfritt).
- Sett støpselet til støvsugerens i stikkontakten og slå på støvsugeren.
- Sett støpselet til maskinen i stikkontakten og trykk på "Reset"-knappen (hvis den finnes) på PRCD.
- Trykk på av/på-bryteren på elektroverktøyet.
- Øv bare et lett trykk ved borestart inntil borkronen er sentrert. Øk trykket etter hvert. Gjør et 3–5 mm dypt føringskutt (valgfritt).
- Slå av maskinen med av/på-knappen og vent til borkronen har stanset helt (valgfritt).
- Ta av borestarthjelpen fra borkronen (valgfritt).
- Plasser borkronen i føringskuttet, trykk på av/på-knappen og fortsett boringen (valgfritt).
- La støvsugeren være på et par sekunder lenger enn maskinen før du slår den av. Dette for å suge opp resten av støvet.

7.4 Arbeid uten støvsug



INFORMASJON

Bruk borkroner med innsnitt når du arbeider uten støvsug.

INFORMASJON

Ta av støvsuget eller fest det så det ikke roterer.

INFORMASJON

De optimale aktivitetene kan utføres ved å bruke den todelte borestarthjelpen.

FORSIKTIG

Ta ut kontakten når du fjerner borkjernen.

FARE

Bruk en lett støvmaske.

INFORMASJON

Støvet skytes ut i alle retninger. Boring, spesielt boring over hodehøyde, uten støvavsug er svært ubehagelig, og ytelsen er ikke optimal. Derfor anbefales ikke boring over hodehøyde uten støvavsug. Det anbefales alltid å bruke støvavsuget sammen med en egnet støvsuger til tørrboring.

- Plasser sidehåndtaket i ønsket posisjon og fest det.
- Monter borestarthjelpen (valgfritt).
- Sett støpselet i stikkontakten og trykk på "Reset"-knappen (hvis den finnes) på PRCD.
- Posisjoner maskinen midt på boret.
- Trykk på av/på-bryteren på elektroverktøyet.
- Øv bare et lett trykk ved borestart inntil borkronen er sentrert. Øk trykket etter hvert. Gjør et 3–5 mm dypt føringskutt (valgfritt).
- Slå av maskinen med av/på-knappen og vent til borkronen har stanset helt (valgfritt).
- Ta av borestarthjelpen fra borkronen (valgfritt).
- Plasser borkronen i føringskuttet, trykk på av/på-knappen og fortsett boringen (valgfritt).

7.5 Slå av og demontere systemet



FORSIKTIG

Bruk vernehansker når du bytter verktøy, da verktøyet blir varmt ved bruk.

FORSIKTIG

Borkronen er fylt med støv og boremateriale. **Påse at du står stødig da borematerialet vil gi ekstra vekt.**

INFORMASJON

Bruk helst Hilti-kofferten når maskinen skal transporteres.

- Slipp av/på-knappen på elektroverktøyet og trekk borkronen langsomt ut av borehullet.
- Slå av støvsugeren dersom du har brukt dette.
- Påse at maskinen ikke lenger er koblet til strømmen.
- Fjern borekjernen hvis nødvendig.
- Fjern borkronen.

7.6 Arbeidstrinn ved fastklemming av borekronen

Hvis borekronen kiler seg fast, løser slirekoblingen ut helt til brukeren kobler ut maskinen. Borekronen kan løses ved hjelp av følgende tiltak:

7.6.1 Løse borekronen med fastnøkkel

- Trekk støpselet ut av kontakten.
- Ta tak i borekronen nær innstikksenden med en egnet fastnøkkel og løsne borekronen ved å dreie.

3. Koble maskinens støpsel til en stikkontakt.
4. Fortsett borearbeidet.

7.7 Transport

FORSIKTIG

Sjekk at maskinen ikke er tilkoblet strøm.

INFORMASJON

Bruk helst koffert når maskinen skal lagres og transporteres.

8 Service og vedlikehold

FORSIKTIG

Trekk støpslet ut av kontakten.

8.1 Vedlikehold av verktøy og metaldeler.

Fjern skitt som sitter på overflaten av verktøyene og chucken og beskytt dem mot korrosjon ved å gni med en oljet klut nå og da.

Sørg for at skafet alltid er rent og smurt med litt fett.

8.2 Vedlikehold av maskinen

FORSIKTIG

Hold maskinen ren og fri for olje og fett, særlig maskinens gripeflater. Ikke bruk rengjøringsmidler som inneholder silikon.

Ikke bruk maskinen når ventilasjonsåpningene er tette! Bruk en tørr børste for å rengjøre dem forsiktig. Forhindre at fremmedlegemer trenger inn i maskinen. Bruk en lett fuktig klut og rengjør utsiden av maskinen jevnlig. Ikke bruk spray, damprenser eller rennende vann til rengjøring! Dette kan gå utover den elektriske sikkerheten til maskinen.

8.3 Vedlikehold

ADVARSEL

Elektriske deler på maskinen må kun repareres av fagfolk.

Sjekk etter skader på alle eksterne deler av maskinen jevnlig, og kontroller at betjeningselementene fungerer feilfritt. Ikke bruk maskinen hvis deler av den er ødelagt, eller hvis betjeningselementene ikke fungerer feilfritt. La et Motek service-senter foreta reparasjonen.

8.4 Bytt kullbørster **7**

INFORMASJON

Signallampen med fastnøkkelsymbolet lyser når kullbørstene må skiftes.

FARE

Maskinen må kun brukes, vedlikeholdes og repareres av autorisert, kvalifisert personell. Dette personellet må informeres om eventuelle farer som kan oppstå. Hvis de følgende instruksene ikke følges, er det fare for kontakt med farlig elektrisk spenning.

1. Koble maskinen fra strømmettet.
2. Åpne dekslene på venstre og høyre side av motoren.
3. Legg merke til hvordan kullbørstene er montert og hvordan snorene ligger. Ta de brukte kullbørstene ut av maskinen.
4. Sett inn de nye kullbørstene nøyaktig slik de forrige var montert (reserveredelsnummer: Kullbørste AO ML 100-127 V: 39577; Kullbørste AO ML 220-240 V: 39576).

INFORMASJON Pass på så du ikke skader isoleringen av signalsnoren ved innsetting av børstene.

5. Fest dekslene på venstre og høyre side av motoren.

INFORMASJON Signallampen slukker når kullbørstene er byttet og maskinen igjen er koblet til strømmen.

8.5 Kontroll etter stell og vedlikeholdsarbeid

Etter stell og vedlikehold av maskinen må man kontrollere at alle beskyttelses- og sikkerhetsmekanismene er tilpasset og fungerer som de skal.

9 Feilsøking

Feil	Mulig årsak	Løsning
Maskinen starter ikke	Spenningstilførselen er brutt	Sett inn et annet elektroapparat, kontroller funksjonen; pluggforbindelser, strømledning, PRCD og kontroller nett
	Kullbørster avslått	Bytt kullbørster Se kapittel: 8.4 Bytt kullbørster 7
	På/av-bryter defekt	La et Motek service-senter foreta reparasjonen

no

Feil	Mulig årsak	Løsning
Maskinen starter ikke	Brudd på strømtilførselen	Kontroller nettkabel og eventuelt støvsuger, skjøteledning, nettstøpsel og PRCD, og få eventuelt en godkjent reparatør til å bytte dem ut
	Elektronikken er defekt	La et Motek service-senter foreta reparasjonen
Maskinen går ikke og service-indikatoren lyser	Slitte kullbørster	Bytt kullbørster Se kapittel: 8.4 Bytt kullbørster 7
Maskinen går ikke, kullbørstene er byttet, serviceindikatoren lyser	Skader på maskinen.	La et Motek service-senter foreta reparasjonen.
Serviceindikatoren lyser	Slitte kullbørster. Det er fortsatt mulig å bruke dem i noen timer.	Kullbørstene bør byttes. Se kapittel: 8.4 Bytt kullbørster 7
Serviceindikatoren blinker	Turtallsfeil	La et Motek servicesenter foreta reparasjonen.
Maskinen går ikke, tyveribeskyttelsesindikatoren blinker gult.	Maskinen er ikke aktivert (ved maskin med tyveribeskyttelse, valgfri)	Aktiver maskinen med aktiveringsnøkkel
	Motoren går. Diamantborkronen roterer ikke	Girvelger ikke i stilling Gir er defekt
Borehastigheten minsker	Diamantborkrone polert	Kvess diamantborkronen på flatt bryne
	Diamantborkrone polert	Feil borkronespesifikasjon, ta kontakt med Motek
	Borekjernen er fastklemt i diamantborkronen	Fjern borekjernen
	Maksimal boreddybde er nådd	Fjern borekjernen og bruk borkroneforlengelse
	Diamantborkronen er defekt	Kontroller diamantborkronen mht. skader og skift den ved behov
	Mekanisk clutch utløses for tidlig eller slurer	La et Motek service-senter foreta reparasjonen
	Støv hindrer borehastigheten	Bruk et egnet støvavsug
Diamantborkronen kan ikke festes i verktøyfestet	Innstikkende/verktøyfeste er skitten(t) eller skadet	Rengjør innstikkende/verktøyfeste eller skift ut ved behov
For mye dødgang i boresystemet	Borkronen er ikke skrudd godt nok inn i verktøyfestet	Skru godt fast
	Innstikkende er defekt	Kontroller innstikkenden, skift den ved behov

10 Avhending



De fleste av Hiltis maskiner er laget av resirkulerbart materiale. En forutsetning for gjenvinning er at delene tas fra hverandre. Norge har en ordning for å ta maskiner tilbake for resirkulering. Trenger du mer informasjon, kontakt Motek.



Kun for EU-land

Kast aldri elektroverktøy i husholdningsavfall!

I henhold til EU-direktiv om kasserte elektriske og elektroniske produkter og direktivets iverksetting i nasjonal rett, må elektroverktøy som ikke lenger skal brukes, samles separat og returneres til et miljøvennlig gjenvinningsanlegg.

11 Produsentgaranti maskiner

Når det gjelder spørsmål om garantibetingelser, ber vi deg kontakte din lokale HILTI-partner.

no

12 EF-samsvarserklæring (original)

Betegnelse:	Diamantborsystem
Typebetegnelse:	DD 110-D
Produksjonsår:	2007

Vi erklærer herved at dette produktet overholder følgende normer og retningslinjer: til 19. april 2016: 2004/108/EF, fra 20. april 2016: 2014/30/EU, 2006/42/EF, 2011/65/EU, EN 60745-1, EN 60745-2-1, EN ISO 12100.

Teknisk dokumentasjon hos:

Hilti Entwicklungsgesellschaft mbH
Zulassung Elektrowerkzeuge
Hiltistrasse 6
86916 Kaufering
Deutschland

**Hilti Corporation, Feldkircherstrasse 100,
FL-9494 Schaan**

Paolo Luccini
Head of BA Quality and Process
Management
Business Area Electric Tools & Access-
ories
06/2015

Johannes Wifried Huber
Senior Vice President
Business Unit Diamond

06/2015

DD 110-D Diamantborrsystem

Läs noga igenom bruksanvisningen innan du använder verktyget.

Förvara alltid bruksanvisningen tillsammans med verktyget.

Se till att bruksanvisningen följer med verktyget, om detta lämnas till en annan användare.

SV

Innehållsförteckning	Sidan
1 Allmän information	72
2 Beskrivning	73
3 Tillbehör	75
4 Teknisk information	75
5 Säkerhetsföreskrifter	76
6 Före start	78
7 Drift	80
8 Skötsel och underhåll	82
9 Felsökning	82
10 Avfallshantering	84
11 Tillverkarens garanti	84
12 Försäkran om EU-konformitet (original)	84

1 Siffrorna hänvisar till bilderna. Bilderna hittar du i början av bruksanvisningen.

I bruksanvisningen innebär "verktyget" alltid diamantborrverktyget DD 110-D.

Verktygets komponenter, manöver- och indikeringsdelar 1

Diamantborrverktyg DD 110-D

- 1 Sidohandtag
- 2 Växelväljare
- 3 Växelhus
- 4 Motor
- 5 Lock för kolborstar
- 6 Serviceindikering
- 7 Strömbrytare
- 8 Handtag
- 9 Kabel
- 10 Chuck
- 11 Specialutrustning: TPS

1 Allmän information

1.1 Riskindikationer och deras betydelse

FARA

Anger överhängande risker som kan leda till svåra personskador eller dödsolycka.

VARNING

Anger en potentiell risksituation som skulle kunna leda till allvarlig personskada eller dödsolycka.

FÖRSIKTIGHET

Anger situationer som kan vara farliga och leda till skador på person eller utrustning.

OBSERVERA

Används för viktiga anmärkningar och annan praktisk information.

1.2 Förklaring av illustrationer och fler anvisningar

Varningssymboler



Varning för allmän fara



Varning för farlig elspänning



Varning för het yta

Påbudssymboler



Använd skydds-
glasögon



Använd
skyddshjälm



Använd
hörselskydd



Använd
skydds-
handskar



Använd and-
ningskydd



Använd
skyddsskor



Läs bruksan-
visningen
före
användning

Övriga symboler

/min

Varv per
minut



Hänglås-
bol



Stölskydd



Serviceindi-
kering



Lämna
material till
återvinning

Här hittar du identifikationsdata på verktyget

Typbeteckningen och serienumret finns på typskylten. Skriv in dessa uppgifter i bruksanvisningen så att du alltid kan ange dem om du vänder dig till vår representant eller serviceverkstad.

Typ:

Serienr:

SV

2 Beskrivning

2.1 Korrekt användning

DD 110-D är ett eldrivet borrarverktyg med diamantkärna, avsett för manuell torrborrning i tegel med hjälp av diamantborrkronor och diamantdosfräs.

Verktyget är inte lämpligt för borrning i betong eller armerad betong.

Borrning i material som avger strömledande damm och/eller är brännbart (till exempel trä, magnesium) är inte tillåten. Använd i möjligaste mån en därför avsedd mobil dammsugare för varje användningsområde, till exempel Hilti-dammsugarna VCU 40, VCU 40-M eller VCD 50.

Använd endast Hilti-borrkronor och DD 110-D-originaltillbehör för att undvika skador.

Observera även de säkerhets- och användningsinstruktioner som gäller för tillbehören.

Observera de råd beträffande användning, skötsel och underhåll som ges i bruksanvisningen.

Verktyget är avsett för yrkesmässig användning och får endast användas, underhållas och startas av auktoriserad, utbildad personal. Personalen måste vara särskilt informerad om de eventuella risker som kan uppstå. Verktyget och dess tillbehör kan utgöra en risk om de används på ett felaktigt sätt av utbildad personal eller inte används enligt föreskrifterna.

Arbetsområden kan vara: byggplatser, verkstäder, renoveringar, ombyggnader och nybyggen.

Använd bara verktyget anslutet till elnät med spänning och frekvens som stämmer överens med uppgifterna på verktygets typskylt.

Hälsovådliga material (som asbest) får inte bearbetas.

Verktyget får inte ändras eller byggas om på något sätt.

2.2 Användningsområden med olika utrustningar

Borringstyper för DD 110-D	Borrkronor ϕ	Borriktning	Underlag
Genombrottsborring	16...162 mm ($\frac{5}{8}$ "...6 $\frac{1}{2}$ "")	Alla riktningar	Tegel (till exempel kalksandsten, tegelsten)
Bottenhålsborring/dosfräsning	16...162 mm ($\frac{5}{8}$ "...6 $\frac{1}{2}$ "")	Alla riktningar	Tegel (till exempel kalksandsten, tegelsten)

2.3 Tabell över växlar och de tillhörande borrkronornas diameter

Växel	PCM-borrkronor	HDM-borrkronor	Tomgångsvarvtal
1	42...162 mm (1 $\frac{5}{8}$ " ... 6 $\frac{1}{2}$ "")	102...162 mm (4" ... 6 $\frac{1}{2}$ "")	650/min
2		16...87 mm ($\frac{5}{8}$ " ... 3 $\frac{1}{2}$ "")	1 380/min

2.4 Stölskyddssystem TPS (tillval)

Verktyget kan som tillval förses med funktionen "stölskydd TPS". Ett verktyg med denna funktion kan endast låsas upp med tillhörande aktiveringsnyckel och är annars spärrat för användning.

2.5 I standardutrustningen ingår

- 1 Verktyg med sidohandtag och chuck
- 1 Bruksanvisning
- 1 Hilti-verktygslåda eller kartong

2.6 Användning av förlängningskabel

Använd endast godkända förlängningskablar med tillräckligt stor area.

Rekommenderad minsta area och max. kabellängd:

Kabelarea	1,5 mm ²	2 mm ²	2,5 mm ²	3,5 mm ²
Nätspänning 100 V	rekommenderas inte	rekommenderas inte	rekommenderas inte	40 m
Nätspänning 110–120 V	rekommenderas inte	rekommenderas inte	30 m	
Nätspänning 220–240 V	30 m		50 m	

Använd inte förlängningskablar med en kabelarea på 1,25 mm². Använd endast förlängningskabel med skyddsledare till verktyg med PRCD.

2.7 Användning av generator eller transformator

Detta verktyg kan drivas med en generator eller transformator under följande förutsättningar: Uteffekten i watt måste vara minst dubbelt så hög som den effekt som anges på verktygets typskylt och driftspänningen måste alltid ligga inom +5 % och -15 % i förhållande till märkspänningen. Frekvensen måste vara 50 till 60 Hz, aldrig över 65 Hz, och en automatisk spänningsreglerare med startförstärkning måste finnas.

OBSERVERA

Om andra verktyg kopplas till eller från kan under- eller överspänningstopparna orsaka skador på verktyget. Andra verktyg får aldrig använda samma generator/transformator.

3 Tillbehör

Beteckning	Artikelnummer, beskrivning
Stöldskydd TPS (Theft Protection System) med Company Card, Company Remote och aktiveringsnyckel TPS-K	tillval
Dammsugare	315773
Chuck M16	315774
Chuck BI+	315791
Chuck BR	315792
Chuck BT	315793
Nyckelchuck	315794
Snabbchuck	315795
Insticksände M27 för dosfräs	315805
Insticksände BI+ för dosfräs	315806
Insticksände M27 för borrkronor	315807
Insticksände BI+ för borrkrona	315824
Sidohandtag	315825
Dammsugare med insticksände BI+ för borrkronor	315826
Dammsugare med insticksände M27 för borrkronor	315827
Dammsugare med insticksände BI+ för dosfräs	315828
Dammsugare med insticksände M27 för dosfräs	331621
Anbörningsstöd dosfräs	281318
Anbörningsstöd dosfräs BI+	209661

SV

4 Teknisk information

Med reservation för tekniska ändringar!

Information om verktyget och dess användning

Mått (L x B x H)	446 mm x 120 mm x 170 mm
Vikt enligt EPTA-direktivet 01/2003	5,1 kg
Skyddstyp	II
Skyddstyp med PRCD-enhet	I

OBSERVERA

Verktyget finns med olika märkspänningar. Vilken märkspänning och effektopptagning ditt verktyg har ser du på typskylten.

Märkspänning [V]	100	110	110	120	220	230	240
Frekvens [Hz]	50...60	50	60	60	50/60	50...60	50
Märkeffekt [W]	1 450	1 600	1 570		1 600	1 600	1 600
Märkström [A]	15	15,4	15	14,1	7,7	7,4	7,1

Märkspänning [V]	100	110	110	120	220	230	240
Märkvarvtal 1:a växel [varv/min]	650	650	650	650	650	650	650
Märkvarvtal 2:a växel [varv/min]	1 380	1 380	1 380	1 380	1 380	1 380	1 380

OBSERVERA

Vibrationsnivån som anges i dessa instruktioner har uppmätts med en normerad mätmetod enligt EN 607 45 som kan användas för att jämföra olika elverktyg med varandra. Den kan också användas för att göra en preliminär uppskattning av vibrationsbelastningen. Den angivna vibrationsnivån gäller för elverktygets huvudsakliga användningsområden. När elverktyget begagnas inom andra användningsområden, med andra insatsverktyg eller med otillräckligt underhåll kan en mätning av vibrationsnivån ge avvikande värden. Detta kan ge en tydlig ökning av vibrationsbelastningen för hela arbetsperioden. För att uppskattningen av vibrationsbelastningen ska bli exakt bör man också räkna in de tider då verktyget är fränkopplat, eller då det är tillkopplat men inte används. Detta kan ge en tydlig minskning av vibrationsbelastningen för hela arbetsperioden. Vidta även ytterligare säkerhetsåtgärder för att skydda användaren från påverkan av vibrationer, t.ex.: Underhåll av elverktyg och insatsverktyg, möjlighet att hålla händerna varma, organisation av arbetsförloppen.

Bullerinformation (uppmätt enligt EN 60745-2-1)

Karaktäristisk A-vägd ljudeffektnivå	95 dB (A)
Karaktäristisk A-vägd ljudtrycksnivå	84 dB (A)
Osäkerhet för nominell ljudeffektnivå	3 dB (A)

Extra information enligt EN 60745-1, triaxiala vibrationsvärden (vibrationsvektorsumma)

Borrning i kalksandsten (torr) med PCM-borrkrona, $a_{h, DD}$	12 m/s ²
Borrning i kalksandsten (torr) med HDM-borrkrona, $a_{h, DD}$	5,8 m/s ²
Osäkerhet (K)	1,5 m/s ²

5 Säkerhetsföreskrifter

5.1 Allmänna säkerhetsföreskrifter för elverktyg

a) VARNING

Läs alla säkerhetsföreskrifter och anvisningar.

Att inte iaktta säkerhetsföreskrifter och anvisningar kan orsaka elstötar, brand och/eller allvarliga personskador. **Förvara alla säkerhetsföreskrifter och anvisningarna på ett säkert ställe för framtida användning.** Begreppet "elverktyg" som används i säkerhetsföreskrifterna avser nätdrivna elverktyg (med nätsladd) och batteridrivna elverktyg (sladdlösa).

5.1.1 Säker arbetsmiljö

- Håll arbetsområdet rent och väl belyst.** Oordning eller bristfällig belysning på arbetsplatsen kan leda till olyckor.
- Arbeta inte med elverktyget i omgivning med explosionsrisk där det finns brännbara vätskor, gaser eller damm.** Elverktygen alstrar gnistor som kan antända dammet eller gaserna.
- Håll barn och obehöriga personer på betryggande avstånd under arbetet med elverktyget.** Om du

störs av obehöriga personer kan du förlora kontrollen över elverktyget.

5.1.2 Elektrisk säkerhet

- Elverktygets elkontakt måste passa till vägguttaget. Elkontakten får absolut inte ändras. Använd inte adapterkontakter tillsammans med skyddsjordade elverktyg.** Originalkontakter och lämpliga vägguttag minskar risken för elstötar.
- Undvik kroppskontakt med jordade ytor som rör, värmelement, spisar och kylskåp.** Det finns en större risk för elstötar om din kropp är jordad.
- Skydda elverktyget från regn och väta.** Tränger vatten in i ett elverktyg ökar risken för elstötar.
- Använd inte kabeln på ett felaktigt sätt, t.ex. genom att bära eller hänga upp elverktyget i den eller dra i den för att lossa elkontakten ur vägguttaget. Håll nätsladden på avstånd från värmekällor, olja, skarpa kanter och rörliga delar.** Skadade eller tilltrasslade kablar ökar risken för elstötar.
- När du arbetar med ett elverktyg utomhus, använd endast en förlängningskabel som är avsedd för**

utomhusbruk. Om en lämplig förlängningskabel för utomhusbruk används minskar risken för elstötar.

- f) **Om det är alldeles nödvändigt att använda elverktyget i fuktig miljö ska du använda en jordfelsbrytare.** Användning av jordfelsbrytare minskar risken för elstötar.

5.1.3 Personssäkerhet

- a) **Var uppmärksam, ha uppsikt över vad du gör och använd elverktyget med förnuft. Använd inte elverktyget när du är trött eller om du är påverkad av droger, alkohol eller mediciner.** Under användning av elverktyg kan även en kort stunds bristande uppmärksamhet leda till allvarliga personskador.
- b) **Bär alltid personlig skyddsutrustning och skyddsglasögon.** Den personliga skyddsutrustningen, som t.ex. dammskyddsmask, halkfria säkerhetsskor, hjälm eller hörselskydd – med beaktande av elverktygets modell och driftsätt – reducerar risken för kroppsskada.
- c) **Undvik oavsiktlig igångsättning. Se till att elverktyget är fränkopplat innan du ansluter det till nätströmmen och/eller batteriet, tar upp det eller bär det.** Om du bär elverktyget med fingret på strömbrytaren eller ansluter ett tillkopplat verktyg till nätströmmen kan en olycka inträffa.
- d) **Ta bort alla inställningsverktyg och skruvnycklar innan du kopplar in elverktyget.** Ett verktyg eller en nyckel i en roterande komponent kan medföra kroppsskada.
- e) **Undvik en onormal kroppshållning. Se till att du står stadigt och håller balansen.** Då kan du lättare kontrollera elverktyget i oväntade situationer.
- f) **Bär lämpliga kläder. Bär inte löst hängande kläder eller smycken. Håll håret, kläderna och handskarna på avstånd från rörliga delar.** Löst hängande kläder, smycken och långt hår kan dras in av roterande delar.
- g) **När du använder elverktyg med anordningar för uppsugning och uppsamling av damm, bör du kontrollera att dessa anordningar är rätt monterade och används korrekt.** Används en dammsugare kan faror som orsakas av damm minskas.

5.1.4 Användning och hantering av elverktyget

- a) **Överbelasta inte verktyget. Använd elverktyg som är avsedda för det aktuella arbetet.** Med ett lämpligt elverktyg kan du arbeta bättre och säkrare inom angivet effektområde.
- b) **Ett elverktyg med defekt strömbrytare får inte längre användas.** Ett elverktyg som inte kan kopplas in eller ur är farligt och måste repareras.
- c) **Dra ut elkontakten ur uttaget och/eller ta ut batteriet innan du gör inställningar, byter tillbehör eller lägger ifrån dig verktyget.** Denna skyddsåtgärd förhindrar oavsiktlig inkoppling av elverktyget.
- d) **Förvara elverktygen oåtkomliga för barn. Verktyget får inte användas av personer som inte är förtrogna med dess användning eller inte har läst denna anvisning.** Elverktyg är farliga om de används av oerfarna personer.

- e) **Underhåll elverktygen noggrant. Kontrollera att rörliga komponenter fungerar felfritt och inte kärvar och att komponenter inte har brustit eller skadats så att elverktygets funktion påverkas negativt. Se till att skadade delar repareras innan verktyget används igen.** Många olyckor orsakas av dåligt skötta elverktyg.
- f) **Håll insatsverktygen skarpa och rena.** Omsorgsfullt skötta insatsverktyg med skarpa egg kommer inte så lätt i kläm och går lättare att styra.
- g) **Använd elverktyg, tillbehör, insatsverktyg osv. enligt dessa anvisningar. Ta hänsyn till arbetsvillkoren och arbetsmomenten.** Används elverktyget på icke ändamålsenligt sätt kan farliga situationer uppstå.

5.1.5 Service

- a) **Låt endast kvalificerad fackpersonal reparera elverktyget och använd då endast originalreservdelar.** Detta garanterar att elverktygets säkerhet upprätthålls.

5.2 Säkerhetsföreskrifter för bormaskiner

- a) **Använd de extrahandtag som levereras tillsammans med verktyget.** Tappar du kontrollen över verktyget kan det leda till skador.
- b) **Håll i verktygets isolerade greppytor vid arbeten där du riskerar att träffa dolda strömkablar eller den egna nätkabeln.** Vid kontakt med en spänningssatt ledning kan metalldelen på verktyget spänningssättas och ge dig en stöt.

5.3 Extra säkerhetsföreskrifter

5.3.1 Personssäkerhet

- a) **Håll alltid verktyget med båda händerna i de därför avsedda handtagen vid handhållen drift. Se till att handtaget är torrt, rent och fritt från olja och fett.**
- b) **Om verktyget används utan dammsugare måste du använda ett lätt andningskydd när du arbetar med dammalstrände material.**
- c) **Gör pauser i arbetet och utför avslappnings- och fingerövningar som ökar blodgenomströmningen i fingrarna.**
- d) **Rör inte vid roterande delar. Koppla inte in verktyget förrän det är i arbetsområdet.** Beröring av roterande delar, särskilt roterande tillbehör, kan leda till personskador.
- e) **Håll alltid undan nätkabeln, förlängningskabeln och i förekommande fall också dammsugaren från verktyget medan arbetet pågår.** Detta minskar risken för att snubbla på kabeln eller slangen.
- f) **Barn bör tillsägas att inte leka med verktyget.**
- g) **Verktyget är inte avsett att användas av barn, funktionshindrade eller utbildade personer.**
- h) **Damm från material som blyhaltig färg, vissa träslag, mineraler och metall kan vara hälsofarliga.** Beröring eller inandning av dammet kan orsaka allergiska reaktioner och/eller sjukdomar i andningsvägarna hos användaren eller hos personer som befinner sig i närheten. Vissa slags damm, från till exempel ek eller

bok, anses vara cancerframkallande, särskilt i kombination med tillsatsämnen för behandling av trä (kromat, träskyddsmedel). Asbesthaltigt material får bara bearbetas av särskilt utbildad personal. **Använd om möjligt en dammsugare. För att dammsugningen ska bli effektiv är det bäst att använda en mobil dammsugare för trä och/eller mineraldamm, som rekommenderas av Hilti och som är anpassad för detta elverktyg. Se till att det finns bra ventilation på arbetsplatsen. Vi rekommenderar användning av andningskyddsmask med filterklass P2. Följ de gällande landsspecifika föreskrifterna för de material som ska bearbetas.**

5.3.2 Omsorgsfull hantering och användning av elverktyg

- a) **Spänn fast materialet ordentligt. Sätt fast materialet med en spännanordning eller ett skruvståd.** På så vis hålls arbetsstycket fast bättre än för hand och du har dessutom båda händerna fria för att hantera verktyget.
- b) **Se till att bitshållare, borrh etc. passar i verktyget och sitter fast ordentligt i chucken.**
- c) **Stäng av instrumentet och dra ut elkontakten vid strömavbrott.** Detta garanterar att instrumentet inte kopplas på av misstag när strömmen kommer tillbaka.

5.3.3 Elektrisk säkerhet

- a) **Kontrollera arbetsområdet i förväg, om där finns dolda elkablar, gas- och vattenledningar, med t.ex. en metalldetektor.** Verktygets yttre metalldelar kan bli spänningsförande om du t.ex. råkar skada en nätkabel. Detta innebär en allvarlig risk för elstötar.
- b) **Om en PRCD-enhet följer med vid leveransen ska verktyget aldrig användas utan den medföljande PRCD-enheten (för GB-versionen aldrig utan skiljetransformator).** Kontrollera PRCD-enheten före varje användning.
- c) **Kontrollera verktygets anslutningskabel regelbundet och låt behörig fackman byta ut**

kabeln om den är skadad. Om elverktygets anslutningskabel är skadad måste den bytas ut mot en för ändamålet avsedd och godkänd anslutningskabel som kan beställas via kundtjänst. Kontrollera förlängningskablarna regelbundet och byt ut dem om de är skadade. Om kabeln eller förlängningskabeln skadas under arbetet ska du inte röra vid den. Dra ut elkontakten ur uttaget. Skadade kablar och förlängningskablar utgör en risk för elstötar.

- d) **När du arbetar med ett elverktyg utomhus bör du se till att verktyget är anslutet till nätet med en jordfelsbrytare (RCD) med maximalt 30 mA utlösningsström.** Används jordfelsbrytare minskar risken för elstötar.
- e) **Vi rekommenderar att du använder en jordfelsbrytare (RCD) med högst 30 mA utlösningsström.**

5.3.4 Arbetsplats

- a) **Se till att det finns bra ventilation på arbetsplatsen.** Dåligt ventilerade arbetsplatser kan orsaka hälsoskador på grund av för mycket damm.
- b) **Anslut en dammsugare vid dammalstrande arbete.** Hälsoskadliga material (som asbest) får inte bearbetas med verktyget.

5.3.5 Personlig skyddsutrustning



När verktyget används måste användaren och personer som befinner sig i närheten bära därför avsedda skyddsglasögon, skyddshjälm, hörselskydd, skyddshandskar, säkerhetsskor samt ett lätt andningskydd vid dammutveckling.

6 Före start



FÖRSIKTIGHET

Spänningen måste vara densamma som på verktygets tpskyt. Försäkra dig om att verktyget inte är anslutet till elnätet.

FARA

Spärra av den andra sidan av väggen vid genomborring eftersom material eller borrhärdar kan falla bakåt och utgöra fara. Spärra av undersidan vid genom-

borring av golv eftersom material eller borrhärdar kan falla ner och utgöra fara.

FÖRSIKTIGHET

Verktyget ska inte vara nätanslutet vid transport. Dra ut elkontakten.

6.1 Placera sidohandtagen 2

FÖRSIKTIGHET

Dra ut elkontakten ur uttaget.

1. Öppna sidohandtagsklämman genom att vrida på greppdelen.

2. Vrid sidohandtaget till önskat läge.
3. Spänn fast sidohandtaget genom att vrida på greppet.

6.2 Montering av diamantborrkrona 3



FARA

Använd aldrig skadade insatsverktyg. Före varje användningstillfälle bör du kontrollera att insatsverktyget är fritt från splittrbildning, sprickor, förlitning och betydande nötning. Använd inte skadade verktyg. Delar som splittras från arbetsstycket eller insatsverktyg som går av kan slungas iväg och orsaka skador även utanför själva arbetsområdet.

OBSERVERA

Diamantborrkronor måste bytas så snart skärningen resp. borrarngen uppvisar en märkbart minskad effekt. I allmänhet inträffar det när diamantsegmentens höjd är mindre än 2 mm.

FÖRSIKTIGHET

Använd endast Hilti-borrkronor och DD 110-D-originaltillbehör för att undvika skador. För verktyg med BI+ chuck är bara Hiltis originalborrkronor tillåtna.

FÖRSIKTIGHET

Verktyget kan vara hett efter användning eller slipning. Du kan bränna händerna. **Du bör använda skyddshandskar när du byter tillbehör.**

FÖRSIKTIGHET

Dra ut elkontakten ur uttaget.

FÖRSIKTIGHET

Kontrollera att anborrningsstödet är säkert placerat i borrkronan.

FÖRSIKTIGHET

När du använder anborrningsstödet ska verktyget ha kontakt med underlaget även vid tomgång.

OBSERVERA

Chuckarna BR, BT, M16, M27 manövreras med en lämplig U-nyckel.

Chucken, adaptorn och verktyget måste vara rena.

1. Öppna chucken (BI+) genom att vrida den i angiven riktning.
2. Trä framifrån diamantborrkronan på chuckens (BI+) tandning och vrid tills den går i lås.
3. Lås chucken (BI+) genom att vrida den i angiven riktning.
4. Dra i borrkronan och vicka den åt olika håll för att kontrollera att den sitter ordentligt fast i chucken.

6.3 Montering av dammsugare (tillval)

6.3.1 Dosfräs 4

1. Skjut in anborrningsstödet med spetsen framåt till anslag i dosfräsens insticksände med dammsugaren.
2. Montera insticksändan i chucken enligt montering av diamantborrkrona.
3. Skjut tillbaka låsringen och dammsugaren i riktning mot verktyget.
4. Montera dosfräsen på insticksändan.
5. Skjut in dammsugaren i riktning mot verktyget tills den ligger an mot borrkronan och fixera detta läge genom att skjuta låsringen i riktning mot dosfräsen.
6. Kontrollera att dammsugaren kan vridas fritt i förhållande till verktyget.

6.3.2 Borrkrona

1. Montera insticksändan för borrkronan med dammsugaren i chucken enligt diamantborrkronans montage.
2. Montera borrkronan på insticksändan.

6.4 Välja varvtal 5

FÖRSIKTIGHET

Ej inkoppling under drift. Vänta tills spindeln har stannat.

Välj inställning enligt bordindiameter. Vrid omkopplaren till rekommenderad ställning samtidigt som du vrider runt borrkronan (se kapitlet Beskrivning).

6.5 Demontering av diamantborrkrona



FÖRSIKTIGHET

Verktyget kan vara hett efter användning eller slipning. Du kan bränna händerna. **Du bör använda skyddshandskar när du byter tillbehör.**

FÖRSIKTIGHET

Dra ut elkontakten ur uttaget.

OBSERVERA

På chuckar av typen BR, BT, M27, M16 fixerar du chucken och tar sedan bort borrkronan med en lämplig U-nyckel.

1. Öppna chucken (BI+) genom att vrida den i angiven riktning.
2. Dra chuckens hylsa i pilens riktning mot verktyget. På så sätt lossnar borrkronan.
3. Ta bort borrkronan.

7 Drift



VARNING

Se till att kabeln och slangarna inte kommer i kontakt med roterande delar.

FARA

Var försiktig när du arbetar med slitsad borrhälskrona så du inte nuddar skäret med fingrarna.

FÖRSIKTIGHET

Verktyget och borringen orsakar buller. Bär hörsel-skydd. Alltför starkt ljud kan skada hörseln.

FÖRSIKTIGHET

Vid borringen kan farligt splittret uppstå. Splittret kan skada hud och ögon. Använd skyddsglasögon och skyddshjäl.

VARNING

Verktyget har ett högt vridmoment beroende på användningsområde. Använd sidohandtaget och håll alltid verktyget med båda händerna när du arbetar med det. Användaren måste vara förberedd på att verktyget plötsligt kan blockeras.

FARA

Användaren måste stå stadigt med båda fötterna med tanke på att verktyget plötsligt kan fastna.

7.1 Stölskyddssystem TPS (tillval)

OBSERVERA

Verktyget kan som tillval föras med funktionen "stölskydd". Ett verktyg med denna funktion kan endast låsas upp med tillhörande aktiveringsnyckel och är annars spärrat för användning.

7.1.1 Aktivera verktyget

1. Kontrollera att verktyget har nätspänning. Den gula stölskyddslampan blinkar. Verktyget kan nu ta emot signalen från aktiveringsnyckeln.
2. För aktiveringsnyckeln eller TPS-klockans spänne direkt till hänglås-symbolen. När den gula stölskyddslampan har slocknat är verktyget klart att användas.

OBSERVERA Avbryts strömtillförseln, t.ex. vid byte av arbetsplats eller strömavbrott, förblir verktyget aktiverat i cirka 20 minuter. Vid längre avbrott måste skyddet låsas upp med aktiveringsnyckeln.

7.1.2 Aktivering av verktygets stölskyddsfunktion

OBSERVERA

Mer detaljerad information om aktivering och användning av stölskyddet finns i bruksanvisningen "Stölskydd".

7.2 Koppla in PRCD-jordfelsbrytaren och kontrollera den (i förekommande fall)

1. Sätt i verktygets elkontakt i ett jordat uttag.
2. Tryck på återställningsknappen på PRCD-jordfelsbrytaren.
Indikering ska visas.
3. Tryck på knappen "TEST" på PRCD-jordfelsbrytaren.
Indikeringen ska försvinna.
4. **VARNING Om signalen inte slocknar får verktyget inte användas mer.** Lämna verktyget till kvalificerad fackpersonal som reparerar det med originalreservdelar.
Tryck på återställningsknappen på PRCD-jordfelsbrytaren.
Indikering ska visas.

7.3 Arbeta med dammsugare

FÖRSIKTIGHET

Hålla alltid undan dammsugarslangens från verktyget så att den inte kommer i kontakt med borrhälskronan.

FÖRSIKTIGHET

Läs om avfallshantering av det uppsugna materialet i bruksanvisningen till dammsugaren.

OBSERVERA

Använd en antistatisk dammsugare för att undvika statisk elektricitet.

7.3.1 Dammsugare med kontakt för elverktyg 6

FÖRSIKTIGHET

Använd inte slitsad borrhälskrona vid arbeten med dammsugare.

OBSERVERA

Tillvalsåtgärderna utförs med användning av det tvådelade anborningsstödet.

1. Placera sidohandtaget i önskat läge och spänn fast det.
2. Montera anborningsstödet (tillval).
3. Sätt in verktygets elkontakt i dammsugaruttaget.
4. Sätt dammsugarkontakten i uttaget och tryck på PRCD-enhetens återställningsbrytare, i förekommande fall.
5. Rikta in verktyget mot borrhälskronans centrum.

- Tryck på elverkytets strömbrytare.
OBSERVERA Dammsugaren startas tidsfördröjt efter elverkytet. När elverkytet kopplas från kopplas också dammsugaren tidsfördröjt från.
- Tryck lätt i början av borringen tills borrkronan har centererats. Först därefter kan du trycka hårdare. Gör ett 3-5 mm djupt styrsnitt (tillval).
- Stoppa verktyget genom att släppa upp strömbrytaren och vänta tills borrkronan har stannat upp helt (tillval).
- Ta ut anborrningsstödet ur borrkronan (tillval).
- Placera borrkronan i styrsnittet, tryck på strömbrytaren och fortsätt borringen (tillval).

7.3.2 Dammsugare utan kontakt för elverkyt

FÖRSIKTIGHET

Använd inte slitsad borrkrona vid arbeten med dammsugare.

OBSERVERA

Tillvalsåtgärderna utförs med användning av det tvådelade anborrningsstödet.

- Placera sidohandtaget i önskat läge och spänn fast det.
- Montera anborrningsstödet (tillval).
- Sätt in elkontakten i uttaget och ställ dammsugaren bredvid.
- Sätt verktygskontakten i uttaget och tryck på PRCD-enhetens återställningsbrytare, i förekommande fall.
- Tryck på elverkytets strömbrytare.
- Tryck lätt i början av borringen tills borrkronan har centererats. Först därefter kan du trycka hårdare. Gör ett 3-5 mm djupt styrsnitt (tillval).
- Stoppa verktyget genom att släppa upp strömbrytaren och vänta tills borrkronan har stannat upp helt (tillval).
- Ta ut anborrningsstödet ur borrkronan (tillval).
- Placera borrkronan i styrsnittet, tryck på strömbrytaren och fortsätt borringen (tillval).
- Låt dammsugaren gå ett par sekunder längre än verktyget för att dammsuga bort restmaterial innan du kopplar ur den.

7.4 Arbeta utan dammsugare



OBSERVERA

Använd slitsade borrkronor när du borrar utan dammsugare.

OBSERVERA

Ta bort dammsugaren eller fäst den så att den inte roterar.

OBSERVERA

Tillvalsåtgärderna utförs med användning av det tvådelade anborrningsstödet.

FÖRSIKTIGHET

Dra ut elkontaktaken ur uttaget när du avsläpnar borrkärnan.

FARA

Bär ett lätt andningsskydd.

OBSERVERA

Dammet avges i alla riktningar. Borring utan dammsugare, särskilt när den utförs över huvudhöjd, är mycket obehaglig och effekten blir inte optimal. Borring över huvudhöjd utan dammsugare rekommenderas därför inte. Du bör alltid använda den därför avsedda dammsugaren vid torrborring.

- Placera sidohandtaget i önskat läge och spänn fast det.
- Montera anborrningsstödet (tillval).
- Sätt elkontakten i uttaget och tryck på PRCD-enhetens återställningsbrytare, i förekommande fall.
- Rikta in verktyget mot borrställets centrum.
- Tryck på elverkytets strömbrytare.
- Tryck lätt i början av borringen tills borrkronan har centererats. Först därefter kan du trycka hårdare. Gör ett 3-5 mm djupt styrsnitt (tillval).
- Stoppa verktyget genom att släppa upp strömbrytaren och vänta tills borrkronan har stannat upp helt (tillval).
- Ta ut anborrningsstödet ur borrkronan (tillval).
- Placera borrkronan i styrsnittet, tryck på strömbrytaren och fortsätt borringen (tillval).

SV

7.5 Frånkoppling och demontering av systemet



FÖRSIKTIGHET

Använd skyddshandskar vid byte av insatsverktyg eftersom dessa kanske fortfarande är heta.

FÖRSIKTIGHET

Borrkronan är fylld med damm och bormaterial. **Se till att du har tillräckligt stöd för bormaterialets extra tyngd.**

OBSERVERA

Transportera helst verktyget i Hilti-verktygslådan.

- Frigör strömbrytaren på elverkytet och dra långsamt ut borrkronan ur borrhålet.
- Koppla från dammsugaren om du har använt en sådan.
- Kontrollera att verktyget inte längre än anslutet till elnätet.
- Ta bort borrkärnan om det är nödvändigt.
- Ta bort borrkronan.

7.6 Arbetssteg när borrkronan har fastnat

Om borrkronan kläms fast löser slirkopplingen ut tills användaren kopplar från verktyget. Lossa borrkronan så här:

7.6.1 Lossning av borrkrona med U-nyckel

1. Dra ur stickproppen ur uttaget.
2. Grip tag i borrkronan nära insticksändan med en lämplig U-nyckel och vrid tills borrkronan lossnar.

3. Stick in elkontakten i uttaget.
4. Fortsätt med borrningen.

7.7 Transport

FÖRSIKTIGHET

Försäkra dig om att verktyget inte är anslutet till elnätet.

OBSERVERA

Förvara och transportera helst verktyget i verktygslådan.

8 Skötsel och underhåll

FÖRSIKTIGHET

Dra ut elkontakten ur uttaget.

8.1 Underhåll av insatsverktyg och metalldelar

Ta bort smuts som sitter fast och skydda ytorna på insatsverktygen och chucken mot rost genom att gnida in dem då och då med en oljefuktad putsduk.

Håll alltid insticksändan ren och lätt infettad.

8.2 Underhåll av verktyget

FÖRSIKTIGHET

Håll verktyget rent och fritt från olja och fett (särskilt greppytorna). Använd inga silikonhaltiga skyddsmedel.

Använd aldrig verktyget med tilltäppta ventilations-springor! Rengör ventilations-springorna försiktigt med en torr borste. Se till så att främmande föremål inte kommer in i verktyget. Rengör verktygets utsida regelbundet med en lätt fuktad putstrasa. Använd ej högtrycksspruta, ångstråle eller rinnande vatten till rengöringen! Verktygets elsäkerhet kan riskeras.

8.3 Underhåll

WARNING

Reparationer på de elektriska delarna får endast utföras av behörig fackman.

Kontrollera regelbundet verktygets alla yttre delar med avseende på skador och alla manöverfunktioner med avseende på god funktion. Använd inte verktyget om delar är skadade eller manöverfunktioner inte fungerar väl. Låt Hilti-service reparera verktyget.

8.4 Byta ut kolborstarna 7

OBSERVERA

Signallampen med U-nyckelsymbolen lyser när kolborstarna måste bytas ut.

FARA

Verktyget får endast användas, skötas och underhållas av auktoriserad, utbildad personal! Personalen måste vara särskilt informerad om de eventuella risker som kan uppstå. Om inte följande anvisningar följs, löper man risk att utsättas för farlig elspänning.

1. Koppla bort verktyget från elnätet.
2. Öppna kolborstarnas lock på vänster och höger sida om motorn.
3. Notera på vilket sätt kolborstarna är monterade och hur kablarna ligger. Ta ut de förbrukade kolborstarna ur verktyget.
4. Montera de nya kolborstarna på precis samma sätt som de gamla var monterade (reservdelsnummer: Kolborste AO ML 100-127 V: 39577; Kolborste AO ML 220-240 V: 39576).

OBSERVERA Se till att du inte skadar signalkabelns isolering när du sätter ditt nya kolborstar.

5. Skruva fast kolborstarnas lock på vänster och höger sida om motorn.

OBSERVERA Signallampen slocknar när kolborsten har bytts ut och verktyget ansluts till nätet igen.

8.5 Kontroll efter service- och underhållsarbeten

Efter service- och underhållsarbeten ska du kontrollera att alla skyddsanordningar har satts på och fungerar väl.

9 Felsökning

Fel	Möjlig orsak	Lösning
Verktyget startar inte	Strömförsörjningen är bruten	Koppla in en annan elektrisk apparat och se efter om den fungerar. Kontrollera elkontakt, nätkabel, PRCD, elnät

Fel	Möjlig orsak	Lösning
Verktyget startar inte	Kolborstarna är avslagna	Byt ut kolborstarna Se kapitlet: 8.4 Byta ut kolborstarna 7
	Strömbrytaren är defekt	Låt Hilti-service reparera verktyget.
	Strömtillförsel bruten	Kontrollera nätkabel och i förekommande fall dammsugare, förlängningskabel, elkontakt, PRCD-enhet och låt yrkeselektriker byta ut dem om så behövs
	Elektroniken är defekt	Låt Hilti-service reparera verktyget.
Verktyget går inte att köra och serviceindikeringen lyser	Kolborstarna är slitna	Byt ut kolborstarna Se kapitlet: 8.4 Byta ut kolborstarna 7
Verktyget går inte att köra, kolborstarna har bytts ut, serviceindikeringen lyser	Skador på verktyget.	Låt Hilti-service reparera verktyget.
Serviceindikeringen lyser	Kolborstarna är slitna; några timmars gångtid återstår.	Kolborstarna bör bytas. Se kapitlet: 8.4 Byta ut kolborstarna 7
Serviceindikeringen blinkar	Varvtalsfel	Låt Hilti-service reparera verktyget.
Verktyget går inte att köra, stöldskyddsindikeringen blinkar gult.	Verktyget är inte aktiverat (om verktyget är försett med stöldskydd som tillval).	Aktivera verktyget med aktiveringsnyckeln.
Motorn går. Diamantborrkronan roterar inte	Växelväljaren har inte låsts i sitt läge	Vrid växelväljaren tills den hamnar i rätt läge
	Växelhuset är defekt	Låt Hilti-service reparera verktyget.
Borrningshastigheten minskar	Diamantborrkronan är avslipad	Slipa diamantborrkronan med slipp-lattan
	Diamantborrkronan är avslipad	Borrkronans specifikation är ogiltig. Fråga Hilti om råd
	Borrkärnan sitter fast i diamantborrkronan	Avlägsna borrkärnan
	Max borrdjup uppnått	Ta bort borrkärnan och använd borrkroneförlängning
	Diamantborrkronan är defekt	Kontrollera om det finns skador på diamantborrkronan och byt vid behov ut den
	Slirkopplingen löser ut för tidigt eller slirar	Låt Hilti-service reparera verktyget.
	Dammet förhindrar fortsatt borring	Använd därför avsedd dammsugare
Det går inte att sätta in diamantborrkronan i chucken	Insticksände/chuck är nedsmutsad eller skadad	Rengör insticksändan/chucken och byt ut vid behov
Borrsystemet har för mycket spel	Borrkronan är inte tillräckligt fastskruvad i chucken	Skruva fast
	Insticksändan är defekt	Kontrollera insticksändan och byt ut vid behov

10 Avfallshantering



Hiltis verktyg är till stor del tillverkade av återvinningsbart material. En förutsättning för återvinning är att materialet separeras på rätt sätt. I många länder tar Hilti emot sina uttjänta produkter för återvinning. Fråga Hiltis kundservice eller din Hilti-säljare.



Gäller endast EU-länder

Elektriska verktyg får inte kastas i hushållssoporna!

Enligt EG-direktivet som avser äldre elektrisk och elektronisk utrustning, och dess tillämpning enligt nationell lag ska uttjänta elektriska verktyg sorteras separat och lämnas till återvinning som är skonsam mot miljön.

SV

11 Tillverkarens garanti

Vänd dig till din lokala HILTI-representant om du har frågor om garantivillkoren.

12 Försäkran om EU-konformitet (original)

Beteckning:	Diamantborrsystem
Typbeteckning:	DD 110-D
Konstruktionsår:	2007

Vi försäkrar under eget ansvar att produkten stämmer överens med följande riktlinjer och normer: till den 19 april 2016: 2004/108/EG, från och med den 20 april 2016: 2014/30/EU, 2006/42/EG, 2011/65/EU, EN 60745-1, EN 60745-2-1, EN ISO 12100.

**Hilti Corporation, Feldkircherstrasse 100,
FL-9494 Schaan**

Paolo Luccini

Head of BA Quality and Process Management
Business Area Electric Tools & Accessories
06/2015

Johannes Wilfried Huber

Senior Vice President
Business Unit Diamond

06/2015

Teknisk dokumentation vid:

Hilti Entwicklungsgesellschaft mbH
Zulassung Elektrowerkzeuge
Hiltistrasse 6
86916 Kaufering
Deutschland

ALKUPERÄISET OHJEET

Timanttiporauslaite DD 110-D

Lue ehdottomasti tämä käyttöohje ennen laitteen käyttämistä.

Säilytä käyttöohje aina laitteen mukana.

Varmista, että käyttöohje on laitteen mukana, kun luovutat laitteen toiselle henkilölle.

Sisällysluettelo	Sivu
1 Yleisiä ohjeita	85
2 Kuvaus	86
3 Lisävarusteet	88
4 Tekniset tiedot	88
5 Turvallisuusohjeet	89
6 Käyttöönotto	92
7 Käyttö	93
8 Huolto ja kunnossapito	95
9 Vianmääritys	96
10 Hävittäminen	97
11 Laitteen valmistajan myöntämä takuu	97
12 EU-vaatimustenmukaisuusvakuutus (originaali)	98

1 Numerot viittaavat kuviin. Kuvat löydät käyttöohjeen alusta.

Tämän käyttöohjeen tekstissä sana »laite« tarkoittaa aina timanttiporauslaitetta DD 110-D.

Laitteen osat, käyttö- ja näyttöelementit 1

Timanttiporauslaite DD 110-D

- ① Sivukahva
- ② Vaihteen valintakytkin
- ③ Vaihteisto
- ④ Moottori
- ⑤ Hiiliharjojen suojus
- ⑥ Huollon merkkivalo
- ⑦ Käyttökytin
- ⑧ Käsikahva
- ⑨ Verkkojohto
- ⑩ Työkaluistukka
- ⑪ Lisävaruste: TPS

fi

1 Yleisiä ohjeita

1.1 Varoitustekstit ja niiden merkitys

VAKAVA VAARA

Varoittaa vaaratilanteesta, josta voi seurauksena olla vakava loukkaantuminen tai jopa kuolema.

VAARA

Varoittaa vaaratilanteesta, josta voi seurauksena olla vakava loukkaantuminen tai kuolema.

VAROITUS

Varoittaa vaaratilanteesta, josta voi seurauksena olla loukkaantuminen, vaurioituminen tai aineellinen vahinko.

HUOMAUTUS

Antaa toimintaohjeita tai muuta hyödyllistä tietoa.

1.2 Symboleiden ja muiden huomautusten merkitys

Varoitussymbolit



Yleinen vaara



Vaara: vaarallisen korkea sähköjännite



Vaara: kuuma pinta

Ohjesymbolit



Käytä suojalaseja



Käytä suoja-
kypärää



Käytä kuu-
losuojaimia



Käytä suoja-
käsineitä



Käytä hengi-
tysuojainta



Käytä
turvakenkiä



Lue
käyttöohje
ennen
käyttämistä

fi

Symbolit

/min

Kierrosta
minuutissa



Lukkosym-
boli



Varkaussuo-
jaan liittyvä
huomautus



Huollon
merkkivalo



Materiaalit
ohjattava
uusiokäyt-
töön

Laitteen tunnistetietojen sijainti

Tyyppimerkinnän ja sarjanumeron löydät laitteen tyyppikilvestä. Merkitse nämä tiedot myös laitteesi käyttöohjeeseen ja ilmoita nämä tiedot aina kun otat yhteyttä Hilti-myyntiedustajaan tai Hilti-asiakaspalveluun.

Tyyppi:

Sarjanumero:

2 Kuvas

2.1 Määräystenmukainen käyttö

DD 110-D sähkökäyttöinen timanttiporauslaite, joka on tarkoitettu tiilimuurauksen kuivaporaukseen käsiohjauksessa timanttiporakruunuilla ja timanttirasiaupottimilla.

Laitte ei sovellu betonin tai raudoitettun betonin poraamiseen.

Sellaisten materiaalien, joiden poraamisessa syntyy sähköä johtavaa pölyä ja/tai jotka ovat syttyviä (esimerkiksi puu, magnesium), poraaminen ei ole sallittua.

Käytä työskennellessäsi sopivaa liikuteltavaa pölynpoistovarustusta, esimerkiksi Hilti-pölynimuria VCU 40, VCU 40-M tai VCD 50.

Loukkaantumisaaran välttämiseksi käytä vain alkuperäisiä Hilti-porakruunuja ja laitteen DD 110-D lisävarusteita.

Noudata myös käytettävän lisävarusteen turvallisuus- ja käyttöohjeita.

Noudata käyttöohjeessa annettuja käyttöä, huoltoa ja kunnossapitoa koskevia ohjeita.

Laitte on tarkoitettu ammattikäyttöön. Laitetta saa käyttää, huoltaa tai korjata vain valtuutettu, koulutettu henkilö.

Käyttäjän pitää olla hyvin perillä käyttöön liittyvistä vaaroista. Laitte ja sen varusteet saattavat aiheuttaa vaaratilanteita, jos kokemattomat henkilöt käyttävät laitetta ohjeiden vastaisesti tai muutoin asiattomasti.

Käyttökohteita voivat olla: rakennustyömaa, verstaas, saneeraaminen, muutusrakentaminen ja uuden rakentaminen.

Laitteen saa liittää vain verkkovirtaan, jonka jännite ja taajuus vastaavat laitteen tyyppikilvestä olevia tietoja.

Terveydelle vaarallisia materiaaleja (esimerkiksi asbesti) ei saa työstää.

Laitteeseen ei saa tehdä minkäänlaisia muutoksia.

2.2 Käyttö erilaisten varusteiden yhteydessä

Poraustavat, laite DD 110-D	Porakruunut \varnothing	Poraussuunta	Alusta
Läpiporaukset	16...162 mm ($\frac{5}{8}$ "...6 $\frac{1}{2}$ "")	Kaikki suunnat	Tiiliimuuraus (esimerkiksi kalkkikivitili, poltettu tiili)
Ei läpi porattavat reiät / rasioiden upotus	16...162 mm ($\frac{5}{8}$ "...6 $\frac{1}{2}$ "")	Kaikki suunnat	Tiiliimuuraus (esimerkiksi kalkkikivitili, poltettu tiili)

2.3 Vaihteet ja niille sopivat porakruunujen halkaisijat -taulukko

Vaihte	PCM-porakruunut	HDM-porakruunut	Tyhjäkäyntikierrosluku
1	42...162 mm (1 $\frac{3}{8}$ " ... 6 $\frac{1}{2}$ "")	102...162 mm (4" ... 6 $\frac{1}{2}$ "")	650/min
2		16...87 mm ($\frac{5}{8}$ " ... 3 $\frac{1}{2}$ "")	1380/min

2.4 TPS-varkaussuoja (lisävaruste)

Laitteeseen on lisävarusteena saatavana varkaussuoja TPS. Jos laitteessa on tämä toiminto, laitteen käyttämisen voi sallia vain laitteeseen kuuluvalla käyttöluupa-avaimella.

2.5 Laitteen mukana toimitettava vakiovarustus:

- 1 Laite, sivukahva ja työkaluistukka
- 1 Käyttöohje
- 1 Hiiti-kantolaukku tai pahvipakkaus

2.6 Jatkojohdon käyttö

Käytä vain sellaista jatkojohtoa, jonka käyttö työpaikan olosuhteissa on sallittu ja jonka poikkipinta-ala on riittävä.

Suosittelava minimipoikkipinta-ala ja max. sallittu pituus:

Johdon poikkipinta-ala	1,5 mm ²	2 mm ²	2,5 mm ²	3,5 mm ²
Verkköjännite 100 V	Ei suositeltava	Ei suositeltava	Ei suositeltava	40 m
Verkköjännite 110-120 V	Ei suositeltava	Ei suositeltava	30 m	
Verkköjännite 220-240 V	30 m		50 m	

Älä käytä jatkojohtoa, jonka poikkipinta-ala on 1,25 mm². Käytä vikavirtasuojakytkimellä PRCD varustetun laitteen yhteydessä vain sellaista jatkojohtoa, jossa on suojajohdin.

2.7 Generaattorin tai muuntajan käyttö

Tämä laite voidaan liittää generaattoriin tai rakennustyömaan muuntajaan, jos seuraavat edellytykset täyttyvät: Antotehon watteina pitää olla vähintään kaksi kertaa niin suuri kuin laitteen tyyppikilpeen merkitty teho, käyttöjännitteen pitää aina olla rajoissa +5 % ja -15 % nimellisjännitteestä ja taajuuden 50 - 60 Hz eikä koskaan yli 65 Hz, ja lisäksi pitää käyttää automaattista jänniteensäädintä, jossa on käynnistysvahvistus.

HUOMAUTUS

Toisen laitteen tai koneen kytkeminen päälle ja pois päältä voi aiheuttaa ali- ja/tai ylijännitepiikin, joka saattaa vahingoittaa laitetta. Jos liität tämän laitteen generaattoriin tai muuntajaan, älä koskaan käytä samaan aikaan muita laitteita tai koneita.

3 Lisävarusteet

Nimi	Tuotenumero, kuvaus
Varkaussuoja TPS (Theft Protection System) mukaan lukien Company Card, Company Remote ja käyttölupa-avain TPS-K	Lisävaruste
Pölynpoistovarustus	315773
Työkaluistukka M16	315774
Työkaluistukka BI+	315791
Istukka BR	315792
Työkaluistukka BT	315793
Hammaskehäistukka	315794
Pikaistukka	315795
Kiinnityspää M27 rasiaupottimille	315805
Kiinnityspää BI+ rasiaupottimille	315806
Kiinnityspää M27 porakruunuille	315807
Kiinnityspää BI+ porakruunuille	315824
Sivukahva	315825
Pölynpoistovarustus ja kiinnityspää BI+ porakruunuille	315826
Pölynpoistovarustus ja kiinnityspää M27 porakruunuille	315827
Pölynpoistovarustus ja kiinnityspää BI+ rasiaupottimille	315828
Pölynpoistovarustus ja kiinnityspää M27 rasiaupottimille	331621
Porauksen aloitusaputyökalu rasiaupotin	281318
Porauksen aloitusaputyökalu rasiaupotin BI+	209661

4 Tekniset tiedot

Oikeudet teknisiin muutoksiin pidätetään!

Laite- ja käyttöinformaatio

Mitat (P x L x K)	446 mm x 120 mm x 170 mm
Paino EPTA-menetellyn 01/2003 mukaisesti	5,1 kg
Suojausluokka	II
Suojausluokka PRCD:n kanssa	I

HUOMAUTUS

Laitteesta on saatavana eri nimellisjännitteellä toimivia malleja. Laitteesi nimellisjännitteen ja nimellisottovirran tiedot löydät tyyppikilvestä.

Nimellisjännite [V]	100	110	110	120	220	230	240
Verkkovirran taajuus [Hz]	50...60	50	60	60	50/60	50...60	50
Nimellistoteho [W]	1450	1600	1570		1600	1600	1600

Nimellisjännite [V]	100	110	110	120	220	230	240
Nimellisvirta [A]	15	15,4	15	14,1	7,7	7,4	7,1
Mittaustyhjäläkäyntikierros-luku 1. vaihe [1/min]	650	650	650	650	650	650	650
Mittaustyhjäläkäyntikierros-luku 2. vaihe [1/min]	1380	1380	1380	1380	1380	1380	1380

HUOMAUTUS

Tässä käyttöohjeessa ilmoitettu tärinäarvo on mitattu normin EN 60745 mukaista mittausmenetelmää käyttäen, ja tätä arvoa voidaan käyttää sähkötyökalujen vertailussa. Se soveltuu myös tärinärasituksen tilapäiseen arviointiin. Ilmoitettu tärinäarvo koskee sähkötyökalun pääasiallisia käyttötarkoituksia. Jos sähkötyökalua kuitenkin käytetään muihin tarkoituksiin, poikkeavia työkaluja tai terä käyttäen tai puutteellisesti huollettuna, tärinäarvo voi poiketa tässä ilmoitetusta. Tämä saattaa merkittävästi lisätä tärinärasitusta koko työskentelyajan aikana. Tärinärasitusta tarkasti arvioitaessa on otettava huomioon myös ne ajat, jolloin laite on kytketty pois päältä tai jolloin laite on päällä, mutta sillä ei tehdä varsinaista työtä. Tämä saattaa merkittävästi vähentää tärinärasitusta koko työskentelyajan aikana. Käyttäjän suojaamiseksi tärinän vaikutukselta ryhdy tarpeellisiin turvatoimenpiteisiin kuten: Sähkötyökalun ja siihen kiinnitettävien työkalujen huolto, käsien lämpimänä pitäminen, työtehtävien organisointi.

fi

Meluarvot (mittausnormina EN 60745-2-1)

Tyypillinen A-painotettu äänenpainetaso	95 dB (A)
Tyypillinen A-painotettu melutaso.	84 dB (A)
Mainitun äänenpainetaso epävarmuus	3 dB (A)

Normin EN 60745-1 mukaiset lisätiedot, kolmen akselin suuntaiset tärinäarvot (tärinävektoreiden summa)

Poraaminen kalkkikivitiileen (kuivaan) PCM-porakruunulla, a_n, DD	12 m/s ²
Poraaminen kalkkikivitiileen (kuivaan) HDM-porakruunulla, a_n, DD	5,8 m/s ²
Epävarmuus (K)	1,5 m/s ²

5 Turvallisuusohjeet

5.1 Sähkötyökaluja koskevat yleiset turvallisuusohjeet

a) VAARA

Lue kaikki turvallisuus- ja käyttöohjeet. Turvallisuus- ja käyttöohjeiden noudattamatta jättäminen saattaa johtaa sähköiskuun, tulipaloon ja/tai vakavaan loukkaantumiseen. **Säilytä kaikki turvallisuus- ja käyttöohjeet huolellisesti vastaisen varalle.** Turvallisuusohjeissa käytetty käsite "sähkötyökalu" tarkoittaa verkkokäyttöisiä sähkötyökaluja (joissa verkkojohto) ja akkukäyttöisiä sähkötyökaluja (joissa ei verkkojohtoa).

5.1.1 Työpaikan turvallisuus

- Pidä työskentelyalue siistinä ja hyvin valaistuna.** Työpaikan epäjärjestys ja valaisemattomat työalueet voivat johtaa tapaturmiin.
- Älä käytä sähkötyökalua räjähdysalttiissa ympäristössä, jossa on palavaa nestettä, kaasua tai pölyä.** Sähkötyökalu synnyttää kipinöitä, jotka saattavat sytyttää pölyn tai höyryt.
- Pidä lapset ja sivulliset loitolla sähkötyökalua käyttäessäsi.** Voit menettää sähkötyökalun hallinnan huomiosi suuntautuessa muualle.

5.1.2 Sähköturvallisuus

- a) **Sähkötyökalun liitäntäpistokkeen pitää sopia pistorasiaan.** Pistoketta ei saa muuttaa millään tavalla. Älä käytä pistorasia-adaptoreita suojamaadotettujen sähkötyökalujen yhteydessä. Alkuperäisessä kunnossa olevat pistokkeet ja sopivat pistorasiat vähentävät sähköiskun vaaraa.
- b) **Vältä koskettamasta sähköä johtaviin pintoihin kuten putkiin, pattereihin, liesiin ja jääkaappeihin.** Sähköiskun vaara kasvaa, jos kehosi on maadoitettu.
- c) **Älä aseta sähkötyökalua alttiiksi sateelle tai kosteudelle.** Veden tunkeutuminen sähkötyökalun sisään lisää sähköiskun vaaraa.
- d) **Älä kannata tai ripusta sähkötyökalua verkkojohdostaan äläkä vedä pistoketta irti pistorasiasta johdosta vetämällä.** Pidä johto loitolla kuumuudesta, öljystä, terävistä reunoista ja liikkuvista osista. Vahingoittuneet tai toisiinsa kietoutuneet johdot lisäävät sähköiskun vaaraa.
- e) **Kun käytät sähkötyökalua ulkona, käytä ainoastaan ulko käyttöön hyväksytyä jatkojohtoa.** Ulko käyttöön soveltuvan jatkojohdon käyttö pienentää sähköiskun vaaraa.
- f) **Jos sähkötyökalua on välttämätöntä käyttää kosteassa ympäristössä, käytä vikavirtasuojakytintä.** Vikavirtasuojakytimen käyttäminen vähentää sähköiskun vaaraa.

5.1.3 Henkilöturvallisuus

- a) **Ole valpas, kiinnitä huomiota työskentelyysi ja noudata tervettä järkeä sähkötyökalua käyttäessäsi.** Älä käytä sähkötyökalua, jos olet väsynyt tai huumeiden, alkoholin tai lääkkeiden vaikutuksen alaisena. Sähkötyökalua käytettäessä hetkellinenkin varomattomuus saattaa aiheuttaa vakavia vammoja.
- b) **Käytä suojavarusteita.** Käytä aina suojalaseja. Suojavarusteet, kuten hengityssuojain, luistamattomat turvajalkineet, kypärä ja kuulosuojaimet pienentävät sähkötyökalun käyttötilanteesta riippuen oikein käytettyinä loukkaantumisriskiä.
- c) **Vältä tahatonta käynnistämistä.** Varmista, että sähkötyökalu on kytketty pois päältä, ennen kuin liität sen verkkovirtaan ja/tai liität siihen akun, otat sen käteesi tai kannat sitä. Jos kannat sähkötyökalua sormi käynnistyskytkimellä tai liität pistokkeen pistorasiaan käynnistyskytkimen ollessa käyntiasennossa, altistat itsesi onnettomuuksille.
- d) **Poista kaikki säätötyökalut ja ruuvitalat, ennen kuin käynnistät sähkötyökalun.** Työkalu tai avain, joka sijaitsee koneen pyörivässä osassa, saattaa aiheuttaa loukkaantumisen.
- e) **Vältä vaikeita työskentelyasentoja.** Varmista aina tukeva seisoma-asento ja tasapaino. Siten voit paremmin hallita sähkötyökalua odottamattomissa tilanteissa.
- f) **Käytä työhäsi soveltuvia vaatteita.** Älä käytä löysiä työvaatteita tai koruja. Pidä hiukset, vaatteet ja käsineet loitolla liikkuvista osista. Väljät vaatteet, korut ja pitkät hiukset voivat takertua liikkuviin osiin.
- g) **Jos pölynimu- ja keräilylaitteita voidaan asentaa, sinun on tarkastettava, että ne on liitetty ja että**

niitä käytetään oikealla tavalla. Pölynpoistovarusituksen käyttö vähentää pölyn aiheuttamia vaaroja.

5.1.4 Sähkötyökalun käyttö ja käsittely

- a) **Älä ylikuormita konetta.** Käytä kyseiseen työhön tarkoitettua sähkötyökalua. Sopivaa sähkötyökalua käyttäen työskentelet paremmin ja varmemmin tehoalueella, jolle sähkötyökalu on tarkoitettu.
- b) **Älä käytä sähkötyökalua, jota ei voi käynnistää ja pysäyttää käynnistyskytkimellä.** Sähkötyökalu, jota ei enää voi käynnistää ja pysäyttää käynnistyskytkimellä, on vaarallinen ja se täytyy korjata.
- c) **Irrota pistoke pistorasiasta ja/tai irrota akku ennen kuin muutat säätöjä, vaihdat terää tai lisävarusteita ja kun lopetat työkalun käyttämisen.** Tämä turvatoimenpide estää sähkötyökalun käynnistymisen vahingossa.
- d) **Säilytä sähkötyökalut poissa lasten ulottuvilta, kun niitä ei käytetä.** Älä anna sellaisten henkilöiden käyttää sähkötyökalua, jotka eivät tunne sitä tai jotka eivät ole lukeneet tätä käyttöohjetta. Sähkötyökalut ovat vaarallisia, jos niitä käyttävät kokemattomat henkilöt.
- e) **Hoida sähkötyökalujasi huolella.** Tarkasta, että liikkuvat osat toimivat moitteettomasti eivätkä ole puristuksissa, ja tarkasta myös, ettei sähkötyökalussa ole murtuneita tai vaurioituneita osia, jotka saattaisivat häitätä sen toimintaa. Korjauta vaurioituneet osat ennen työkalun käyttämistä. Usein loukkaantumisten ja tapaturmien syynä on sähkötyökalujen laiminlyöty huolto.
- f) **Pidä terät terävinä ja puhtaina.** Huolella hoidetut terät, joiden leikkausreunat ovat teräviä, eivät jumiutu herkästi, ja niillä työnteko on kevyempää.
- g) **Käytä sähkötyökalua, lisävarusteita ja tarvikkeita, teriä jne. niiden käyttöohjeiden mukaisesti.** Ota tällöin työolosuhteet ja suoritettava työtehtävä huomioon. Sähkötyökalun käyttö muuhun kuin sille tarkoitettuun käyttöön saattaa johtaa vaarallisiin tilanteisiin.

5.1.5 Huolto

- a) **Anna koulutettujen ammattihenkilöiden korjata sähkötyökalusi ja hyväksy korjauksiin vain alkuperäisiä varaosia.** Siten varmistat, että sähkötyökalu säilyy turvallisena.

5.2 Porakoneita koskevat turvallisuusohjeet

- a) **Käytä koneen mukana toimitettuja lisäkäsikahvoja.** Koneen hallinnan menettäminen saattaa aiheuttaa loukkaantumisia.
- b) **Pidä koneesta kiinni vain sen eristetyistä kahvapinnoista, jos teet työtä, jossa sähkötyökalun terä saattaa osua rakenteen sisällä olevaan virtajohtoon tai koneen verkkojohtoon.** Jos terä osuu virtajohtoon, koneen metalliosiin saattaa johtua virta, jolloin saatat saada sähköiskun

5.3 Muut turvallisuusohjeet

5.3.1 Henkilöturvallisuus

- Kun käytät konetta käsiohjauksessa, pidä aina molemmin käsin kiinni koneen käsikahvoista. Pidä käsikahvat kuivina, puhtaina, öljyttöminä ja rasvattomina.**
- Jos käytät laitetta ilman pölynpoistolaitetta, käytä pölyvässä työssä hengityssuojainta.**
- Pidä työssäsi rentouttavia taukoja, joiden aikana tee sormivoimistelulikkeitä varmistaaksesi sormiesi hyvän verenkierron.**
- Vältä pyörievien osien koskettamista. Kytke laite päälle vasta, kun olet juuri aloittamassa työn. Pyöriävät osat, varsinkin pyöriivät työkalut, saattavat aiheuttaa loukkaantumisen, jos niihin kosketaan.**
- Ohjaa laitteen verkkojohto ja jatkojohto sekä mahdollinen pölynpoistoletku aina laitteesta pois taaksepäin. Siten vältät vaaran kompastua johtoon tai letkuun työnteon aikana.**
- Lapsille on opetettava, ettei tällä laitteella saa leikkiä.**
- Laite ei ole tarkoitettu lasten tai vajaakykyisten henkilöiden käyttöön ilman opastusta ja valvontaa.**
- Tiettyjen materiaalien kuten lyijypitoisen maalin, joidenkin puulajien, mineraalien ja metallien pölyt voivat olla terveydelle vaarallisia. Pölyjen ihokosketus tai hengittäminen saattaa aiheuttaa allergisia reaktioita ja/tai hengitystiesairauksia koneen käyttäjälle tai lähellä oleville henkilöille. Tietyt pölyt kuten tammen tai pyökin pöly on luokiteltu syöpää aiheuttaviksi, erityisesti jos niihin liittyy puunkäsittelyn lisäaineita (kromaatti, puunsuoja-aineet). Asbestia sisältäviä materiaaleja saavat työstää vain erikoiskoulutetut henkilöt. Käytä mahdollisuuksien mukaan hengityssuojainta. Jotta pölynpoisto on mahdollisimman tehokas, käytä soveltuvaa, Hiltin suosittelemaa liikuteltavaa pölynpoistovarustusta, joka on tarkoitettu puu- ja/tai mineraaliainespölyille ja tälle sähkötyökalulle. Varmista työpisteesi hyvä ilmanvaihto. Suositamme suodatusluokan P2 hengityssuojaimen käyttämistä. Noudata maakohtaisia eri materiaalien työstöstä annettuja ohjeita ja määryksiä.**

5.3.2 Sähkötyökalujen käyttö ja hoito

- Kiinnitä irrallinen työkappale. Käytä työkappaleen kiinnittämiseen sopivia kiinnittimiä tai ruuvipenkkiä. Näin varmistat, että työkappale pysyy turvallisemmin paikallaan kuin käsin pidettäessä, ja lisäksi molemmat kätesi ovat vapaat laitteen käyttämiseen.**
- Varmista, että terä sopii laitteen istukkaan ja että terä on kunnolla kiinni istukassa.**
- Jos virransaanti katkeaa, katkaise laitteesta virta ja irrota pistoke verkkopistorasiasta. Tämä estää laitetta käynnistymästä vahingossa, kun virransaanti palautuu.**

5.3.3 Sähköturvallisuus

- Tarkasta ennen työn aloittamista esimerkiksi metallinilmaisimella, onko työskentelyalueella rakenteiden sisälle asennettuja sähkö-, kaasu- tai vesijohtoja. Laitteen ulkopinnan metalliosiin saattaa johtua jännite, jos vaurioitait vahingossa virtajohtoa. Tästä aiheutuu vakava sähköiskun vaara.**
- Jos toimitussisällössä on mukana vikavirtasuojakytkin PRCD, älä koskaan käytä laitetta ilman tätä vikavirtasuojakytkintä PRCD (GB-mallia koskaan ilman erotusmuuntajaa). Tarkasta PRCD aina ennen käyttöä.**
- Tarkasta liitäntäjohtojen kunto säännöllisesti, ja jos havaitset vaurioita, vaihdata liitäntäjohto erikoiskorjaamossa. Jos sähkötyökalun liitäntäjohto on vaurioitunut, sen tilalle on vaihdettava erityisesti tähän käyttöön tarkoitettu ja hyväksytty johto; näitä johtoja on saatavana huolto-organisaation kautta. Tarkasta mahdollisen jatkojohtojen kunto säännöllisesti, ja vaihda johto, jos havaitset vaurioita. Jos liitäntäjohto tai jatkojohto vaurioituu työskentelyn aikana, älä kosketa johtoa. Irrota pistoke verkkopistorasiasta. Liitäntäjohtot ja jatkojohtot aiheuttavat sähköiskun vaaran, jos ne ovat vaurioituneet.**
- Jos käytät sähkötyökalua ulkona, varmista, että laite on liitetty verkkovirtaan vikavirtasuojakytkimellä (RDC), jonka laukaisuvirta on enintään 30 mA. Vikavirtasuojakytkimen käyttö vähentää sähköiskun vaaraa.**
- Suosittamme, että käytät vikavirtasuojakytkintä (RCD), jonka laukaisuvirta on enintään 30 mA.**

5.3.4 Työpaikka

- Varmista työpisteesi hyvä ilmanvaihto. Työpisteen huono ilmanvaihto saattaa pölykuormituksen vuoksi aiheuttaa terveysriskin.**
- Jos teet pölyvää työtä, liitä aina pölynpoistovarustus. Laitteella ei saa porata terveydelle haitallisia materiaaleja (esimerkiksi asbestia).**

5.3.5 Henkilökohtaiset suojavarusteet



Laitteen käyttämisen aikana käyttäjän ja välittömässä läheisyydessä olevien henkilöiden on käytettävä suojalaseja, suojakypärää, kuulosuojaimia ja suojakäsineitä sekä pölyvää työtä tehtäessä kevyttä hengityssuojainta.

6 Käyttöönotto



VAROITUS

Verkköjännitteen pitää olla sama kuin tyyppikilpeen on merkitty. Varmista, ettei laitetta ole liitetty verkköjännitteeseen.

VAKAVA VAARA

Kun olet poraamassa reikää seinän läpi, tutki seinän takana oleva alue, koska materiaalia tai poraussydän saattaa pudota toiselle puolelle. Kun olet poraamassa reikää lattian läpi tai katon läpi ylhäältäpäin, tutki alhaalla oleva alue, koska materiaalia tai poraussydän saattaa pudota alas.

VAROITUS

Kuljettamisen aikana laite ei milloinkaan saa olla verkkovirtaan liitettynä. Irrota pistoke verkkopistorasiasta.

6.1 Sivukahvan säätäminen paikalleen 2

VAROITUS

Irrota pistoke verkkopistorasiasta.

1. Avaa sivukahvan lukitus kiertämällä sivukahvaa.
2. Käännä sivukahva haluamaasi asentoon.
3. Kiristä sivukahva kunnolla kiinni kiertämällä kahvasta.

6.2 Timanttikorakruunun asennus 3



VAKAVA VAARA

Älä kiinnitä vaurioituneita työkaluteriä. Aina ennen käyttöä tarkasta työkaluterän mahdolliset lohkeamat, murtumat ja kuluneisuus. Älä käytä vaurioituneita työkaluja. Työkappaleesta tai työkaluterästä sinkoavat kappaleet saattavat aiheuttaa vammoja varsinaisen työpisteesi alueen ulkopuolellakin.

HUOMAUTUS

Timanttikorakruunu on vaihdettava, jos sen leikkaus- tai porausteho selvästi on heikentynyt. Yleensä näin on, kun timanttisegmenttien korkeus on kulunut alle 2 mm:iin.

VAROITUS

Loukkaantumisvaaran välttämiseksi käytä vain alkuperäisiä Hilti-porakruunuja ja laitteen DD 110-D lisävarusteita. Laitteissa, joissa on BI+ työkaluistukka, saa käyttää vain alkuperäisiä Hilti-porakruunuja.

VAROITUS

Poraamisen tai teroittamisen aikana terä kuumentuu. Saatat polttaa kätesi. Käytä suojakäsineitä, kun vaihdat työkalua.

VAROITUS

Irrota pistoke verkkopistorasiasta.

VAROITUS

Varmista, että poraamisen aloitusaputyökalu on asetettu porakruunuun kunnolla.

VAROITUS

Jos käytät poraamisen aloitusaputyökalua, älä koskaan anna laitteen käydä tyhjäkäyntiä, ellei laite ole kosketuksissa alusmateriaaliin.

HUOMAUTUS

Istukkaa BR, BT, M16, M27 käytetään sopivan kokoisella kiintoavaimella.

Työkaluistukan, adapterin ja työkalun pitää olla puhtaita.

1. Avaa työkaluistukka (BI+) kiertämällä se leuat auki -symbolin suuntaan.
2. Aseta timanttikorakruunu edestäpäin laitteen istukan (BI+) hammastukseen ja kierrä, kunnes se lukittuu paikalleen.
3. Sulje työkaluistukka (BI+) kiertämällä se leuat kiinni -symbolin suuntaan.
4. Varmista timanttikorakruunua edestakaisin vetämällä, että porakruunu on kunnolla kiinni istukassa.

6.3 Pölynpoistovarustuksen (lisävaruste) kiinnittäminen

6.3.1 Rasiaupotin 4

1. Työnnä poraamisen aloitusaputyökalu kärki eteenpäin vasteeseen saakka rasiaupottimen ja pölynpoistovarustuksen kiinnityspäähän.
2. Kiinnitä kiinnityspää työkaluistukkaan timanttikorakruunun kiinnittämisen mukaisesti.
3. Työnnä lukitusrenkas ja pölynpoistovarustus takaisin laitteen suuntaan.
4. Kiinnitä rasiaupotin kiinnityspäähän.
5. Työnnä pölynpoistovarustusta työkalun suuntaan, kunnes pölynpoisto vastaa porakruunuun ja kiinnitä tähän asentoon työntämällä lukitusrenkas rasiaupottimen suuntaan.
6. Tarkasta, että pölynpoistovarustus voi vapaasti kiertää laitteeseen nähden.

6.3.2 Porakruunu

1. Kiinnitä porakruunun ja pölynpoistovarustuksen kiinnityspää työkaluistukkaan timanttikorakruunun kiinnittämisen mukaisesti.

2. Kiinnitä porakruunu kiinnityspäähän.

6.4 Kierrosluvun valinta 5

VAROITUS

Älä vaihda vaihdetta käytön aikana. Odota kunnes kara on pysähtynyt.

Välitse kytkimen asento porattavan reiän halkaisijan perusteella. Kierrä kytkin haluamaasi asentoon (ks. kappale Kuvaus) samalla kun kierrät kädellä porakruunua.

6.5 Timanttikorakruunun irrotus



VAROITUS

Poraamisen tai teroittamisen aikana terä kuumentuu. Saatat polttaa kätesi. **Käytä suojakäsineitä, kun vaihdat työkalua.**

VAROITUS

Irrota pistoke verkkopistorasiasta.

HUOMAUTUS

Jos laitteessa on istukka BR, BT, M27 tai M16, lukitse istukkaa ja irrota sitten porakruunu sopivalla kiintoavaimella.

1. Avaa työkaluistukka (BI+) kiertämällä se leuat auki -symbolin suuntaan.
2. Vedä istukan käyttöholkkia nuolen suuntaisesti laitteeseen päin. Siten avaat porakruunun lukituksen.
3. Irrota porakruunu.

7 Käyttö



VAARA

Varo, etteivät verkkojohto ja letkut pääse osumaan laitteen pyöriiviin osiin.

VAKAVA VAARA

Kun käytät raollista porakruunua, varmista, ettet koske sormilla raon lähelle.

VAROITUS

Laitte ja poraaminen aiheuttavat melua. **Käytä kuulosuojaimia.** Liian voimakas melu voi vaurioittaa kuuloasi.

VAROITUS

Porattaessa saattaa syntyä vaarallisia sirpaleita. Sirpaleet saattavat aiheuttaa vammoja ja vahingoittaa silmiä. **Käytä suojalaseja ja suojakypärää.**

VAARA

Laitteen vääntömomentti on laitteen käyttötarkoituksia vastaavasti suuri. **Käytä sivukahvaa ja pidä laitteesta aina molemmin käsin kiinni.** Käyttäjän pitää olla valmistautunut työkalun äkilliseen jumittumiseen.

VAKAVA VAARA

Käyttäjän pitää olla valmistautunut työkalun äkilliseen jumittumiseen ja seisoa aina molemmin jaloin pitävä- ja tukevapintaisella alustalla.

7.1 TPS-varkaussuoja (lisävaruste)

HUOMAUTUS

Laitteeseen on lisävarusteena saatavana varkaussuoja. Jos laitteessa on tämä toiminto, laitteelle voi antaa käyttöluvan vain laitteeseen kuuluvalla käyttöluva-avaimella.

7.1.1 Käyttöluvan antaminen laitteelle

1. Varmista, että laite on liitetty verkkovirtaan. Varkaussuojan keltainen merkkivalo vilkkuu. Laite on valmis ottamaan vastaan käyttöluva-avaimen signaalin.
2. Aseta käyttöluva-avain tai TPS-kellon rannekkeen solki lukkosymbolin päälle. Heti kun varkaussuojan keltainen merkkivalo sammuu, laite on saanut käyttöluvan.

HUOMAUTUS Jos virransaanti esimerkiksi työskentelypaikan vaihtamisen tai verkkojännitteen katkeamisen vuoksi katkeaa, laite pysyy toimintavalmiudessa noin 20 minuutin ajan. Jos katkos on tätä pitempi, laitteelle pitää antaa käyttöluva uudelleen käyttöluva-avaimella.

7.1.2 Laitteen varkaussuojatoiminnon aktivoiminen

HUOMAUTUS

Lisää yksityiskohtaista tietoa varkaussuojan aktivoimisesta ja käyttämisestä löydät käyttöohjeesta "Varkaussuoja".

7.2 Vikavirtasuojakytkimen PRCD (jos olemassa) kytkeminen päälle ja tarkastus

1. Liitä laitteen verkkopistoke maadotettuun pistorasiaan.
2. Paina vikavirtasuojakytkimen PRCD Reset-painiketta. Näytön pitää ilmestyä.
3. Paina vikavirtasuojakytkimen PRCD painiketta "TEST". Näytön pitää hävitä.
4. **VAARA Jos merkivalo ei sammu, laitteen käyttämistä ei saa jatkaa.** Anna koulutettujen ammattihenkilöiden korjata laitteesi alkuperäisiä varaosia käyttäen.
Paina vikavirtasuojakytkimen PRCD Reset-painiketta. Näytön pitää ilmestyä.

7.3 Työskentely pölynpoistoa käyttäen

VAROITUS

Kun käytät pölynpoistovarustusta, ohjaa pölynpoistotietoa aina taaksepäin laitteesta pois, jotta letku ei millinkaan pääse osumaan porakruunuun.

VAROITUS

Imuroidun materiaalin hävittämishjeet löydät pölynimurin käyttöohjeesta.

HUOMAUTUS

Staattisen sähkön iskujen välttämiseksi käytä aina anti-staattivarusteista imuria.

7.3.1 Pölynimuri jossa verkkopistorasia sähkötyökalua varten

VAROITUS

Älä käytä raollista porakruunuja, jos käytät pölynpoistoa.

HUOMAUTUS

Lisätoimet on tehtävä käytettäessä kaksiosaista porauksen aloitusaputyökalua.

1. Säädä sivukahva haluamaasi asentoon ja lukitse se.
2. Kiinnitä porauksen aloitusaputyökalu (lisävaruste).
3. Liitä laitteen pistoke imurissa olevaan verkkopistorasiaan.
4. Liitä imurin pistoke verkkopistorasiaan ja paina PRCD:n (jos olemassa) Reset-painiketta.
5. Aseta laite porattavan reiän keskelle.
6. Paina sähkötyökalun käyttökytkintä.

HUOMAUTUS Pölynimuri käynnistyy viiveellä sähkötyökalun käynnistymisen jälkeen. Imuri sammuu viiveellä sähkötyökalun pois päältä kytkemisen jälkeen.

7. Paina laitetta poraamisen alkuvaiheessa vain kevyesti kunnes porakruunu on keskittynyt, ja vasta sitten lisää painamisvoimaa. Tee 3 - 5 mm:iä syvä ohjausleikkaus.
8. Pysäytä laite vapauttamalla käyttökytkin ja odota kunnes porakruunu on täysin pysähtynyt.
9. Irrota poraamisen aloitusaputyökalu (lisävaruste) porakruunusta.
10. Aseta porakruunu ohjausleikkaukseen, paina käyttökytkintä ja jatka poraamista.

7.3.2 Pölynimuri jossa ei verkkopistorasia sähkötyökalua varten

VAROITUS

Älä käytä raollista porakruunuja, jos käytät pölynpoistoa.

HUOMAUTUS

Lisätoimet on tehtävä käytettäessä kaksiosaista porauksen aloitusaputyökalua.

1. Säädä sivukahva haluamaasi asentoon ja lukitse se.
2. Kiinnitä porauksen aloitusaputyökalu (lisävaruste).
3. Liitä imurin pistoke verkkopistorasiaan ja saata imuri käyttövalmiiksi.
4. Liitä laitteen pistoke pistorasiaan ja paina PRCD:n (jos olemassa) Reset-painiketta.
5. Paina sähkötyökalun käyttökytkintä.
6. Paina laitetta poraamisen alkuvaiheessa vain kevyesti kunnes porakruunu on keskittynyt, ja vasta sitten lisää painamisvoimaa. Tee 3 - 5 mm:iä syvä ohjausleikkaus.
7. Pysäytä laite vapauttamalla käyttökytkin ja odota kunnes porakruunu on täysin pysähtynyt.
8. Irrota poraamisen aloitusaputyökalu (lisävaruste) porakruunusta.
9. Aseta porakruunu ohjausleikkaukseen, paina käyttökytkintä ja jatka poraamista.
10. Anna imurin käydä vielä muutama sekunti laitteen pois päältä kytkemisen jälkeen, jotta kaikki materiaali imuroidaan imuriin.

7.4 Työskentely ilman pölynpoistoa



HUOMAUTUS

Käytä raollista porakruunuja, jos työskentelet ilman pölynpoistoa.

HUOMAUTUS

Irrota pölynpoistovarustus tai estä sen pyöriminen.

HUOMAUTUS

Lisätoimet on tehtävä käytettäessä kaksiosaista porauksen aloitusaputyökalua.

VAROITUS

Irrota pistoke verkkopistorasiasta ennen poraussydämen poistamista.

VAKAVA VAARA

Käytä kevyttä hengityssuojainta.

HUOMAUTUS

Pöly leviää kaikkiin suuntiin. Poraaminen ilman pölynpoistoa, etenkin pään yläpuolelle, on erittäin epämiellyttävää, ja työn tehokkuus jää kauas optimaalisesta. Siksi emme suosittele poraamista pään yläpuolelle ilman pölynpoistovarustusta. Suositamme, että kuivaporausten yhteydessä käytät aina pölynpoistoa sopivalla imurilla.

1. Säädä sivukahva haluamaasi asentoon ja lukitse se.
2. Kiinnitä porauksen aloitusaputyökalu (lisävaruste).
3. Liitä pistoke verkkopistorasiaan ja paina PRCD:n (jos olemassa) Reset-painiketta.
4. Aseta laite porattavan reiän keskelle.
5. Paina sähkötyökalun käyttökytkintä.
6. Paina laitetta poraamisen alkuvaiheessa vain kevyesti kunnes porakruunu on keskittynyt, ja vasta sitten lisää painamisvoimaa. Tee 3 - 5 mm:iä syvä ohjausleikkkaus.
7. Pysäytä laite vapauttamalla käyttökytkin ja odota kunnes porakruunu on täysin pysähtynyt.
8. Irrota poraamisen aloitusaputyökalu (lisävaruste) porakruunusta.
9. Aseta porakruunu ohjausleikkaukseen, paina käyttökytkintä ja jatka poraamista.

7.5 Laitteen kytkeminen pois päältä ja varusteiden irrottaminen



VAROITUS

Terää vaihtaessasi käytä suojakäsineitä, koska käytön myötä terä kuumenee.

8 Huolto ja kunnossapito

VAROITUS

Irrota pistoke verkkopistorasiasta.

8.1 Työkalujen ja metalliosien hoito

Poista työkaluun tarttunut liika ja suojaa työkalun ja istukan pinnat korroosiolta öljytyllä liinalla silloin tällöin pyyhkien.

Pidä kiinnityspää aina puhtaana ja kevyesti rasvattuna.

8.2 Laitteen hoito

VAROITUS

Pidä laite ja etenkin sen kahvapinnat kuivina, puhtaina, öljyttöminä ja rasvattomina. Älä käytä silikonia sisältäviä hoitoaineita.

VAROITUS

Pöly ja porausmateriaali on täyttynyt porakruunuun. Varmista, että seisot tukevalla alustalla; ota huomioon porausmateriaalin paino.

HUOMAUTUS

Kuljeta laite mieluummin aina Hilti-laukussa.

1. Vapauta käyttökytkin ja vedä porakruunu hitaasti pois porausreistä.
2. Sammuta imuri, jos käytit imuria.
3. Varmista, ettei laite enää ole verkkovirtaan liitettyä.
4. Tarvittaessa poista porausrydän.
5. Irrota porakruunu.

7.6 Toimenpiteet porakruunuun jumittutta

Jos porakruunu jumittuu, kitkakytkin avautuu ja pysyy auki, kunnes käyttäjä kytkee laitteen pois päältä. Porakruunuun voi irrottaa seuraavilla toimenpiteillä:

7.6.1 Porakruunuun irrotus kiintoavaimella

1. Irrota pistoke verkkopistorasiasta.
2. Tartu porakruunuun sopivalla kiintoavaimella läheltä kiinnityspäätä ja irrota porakruunu kiertämällä.
3. Liitä pistoke verkkopistorasiaan.
4. Jatka poraamista.

7.7 Kuljettaminen

VAROITUS

Varmista, ettei laitetta ole liitetty verkkojännitteeseen.

HUOMAUTUS

Varastoi ja kuljeta laite mieluiten laukussa.

Älä koskaan käytä laitetta, jos sen jäähdytysilmaraat ovat tukkeutuneet! Puhdista jäähdytysilmaraat varovasti kuivalla harjalla. Varo, ettei laitteen sisään pääse tunkeutumaan vieraita esineitä. Puhdista laitteen ulkopinnat kostealla liinalla säännöllisin välein. Älä käytä puhdistamiseen vesisuihkua, paine- tai höyrupesuria äläkä juoksevaa vettä! Muutoin laitteen sähköturvallisuus heikentyy.

8.3 Kunnossapito

VAARA

Sähköosien korjaustyöt saa tehdä ainoastaan ammattitaitoinen erikoiskorjaamo.

Tarkasta säännöllisin välein laitteen ulkoisten osien sekä kaikkien käyttö- ja hallintalaitteiden kunto ja toiminta. Älä käytä laitetta, jos sen osissa on vaurioita tai jos käyttö- ja hallintalaitteet eivät toimi moitteettomasti. Korjauta laite Hilti-huollossa.

8.4 Hiiliharjojen vaihto **7**

HUOMAUTUS

Hiiliharjojen vaihtamistarpeesta kertoo merkkivalo, jossa on kiintoavainsymboli.

VAKAVA VAARA

Laitetta saa huoltaa tai korjata vain valtuutettu, koulutettu henkilö! Näiden henkilöiden pitää olla hyvin perillä laitteen käyttöön liittyvistä vaaroista. Jos seuraavia ohjeita ei noudateta, seurauksena saattaa olla vaarallinen sähköisku.

1. Irrota laite verkkovirrasta.

2. Avaa moottorin vasemmalla ja oikealla puolella olevat hiiliharjojen suojukset.
3. Katso kuinka hiiliharjat ovat paikoillaan ja kuinka liittimet on vedetty. Irrota käytetyt hiiliharjat laitteesta.
4. Laita uudet hiiliharjat paikoilleen samalla tavalla kuin vanhatkin olivat (varaosanumero: Hiiliharjat AO ML 100-127 V: 39577; Hiiliharjat AO ML 220-240 V: 39576).

HUOMAUTUS Paikalleen asettaessasi varo, ettei kuittausliittimen eristys vaurioidu.

5. Kiinnitä hiiliharjojen suojukset takaisin paikoilleen moottorin vasemmalle ja oikealle puolelle.

HUOMAUTUS Merkkivalo sammuu hiiliharjojen vaihtamisen jälkeen, kun laite jälleen liitetään verkkovirtaan.

8.5 Tarkastus huolto- ja kunnossapitotöiden jälkeen

Laitteen huolto- ja kunnossapitotöiden jälkeen on tarkastettava, että kaikki suojavarusteet on asennettu oikein ja että ne toimivat moitteettomasti.

9 Vianmääritys

Vika	Mahdollinen syy	Korjaus
Laitte ei käynnisty	Katkos verkkojännitteen saannissa	Liitä toinen sähkötyökalu ja tarkasta toiminta; Tarkasta pistokkeet, virtajohto, PRCD, verkkovirran tulo
	Hiiliharjat vaurioituneet	Hiiliharjojen vaihto Ks. kappale: 8.4 Hiiliharjojen vaihto 7
	Käyttökytkin rikki	Korjauta laite Hilti-huollossa
	Katkos virransaannissa	Tarkastuta verkkojohto ja tarvittaessa pölynimuri, jatkojohto, verkkopistoke sekä PRCD ammattitaitoisessa erikoiskorjaamossa ja vaihdata vialliset osat
	Elektroniikka rikki	Korjauta laite Hilti-huollossa
Laitte ei käynnisty ja huollon merkkivalo palaa	Hiiliharjat kuluneet	Hiiliharjojen vaihto Ks. kappale: 8.4 Hiiliharjojen vaihto 7
Laitte ei käynnisty, hiiliharjat on vaihdettu, huollon merkkivalo palaa	Vaurio laitteessa.	Korjauta laite Hilti-huollossa.
Huollon merkkivalo palaa	Hiiliharjat kuluneet; käyttöaikaa jäljellä vielä muutama tunti.	Hiiliharjat on vaihdettava. Ks. kappale: 8.4 Hiiliharjojen vaihto 7
Huollon merkkivalo vilkkuu	Kierroslukuvika	Korjauta laite Hilti-huollossa.
Laitte ei käynnisty, varkaussuojan merkkivalo vilkkuu keltaisena.	Laitetta ei ole vapautettu käyttöön (laite jossa lisävarusteena varkaussuoja).	Anna laitteelle käyttöluupa-avaimella käyttöluupa.
Moottori pyörii. Timanttikorakruunu ei pyöri	Vaihteen valintakytkin ei lukittuneena	Käytä vaihteen valintakytkintä kunnes lukittuva asento tuntuu
	Vaihteisto rikki	Korjauta laite Hilti-huollossa
Porausnopeus laskee	Timanttikorakruunu kiillottunut	Teroita timanttikorakruunu teroituslevyllä
	Timanttikorakruunu kiillottunut	Käytät vääränlaista timanttikorakruunua, kysy neuvoja Hiltiltä

Vika	Mahdollinen syy	Korjaus
Porausnopeus laskee	Poraussydän takertelee timanttiorakruunussa	Poraussydämen poisto
	Suurin porausryvyys saavutettu	Poista porausydan ja käytä porakruunun jatketta
	Timanttiorakruunu rikki	Tarkasta timanttiorakruunun vauriot ja tarvittaessa vaihda
	Kitkakytkin laukeaa liian aikaisin tai luistaa	Korjauta laite Hilti-huollossa
	Pöly estää porauksen edistymisen	Käytä soveltuvaa pölynpoistovarus-tusta
Timanttiorakruunua ei saa kiinnitettyä työkaluistukkaan	Kiinnityspää/työkaluistukka likaantunut tai vaurioitunut	Puhdista kiinnityspää/työkaluistukka tai tarvittaessa vaihda
Porausjärjestelmässä on liian suuri väly	Porakruunu ei ole riittävän hyvin kiinnistukassa	Kiristä kunnolla kiinni
	Kiinnityspää rikki	Tarkasta kiinnityspää ja tarvittaessa vaihda

fi

10 Hävittäminen



Hilti-laitteet ja koneet on pääosin valmistettu kierrätyskelpoisista materiaaleista. Kierrätyksen edellytys on materiaalien asianmukainen erottelu. Hilti (Suomi) Oy ottaa vanhat koneet ja laitteet kierrätettäviksi. Lisätietoja saat Hilti-asiakaspalvelusta tai Hilti-myyntiedustajalta.



Koskee vain EU-maita

Älä hävitä sähkötyökaluja tavallisen sekajätteen mukana!

Sähkö- ja elektroniikkalaiteromua koskevan EU-direktiivin ja sen maakohtaisten sovellusten mukaisesti käytetyt sähkötyökalut on toimitettava erilliskeräyspisteeseen ja ohjattava ympäristöystävälliseen kierrätykseen.

11 Laitteen valmistajan myöntämä takuu

Jos sinulla on takuuehtoihin liittyviä kysymyksiä, ota yhteys paikalliseen Hilti-edustajaan.

12 EU-vaatimustenmukaisuusvakuutus (originaali)

Nimi:	Timanttiporauslaite
Tyypimerkintä:	DD 110-D
Suunnitteluvuosi:	2007

Vakuutamme, että tämä tuote täyttää seuraavien direktiivien ja normien vaatimukset: 19. huhtikuuta 2016 saakka: 2004/108/EY, alkaen 20. huhtikuuta 2016: 2014/30/EU, 2006/42/EY, 2011/65/EY, EN 60745-1, EN 60745-2-1, EN ISO 12100.

**Hilti Corporation, Feldkircherstrasse 100,
FL-9494 Schaan**



Paolo Luccini
Head of BA Quality and Process Management
Business Area Electric Tools & Accessories
06/2015



Johannes Wilfried Huber
Senior Vice President
Business Unit Diamond

06/2015

Tekninen dokumentaatio:

Hilti Entwicklungsgesellschaft mbH
Zulassung Elektrowerkzeuge
Hiltistrasse 6
86916 Kaufering
Deutschland

Sistema de perfuração diamantado DD 110-D

Antes de utilizar a ferramenta, por favor leia atentamente o manual de instruções.

Conserve o manual de instruções sempre junto da ferramenta.

Entregue a ferramenta a outras pessoas apenas juntamente com o manual de instruções.

Índice	Página
1 Informações gerais	99
2 Descrição	100
3 Acessórios	101
4 Características técnicas	102
5 Normas de segurança	103
6 Antes de iniciar a utilização	106
7 Utilização	107
8 Conservação e manutenção	110
9 Avarias possíveis	110
10 Reciclagem	112
11 Garantia do fabricante - Ferramentas	112
12 Declaração de conformidade CE (Original)	112

Estes números referem-se a figuras. Pode encontrar as figuras no início do manual de instruções. Neste manual de instruções, a palavra «ferramenta» refere-se sempre ao sistema de perfuração diamantada DD 110-D.

Componentes, comandos operativos e elementos de indicação

Sistema de perfuração diamantada DD 110-D

- ① Punho auxiliar
- ② Selector de velocidades
- ③ Engrenagem
- ④ Motor
- ⑤ Tampa das escovas de carvão
- ⑥ Indicador de manutenção
- ⑦ Interruptor on/off
- ⑧ Punho
- ⑨ Cabo de rede
- ⑩ Mandril
- ⑪ Equipamento opcional: TPS

pt

1 Informações gerais

1.1 Indicações de perigo e seu significado

PERIGO

Indica perigo iminente que pode originar acidentes pessoais graves ou até mesmo fatais.

AVISO

Indica uma situação potencialmente perigosa que pode causar graves ferimentos pessoais, até mesmo fatais.

CUIDADO

Indica uma situação potencialmente perigosa que pode originar ferimentos ligeiros ou danos na ferramenta ou noutros materiais.

NOTA

Indica instruções ou outras informações úteis.

1.2 Significado dos pictogramas e outras notas

Sinais de aviso



Perigo geral



Perigo: electricidade



Perigo: superfície quente

Sinais de obrigação



Use óculos de proteção



Use capacete de segurança



Use proteção auricular



Use luvas de proteção



Use máscara antipoeiras



Calce botas de segurança



Leia o manual de instruções antes de utilizar o aparelho.

Símbolos

/min

Rotações por minuto



Símbolo de bloqueio (cadeado)



Equipado com sistema de protecção anti-roubo



Indicador de manutenção



Recicle os materiais

Localização da informação na ferramenta

A designação e o número de série da ferramenta constam da placa de características. Anote estes dados no seu manual de instruções e faça referência a estas indicações sempre que necessitar de qualquer peça/acessório para a ferramenta.

Tipo:

Número de série:

pt

2 Descrição

2.1 Utilização correcta

O DD 110-D é um perfurador diamantado eléctrico de utilização manual concebido para a perfuração a seco em alvenaria com coroas diamantadas de perfuração e coroas diamantadas de abrir tomadas.

A ferramenta não é apropriada para perfurar betão ou betão armado.

Não é permitido perfurar materiais que produzem pós condutores de corrente e/ou inflamáveis (por exemplo, madeira, magnésio, etc.).

Utilize sempre que possível um removedor de pó móvel adequado à respectiva aplicação, por exemplo o aspirador Hilti VCU 40, VCU 40-M ou VCD 50.

Para evitar ferimentos, use apenas coroas de perfuração e acessórios DD 110-D originais Hilti.

Observe igualmente as instruções de utilização e segurança dos acessórios.

Leia as instruções contidas neste manual sobre utilização, conservação e manutenção da ferramenta.

A ferramenta foi concebida para uso profissional e só deve ser utilizada, feita a sua manutenção e reparada por pessoal autorizado e devidamente credenciado. Estas pessoas deverão ser informadas sobre os potenciais perigos que a ferramenta representa. A ferramenta e seu equipamento auxiliar podem representar perigo se usados incorrectamente por pessoas não qualificadas ou se usados para fins diferentes daqueles para os quais foram concebidos.

A ferramenta é apropriada para trabalhar em obra, em oficina, em trabalhos de renovação, reconstrução e construção de raiz.

Certifique-se de que a corrente eléctrica à qual a ferramenta é ligada está de acordo com a mencionada na placa de características.

Materiais nocivos para a saúde (p.ex., amianto) não podem ser trabalhados.

Não é permitida a modificação ou manipulação da ferramenta.

2.2 Aplicação com diferentes equipamentos

Tipos de perfuração para DD 110-D	Coroas de perfuração ϕ	Direcção da perfuração	Material base
Furos de atravessamento	16...162 mm ($\frac{5}{8}$ "...6 $\frac{1}{2}$ ")	Todas as direcções	Alvenaria (por exemplo, bloco de arenito calcário, tijolo, etc.)
Furos cegos / abrir caixas para tomadas	16...162 mm ($\frac{5}{8}$ "...6 $\frac{1}{2}$ ")	Todas as direcções	Alvenaria (por exemplo, bloco de arenito calcário, tijolo, etc.)

2.3 Tabela das velocidades e dos diâmetros de coroa correspondentes

Velocidade	Coroas de perfuração PCM	Coroas de perfuração HDM	Velocidade de rotação em vazio
1	42...162 mm (1 $\frac{5}{8}$ " ... 6 $\frac{1}{2}$ ")	102...162 mm (4" ... 6 $\frac{1}{2}$ ")	650/min

Velocidade	Coroas de perfuração PCM	Coroas de perfuração HDM	Velocidade de rotação em vazio
2		16...87 mm (5/8" ... 3 1/2")	1 380/min

2.4 Sistema de protecção anti-roubo TPS (opcional)

A ferramenta está preparada para a instalação da função "Protecção anti-roubo TPS" como opção. Se a ferramenta estiver equipada com esta função, só pode ser activada e preparada para ser utilizada através da respectiva chave de activação.

2.5 Incluído no fornecimento do equipamento padrão:

- 1 Ferramenta com punho auxiliar e mandril
- 1 Manual de instruções
- 1 Mala ou caixa de cartão Hilti

2.6 Utilização de extensões de cabo

Utilize apenas extensões de cabo aprovadas para o tipo de aplicação em causa e com a secção adequada.

Secções de cabo mínimas e comprimentos máximos recomendados:

Secção do cabo	1,5 mm ²	2 mm ²	2,5 mm ²	3,5 mm ²
Tensão de rede 100 V	não recomendado	não recomendado	não recomendado	40 m
Tensão de rede 110-120 V	não recomendado	não recomendado	30 m	
Tensão de rede 220-240 V	30 m		50 m	

Não utilize extensões de cabo com secções de 1,25 mm². Nas ferramentas com PRCD, utilize apenas extensões de cabo com condutor de protecção.

2.7 Utilização de um gerador ou transformador

Esta ferramenta pode ser alimentada por um gerador ou transformador se as seguintes condições forem reunidas: potência de saída, em watt, no mínimo o dobro da potência indicada na placa de características da ferramenta, a tensão em carga deverá estar entre os +5 % e os -15 % da tensão nominal e a frequência deverá estar entre 50 e 60 Hz; e nunca superior a 65 Hz. Deve utilizar-se um regulador automático de tensão com arrancador.

NOTA

Ligar outras ferramentas ou dispositivos pode provocar variações na voltagem (falha ou sobrecarga), causando danos na ferramenta. O gerador ou transformador nunca deve ser usado para alimentar outros equipamentos em simultâneo.

3 Acessórios

Designação	Código do artigo, descrição
Sistema de protecção anti-roubo TPS (Theft Protection System) com cartão de identificação da empresa, controlo remoto e chave de activação TPS-K	opcional
Sistema de remoção de pó	315773
Mandril M16	315774
Mandril BI+	315791
Mandril BR	315792
Mandril BT	315793
Mandril de coroa dentada	315794
Mandril de aperto rápido	315795
Encabadouro M27 para coroas de abrir tomadas	315805

Designação	Código do artigo, descrição
Encabadouro BI+ para coroas de abrir tomadas	315806
Encabadouro M27 para coroas de perfuração	315807
Encabadouro BI+ para coroas de perfuração	315824
Punho auxiliar	315825
Sistema de remoção de pó com encabadouro BI+ para coroas de perfuração	315826
Sistema de remoção de pó com encabadouro M27 para coroas de perfuração	315827
Sistema de remoção de pó com encabadouro BI+ para coroas de abrir tomadas	315828
Sistema de remoção de pó com encabadouro M27 para coroas de abrir tomadas	331621
Guias de perfuração para coroas de abrir tomadas	281318
Guias de perfuração para coroas de abrir tomadas BI+	209661

4 Características técnicas

Reservamo-nos o direito de proceder a alterações técnicas!

Outras informações sobre a ferramenta

Dimensões (C x L x A)	446 mm x 120 mm x 170 mm
Peso de acordo com o Procedimento EPTA de 01/2003	5,1 kg
Classe de protecção	II
Classe de protecção com PRCD	I

NOTA

A ferramenta está disponível em versões com várias tensões nominais. Verifique sempre a informação inscrita na placa de características da ferramenta.

Tensão nominal [V]	100	110	110	120	220	230	240
Frequência [Hz]	50...60	50	60	60	50/60	50...60	50
Potência nominal [W]	1 450	1 600	1 570		1 600	1 600	1 600
Corrente nominal [A]	15	15,4	15	14,1	7,7	7,4	7,1
Velocidade de rotação em vazio 1.ª velocidade [rpm]	650	650	650	650	650	650	650
Velocidade de rotação em vazio 2.ª velocidade [rpm]	1 380	1 380	1 380	1 380	1 380	1 380	1 380

NOTA

O nível de vibração indicado nestas instruções foi medido em conformidade com um processo de medição que consta da norma EN 60745 e pode ser utilizado para a comparação de ferramentas eléctricas entre si, sendo também

apropriado para uma estimativa preliminar da carga alternativa. O nível de vibração indicado representa as aplicações principais da ferramenta eléctrica. No entanto, se a ferramenta eléctrica for utilizada para outras aplicações, com acessórios diferentes dos indicados ou devido a manutenção insuficiente, o nível de vibração pode ser diferente. Isso pode aumentar notoriamente a carga alternativa durante todo o período de trabalho. Para uma avaliação exacta da carga alternativa também se devem considerar os períodos durante os quais a ferramenta está desligada ou, embora ligada, não esteja de facto a ser utilizada. Isso pode reduzir notoriamente a carga alternativa durante todo o período de trabalho. Defina medidas de segurança adicionais para protecção do operador contra a acção de vibrações, como, por exemplo: manutenção da ferramenta eléctrica e dos acessórios, medidas para manter as mãos quentes, organização dos processos de trabalho.

Informação sobre ruído (medido conforme a norma EN 60745-2-1)

Nível de potência acústica ponderado A típico	95 dB (A)
Nível de pressão sonora ponderado A típico	84 dB (A)
Incerteza dos níveis sonoros indicados	3 dB (A)

Informações adicionais de acordo com a norma EN 60745-1, valores de vibração triaxiais (soma vectorial das vibrações)

Furar bloco de arenito calcário (a seco) com coroa de perfuração PCM, $a_{h, DD}$	12 m/s ²
Furar bloco de arenito calcário (a seco) com coroa de perfuração HDM, $a_{h, DD}$	5,8 m/s ²
Incerteza (K)	1,5 m/s ²

pt

5 Normas de segurança

5.1 Normas de segurança gerais para ferramentas eléctricas

a) AVISO

Leia todas as normas de segurança e instruções. O não cumprimento das normas de segurança e instruções pode resultar em choque eléctrico, incêndio e/ou lesões graves. **Guarde bem todas as normas de segurança e instruções para futura referência.** O termo "ferramenta eléctrica" utilizado nas normas de segurança refere-se a ferramentas com ligação à corrente eléctrica (com cabo de alimentação) ou ferramentas a bateria (sem cabo).

5.1.1 Segurança no posto de trabalho

- Mantenha a sua área de trabalho limpa e bem iluminada.** Locais desarrumados ou mal iluminados podem ocasionar acidentes.
- Não utilize a ferramenta eléctrica em ambientes explosivos ou na proximidade de líquidos ou gases inflamáveis.** Ferramentas eléctricas produzem faíscas que podem provocar a ignição de pó e vapores.
- Mantenha crianças e terceiros afastados durante os trabalhos.** Distrações podem conduzir à perda de controlo sobre a ferramenta.

5.1.2 Segurança eléctrica

- A ficha da ferramenta eléctrica deve servir na tomada. A ficha não deve ser modificada de modo algum. Não utilize quaisquer adaptadores com ferramentas eléctricas com ligação terra.** Fichas

originais (não modificadas) e tomadas adequadas reduzem o risco de choque eléctrico.

- Evite o contacto do corpo com superfícies ligadas à terra, como, por exemplo, canos, radiadores, fogões e frigoríficos.** Existe um risco elevado de choque eléctrico se o corpo estiver em contacto com a terra.
- As ferramentas eléctricas não devem ser expostas à chuva nem à humidade.** A infiltração de água numa ferramenta eléctrica aumenta o risco de choque eléctrico.
- Não use o cabo para transportar, arrastar ou desligar a ferramenta eléctrica da tomada. Mantenha o cabo afastado de calor, óleo, arestas vivas ou partes em movimento da ferramenta.** Cabos danificados ou emaranhados aumentam o risco de choque eléctrico.
- Quando operar uma ferramenta eléctrica ao ar livre, utilize apenas cabos de extensão próprios para utilização no exterior.** A utilização de cabos de extensão próprios para exterior reduz o risco de choque eléctrico.
- Utilize um disjuntor diferencial se não puder ser evitada a utilização da ferramenta eléctrica em ambiente húmido.** A utilização de um disjuntor diferencial reduz o risco de choque eléctrico.

5.1.3 Segurança física

- Esteja alerta, observe o que está a fazer, e tenha prudência ao trabalhar com uma ferramenta eléctrica. Não use qualquer ferramenta eléctrica se estiver cansado ou sob a influência de dro-**

gas, álcool ou medicamentos. Um momento de distração ao operar a ferramenta eléctrica pode causar ferimentos graves.

- b) **Use equipamento de segurança. Use sempre óculos de protecção.** Equipamento de segurança, como, por exemplo, máscara antipoeiras, sapatos de segurança antiderrapantes, capacete de segurança ou protecção auricular, de acordo com o tipo e aplicação da ferramenta eléctrica, reduzem o risco de lesões.
- c) **Evite um arranque involuntário. Assegure-se de que a ferramenta eléctrica está desligada antes de a ligar à fonte de alimentação e/ou à bateria, pegar nela ou a transportar.** Transportar a ferramenta eléctrica com o dedo no interruptor ou ligar uma ferramenta à tomada com o interruptor ligado (ON) pode resultar em acidentes.
- d) **Remova quaisquer chaves de ajuste (chaves de fenda), antes de ligar a ferramenta eléctrica.** Um acessório ou chave deixado preso numa parte rotativa da ferramenta pode causar ferimentos.
- e) **Evite posturas corporais desfavoráveis. Mantenha sempre uma posição correcta, em perfeito equilíbrio.** Desta forma será mais fácil manter o controlo sobre a ferramenta eléctrica em situações inesperadas.
- f) **Use roupa apropriada. Não use roupa larga ou jóias. Mantenha o cabelo, vestuário e luvas afastados das peças móveis.** Roupas largas, jóias ou cabelos compridos podem ficar presos nas peças móveis.
- g) **Se poderem ser montados sistemas de aspiração e de recolha de pó, assegure-se de que estão ligados e são utilizados correctamente.** A utilização de um sistema de remoção de pó pode reduzir os perigos relacionados com a exposição ao mesmo.

5.1.4 Utilização e manuseamento da ferramenta eléctrica

- a) **Não sobrecarregue a ferramenta. Use para o seu trabalho a ferramenta eléctrica correcta.** Com a ferramenta eléctrica adequada obterá maior eficiência e segurança se respeitar os seus limites.
- b) **Não utilize a ferramenta eléctrica se o interruptor estiver defeituoso.** Uma ferramenta eléctrica que já não possa ser accionada pelo interruptor é perigosa e deve ser reparada.
- c) **Retire a ficha da tomada e/ou remova a bateria antes de efectuar ajustes na ferramenta, substituir acessórios ou guardar a ferramenta eléctrica.** Esta medida preventiva evita o accionamento accidental da ferramenta eléctrica.
- d) **Guarde ferramentas eléctricas não utilizadas fora do alcance das crianças. Não permita que a ferramenta seja utilizada por pessoas não qualificadas ou que não tenham lido estas instruções.** Ferramentas eléctricas operadas por pessoas não treinadas são perigosas.
- e) **Faça uma manutenção regular das ferramentas eléctricas. Verifique se as partes móveis funcionam perfeitamente e não emperram ou se há peças quebradas ou danificadas que possam influ-**

enciar o funcionamento da ferramenta eléctrica. Peças danificadas devem ser reparadas antes da utilização da ferramenta. Muitos acidentes são causados por ferramentas eléctricas com manutenção deficiente.

- f) **Mantenha as ferramentas de corte sempre afiadas e limpas.** Ferramentas de corte com gumes afiados tratadas correctamente emperram menos e são mais fáceis de controlar.
- g) **Utilize a ferramenta eléctrica, acessórios, bits, etc., de acordo com estas instruções. Tome também em consideração as condições de trabalho e o trabalho a ser efectuado.** A utilização da ferramenta eléctrica para outros fins além dos previstos, pode ocasionar situações de perigo.

5.1.5 Reparação

- a) **A sua ferramenta eléctrica só deve ser reparada por pessoal qualificado e só devem ser utilizadas peças sobressalentes originais.** Isto assegurará que a segurança da ferramenta eléctrica se mantenha.

5.2 Normas de segurança para berbequins

- a) **Utilize os punhos auxiliares fornecidos com a ferramenta.** A perda de controlo da ferramenta pode causar ferimentos.
- b) **Segure a ferramenta pelas áreas isoladas dos punhos, quando executar trabalhos onde o acessório pode encontrar cabos eléctricos encobertos ou o próprio cabo de rede.** O contacto com um cabo sob tensão também pode colocar partes metálicas da ferramenta sob tensão e causar um choque eléctrico

5.3 Normas de segurança adicionais

5.3.1 Segurança física

- a) **Na utilização guiada à mão, segure a ferramenta sempre com as duas mãos nos punhos previstos para o efeito. Mantenha os punhos secos, limpos e isentos de óleos e massas.**
- b) **Se a ferramenta for utilizada sem o dispositivo de aspiração de poeira, é indispensável colocar uma máscara antipoeiras.**
- c) **Faça pausas para relaxar os músculos e melhorar a circulação sanguínea nas mãos.**
- d) **Evite o contacto com peças rotativas. Ligue a ferramenta apenas quando estiver no local de trabalho.** O contacto com peças rotativas, nomeadamente brocas, discos, lâminas, etc. pode causar ferimentos.
- e) **Durante o trabalho, mantenha o cabo de alimentação, a extensão e, em caso de necessidade, também o tubo flexível do aspirador sempre na parte de trás da ferramenta.** Evita assim tropeçar nos cabos ou tubo durante os trabalhos.
- f) **Deve ensinar-se às crianças que não podem brincar com a ferramenta.**

- g) **A ferramenta não está concebida para a utilização por crianças ou pessoas debilitadas sem formação.**
- h) Pós de materiais, como tinta com chumbo, algumas madeiras, minerais e metal podem ser nocivos. O contacto com ou a inalação dos pós podem provocar reacções alérgicas e/ou doenças das vias respiratórias no operador ou em pessoas que se encontrem nas proximidades. Determinados pós, como os de carvalho ou de faia, são considerados cancerígenos, especialmente em combinação com aditivos para o tratamento de madeiras (cromato, produtos para a preservação de madeiras). Material que contenha amianto só pode ser trabalhado por pessoal especializado. **Se possível, utilize um aspirador de pó. Para alcançar um elevado grau de remoção de pó, utilize um removedor de pó móvel adequado recomendado pela Hilti para madeira e/ou pó mineral que tenha sido adaptado a esta ferramenta eléctrica. Assegure-se de que o local de trabalho está bem ventilado. Recomenda-se que use uma máscara antipoeiras com filtro da classe P2. Respeite as regulamentações em vigor no seu país relativas aos materiais a trabalhar.**

5.3.2 Utilização e manutenção de ferramentas eléctricas

- a) **Para maior segurança e porque assim fica com ambas as mãos livres para segurar a ferramenta, use grampos ou um torno para segurar peças soltas.**
- b) **Verifique se os acessórios utilizados são compatíveis com o sistema de encaixe e se estão correctamente encaixados.**
- c) **Em caso de corte de energia, desligue a ferramenta e retire a ficha da tomada.** Isto impede que a ferramenta seja colocada involuntariamente em funcionamento quando o corte de energia é reparado.

5.3.3 Segurança eléctrica

- a) **Antes de iniciar os trabalhos, verifique o local de trabalho relativamente a cabos eléctricos encobertos, bem como tubos de gás e água, por ex., com um detector de metais.** Partes metálicas externas da ferramenta podem transformar-se em condutores de corrente se, por ex., uma linha eléctrica for danificada inadvertidamente. Isto representa um sério perigo de choque eléctrico.
- b) **Se um PRCD estiver incluído no fornecimento, nunca opere a ferramenta sem o PRCD fornecido (na versão GB, nunca sem transformador**

de isolamento). Verifique o PRCD antes de cada utilização.

- c) **Verifique regularmente o cabo eléctrico. Se danificado, o cabo deve ser imediatamente substituído por um especialista. Quando o cabo de ligação da ferramenta eléctrica está danificado, deve ser substituído por um cabo de ligação preparado e especificamente autorizado, que se encontra disponível através do Serviço de Clientes Hilti. Verifique as extensões de cabo regularmente. Se estiverem danificadas, deverão ser substituídas. Se danificar o cabo enquanto trabalha, não lhe toque e desligue o equipamento imediatamente. Desligue a ferramenta da corrente.** Linhas de conexão e extensões danificadas representam um risco de choque eléctrico.
- d) **Se trabalhar com uma ferramenta eléctrica no exterior, certifique-se de que a ferramenta está ligada à rede eléctrica por meio de um disjuntor diferencial (RCD) com uma corrente de disparo de, no máximo, 30 mA.** A utilização de um disjuntor diferencial reduz o risco de choque eléctrico.
- e) **Por princípio, recomendamos a utilização de um disjuntor diferencial (RCD) com uma corrente de disparo de, no máximo, 30 mA.**

5.3.4 Local de trabalho

- a) **Assegure-se de que o local de trabalho está bem ventilado.** Áreas de trabalho mal ventiladas podem suscitar problemas de saúde devido à inalação de pó.
- b) **Conecte um sistema de remoção de pó ao executar trabalhos que originam pó.** Materiais nocivos para a saúde (p. ex., amianto) não podem ser perfurados.

5.3.5 Equipamento de protecção pessoal



Em caso de formação de pó, o operador e restantes pessoas que se encontrem na proximidade da ferramenta devem usar óculos de protecção adequados, capacete de segurança, protecção auricular, luvas de protecção, sapatos/botas de segurança e máscara antipoeiras.

6 Antes de iniciar a utilização



CUIDADO

A corrente eléctrica deve corresponder à indicada na placa de características da ferramenta. Certifique-se de que a ferramenta está desligada da corrente eléctrica.

PERIGO

Ao efectuar furos de atravessamento através de paredes, proteja a área atrás da parede, visto que material ou a carote podem cair para trás. Ao efectuar furos de atravessamento através de tectos, proteja a área situada por baixo, visto que material ou a carote podem cair para baixo.

CUIDADO

Certifique-se de que, durante o transporte, a ferramenta esteja desligada da corrente eléctrica. Desligue a ferramenta da corrente.

6.1 Posicionar o punho auxiliar 2

CUIDADO

Desligue a ferramenta da corrente.

1. Abra a abraçadeira de aperto do punho auxiliar, rodando o punho.
2. Regule a posição do punho.
3. Aperte bem o punho auxiliar, rodando-o.

6.2 Montar a coroa diamantada 3



PERIGO

Não utilize acessórios danificados. Antes de cada utilização, examine os acessórios em relação a fragmentos e fissuras, desgaste ou forte deterioração. Não utilize ferramentas danificadas. Fragmentos da peça a trabalhar ou de acessórios partidos podem ser projectados e provocar ferimentos mesmo para além da zona de trabalho imediata.

NOTA

Coroas diamantadas têm de ser substituídas logo que a capacidade de corte ou o avanço da perfuração diminuir perceptivelmente. Isso acontece em geral quando a altura dos segmentos diamantados é inferior a 2 mm.

CUIDADO

Para evitar ferimentos, use apenas coroas de perfuração e acessórios DD 110-D originais Hilti. Para ferramentas com um mandril BI+ apenas são permitidas coroas de perfuração originais Hilti.

CUIDADO

A coroa pode aquecer durante a utilização ou durante a afiação. Poderá queimar as mãos. **Use luvas de protecção para a troca do acessório.**

CUIDADO

Desligue a ferramenta da corrente.

CUIDADO

Certifique-se de que a guia de perfuração está bem colocada na coroa de perfuração.

CUIDADO

Em caso de utilização da guia de perfuração, não opere a ferramenta em vazio sem contacto com o material base.

NOTA

Os mandris BR, BT, M16 e M27 são aplicados com uma chave de bocas própria.

O mandril, o adaptador e a ferramenta devem estar livres de sujidade.

1. Abra o mandril (BI+) rodando-o no sentido do símbolo "aberto" (grampo aberto).
2. Insira a coroa diamantada a partir da frente no dentado do mandril (BI+) na ferramenta e rode-a até que engrene.
3. Feche o mandril (BI+) rodando-o no sentido do símbolo "fechado" (grampo fechado).
4. Certifique-se de que a coroa está fixa no mandril (verifique puxando-a para fora)

6.3 Montar o sistema de remoção de pó (opcional)

6.3.1 Coroas de abrir tomadas 4

1. Introduza a guia de perfuração, com a ponta virada para a frente, no encabadouro para coroas de abrir tomadas com sistema de remoção de pó até encostar.
2. Monte o encabadouro no mandril de acordo com a montagem da coroa diamantada.
3. Empurre o anel de bloqueio e o sistema de remoção de pó para trás, na direcção da ferramenta.
4. Monte a coroa de abrir tomadas no encabadouro.
5. Empurre o sistema de remoção de pó no sentido da ferramenta até encostar à coroa de perfuração e fixe-o nesta posição, empurrando o anel de bloqueio no sentido da coroa de abrir tomadas.
6. Verifique a liberdade de rotação do sistema de remoção de pó em relação à ferramenta.

6.3.2 Coroa de perfuração

1. Monte o encabadouro para a coroa de perfuração com sistema de remoção de pó no mandril de acordo com a montagem da coroa diamantada.
2. Monte a coroa de perfuração no encabadouro.

6.4 Seleccionar a rotação 5

CUIDADO

Não comute a velocidade com o motor em movimento. Espere até que a rotação pare.

Selecione a velocidade de acordo com o diâmetro da coroa utilizado. Mova o selector de velocidades para a velocidade recomendada enquanto faz rodar a coroa manualmente (consultar o capítulo Descrição).

6.5 Desmontar a coroa diamantada



CUIDADO

A coroa pode aquecer durante a utilização ou durante a afiação. Poderá queimar as mãos. **Use luvas de protecção para a troca do acessório.**

CUIDADO

Desligue a ferramenta da corrente.

NOTA

Para mandris BR, BT, M27 e M16, fixe o mandril e remova então a coroa com uma chave de bocas adequada a cada peça.

1. Abra o mandril (BI+) rodando-o no sentido do símbolo "aberto" (grampo aberto).
2. Puxe o anel na base do mandril na direcção da ferramenta (seta). Isto destrava a coroa de perfuração.
3. Retire a coroa de perfuração.

7 Utilização



AVISO

Certifique-se de que o cabo de alimentação e mangueiras não entram em contacto com peças em rotação.

PERIGO

Ao trabalhar com coroas de perfuração fendidas, preste atenção para não enfiar os dedos nas fendas.

CUIDADO

A ferramenta e o processo de perfuração produzem ruído. **Use protecção auricular.** Ruído em excesso pode levar à perda de audição.

CUIDADO

O processo de perfuração pode dar origem a estilhaços perigosos. Material fragmentado pode causar ferimentos no corpo e nos olhos. **Use óculos de protecção e um capacete de segurança.**

AVISO

A ferramenta possui, em conformidade com as suas aplicações, um torque (binário) elevado. **Utilize a ferramenta com o punho auxiliar e segure-a sempre com ambas as mãos.** O operador tem de estar preparado para a eventualidade de a ferramenta bloquear repentinamente.

PERIGO

O operador tem de estar preparado para a eventualidade de a ferramenta bloquear repentinamente e ter uma posição de trabalho absolutamente segura com ambos os pés.

7.1 Sistema de protecção anti-roubo TPS (opcional)

NOTA

A ferramenta está preparada para a instalação da função "Protecção anti-roubo" como opção. Se a ferramenta estiver equipada com esta função, só pode ser activada e preparada para ser utilizada através da respectiva chave de activação.

7.1.1 Activar a ferramenta

1. Assegure-se de que a ferramenta está a ser alimentada com tensão de rede. A luz indicadora amarela do sistema de protecção anti-roubo pisca. A ferramenta está agora pronta para receber o sinal da chave de activação.
2. Coloque a chave de activação ou a fivela do relógio TPS directamente sobre o símbolo de bloqueio (cadeado). A ferramenta é activada e está pronta para ser utilizada assim que a luz indicadora tiver apagado.

NOTA Quando se desliga a ferramenta por um curto espaço de tempo, por exemplo, ao mudar de local de trabalho ou em caso de corte de energia, esta mantém-se operacional por, aproximadamente, 20 minutos. Quando a interrupção é mais prolongada, é necessário activar de novo a ferramenta através da chave de activação.

7.1.2 Activação da função de protecção anti-roubo para a ferramenta

NOTA

No manual de instruções "Sistema de protecção anti-roubo", poderá encontrar informações relativas à activação e emprego do sistema de protecção anti-roubo.

7.2 Ligar e verificar o disjuntor de segurança PRCD (se existir)

1. Ligue a ferramenta à corrente eléctrica (tomada com fio terra).
2. Pressione o botão "Reset" no disjuntor de segurança PRCD.
O indicador deve iluminar-se.
3. Pressione o botão "TEST" no disjuntor de segurança PRCD.
O indicador deve apagar-se.
4. **AVISO Caso o indicador não se apague, não se deve continuar a operar a ferramenta.** O seu aparelho deve ser reparado por pessoal técnico qualificado com peças de substituição originais.
Pressione o botão "Reset" no disjuntor de segurança PRCD.
O indicador deve iluminar-se.

7.3 Trabalhar com o sistema de remoção de pó

CUIDADO

Durante o trabalho, mantenha o tubo flexível de aspiração sempre na parte de trás da ferramenta para não poder entrar em contacto com coroa de perfuração.

CUIDADO

Em relação à remoção do material aspirado, leia o manual de instruções dos aspiradores.

NOTA

Utilize um aspirador antiestático para evitar efeitos electrostáticos.

7.3.1 Aspirador com tomada de rede para ferramentas eléctricas

CUIDADO

Não utilize coroas de perfuração fendidas ao trabalhar com o sistema de remoção de pó.

NOTA

As acções opcionais devem ser realizadas em caso de utilização da guia de perfuração de duas peças.

1. Ajuste o punho auxiliar para a posição pretendida e fixe-o.
2. Monte a guia de perfuração (opcional).
3. Ligue a ficha de rede da ferramenta na tomada do aspirador.
4. Ligue a ficha do aspirador à corrente eléctrica e pressione, caso exista, o botão de ligar "Reset" do PRCD.
5. Posicione a ferramenta no centro da furação.

6. Pressione o interruptor on/off da ferramenta eléctrica.

NOTA O aspirador arranca com atraso depois da ferramenta eléctrica. Depois de desligada a ferramenta eléctrica, o aspirador desliga com atraso.

7. Aplique uma ligeira pressão até que a coroa esteja centrada e só depois aumente a pressão gradualmente. Abra um corte inicial com uma profundidade de 3 a 5 mm (opcional).
8. Pare a ferramenta soltando o interruptor on/off e aguarde até que a coroa de perfuração esteja completamente imobilizada (opcional).
9. Retire a guia da coroa de perfuração (opcional).
10. Posicione a coroa de perfuração no corte inicial, pressione o interruptor on/off e prossiga com a perfuração (opcional).

7.3.2 Aspirador sem tomada de rede para ferramentas eléctricas

CUIDADO

Não utilize coroas de perfuração fendidas ao trabalhar com o sistema de remoção de pó.

NOTA

As acções opcionais devem ser realizadas em caso de utilização da guia de perfuração de duas peças.

1. Ajuste o punho auxiliar para a posição pretendida e fixe-o.
2. Monte a guia de perfuração (opcional).
3. Ligue a ficha do aspirador à corrente eléctrica e ligue o aspirador.
4. Ligue a ficha da ferramenta à corrente eléctrica e pressione, caso exista, o botão de ligar "Reset" do PRCD.
5. Pressione o interruptor on/off da ferramenta eléctrica.
6. Aplique uma ligeira pressão até que a coroa esteja centrada e só depois aumente a pressão gradualmente. Abra um corte inicial com uma profundidade de 3 a 5 mm (opcional).
7. Pare a ferramenta soltando o interruptor on/off e aguarde até que a coroa de perfuração esteja completamente imobilizada (opcional).
8. Retire a guia da coroa de perfuração (opcional).
9. Posicione a coroa de perfuração no corte inicial, pressione o interruptor on/off e prossiga com a perfuração (opcional).
10. Antes de o desligar, deixe o aspirador trabalhar durante mais alguns segundos do que a ferramenta, para ainda poder aspirar o material restante.

7.4 Trabalhar sem sistema de remoção de pó



NOTA

Empregue coroas de perfuração fendidas quando perfura sem sistema de remoção de pó.

NOTA

Retire o sistema de remoção de pó ou fixe-o para que não rode.

NOTA

As acções opcionais devem ser realizadas em caso de utilização da guia de perfuração de duas peças.

CUIDADO

Retire a ficha da tomada quando retirar a carote.

PERIGO

Use uma máscara antipoeiras.

NOTA

O pó é espalhado em todas as direcções. Perfurar, particularmente em suspensão, é extremamente desagradável sem sistema de remoção de pó e pouco eficaz. Por isso, não se recomenda a perfuração em suspensão sem sistema de remoção de pó. É sempre recomendável empregar o sistema de remoção de pó com um aspirador adequado para perfuração a seco.

1. Ajuste o punho auxiliar para a posição pretendida e fixe-o.
2. Monte a guia de perfuração (opcional).
3. Ligue a ficha à corrente eléctrica e pressione, caso exista, o botão de ligar "Reset" do PRCD.
4. Posicione a ferramenta no centro da furação.
5. Pressione o interruptor on/off da ferramenta eléctrica.
6. Aplique uma ligeira pressão até que coroa esteja centrada e só depois aumente a pressão gradualmente. Abra um corte inicial com uma profundidade de 3 a 5 mm (opcional).
7. Pare a ferramenta soltando o interruptor on/off e aguarde até que a coroa de perfuração esteja completamente imobilizada (opcional).
8. Retire a guia da coroa de perfuração (opcional).
9. Posicione a coroa de perfuração no corte inicial, pressione o interruptor on/off e prossiga com a perfuração (opcional).

7.5 Desligar e desmontar o sistema



CUIDADO

Ao efectuar a troca de acessórios, calce luvas de protecção, pois estes aquecem durante a utilização.

CUIDADO

A coroa de perfuração está cheia de pó e resíduos da perfuração. **Certifique-se de que tem uma posição de trabalho segura para o peso adicional dos resíduos da perfuração.**

NOTA

Transporte a ferramenta preferencialmente dentro da mala Hilti.

1. Solte o interruptor on/off na ferramenta eléctrica e retire lentamente a coroa do furo.
2. Desligue o aspirador depois de o ter utilizado.
3. Assegure-se de que a ferramenta já não está ligada à rede eléctrica.
4. Se necessário, retire a carote da coroa.
5. Retire a coroa de perfuração.

7.6 Passos de trabalho, caso a coroa de perfuração encrave

Se a coroa de perfuração encravar, a embraiagem desactiva-se até o utilizador desligar a ferramenta. A coroa de perfuração pode ser solta através das seguintes acções:

7.6.1 Soltar a coroa de perfuração com a chave de forqueta

1. Desligue a máquina da corrente.
2. Segure a coroa de perfuração próximo do encabodouro com uma chave de forqueta adequada e solte a coroa de perfuração, rodando-a.
3. Ligue a ferramenta à corrente eléctrica.
4. Prossiga o processo de furação.

7.7 Transporte

CUIDADO

Certifique-se de que a ferramenta está desligada da corrente eléctrica.

NOTA

Se possível, guarde e transporte a ferramenta dentro da mala Hilti.

8 Conservação e manutenção

CUIDADO

Desligue a ferramenta da corrente.

8.1 Conservação dos acessórios e dos componentes metálicos

Remova quaisquer resíduos aderentes aos acessórios e ao mandril e proteja-os da corrosão, limpando-os, de tempos a tempos, com um pano ligeiramente embebido em óleo.

Mantenha o encabadouro sempre limpo e ligeiramente lubrificado.

8.2 Manutenção da ferramenta

CUIDADO

Mantenha a ferramenta, particularmente as superfícies do punho, seca, limpa e isenta de óleos e massas. Não utilize produtos de limpeza que contenham silicose.

As saídas de ar devem estar sempre limpas e desobstruídas! Limpe as saídas de ar cuidadosamente com uma escova seca. Evite a penetração de corpos estranhos no interior da ferramenta. Limpe regularmente o exterior da ferramenta com um pano ligeiramente húmido. Não utilize qualquer pulverizador, aparelho de jacto de vapor ou água corrente! Não utilize qualquer spray, produto de limpeza ou água, pois poderá afectar negativamente a parte eléctrica.

8.3 Manutenção

AVISO

As reparações na parte eléctrica apenas podem ser executadas por um electricista especializado.

Examine periodicamente todos os componentes e partes externas da ferramenta prevenindo assim o seu perfeito funcionamento. Não ligue a ferramenta se houver partes danificadas, incompletas ou se os comandos operativos não estiverem a funcionar correctamente. Nesse caso,

mande reparar a ferramenta num Centro de Assistência Técnica Hilti.

8.4 Substituir as escovas de carvão 7

NOTA

A luz indicadora (com o símbolo de uma chave inglesa) acende quando as escovas precisam de ser substituídas.

PERIGO

A manutenção e reparação da ferramenta só deve ser feita por pessoal devidamente autorizado e especializado! Estas pessoas deverão ser informadas sobre os potenciais perigos que a ferramenta representa.

A inobservância dos seguintes avisos pode representar perigo, nomeadamente devido ao contacto com tensão eléctrica elevada.

1. Desligue a ferramenta da corrente eléctrica.
2. Abra as tampas laterais (esquerda e direita) das escovas do motor.
3. Repare como estão colocadas as escovas e instalados os fios. Retire da ferramenta as escovas gastas.
4. Coloque as escovas novas da mesma forma como estavam as usadas (referência da peça de substituição: escova de carvão AO ML 100-127 V: 39577; escova de carvão AO ML 220-240 V: 39576).
5. Aparafuse as tampas laterais (esquerda e direita) das escovas do motor.

NOTA Ao colocá-las, preste atenção de que não danifica o isolamento do fio de aviso.

NOTA A luz indicadora apaga-se após a substituição das escovas de carvão quando a ferramenta estiver de novo ligada à rede.

8.5 Verificação do equipamento após manutenção

Após cada manutenção do equipamento, verifique se todos os dispositivos de segurança estão correctamente montados e perfeitamente operacionais.

9 Avarias possíveis

Falha	Causa possível	Solução
A ferramenta não trabalha	Avaria na rede eléctrica	Ligar uma outra ferramenta na mesma tomada para verificar se esta tem corrente. Verificar as fichas, o cabo eléctrico, o PRCD e a rede
	Ferramenta desliga automaticamente devido ao desgaste das escovas de carvão	Substituir as escovas de carvão Ver capítulo: 8.4 Substituir as escovas de carvão 7
	Interruptor on/off avariado	Nesse caso, mande reparar a ferramenta num Centro de Assistência Técnica Hilti

Falha	Causa possível	Solução
A ferramenta não trabalha	Alimentação eléctrica interrompida	Verificar o cabo de alimentação e, eventualmente, o aspirador, a extensão, as fichas, o PRCD e mandar substituir por um electricista especializado se necessário
	Avaria no sistema electrónico	Nesse caso, mande reparar a ferramenta num Centro de Assistência Técnica Hilti
A ferramenta não arranca e o indicador de manutenção está aceso	As escovas de carvão estão gastas	Substituir as escovas de carvão Ver capítulo: 8.4 Substituir as escovas de carvão 7
A ferramenta não arranca, escovas substituídas, indicador de manutenção está aceso	Avaria na ferramenta.	Nesse caso, mande reparar a ferramenta num Centro de Assistência Técnica Hilti.
Indicador de manutenção está aceso	As escovas de carvão estão gastas; ainda são possíveis algumas horas de tempo de trabalho efectivo.	As escovas precisam de ser substituídas. Ver capítulo: 8.4 Substituir as escovas de carvão 7
Indicador de manutenção pisca	Erro de velocidade	Nesse caso, mande reparar a ferramenta num Centro de Assistência Técnica Hilti.
A ferramenta não arranca, o indicador de protecção anti-roubo pisca a amarelo.	A ferramenta não está activada (no caso de ferramentas com sistema de protecção anti-roubo, opcional).	Active a ferramenta com a chave de activação.
O motor funciona. A coroa diamantada não roda	O selector de velocidades não prende	Rodar o selector de velocidades até que engate.
	Avaria na engrenagem	Nesse caso, mande reparar a ferramenta num Centro de Assistência Técnica Hilti
A velocidade de perfuração vai diminuindo	Segmentos diamantados da coroa com muito desgaste	Afiar a coroa de perfuração numa placa de afiar
	Segmentos diamantados da coroa com muito desgaste	Especificação errada da coroa de perfuração. Consulte a Hilti
	A carote fica presa no interior da coroa	Remover a carote
	Atingida a profundidade máxima de perfuração	Remover o carote e utilizar uma extensão da coroa
	Coroa diamantada com defeito	Verificar a coroa diamantada e substituí-la, se for necessário
	A embraiagem "salta" prematuramente ou desembraia permanentemente	Nesse caso, mande reparar a ferramenta num Centro de Assistência Técnica Hilti
	O pó impede que a perfuração avance	Utilize um sistema de remoção de pó adequado
Impossível introduzir a coroa no mandril	Mandril ou encabadouro sujos ou com defeito	Limpar o encabadouro/mandril ou substituí-lo se necessário
Folga excessiva no sistema de perfuração	A coroa não está suficientemente fixa no mandril	Apertar firmemente
	Encabadouro com defeito	Verificar o encabadouro. Substituí-lo se necessário

10 Reciclagem



As ferramentas Hilti são, em grande parte, fabricadas com materiais recicláveis. Um pré-requisito para a reciclagem é que esses materiais sejam devidamente separados. A Hilti já iniciou em muitos países a recolha da sua ferramenta usada para fins de reaproveitamento. Para mais informações dirija-se ao Serviço de Clientes Hilti local ou ao vendedor.



Apenas para países da UE

Não deite ferramentas eléctricas no lixo doméstico!

De acordo com a directiva europeia relativa aos resíduos de equipamentos eléctricos e electrónicos e a correspondente transposição para as leis nacionais, as ferramentas eléctricas usadas devem ser recolhidas separadamente, sendo encaminhadas para um reaproveitamento ecológico.

pt 11 Garantia do fabricante - Ferramentas

Em caso de dúvidas quanto às condições de garantia, contacte o seu parceiro HILTI local.

12 Declaração de conformidade CE (Original)

Designação:	Sistema de perfuração diamantado
Tipo:	DD 110-D
Ano de fabrico:	2007

Declaramos sob nossa exclusiva responsabilidade que este produto cumpre as seguintes normas ou documentos normativos: até 19 de Abril de 2016: 2004/108/CE, a partir de 20 de Abril de 2016: 2014/30/UE, 2006/42/CE, 2011/65/UE, EN 60745-1, EN 60745-2-1, EN ISO 12100.

Hilti Corporation, Feldkircherstrasse 100,
FL-9494 Schaan

Paolo Luccini
Head of BA Quality and Process Management
Business Area Electric Tools & Accessories
06/2015

Johannes Wilfried Huber
Senior Vice President
Business Unit Diamond

06/2015

Documentação técnica junto de:

Hilti Entwicklungsgesellschaft mbH
Zulassung Elektrowerkzeuge
Hiltistrasse 6
86916 Kaufering
Deutschland



Hilti Corporation

LI-9494 Schaan

Tel.: +423/234 21 11

Fax: +423/234 29 65

www.hilti.com

Hilti = registered trademark of Hilti Corp., Schaan
Pos. 5 | 20150922

