

HILTI

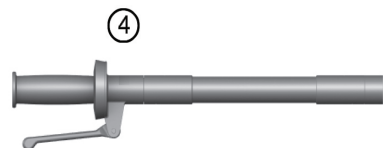
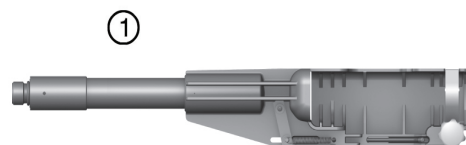
X-PT 5

English



1 Overview of the items available

1.1 Technical description



Item	Description	Length	Weight
A	Pole tool	2.16 m (7 ft)	2.1 kg (4.63 lb)
B	Pole tool	1.55 m (5 ft)	1.8 kg (3.97 lb)
1	Tool holder Total length with DX 5 tool: ?	0.51 m (1 11/16 ft)	0.8 kg (1.76 lb)
2	Tubular section	0.93 m (3 ft)	0.7 kg (1.54 lb)
3	Tubular section	0.31 m (1 ft)	0.3 kg (0.66 lb)
4	Grip section	0.48 m (1 9/16 ft)	0.7 kg (1.54 lb)

1.2 Selection table

Item	Part	No. of parts in version 1.52 m (5 ft)	No. of parts in version 2.13 m (7 ft)	No. of parts in version 3.05 m (10 ft)	No. of parts in version 3.96 m (13 ft)
-	Tool holder	1	1	1	1
2	Tubular section 0.9144 m (3 ft)	-	1	2	3
3	Tubular section 0.348 m (1 ft)	1	-	-	-
4	Grip section	1	1	1	1

1.3 Malfunctions and troubleshooting

Possible malfunction	Remedy (after lowering the tool)
The tool doesn't fire.	Check that the tubular sections are screwed in as far as they go.
The cartridges are not transported.	Pull the cartridge strip through manually to the next cartridge.

2 Manufacturer's warranty

Hilti warrants that the tool supplied is free of faults in material and workmanship. This warranty is valid so long as the tool is operated and handled correctly, cleaned and serviced in accordance with the **Hilti** operating instructions and the technical system is maintained. This means that only genuine **Hilti** consumables, components and spare parts may be used in the tool.

This warranty provides the free-of-charge repair or replacement of defective parts only over the entire lifespan of the product. Parts requiring repair or replacement as a result of normal wear and tear are not covered by this warranty.

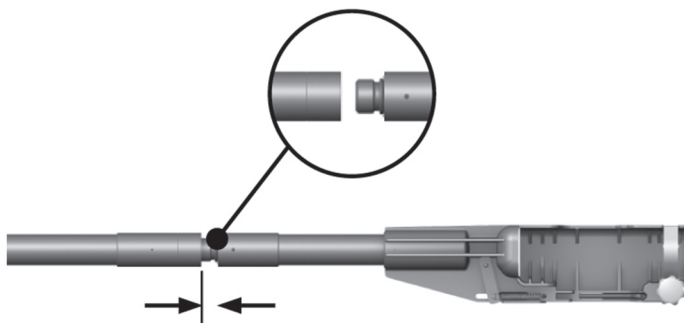
Additional claims are excluded, unless stringent national regulations prohibit such exclusion. In particular, **Hilti** accepts no liability for direct, indirect, incidental or consequential damages, losses or expenses in connection with, or by reason of, the use of, or inability to use the product for any purpose. Implied warranties of merchantability or fitness for a particular purpose are specifically excluded.

For repair or replacement, send the tool or appliance or related parts immediately upon discovery of the fault to the address of the **Hilti** marketing organization responsible.

This constitutes **Hilti**'s entire obligation with regard to warranty and supersedes all prior or contemporaneous comments and oral or written agreements concerning warranties.

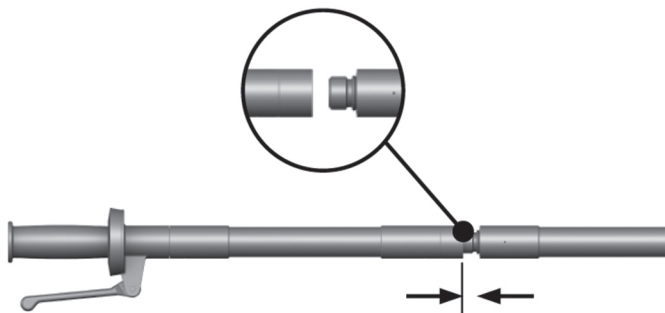
3 Assembly

3.1 Assembling the tubular sections and tool holder



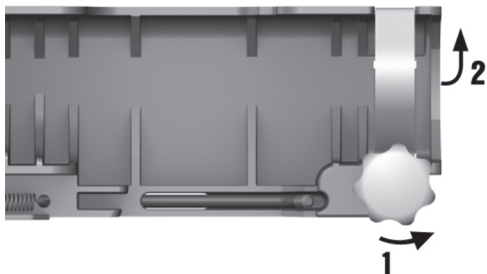
Screw the tubular sections and tool holder together, tightening the joints by hand only, without use of tools.

3.2 Assembling the tubular sections and grip section



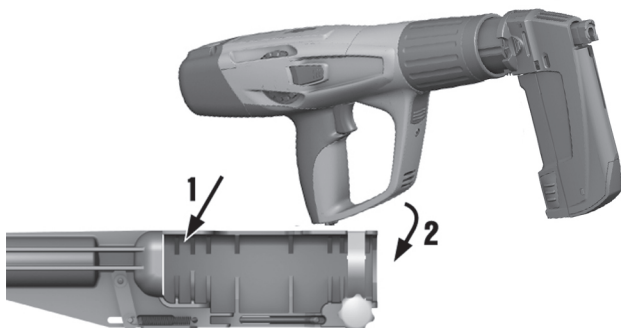
Screw the tubular sections and grip section together.

3.3 Opening the retaining bar



Open the retaining bar by releasing the screw knob.

3.4 Fitting the tool



Fit the tool.

3.5 Securing the tool



Secure the tool with the retaining bar and tighten the screw knob.

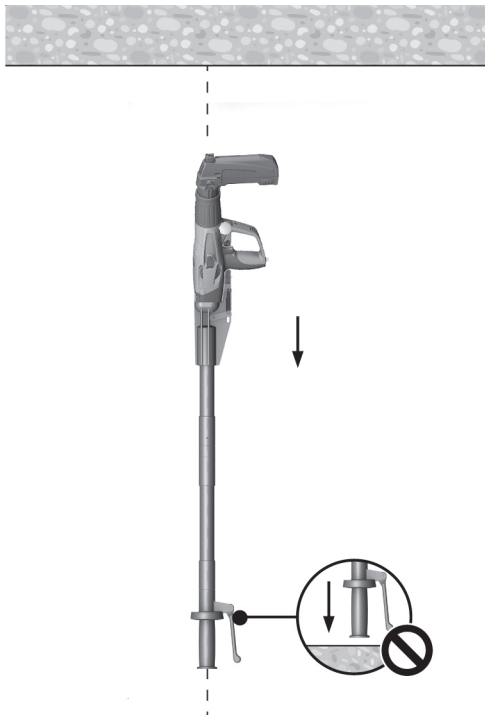
3.6 Position of the trigger lever



Note that the trigger lever must be positioned in front of the trigger.

4 Operation

4.1 Loading and using the tool



The instructions contained in the operating instructions for the tool, concerning loading and use of the tool, must be observed.

4.2 Fastening accessories

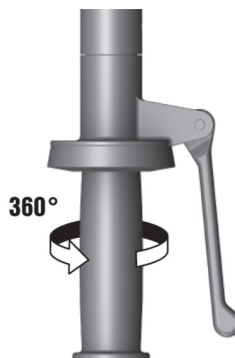


Note

Never press the tool against the working surface at an angle. Always work at right angles to the surface into which the fasteners are to be driven.

Hold the tool with the extension at right angles to the surface into which the fasteners are to be driven. Press the nose of the tool against the surface. Pull the trigger.

4.3 Grip section



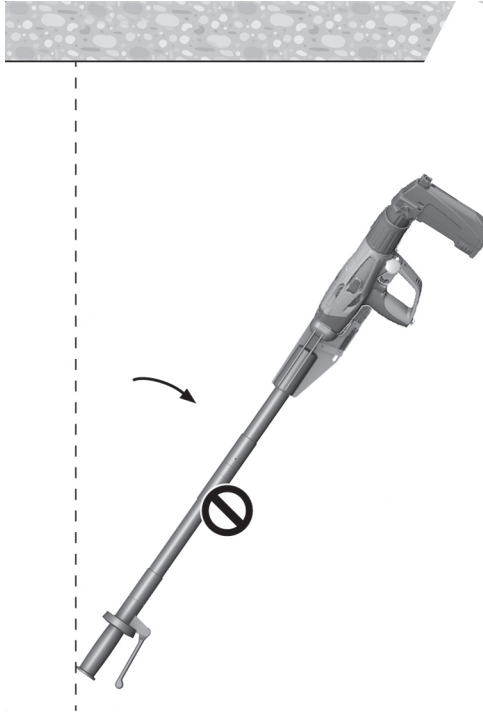
The grip section can be rotated at any time to bring it into a comfortable working position.

4.4 Reloading



Load the tool after lowering the pole tool.

4.5 Do not swing the tool down



Note

Do not swing the tool down while holding the pole at its lower end.

5 Disassembly

Disassemble the tool following the assembly steps in the reverse order.



Hilti Corporation

LI-9494 Schaan

Tel.: +423/234 21 11

Fax: +423/234 29 65

www.hilti.com

Hilti = registered trademark of Hilti Corp., Schaan



20160822