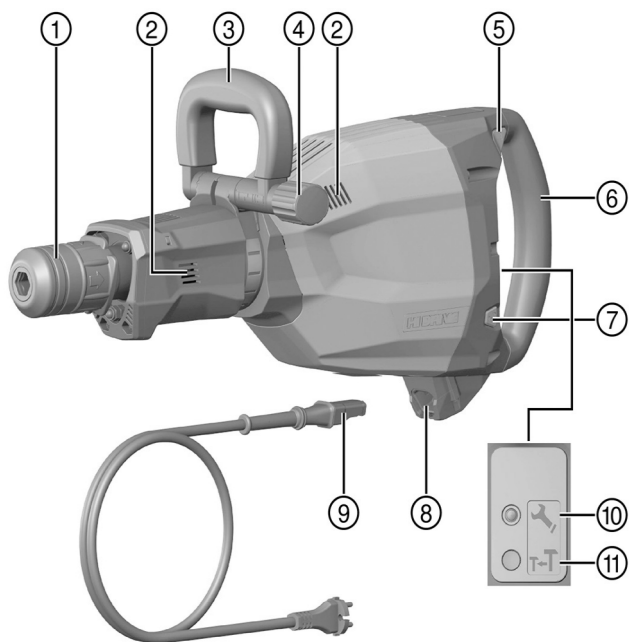
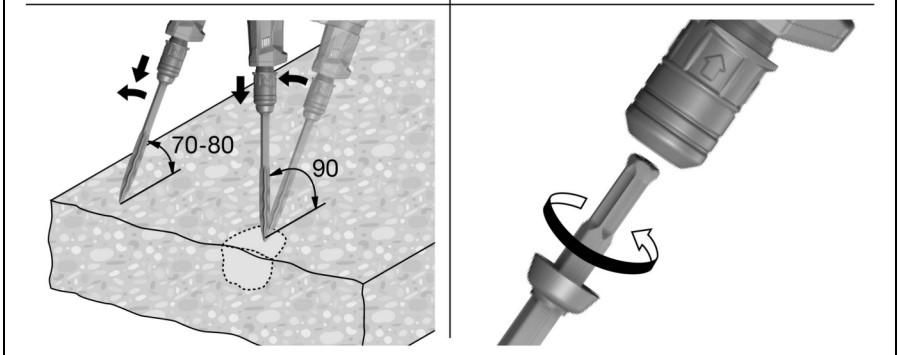
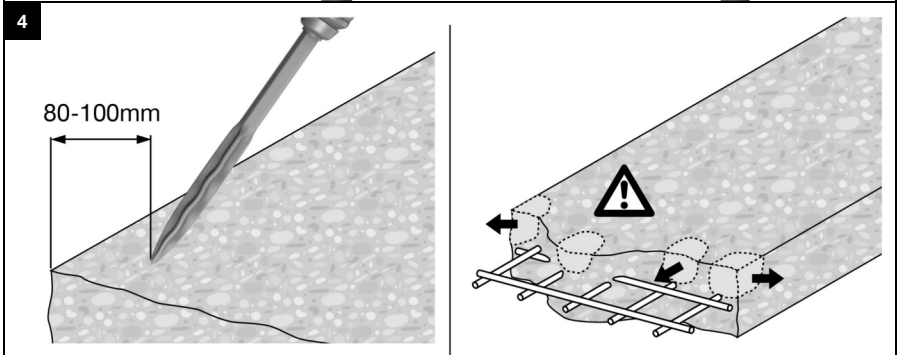
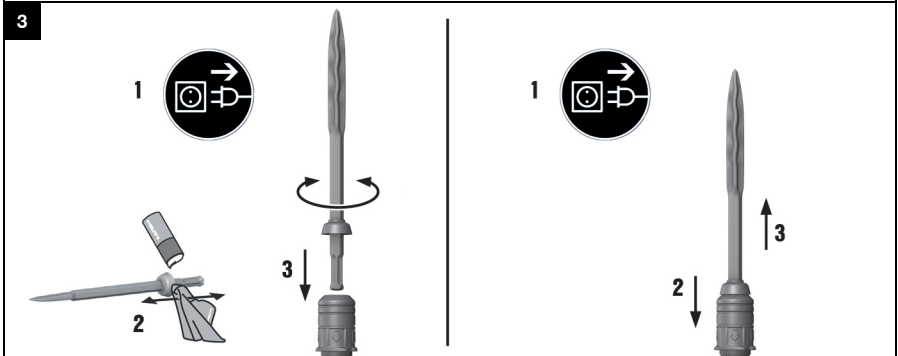
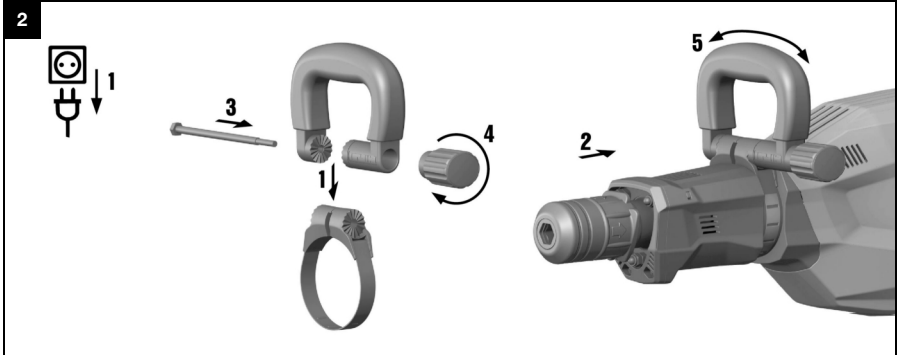




TE 1000-AVR (02)

English	1
Français	10
Dansk	20
Svenska	29
Norsk	38
Suomi	48
Русский	57
Türkçe	69
عربي	79
Latviešu	89
Lietuvių	98
Eesti	108
Українська	117
Қазақ	128
日本語	139
한국어	148
繁體中文	157
中文	165





TE 1000-AVR

en	Original operating instructions	1
fr	Mode d'emploi original	10
da	Original brugsanvisning	20
sv	Originalbruksanvisning	29
no	Original bruksanvisning	38
fi	Alkuperäiset ohjeet	48
ru	Перевод оригинального руководства по эксплуатации	57
tr	Orijinal kullanım kılavuzu	69
ar	دليل الاستعمال الأصلي	79
lv	Originālā lietošanas instrukcija	89
lt	Originali naudojimo instrukcija	98
et	Originaalkasutusjuhend	108
uk	Оригінальна інструкція з експлуатації	117
kk	Түпнұсқа пайдалану бойынша нұсқаулық	128
ja	オリジナル取扱説明書	139
ko	오리지널 사용 설명서	148
zh	原始操作說明	157
cn	原版操作说明	165

Original operating instructions

1 Information about the operating instructions

1.1 About these operating instructions

- **Warning!** Read and understand all accompanying documentation, including but not limited to instructions, safety warnings, illustrations, and specifications provided with this product. Familiarize yourself with all the instructions, safety warnings, illustrations, specifications, components, and functions of the product before use. Failure to do so may result in electric shock, fire, and/or serious injury. Save all warnings and instructions for future reference.
- products are designed for professional users and only trained, authorized personnel are permitted to operate, service and maintain the products. This personnel must be specifically informed about the possible hazards. The product and its ancillary equipment can present hazards if used incorrectly by untrained personnel or if used not in accordance with the intended use.
- The accompanying documentation corresponds to the current state of the art at the time of printing. Please always check for the latest version on the product's page on Hilti's website. To do this, follow the link or scan the QR code in this documentation, marked with the symbol
- Ensure that these operating instructions are with the product when it is given to other persons.

1.2 Explanation of symbols

1.2.1 Warnings

Warnings alert persons to hazards that occur when handling or using the product. The following signal words are used:

DANGER

DANGER !

- ▶ Draws attention to imminent danger that will lead to serious personal injury or fatality.

WARNING

WARNING !

- ▶ Draws attention to a potential threat of danger that can lead to serious injury or fatality.

CAUTION

CAUTION !

- ▶ Draws attention to a potentially dangerous situation that could lead to personal injury or damage to the equipment or other property.

1.2.2 Symbols in the operating instructions

The following symbols are used in these operating instructions:



	Comply with the operating instructions
	Instructions for use and other useful information
	Dealing with recyclable materials
	Do not dispose of electric equipment and batteries as household waste

1.2.3 Symbols in illustrations

The following symbols are used in illustrations:

2	These numbers refer to the illustrations at the beginning of these operating instructions.
3	The numbers in illustrations refer to important work steps or to components important for the work steps. In the text, the corresponding numbers draw attention to these work steps or components, e.g. (3) .



	Item reference numbers are used in the overview illustration and refer to the numbers used in the key in the product overview section.
	This symbol is intended to draw your special attention to certain points for handling the product.

1.3 Symbols on the product

1.3.1 Symbols on the product

The following symbols are used on the product:

	Protection class II (double-insulated)
---	--

2 Safety

2.1 General power tool safety warnings

⚠ WARNING Read all safety warnings, instructions, illustrations and specifications provided with this power tool. Failure to follow all instructions listed below may result in electric shock, fire and/or serious injury. **Save all warnings and instructions for future reference.**

The term "power tool" in the warnings refers to your mains-operated (corded) power tool or battery-operated (cordless) power tool.

Work area safety

- ▶ **Keep work area clean and well lit.** Cluttered or dark areas invite accidents.
- ▶ **Do not operate power tools in explosive atmospheres, such as in the presence of flammable liquids, gases or dust.** Power tools create sparks which may ignite the dust or fumes.
- ▶ **Keep children and bystanders away while operating a power tool.** Distractions can cause you to lose control.

Electrical safety

- ▶ **Power tool plugs must match the outlet. Never modify the plug in any way. Do not use any adapter plugs with earthed (grounded) power tools.** Unmodified plugs and matching outlets will reduce risk of electric shock.
- ▶ **Avoid body contact with earthed or grounded surfaces, such as pipes, radiators, ranges and refrigerators.** There is an increased risk of electric shock if your body is earthed or grounded.
- ▶ **Do not expose power tools to rain or wet conditions.** Water entering a power tool will increase the risk of electric shock.
- ▶ **Do not abuse the cord. Never use the cord for carrying, pulling or unplugging the power tool. Keep cord away from heat, oil, sharp edges or moving parts.** Damaged or entangled cords increase the risk of electric shock.
- ▶ **When operating a power tool outdoors, use an extension cord suitable for outdoor use.** Use of a cord suitable for outdoor use reduces the risk of electric shock.
- ▶ **If operating a power tool in a damp location is unavoidable, use a residual current device (RCD) protected supply.** Use of an RCD reduces the risk of electric shock.

Personal safety

- ▶ **Stay alert, watch what you are doing and use common sense when operating a power tool. Do not use a power tool while you are tired or under the influence of drugs, alcohol or medication.** A moment of inattention while operating power tools may result in serious personal injury.
- ▶ **Use personal protective equipment. Always wear eye protection.** Protective equipment such as a dust mask, non-skid safety shoes, hard hat or hearing protection used for appropriate conditions will reduce personal injuries.
- ▶ **Prevent unintentional starting. Ensure the switch is in the off-position before connecting to power source and/or battery pack, picking up or carrying the tool.** Carrying power tools with your finger on the switch or energising power tools that have the switch on invites accidents.
- ▶ **Remove any adjusting key or wrench before turning the power tool on.** A wrench or a key left attached to a rotating part of the power tool may result in personal injury.
- ▶ **Do not overreach. Keep proper footing and balance at all times.** This enables better control of the power tool in unexpected situations.
- ▶ **Dress properly. Do not wear loose clothing or jewellery. Keep your hair and clothing away from moving parts.** Loose clothes, jewellery or long hair can be caught in moving parts.



- ▶ **If devices are provided for the connection of dust extraction and collection facilities, ensure these are connected and properly used.** Use of dust collection can reduce dust-related hazards.
- ▶ **Do not let familiarity gained from frequent use of tools allow you to become complacent and ignore tool safety principles.** A careless action can cause severe injury within a fraction of a second.

Power tool use and care

- ▶ **Do not force the power tool. Use the correct power tool for your application.** The correct power tool will do the job better and safer at the rate for which it was designed.
- ▶ **Do not use the power tool if the switch does not turn it on and off.** Any power tool that cannot be controlled with the switch is dangerous and must be repaired.
- ▶ **Disconnect the plug from the power source and/or remove the battery pack, if detachable, from the power tool before making any adjustments, changing accessories, or storing power tools.** Such preventive safety measures reduce the risk of starting the power tool accidentally.
- ▶ **Store idle power tools out of the reach of children and do not allow persons unfamiliar with the power tool or these instructions to operate the power tool.** Power tools are dangerous in the hands of untrained users.
- ▶ **Maintain power tools and accessories. Check for misalignment or binding of moving parts, breakage of parts and any other condition that may affect the power tool's operation. If damaged, have the power tool repaired before use.** Many accidents are caused by poorly maintained power tools.
- ▶ **Keep cutting tools sharp and clean.** Properly maintained cutting tools with sharp cutting edges are less likely to bind and are easier to control.
- ▶ **Use the power tool, accessories and tool bits etc. in accordance with these instructions, taking into account the working conditions and the work to be performed.** Use of the power tool for operations different from those intended could result in a hazardous situation.
- ▶ **Keep handles and grasping surfaces dry, clean and free from oil and grease.** Slippery handles and grasping surfaces do not allow for safe handling and control of the tool in unexpected situations.

Service

- ▶ **Have your power tool serviced by a qualified repair person using only identical replacement parts.** This will ensure that the safety of the power tool is maintained.

2.2 Hammer safety warnings

Safety instructions for all operations

- ▶ **Wear ear protectors.** Exposure to noise can cause hearing loss.
- ▶ **Use auxiliary handle(s), if supplied with the tool.** Loss of control can cause personal injury.
- ▶ **Hold the power tool by insulated gripping surfaces, when performing an operation where the cutting accessory may contact hidden wiring or its own cord.** Cutting accessory contacting a "live" wire may make exposed metal parts of the power tool "live" and could give the operator an electric shock.

2.3 Additional safety instructions

Personal safety

- ▶ Use the product only when it is in technically faultless condition.
- ▶ Never tamper with or modify the power tool in any way.
- ▶ The user and persons in the vicinity must wear suitable protective goggles, a hard hat, protective gloves and protective footwear while the device is in use.
- ▶ Wear protective gloves when changing accessory tools as they get hot during use.
- ▶ Apply appropriate safety measures at the opposite side of the workpiece in work that involves breaking through. Parts breaking away could fall out and / or fall down causing injury to other persons.
- ▶ Check that the side handle is fitted correctly and tightened securely. Always hold the tool securely with both hands on the grips provided. Keep the grips dry, clean and free from oil and grease.
- ▶ Take breaks between working and do physical exercises to improve the blood circulation in your fingers. Exposure to vibration during long periods of work can lead to disorders of the blood vessels and nervous system in the fingers, hands and wrists.
- ▶ The tool is not intended for use by debilitated persons who have received no special training.
- ▶ Keep the power tool out of reach of children.
- ▶ Before starting work, check the hazard class of the dust that will be produced when working. Use an industrial vacuum cleaner with an officially approved protection classification in compliance with locally applicable dust protection regulations.



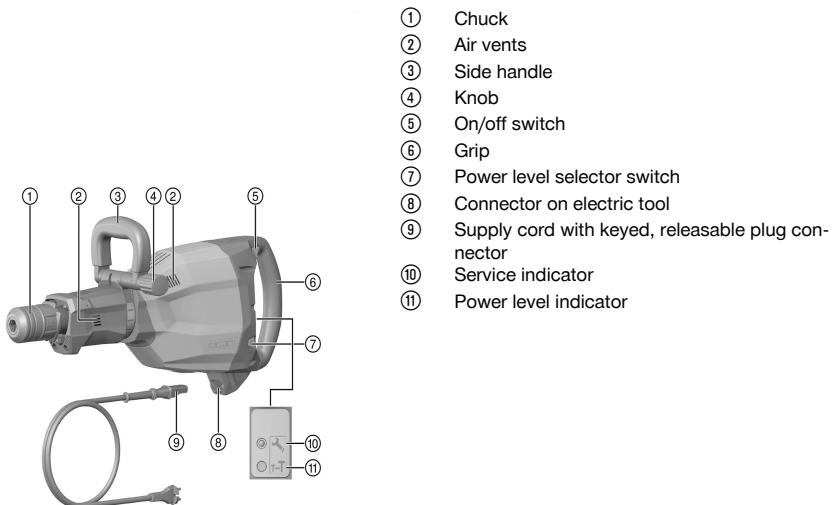
- ▶ Use a dust removal system and suitable mobile dust extractor whenever possible. Dust from materials such as lead-based paint, certain types of wood and concrete/masonry/stone containing quartz, minerals or metal can be harmful to health.
- ▶ Make sure that the workplace is well ventilated and, where necessary, wear a dust mask appropriate for the type of dust generated. Contact with or inhalation of the dust may cause allergic reactions and/or respiratory or other diseases to the operator or bystanders. Certain kinds of dust, such as oak and beech dust, are classified as carcinogenic, especially in conjunction with additives for treating wood (chromate, wood preservative). Only specialists are permitted to handle material containing asbestos.
- ▶ Approval must be obtained from the site engineer or architect prior to beginning the work. Work on buildings and other structures may influence the statics of the structure, especially when steel reinforcing bars or load-bearing components are cut through.

Electrical safety

- ▶ Before beginning work, check the working area for concealed electric cables or gas and water pipes. External metal parts of the power tool may give you an electric shock if you damage an electric cable accidentally.
- ▶ Check the power tool's supply cord at regular intervals and have it replaced by a qualified specialist if found to be damaged. If the power tool's supply cord is damaged it must be replaced with a specially-prepared and approved supply cord available from Hilti Customer Service. Check extension cords at regular intervals and replace them if found to be damaged. Do not touch the supply cord or extension cord if it is damaged while working. Disconnect the supply cord plug from the power outlet. Damaged supply cords or extension cords present a risk of electric shock.
- ▶ Dirty or dusty power tools that have been used frequently for work on conductive materials should be checked at regular intervals at a **Hilti** Service Center. Dust (especially dust from conductive materials) or dampness adhering to the surface of the power tool may, under unfavorable conditions, lead to electric shock.
- ▶ Switch the power tool off and unplug the supply cord in the event of a power failure or interruption in the electric supply. This will prevent accidental restarting when the electric power returns.

3 Description

3.1 Product overview



3.2 Intended use

The product described is an electrically powered breaker for heavy chiseling work. It is designed for breaking or demolishing concrete, masonry, stone and asphalt.

- Operation is permissible only when connected to a power source providing a voltage and frequency in compliance with the information given on the type identification plate.

3.3 Possible misuse

This product is not suitable for working on hazardous materials.

This product is not suitable for working in a damp environment.

3.4 Active Vibration Reduction (AVR)

The breaker is equipped with an Active Vibration Reduction (AVR) system, which reduces vibration significantly.

3.5 Power level indicator

The breaker is equipped with a power level indicator LED.

Chiseling power can be reduced to approx. 70% by pressing the power level selector switch. The power level LED then lights up, indicating reduced power.

3.6 Service indicator information

The breaker is equipped with a service indicator LED.

Status	Meaning
The service indicator lights red.	End of service interval – servicing is due. A fault has occurred in the tool.
The service indicator blinks red.	The overheating prevention cut-out has been activated. The voltage provided by the electric supply is too high.



Bring the product to **Hilti Service** in good time. This will help to ensure that it's always ready for use.

3.7 Items supplied

Breaker, side handle, operating instructions.

Other system products approved for use with this product can be found at your local **Hilti Store** or at: www.hilti.group

4 Technical data

4.1 Breaker



For details of the rated voltage, current, frequency and/or input power, please refer to the power tool's country-specific type identification plate.

When powered by a generator or transformer, the generator or transformer's power output must be at least twice the rated input power shown on the rating plate of the power tool. The operating voltage of the transformer or generator must always be within +5% and -15% of the rated voltage of the power tool.

	TE 1000-AVR
Product generation	02
Weight in accordance with EPTA procedure 01	12.5 kg
Single impact energy in accordance with EPTA procedure 05	26 J



4.2 Noise information and vibration values

The sound pressure and vibration values given in these instructions were measured in accordance with a standardized test and can be used to compare one power tool with another. They can also be used for a preliminary assessment of exposure.

The data given represent the main applications of the power tool. However, if the power tool is used for different applications, with different accessory tools, or is poorly maintained, the data can vary. This can significantly increase exposure over the total working period.

An accurate estimation of exposure should also take into account the times when the power tool is switched off, or when it is running but not actually being used for a job. This can significantly reduce exposure over the total working period.

Identify additional safety measures to protect the operator from the effects of noise and/or vibration, for example: maintaining the power tool and accessory tools, keeping the hands warm, organization of work patterns.



Detailed information on the versions of the **EN 62841** standards applied here is to be found in the reproduction of the declaration of conformity 176.

Noise emission values

Sound (power) level (L_{WA})	96 dB(A)
Uncertainty for the sound power level (K_{WA})	3 dB(A)
Emission sound pressure level (L_{pA})	88 dB(A)
Uncertainty for the sound pressure level (K_{pA})	3 dB(A)

Noise information and vibration values

Chiseling ($a_{h, Chisq}$)	5.9 m/s ²
Uncertainty (K)	1.5 m/s ²

5 Operation

5.1 Preparations at the workplace

CAUTION

Risk of injury! Inadvertent starting of the product.

- ▶ Unplug the supply cord before making adjustments to the power tool or before changing accessories.

Observe the safety instructions and warnings in this documentation and on the product.

5.1.1 Fitting and adjusting the side handle

CAUTION

Risk of injury! Loss of control over the breaker.

- ▶ Check that the side handle is fitted correctly and tightened securely.
- ▶ Fit or adjust the side handle.



The instructions provided with the side handle must also be observed.

5.1.2 Detachable supply cord

CAUTION

Risk of injury! Due to leakage current as a result of dirty contacts.

- ▶ Connect the detachable electric connector to the electric tool only when it is clean and dry and when the supply cord is unplugged from the power outlet.
- ▶ Connect / disconnect the detachable supply cord.



5.1.2.1 Connecting the detachable supply cord

CAUTION

Risk of injury! Due to leakage current as a result of dirty contacts.

- ▶ Connect the detachable electric connector to the electric tool only when it is clean and dry and when the supply cord is unplugged from the power outlet.
-
1. Push the keyed, detachable electric plug connector into the socket as far as it will go, until it is heard to engage.

We recommend always leaving the cord connected to the power tool to protect the tool/cord interface against dust and moisture. The cord should be disconnected only in the event of a break or damage.

2. Plug the supply cord into the power outlet.

5.1.2.2 Disconnecting the detachable supply cord

1. Unplug the supply cord from the power outlet.
2. Press the release button and pull the keyed, detachable electric plug connector out of the socket.
3. Pull the supply cord connector out of the power tool.

5.1.3 Fitting the accessory tool

1. Apply a little grease to the connection end of the accessory tool.
 2. Push the accessory tool into the chuck as far as it will go, turning it and applying light pressure until it engages with an audible click.
 - ▶ The product is ready for use.
-

Use only the recommended grease supplied by Hilti. Use of unsuitable grease may cause damage to the product.

5.1.4 Removing the accessory tool

WARNING

Risk of injury! The accessory tool gets hot during use and may also have sharp edges.

- ▶ Wear protective gloves when changing the tool.
-

DANGER

Risk of fire! Risk of contact between the hot accessory tool and highly inflammable materials.

- ▶ Do not lay the hot accessory tool down on highly inflammable materials.
-

1. Pull the chuck back.
2. Remove the accessory tool.

5.2 Types of work

CAUTION

Risk of damage by incorrect handling!

- ▶ Do not operate the switches for direction of rotation and/or function selection during operation.
-

Observe the safety instructions and warnings in this documentation and on the product.

5.2.1 Chiseling

The chisel can be adjusted to 6 different positions (in 60° increments). This ensures that flat chisels and shaped chisels can always be set to the optimum working position.

If inadequate pressure is applied, the chisel will jump around uncontrollably. Application of excessive pressure will result in a loss of chiseling performance.

1. Plug the supply cord into the power outlet.
2. Bring the chisel into contact with the workpiece about 80 - 100 mm (3 1/8" - 4") from its edge.



3. Begin with the chisel positioned at an angle of 70° to 80° to the concrete surface, with the tip of the chisel pointing toward the edge of the workpiece. Break material away by subsequently increasing the angle to approx. 90° as the chisel penetrates.
 - ▶ When working close to reinforcing bars, always guide the tip of the chisel toward the edge of the workpiece, not toward a reinforcing bar.
4. Rotate the chisel regularly to help ensure even wear and to promote the self-sharpening process.

5.2.2 Setting the chiseling power

- ▶ Press the power level selector switch.
 - ▶ Chiseling power can be reduced to approx. 70% by pressing the power level selector switch.



Chiseling power can be adjusted only when the power tool is switched on and ready for use. To reset full chiseling power, press the chiseling power level selector switch again. Switching off and then on again also causes the power tool to return to full chiseling power.

6 Care and maintenance



WARNING

Electric shock hazard! Attempting care and maintenance with the supply cord connected to a power outlet can lead to severe injury and burns.

- ▶ Always unplug the supply cord before carrying out care and maintenance tasks.

Care

- Carefully remove stubborn dirt from the tool.
- Clean the air vents carefully with a dry brush.
- Use only a slightly damp cloth to clean the casing. Do not use cleaning agents containing silicone as they can attack the plastic parts.

Maintenance



WARNING

Danger of electric shock! Improper repairs to electrical components may lead to serious injuries including burns.

- ▶ Repairs to the electrical section of the tool or appliance may be carried out only by trained electrical specialists.
- Check all visible parts and controls for signs of damage at regular intervals and make sure that they all function correctly.
- Do not operate the product if signs of damage are found or if parts malfunction. Have it repaired immediately by Hilti Service.
- After cleaning and maintenance, fit all guards or protective devices and check that they function correctly.



To help ensure safe and reliable operation, use only genuine Hilti spare parts and consumables. Spare parts, consumables and accessories approved by Hilti for use with the product can be found at your local **Hilti Store** or online at: www.hilti.group.

6.1 Cleaning the dust shield

- ▶ Clean the dust shield on the chuck with a dry, clean cloth at regular intervals.
- ▶ Clean the sealing lip by wiping it carefully and then grease it again lightly with **Hilti** grease.
- ▶ It is essential that the dust shield is replaced if the sealing lip is damaged.

7 Transport and storage

- Do not transport electric tools with accessory tools fitted.
- Always unplug the supply cord before storing an electric tool or appliance.
- Store tools and appliances in a dry place where they cannot be accessed by children or unauthorized persons.
- Check electric tools or appliances for damage after long periods of transport or storage.



8 Troubleshooting

If the trouble you are experiencing is not listed in this table or you are unable to remedy the problem by yourself, please contact **Hilti Service**.

8.1 Troubleshooting

Trouble or fault	Possible cause	Action to be taken
The power tool doesn't start.	Electronics initialization in progress (takes up to 4 seconds after plugging in). The electronic restart interlock is activated after an interruption in the electric supply.	► Switch the power tool off and then on again.
	Interruption in the electric supply.	► Plug in another electric tool or appliance and check whether it works.
	The generator is in sleep mode.	► Apply a load to the generator by connecting a second power consumer (e.g. worklight). Switch the tool off and then on again.
	The detachable supply cord is not fitted correctly.	► Fit the detachable supply cord to the power tool correctly.
The service indicator lights red.	The tool is faulty or servicing is due.	► Have the product repaired only by Hilti Service .
The service indicator blinks red.	The voltage provided by the electric supply is too high.	► Use a different power outlet. Check the electric supply.
	The overheating prevention cut-out has been activated.	► Allow the tool to cool down. Clean the air vents. Running under no load is still possible.
No hammering action.	The power tool is too cold.	► Bring the tip of the accessory tool into contact with the working surface, switch the power tool on and allow it to run. If necessary, repeat the procedure until the hammering mechanism begins to operate.
The tool does not achieve full power.	Power reduction is active.	► Press the power level selector switch (observe the power level indicator). Unplug the power tool from the electric supply and then plug it back in.
	The extension cord is too long or its gauge is inadequate.	► Use an extension cord of an approved length and / or of adequate gauge.
	The voltage provided by the electric supply is too low.	► Connect the power tool to a different power source.
The chisel cannot be released from the chuck.	The chuck is not pulled back fully.	► Pull the tool lock back as far as it will go and remove the insert tool.
The power tool switches itself off while running.	The overheating prevention cut-out has been activated.	► Allow the tool to cool down. Clean the air vents. Running under no load is still possible.

9 Disposal

Most of the materials from which **Hilti** tools and appliances are manufactured can be recycled. The materials must be correctly separated before they can be recycled. In many countries, your old tools,



machines or appliances can be returned to **Hilti** for recycling. Ask **Hilti Service** or your Hilti representative for further information.



- ▶ Do not dispose of power tools, electronic equipment or batteries as household waste!

10 RoHS (Richtlinie zur Beschränkung der Verwendung gefährlicher Stoffe)

The following link takes you to the table of dangerous substances: qr.hilti.com/r9672135.

You will find a link to the RoHS table, in the form of a QR code, at the end of this document.

11 Manufacturer's warranty

- ▶ Please contact your local **Hilti** representative if you have questions about the warranty conditions.

Mode d'emploi original

1 Indications relatives au mode d'emploi

1.1 À propos de ce mode d'emploi

- **Avertissement !** Il convient de lire et comprendre toute la documentation jointe, y compris, sans s'y limiter, les instructions, avertissements de sécurité, illustration et spécifications fournies avec le présent produit. Prenez connaissance de toutes les instructions, avertissements de sécurité, illustrations, spécifications et fonctions du produit avant de l'utiliser. Tout manquement à cette obligation peut entraîner un choc électrique, un incendie, et/ou des blessures graves. Conservez l'ensemble des avertissements et instructions pour consultation ultérieure.
- Les produits **HILTI** sont destinés aux professionnels et ne doivent être utilisés, entretenus et réparés que par un personnel autorisé et formé. Ce personnel doit être spécialement instruit quant aux dangers inhérents à l'utilisation de l'appareil. Le produit et ses accessoires peuvent s'avérer dangereux s'ils sont utilisés de manière incorrecte par un personnel non qualifié ou de manière non conforme à l'usage prévu.
- La documentation ci-jointe correspond à l'état actuel de la technique à la date d'impression. Veuillez toujours consulter la dernière version sur la page du produit sur le site Internet de Hilti. Pour ce faire, suivez le lien ou scannez le code QR dans la documentation, indiqué par le symbole
- Ne pas prêter ou céder le produit à un autre utilisateur sans lui fournir le présent mode d'emploi.

1.2 Explication des symboles

1.2.1 Avertissements

Les avertissements attirent l'attention sur des dangers liés à l'utilisation du produit. Les termes de signalisation suivants sont utilisés :

DANGER

DANGER !

- ▶ Pour un danger imminent qui peut entraîner de graves blessures corporelles ou la mort.

AVERTISSEMENT

AVERTISSEMENT !

- ▶ Pour un danger potentiel qui peut entraîner de graves blessures corporelles ou la mort.

ATTENTION

ATTENTION !

- ▶ Pour une situation potentiellement dangereuse pouvant entraîner des blessures corporelles ou des dégâts matériels.



1.2.2 Symboles dans le manuel d'utilisation

Les symboles suivants sont utilisés dans le présent manuel d'utilisation :

	Respecter le manuel d'utilisation
	Pour des conseils d'utilisation et autres informations utiles
	Maniement des matériaux recyclables
	Ne pas jeter les appareils électriques et les accus dans les ordures ménagères

1.2.3 Symboles dans les illustrations

Les symboles suivants sont utilisés dans les illustrations :

	Ces chiffres renvoient à l'illustration correspondante au début du présent manuel d'utilisation.
	La numérotation dans les illustrations indique les étapes de travail importantes ou les composants importants pour les étapes de travail. Dans le texte, ces étapes de travail ou composants sont mis en évidence avec les numéros correspondants, par ex. (3) .
	Les numéros de position sont utilisés dans l'illustration Vue d'ensemble et renvoient aux numéros des légendes dans la section Vue d'ensemble du produit .
	Ce signe doit inviter à manier le produit en faisant particulièrement attention.

1.3 Symboles sur le produit

1.3.1 Symboles sur le produit

Les symboles suivants sont utilisés sur le produit :

	Classe de protection II (double isolation)
--	--

2 Sécurité

2.1 Indications générales de sécurité pour les appareils électriques

⚠ AVERTISSEMENT Lire toutes les consignes de sécurité et instructions, illustrations et caractéristiques techniques, qui accompagnent cet outil électroportatif. Tout manquement à l'observation des instructions suivantes risque de provoquer une électrocution, un incendie et/ou de graves blessures. **Les consignes de sécurité et instructions doivent être intégralement conservées pour les utilisations futures.**

La notion d'« outil électroportatif » mentionnée dans les consignes de sécurité se rapporte à des outils électriques raccordés au secteur (avec câble d'alimentation) et à des outils électriques sur accu (sans câble d'alimentation).

Sécurité sur le lieu de travail

- ▶ **Conserver la zone de travail propre et bien éclairée.** Un lieu de travail en désordre ou mal éclairé augmente le risque d'accidents.
- ▶ **Ne pas faire fonctionner les outils électriques en atmosphère explosive et où se trouvent des liquides, des gaz ou poussières inflammables.** Les outils électriques produisent des étincelles qui peuvent enflammer les poussières ou les fumées.
- ▶ **Maintenir les enfants et les personnes présentes à l'écart pendant l'utilisation de l'outil électroportatif.** En cas d'inattention il y a risque de perdre le contrôle de l'appareil.

Sécurité relative au système électrique

- ▶ **La fiche de secteur de l'outil électroportatif doit être adaptée à la prise de courant. Ne jamais modifier la fiche de quelque façon que ce soit. Ne pas utiliser d'adaptateurs avec des outils électriques à branchement de terre.** Des fiches non modifiées et des prises de courant adaptées réduiront le risque de choc électrique.
- ▶ **Éviter le contact physique avec des surfaces mises à la terre tels que tuyaux, radiateurs, cuisinières et réfrigérateurs.** Il y a un risque élevé de choc électrique au cas où votre corps serait relié à la terre.



- ▶ **Ne pas exposer les outils électroportatifs à la pluie ou à l'humidité.** La pénétration d'eau à l'intérieur d'un outil électroportatif augmentera le risque d'un choc électrique.
- ▶ **Ne jamais utiliser le câble de raccordement à d'autres fins que celles prévues, telles que pour porter, accrocher ou débrancher l'outil électroportatif de la prise de courant. Maintenir le câble de raccordement à l'écart de la chaleur, des parties grasses, des bords tranchants ou des parties en mouvement.** Des câbles de raccordement endommagés ou emmêlés augmentent le risque de choc électrique.
- ▶ **Si l'outil électroportatif est utilisé à l'extérieur, utiliser uniquement des câbles de rallonge homologués pour les applications extérieures.** L'utilisation d'un câble de rallonge homologué pour les applications extérieures réduit le risque d'un choc électrique.
- ▶ **Si l'utilisation de l'outil électrique dans un environnement humide ne peut pas être évitée, utiliser un interrupteur de protection contre les courants de court-circuit.** L'utilisation d'un tel interrupteur de protection réduit le risque d'une décharge électrique.

Sécurité des personnes

- ▶ **Rester vigilant, surveiller ce que l'on fait. Faire preuve de bon sens en utilisant l'outil électroportatif. Ne pas utiliser l'outil électroportatif en étant fatigué ou sous l'emprise de l'alcool, de drogues ou de médicaments.** Un moment d'inattention lors de l'utilisation de l'outil électroportatif peut entraîner des blessures graves.
- ▶ **Utiliser un équipement de protection personnel et toujours porter une protection pour les yeux.** Les équipements de protection personnels tels que masque antipoussière, chaussures de sécurité antidérapantes, casque de protection ou protection acoustique suivant l'utilisation de l'outil électroportatif, réduiront le risque de blessures des personnes.
- ▶ **Éviter une mise en service par mégarde. S'assurer que l'outil électroportatif est arrêté avant de le brancher à la source de courant et/ou à l'accu, de le prendre ou de le porter.** Le fait de porter l'outil électroportatif avec le doigt sur l'interrupteur ou de brancher l'appareil sur la source de courant lorsque l'interrupteur est en position de fonctionnement peut entraîner des accidents.
- ▶ **Retirer tout outil de réglage ou toute clé avant de mettre l'outil électroportatif en fonctionnement.** Une clé ou un outil se trouvant sur une partie en rotation peut causer des blessures.
- ▶ **Adopter une bonne posture. Veiller à toujours garder une position stable et équilibrée.** Cela permet un meilleur contrôle de l'outil électroportatif dans des situations inattendues.
- ▶ **S'habiller de manière adaptée. Ne pas porter de vêtements amples ni de bijoux. Garder les cheveux, les vêtements et les gants à distance des parties en mouvement.** Des vêtements amples, des bijoux ou des cheveux longs peuvent être happés par des parties en mouvement.
- ▶ **Si des dispositifs servant à aspirer ou à recueillir les poussières doivent être utilisés, s'assurer qu'ils sont effectivement raccordés et correctement utilisés.** L'utilisation d'un dispositif d'aspiration de la poussière peut réduire les risques dus aux poussières.
- ▶ **Ne pas sous-estimer les mesures de sécurité à prendre et ne pas ignorer sciemment les règles de sécurité applicables aux outils électriques, même si l'on est utilisateur chevronné après de fréquentes utilisations de l'outil électroportatif.** Un manque d'attention peut conduire à de graves blessures en quelques fractions de seconde.

Utilisation et maniement de l'outil électroportatif

- ▶ **Ne pas forcer l'appareil. Utiliser l'outil électroportatif adapté au travail à effectuer.** Un outil électroportatif approprié réalisera mieux le travail et de manière plus sûre au régime pour lequel il a été conçu.
- ▶ **Ne pas utiliser d'outil électroportatif dont l'interrupteur est défectueux.** Tout outil électroportatif qui ne peut plus être mis en ou hors fonctionnement est dangereux et doit être réparé.
- ▶ **Débrancher la fiche de la prise de courant et/ou l'accu amovible avant d'effectuer des réglages sur l'appareil, de changer les accessoires, ou de ranger l'appareil.** Cette mesure de précaution empêche une mise en fonctionnement par mégarde de l'outil électroportatif.
- ▶ **Conserver les outils électroportatifs non utilisés hors de portée des enfants. Ne permettre l'utilisation de l'appareil à aucune personne qui ne soit pas familiarisée avec celui-ci ou qui n'a pas lu ces instructions.** Les outils électroportatifs sont dangereux lorsqu'ils sont entre les mains de personnes non initiées.
- ▶ **Prendre soin des outils électroportatifs et des accessoires. Vérifier que les parties en mouvement fonctionnent correctement et qu'elles ne sont pas coincées, et contrôler si des parties sont cassées ou endommagées de sorte que le bon fonctionnement de l'outil électroportatif s'en trouve entravé. Faire réparer les parties endommagées avant d'utiliser l'appareil.** De nombreux accidents sont dus à des outils électroportatifs mal entretenus.
- ▶ **Garder les outils de coupe affûtés et propres.** Des outils destinés à couper correctement entretenus avec des arêtes de coupe tranchantes sont moins susceptibles de bloquer et sont plus faciles à contrôler.



- ▶ **L'outil électroportatif, les accessoires, les outils amovibles, etc. doivent être utilisés conformément à ces instructions. Tenir également compte des conditions de travail et du travail à réaliser.** L'utilisation des outils électroportatifs à d'autres fins que celles prévues peut entraîner des situations dangereuses.
- ▶ **Veiller à ce que les poignées et surfaces de préhension soient toujours être sèches, propres et exemptes de traces de graisse ou d'huile.** Avec des poignées et surfaces de préhension glissantes, la sécurité et le contrôle de l'outil électroportatif ne peuvent être assurés dans des situations inopinées.

Service

- ▶ **L'outil électroportatif doit uniquement être réparé par un personnel qualifié, utilisant exclusivement des pièces de rechange d'origine.** Ceci permet d'assurer la sécurité de l'outil électroportatif.

2.2 Indications générales de sécurité applicables aux burineurs

Consignes de sécurité pour tous les travaux

- ▶ **Porter un casque antibruit.** Le bruit peut entraîner des pertes auditives.
- ▶ **Utiliser la poignée supplémentaire livrée avec l'appareil.** La perte de contrôle peut entraîner des blessures.
- ▶ **Tenir l'appareil par les surfaces isolées des poignées lors des travaux pendant lesquels l'accessoire risque de toucher des câbles électriques cachés ou son propre câble d'alimentation réseau.** Le contact avec un câble sous tension risque de mettre les parties métalliques de l'appareil sous tension et de provoquer une décharge électrique.

2.3 Consignes de sécurité supplémentaires

Sécurité des personnes

- ▶ Utiliser le produit uniquement s'il est en parfait état.
- ▶ Ne jamais entreprendre de manipulation ou de modification sur l'appareil.
- ▶ L'utilisateur et les personnes se trouvant à proximité doivent porter des lunettes de protection adaptées, un casque de protection, des gants de protection et des chaussures de sécurité pendant l'utilisation de l'appareil.
- ▶ Se munir de gants de protection pour changer d'outil, car l'appareil peut être très chaud après utilisation.
- ▶ Lors de travaux d'ajourage, protéger l'espace du côté opposé aux travaux. Des morceaux de matériaux risquent d'être éjectés et / ou de tomber, et de blesser d'autres personnes.
- ▶ S'assurer que la poignée latérale est bien montée et correctement serrée. Toujours tenir l'appareil des deux mains par les poignées prévues à cet effet. Veiller à ce que les poignées soient toujours sèches, propres et exemptes de traces de graisse et d'huile.
- ▶ Faire régulièrement des pauses et des exercices pour favoriser l'irrigation sanguine dans les doigts. En cas de travaux prolongés, les vibrations peuvent perturber la circulation dans les vaisseaux sanguins ou le système nerveux dans les doigts, les mains ou le poignet.
- ▶ L'appareil n'est pas destiné à être utilisé par des personnes affaiblies sans encadrement.
- ▶ L'appareil doit être tenu à l'écart des enfants.
- ▶ Avant le début du travail, prendre connaissance de la classe de risque de la poussière générée lors des travaux. Utiliser un aspirateur avec une classification de sécurité autorisée officiellement et conforme aux dispositions locales concernant les poussières.
- ▶ Dans la mesure du possible, utiliser un dispositif d'aspiration des poussières ainsi qu'un dépoussiéreur mobile adéquat. Les poussières de matériaux telles que des peintures contenant du plomb, certains types de bois, du béton / de la maçonnerie / des pierres naturelles qui contiennent du quartz ainsi que des minéraux et des métaux peuvent être nuisibles à la santé.
- ▶ Veiller à ce que le poste de travail soit bien ventilé et porter, le cas échéant, un masque de protection respiratoire adapté au type de poussières. Le contact ou l'aspiration de poussière peut provoquer des réactions allergiques et/ou des maladies respiratoires de l'utilisateur ou de toute personne se trouvant à proximité. Certaines poussières, telles que des poussières de chêne ou de hêtre, sont réputées être cancérigènes, en particulier lorsqu'elles sont combinées à des additifs destinés au traitement du bois (chromate, produit de protection du bois). Les matériaux contenant de l'amiante doivent seulement être manipulés par un personnel spécialisé.
- ▶ Faire confirmer les travaux par le maître d'œuvre. Les travaux dans des bâtiments et autres structures sont susceptibles de modifier la statique de la construction, en particulier lors d'interventions sur des armatures métalliques ou des éléments porteurs.

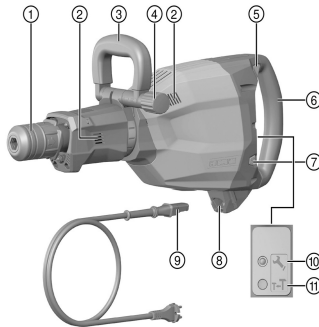


Sécurité relative au système électrique

- ▶ Avant d'entamer le travail, vérifier qu'il n'y a pas de câbles ou gaines électriques, tuyaux de gaz ou d'eau cachés dans la zone d'intervention. Toutes pièces métalliques extérieures de l'appareil sont susceptibles de provoquer une décharge électrique si un câble électrique est endommagé par inadvertance.
- ▶ Contrôler régulièrement les câbles de raccordement de l'appareil et les faire remplacer par un spécialiste s'ils sont endommagés. Si le câble de raccordement de l'appareil électrique est endommagé, il doit être remplacé par un câble de raccordement spécialement préparé et autorisé, disponible auprès du service après-vente. Contrôler régulièrement les câbles de rallonge et les remplacer s'ils sont endommagés. Si le câble d'alimentation réseau ou de rallonge est endommagé pendant le travail, ne pas le toucher. Débrancher la fiche de la prise. Les cordons d'alimentation et câbles de rallonge endommagés représentent un danger d'électrocution.
- ▶ Si le travail s'effectue souvent sur des matériaux conducteurs, faire réviser les appareils encrassés par le S.A.V. **Hilti** à intervalles réguliers. Dans de mauvaises conditions d'utilisation, la poussière collée à la surface de l'appareil, surtout la poussière de matériaux conducteurs, ou l'humidité, peut entraîner une électrocution.
- ▶ En cas de coupure de courant, arrêter l'appareil et retirer la fiche de la prise. Cette mesure de précaution empêche une mise en fonctionnement par mégarde de l'appareil lorsque le courant est rétabli.

3 Description

3.1 Vue d'ensemble du produit



- ① Mandrin
- ② Ouïes d'aération
- ③ Poignée latérale
- ④ Pommeau
- ⑤ Interrupteur Marche / Arrêt
- ⑥ Poignée
- ⑦ Commutateur de sélection de puissance
- ⑧ Branchement à l'appareil électrique
- ⑨ Câble d'alimentation avec connecteur codé débranchable
- ⑩ Indicateur de maintenance
- ⑪ Indicateur de la puissance choisie

3.2 Utilisation conforme à l'usage prévu

Le produit décrit est un burineur électrique conçu pour les gros travaux de burinage.

Il est destiné aux travaux de démontage et de démolition dans le béton, la maçonnerie, la pierre et l'asphalte.

- ▶ L'appareil ne doit fonctionner qu'avec la tension réseau et la fréquence réseau indiquées sur la plaque signalétique.



3.3 Mauvaise utilisation possible

Ce produit ne convient pas pour travailler des matériaux dangereux pour la santé.
Ce produit n'est pas conçu pour travailler dans un environnement humide.

3.4 Active Vibration Reduction (AVR)

Le burineur est équipé d'un système Active Vibration Reduction (AVR) qui réduit de manière significative les vibrations.

3.5 Indicateur de la puissance choisie

Le burineur est doté d'un indicateur de la puissance choisie avec signal lumineux.
Pour réduire la puissance de burinage à 70 % environ, appuyer sur le commutateur de sélection de puissance. À puissance réduite, l'indicateur de la puissance est allumé.

3.6 État du témoin de service

Le burineur est doté d'un indicateur de maintenance avec signal lumineux.

État	Signification
L'indicateur de maintenance s'allume en rouge.	La durée de fonctionnement pour une maintenance est atteinte. Dommages sur l'appareil.
L'indicateur de maintenance clignote en rouge.	Protection contre la surchauffe. La source d'alimentation électrique a une tension trop élevée.



Apporter le produit en temps voulu au S.A.V. Hilti. Il reste toujours prêt à fonctionner.

3.7 Éléments livrés

Burineur, poignée latérale, mode d'emploi.

D'autres produits système pour votre produit peuvent être trouvés dans votre **Hilti Store** ou à l'adresse : www.hilti.group

4 Caractéristiques techniques

4.1 Burineur



Les données de tension nominale, courant nominal, fréquence et / ou consommation nominale figurent sur la plaque signalétique spécifique au pays.

En cas d'utilisation avec un groupe électrogène ou un transformateur, leur puissance d'alimentation doit être au moins égale au double de la puissance indiquée sur la plaque signalétique de l'appareil. La tension de service du groupe électrogène ou du transformateur doit être toujours comprise entre +5 % et -15 % par rapport à la tension nominale de l'appareil.

	TE 1000-AVR
Génération de produit	02
Poids selon la procédure EPTA 01	12,5 kg
Énergie libérée par coup selon la procédure EP-TA 05	26 J

4.2 Valeurs d'émissions acoustiques et de vibrations

Les valeurs de pression acoustique et de vibrations mentionnées dans ces instructions ont été mesurées conformément à un procédé de mesure normalisé et peuvent être utilisées comme base de comparaison entre outils électroportatifs. Elles servent également à une évaluation préalable de l'exposition aux bruits et aux vibrations.




Les indications fournies correspondent aux principales applications de l'outil électroportatif. Ces données peuvent néanmoins différer si l'outil électroportatif est utilisé pour d'autres applications, avec des outils amovibles différents ou que l'entretien s'avère insuffisant. Ceci peut augmenter considérablement les contraintes d'exposition dans tout l'espace de travail.

Pour une évaluation précise des expositions, il convient également de prendre en compte les temps durant lesquels l'outil électroportatif est arrêté ou marche à vide. Cela peut réduire considérablement les contraintes d'exposition dans tout l'espace de travail.

Par ailleurs, il convient de prendre des mesures de sécurité supplémentaires en vue de protéger l'utilisateur des effets du bruit/ des vibrations, telles que : bien entretenir l'outil électroportatif ainsi que les outils amovibles, maintenir les mains chaudes, optimiser l'organisation des opérations.



De plus amples informations sur les versions des normes **EN 62841** appliquées ici sont fournies sur la copie de la déclaration de conformité  176.

Valeurs d'émissions sonores

Niveau de puissance acoustique (L_{WA})	96 dB(A)
Incertitude sur le niveau de puissance acoustique (K_{WA})	3 dB(A)
Niveau de pression acoustique d'émission (L_{pA})	88 dB(A)
Incertitude sur le niveau de pression acoustique (K_{pA})	3 dB(A)

Valeurs d'émissions acoustiques et de vibrations

Burinage ($a_{h, Cheq}$)	5,9 m/s ²
Incertitude (K)	1,5 m/s ²

5 Utilisation

5.1 Préparatifs

ATTENTION

Risque de blessures ! Mise en marche inopinée du produit.

- ▶ Retirer la fiche de la prise avant d'effectuer des réglages sur l'appareil ou de changer les accessoires.

Bien respecter les consignes de sécurité et les avertissements de la présente documentation ainsi que celles figurant sur le produit.

5.1.1 Montage et ajustage de la poignée latérale

ATTENTION

Risque de blessures Perte de contrôle du burineur.

- ▶ S'assurer que la poignée latérale est bien montée et correctement serrée.
- ▶ Monter ou ajuster la poignée latérale.



Prendre également compte de la description jointe à la poignée latérale.

5.1.2 Câble d'alimentation réseau enfichable

ATTENTION

Risque de blessures du fait des courants de fuite si les contacts sont encrassés.

- ▶ Le connecteur électrique débranchable doit uniquement être raccordé à l'appareil électrique, s'il est propre, sec et hors tension.
- ▶ Brancher/Débrancher le câble d'alimentation réseau enfichable.



5.1.2.1 Branchement du câble d'alimentation enfichable

ATTENTION

Risque de blessures du fait des courants de fuite si les contacts sont encrassés.

- ▶ Le connecteur électrique débranchable doit uniquement être raccordé à l'appareil électrique, s'il est propre, sec et hors tension.

1. Introduire l'embout de câble à connexion rapide codé jusqu'en butée dans l'appareil, jusqu'à ce que le dispositif de blocage s'encliquette avec un clic audible.

Laisser le câble attaché à l'outil pour protéger l'interface outil/câble de la poussière et de l'humidité. Ne débrancher le câble qu'en cas de rupture ou de dommages.

2. Brancher la fiche dans la prise.

5.1.2.2 Débranchement du câble d'alimentation enfichable de l'appareil

1. Débrancher la fiche de la prise.
2. Appuyer sur la touche d'arrêt et retirer le connecteur électrique débranchable codé.
3. Tirer le câble d'alimentation hors de l'appareil.

5.1.3 Mise en place de l'outil amovible

1. Graisser légèrement l'emmanchement de l'outil amovible.
2. Emmancher l'outil amovible à fond dans le porte-outil et le tourner en appuyant légèrement jusqu'à ce qu'il s'encliquette de manière audible.
 - ▶ Le produit est prêt à fonctionner.

Utiliser exclusivement de la graisse **Hilti** d'origine. L'utilisation d'une graisse non appropriée peut engendrer des dommages sur le produit.

5.1.4 Retrait de l'outil amovible

AVERTISSEMENT

Risque de blessures L'appareil peut être très chaud du fait de son utilisation ou présenter des arêtes vives.

- ▶ Porter des gants de protection pour changer d'outil.

DANGER

Risque d'incendie Danger en cas de contact entre l'appareil chaud et des matériaux facilement inflammables.

- ▶ Ne pas poser l'appareil chaud sur des matériaux facilement inflammables.

1. Tirer le porte-outil en arrière.
2. Retirer l'outil.

5.2 Travail

ATTENTION

Risque d'endommagement du fait d'un mauvais maniement !

- ▶ Ne pas actionner l'interrupteur de sens de rotation et/ou de sélection de fonction pendant le fonctionnement.

Bien respecter les consignes de sécurité et les avertissements de la présente documentation ainsi que celles figurant sur le produit.

5.2.1 Burinage

Le burin peut être bloqué dans 6 positions différentes (tous les 60°). Ainsi, que ce soit pour le burinage plat ou profilé, il est toujours possible de travailler dans la position optimale.

Si la pression d'appui est insuffisante, le burin risque de sortir de sa position. Si la pression d'appui est trop élevée, il y a diminution de la puissance de burinage.

1. Brancher la fiche dans la prise.
2. Poser le burin à environ 80 à 100 mm (3 1/8" - 4") du bord.



3. Débuter l'opération de burinage avec un angle de 70° à 80° par rapport à la surface du béton et orienter la pointe vers le bord. Redresser à 90° et enlever le matériau vers l'extérieur du matériau-support.
 - ▶ En cas d'armatures métalliques, toujours guider le burin vers le bord du matériel, jamais contre les armatures métalliques.
4. Tourner le burin de manière régulière car une usure uniforme favorise le processus d'auto-affûtage.

5.2.2 Réglage de la puissance de burinage

- ▶ Appuyer sur le commutateur de sélection de puissance.
 - ▶ Pour réduire la puissance de burinage à 70 % environ, appuyer sur le commutateur de sélection de puissance.



La puissance de burinage peut seulement être réglée à l'état de fonctionnement en marche. Réappuyer sur le commutateur de sélection de puissance pour disposer à nouveau de la pleine puissance de burinage. De même, si l'appareil est arrêté puis remis en marche, la pleine puissance de burinage est à nouveau disponible.

6 Nettoyage et entretien



AVERTISSEMENT

Danger d'électrocution ! Les travaux de nettoyage et d'entretien effectués avec fiche branchée à la prise peuvent entraîner de graves blessures ou brûlures.

- ▶ Toujours retirer la fiche de la prise avant tous travaux de nettoyage et d'entretien !

Nettoyage

- Éliminer prudemment les saletés récalcitrantes.
- Nettoyer les ouïes d'aération avec précaution au moyen d'une brosse sèche.
- Nettoyer le boîtier uniquement avec un chiffon légèrement humidifié. Ne pas utiliser de nettoyants à base de silicone, ceci pourrait attaquer les pièces en plastique.

Entretien



AVERTISSEMENT

Risque d'électrocution ! Des réparations inappropriées sur des composants électriques peuvent entraîner de graves blessures corporelles et brûlures.

- ▶ Toute réparation des pièces électriques ne doit être effectuée que par un électricien qualifié.
- Vérifier régulièrement qu'aucune pièce visible n'est endommagée et que les organes de commande sont parfaitement opérationnels.
- En cas d'endommagements et/ou de dysfonctionnements, ne pas utiliser le produit. Le faire immédiatement réparer par le S.A.V. **Hilti**.
- Après des travaux de nettoyage et d'entretien, vérifier si tous les équipements de protection sont bien en place et fonctionnent parfaitement.



Pour une utilisation en toute sécurité, utiliser uniquement des pièces de rechange et consommables d'origine. Vous trouverez les pièces de rechange, consommables et accessoires autorisés convenant pour votre produit dans le centre **Hilti Store** ou sous : www.hilti.group.

6.1 Nettoyage de la protection anti-poussière

- ▶ Nettoyer régulièrement la protection anti-poussière au niveau du mandrin au moyen d'un chiffon propre et sec.
- ▶ Essuyer la lèvres d'étanchéité avec précaution et la graisser à nouveau légèrement avec de la graisse **Hilti**.
- ▶ Si la lèvres d'étanchéité est endommagée, remplacer impérativement la protection anti-poussière.

7 Transport et entreposage

- Ne pas transporter l'appareil électrique avec un outil monté.
- Toujours stocker l'appareil électrique avec la fiche secteur débranchée de la prise.
- Sécher l'appareil et le stocker hors de portée des enfants et des personnes non autorisées.



- Après un transport ou stockage prolongé de l'appareil électrique, toujours vérifier qu'il n'est pas endommagé avant de l'utiliser.

8 Aide au dépannage

En cas de défaillances non énumérées dans ce tableau ou auxquelles il n'est pas possible de remédier sans aide, contacter le S.A.V. **Hilti**.


8.1 Guide de dépannage

Défaillance	Causes possibles	Solution
L'appareil ne se met pas en marche.	Initialisation de l'électronique en cours (attendre jusqu'à 4 secondes environ après le branchement de la fiche dans la prise). Le dispositif de verrouillage anti-démarrage électronique après une coupure d'alimentation électrique est activé.	▶ Arrêter puis remettre en marche l'appareil.
	L'alimentation réseau est coupée.	▶ Brancher un autre appareil électrique et vérifier s'il fonctionne.
	Générateur en mode Veille.	▶ Charger le générateur avec un second consommateur (p. ex. lampe de chantier). Ensuite, arrêter puis remettre en marche l'appareil.
	Câble d'alimentation pas correctement enfiché dans l'appareil.	▶ Brancher le câble d'alimentation enfichable correctement sur l'appareil électrique.
L'indicateur de maintenance s'allume en rouge.	Appareil endommagé ou l'échéance du prochain entretien est atteinte.	▶ Faire réparer le produit exclusivement par le S.A.V. Hilti .
L'indicateur de maintenance clignote en rouge.	La source d'alimentation électrique a une tension trop élevée.	▶ Changer de prise. Contrôler le réseau d'alimentation.
	Protection contre la surchauffe.	▶ Laisser refroidir l'appareil. Nettoyer les ouïes d'aération. La marche à vide est encore possible.
Absence de percussion.	L'appareil est trop froid.	▶ Poser le burineur sur le support et le laisser tourner à vide. Répéter si nécessaire jusqu'à ce que le mécanisme de frappe fonctionne.
L'appareil n'atteint pas la pleine puissance.	Réduction de puissance activée.	▶ Actionner le commutateur de sélection de puissance (surveiller l'indicateur de puissance). Débrancher et rebrancher l'appareil.
	Câble de rallonge trop long et / ou de section insuffisante.	▶ Utiliser des câbles de rallonge de longueur admissible et / ou de section suffisante.
	L'alimentation électrique a une tension trop faible.	▶ Raccorder l'appareil à une autre source d'alimentation électrique.
Impossible de sortir le burin du dispositif de verrouillage.	Le mandrin n'est pas complètement ouvert.	▶ Retirer le dispositif de verrouillage de l'outil jusqu'à la butée et sortir l'outil.



Défaillance	Causes possibles	Solution
L'appareil s'arrête en cours de fonctionnement.	Protection contre la surchauffe.	▶ Laisser refroidir l'appareil. Nettoyer les ouïes d'aération. La marche à vide est encore possible.

9 Recyclage

 Les appareils **Hilti** sont fabriqués pour une grande partie en matériaux recyclables. Le recyclage présuppose un tri adéquat des matériaux. **Hilti** reprend les appareils usagés dans de nombreux pays en vue de leur recyclage. Consulter le service clients **Hilti** ou un conseiller commercial.



- ▶ Ne pas jeter les appareils électriques, électroniques et accus dans les ordures ménagères !

10 RoHS (Richtlinie zur Beschränkung der Verwendung gefährlicher Stoffe)

Vous trouverez sous le lien ci-dessous le tableau des substances dangereuses : qr.hilti.com/r9672135.
Vous trouverez à la fin de la présente documentation un lien vers le tableau RoHS sous forme de code QR.


11 Garantie constructeur

- ▶ En cas de questions sur les conditions de garantie, veuillez vous adresser à votre partenaire **Hilti** local.

Original brugsanvisning

1 Om brugsanvisningen

1.1 Om denne brugsanvisning

- **Advarsel!** Før du bruger produktet, skal du sikre dig, at du har læst og forstået produktets medfølgende brugsanvisning inklusive anvisninger, sikkerhedsanvisninger og advarsler, billeder og specifikationer. Sørg især for at blive fortrolig med alle anvisninger, sikkerhedsanvisninger og advarsler, billeder, specifikationer samt bestanddele og funktioner. Hvis du ikke gør det, er der risiko for at få elektrisk stød, brandfare og/eller risiko for alvorlige personskader. Gem brugsanvisningen inklusive alle anvisninger, sikkerhedsanvisninger og advarsler til senere brug.
- **HILTI**-produkter er beregnet til professionel brug og må kun betjenes, efterses og vedligeholdes af autoriseret og instrueret personale. Dette personale skal i særdeleshed informeres om de potentielle farer, der er forbundet med anvendelsen af denne boltepistol. Der kan opstå farlige situationer ved anvendelse af produktet og det tilhørende udstyr, hvis det anvendes af personer, der ikke er blevet undervist i dets brug, eller hvis det ikke anvendes korrekt i henhold til forskrifterne i denne brugsanvisning.
- Den medfølgende brugsanvisning svarer til den aktuelle tekniske standard på tidspunktet for trykningen. Du kan altid finde den aktuelle version online på Hiltis produktside. Følg linket eller QR-koden i denne brugsanvisning, der er markeret med symbolet .
- Sørg for, at denne brugsanvisning altid følger med ved overdragelse af produktet til andre.

1.2 Tegnforklaring

1.2.1 Advarsler

Advarsler advarer mod farer ved håndtering af produktet. Følgende signalord anvendes:



FARE!

- ▶ Betegner en umiddelbart truende fare, der kan medføre alvorlige kvæstelser eller døden.



ADVARSEL

ADVARSEL !

- ▶ Står ved en potentielt truende fare, der kan medføre alvorlige kvæstelser eller døden.

FORSIGTIG

FORSIGTIG !

- ▶ Advarer om en potentielt farlig situation, der kan forårsage personskader eller materielle skader.

1.2.2 Symboler i brugsanvisningen

Der benyttes følgende symboler i denne brugsanvisning:

	Se brugsanvisningen
	Anvisninger for anvendelse og andre nyttige oplysninger
	Håndtering af genvindbare materialer
	Elektriske maskiner og batterier må ikke bortskaffes som almindeligt husholdningsaffald

1.2.3 Symboler i illustrationer

Følgende symboler anvendes på illustrationer:

	Disse tal henviser til den pågældende illustration i begyndelsen af denne brugsanvisning.
	Nummereringen i illustrationerne henviser til vigtige arbejdsstrin eller for arbejdsstrin til vigtige komponenter. I teksten fremhæves disse arbejdsstrin eller komponenter med tilhørende numre, f.eks. (3).
	Positionsnumre anvendes i illustrationen Oversigt og refererer til tallene i symbolforklaringen i afsnittet Produktoversigt .
	Dette symbol skal sikre skærpet opmærksomhed ved omgang med produktet.

1.3 Symboler på produktet

1.3.1 Symboler på produktet

Følgende symboler anvendes på produktet:

	Kapslingsklasse II (dobbeltisoleret)
--	--------------------------------------

2 Sikkerhed

2.1 Generelle sikkerhedsanvisninger for elværktøj

ADVARSEL Læs alle sikkerhedsanvisninger, henvisninger, billedtekster og tekniske data på elværktøjet. Hvis følgende anvisninger ikke overholdes, er der risiko for elektrisk stød, brand og/eller alvorlige personskader.

Opbevar alle sikkerhedsanvisninger og instruktioner til senere brug.

Det benyttede begreb "elværktøj" i sikkerhedsanvisningerne refererer til elektriske maskiner (med netledning) eller batteridrevne maskiner (uden netledning).

Arbejdspladssikkerhed

- ▶ **Sørg for at holde arbejdsområdet ryddeligt og godt oplyst.** Uorden eller uoplyste arbejdsområder øger faren for uheld.
- ▶ **Brug ikke elværktøj i eksplosionstruede omgivelser, hvor der er brændbare væsker, gasser eller støv.** Elværktøj kan slå gnister, der kan antænde støv eller dampe.
- ▶ **Sørg for, at andre personer og ikke mindst børn holdes væk fra arbejdsområdet, når elværktøjet er i brug.** Hvis man distraheres, kan man miste kontrollen over maskinen.



Elektrisk sikkerhed

- ▶ **Elværktøjets stik skal passe til kontakten. Stikket må under ingen omstændigheder ændres. Brug ikke adapterstik sammen med jordforbundne elværktøj.** Uændrede stik, der passer til kontakterne, nedsætter risikoen for elektrisk stød.
- ▶ **Undgå kropskontakt med jordforbundne overflader som f.eks. rør, radiatorer, komfurer og køleskabe.** Hvis din krop er jordforbundet, øges risikoen for elektrisk stød.
- ▶ **Elværktøj må ikke udsættes for regn eller fugt.** Indtrængning af vand i elværktøj øger risikoen for elektrisk stød.
- ▶ **Brug ikke ledningen til formål, den ikke er beregnet til (f.eks. må man aldrig bære elværktøjet i ledningen, hænge det op i ledningen eller rykke i ledningen for at trække stikket ud af kontakten). Beskyt ledningen mod varme, olie, skarpe kanter eller dele, der er i bevægelse.** Beskadigede eller sammenviklede ledninger øger risikoen for elektrisk stød.
- ▶ **Hvis elværktøjet benyttes i det fri, må der kun benyttes en forlængerledning, der er egnet til udendørs brug.** Brug af forlængerledning til udendørs brug nedsætter risikoen for elektrisk stød.
- ▶ **Hvis det ikke kan undgås at anvende elværktøjet i fugtige omgivelser, skal du anvende et fejlstrømsrelæ.** Anvendelsen af et fejlstrømsrelæ nedsætter risikoen for et elektrisk stød.

Personlig sikkerhed

- ▶ **Det er vigtigt at være opmærksom, se, hvad man laver, og bruge maskinen fornuftigt. Anvend aldrig elværktøj, hvis du er træt eller påvirket af stoffer, alkohol eller medicin.** Et øjebliks uopmærksomhed under brugen af elværktøjet kan medføre alvorlige personskader.
- ▶ **Brug beskyttelsesudstyr, og hav altid beskyttelsesbriller på.** Brug af sikkerhedsudstyr som f.eks. støvmaske, skridsikkert fodtøj, beskyttelseshjelm eller høreværn afhængigt af elværktøjets type og anvendelse nedsætter risikoen for personskader.
- ▶ **Undgå utilsigtet igangsætning. Kontrollér, at elværktøjet er frakoblet, før du slutter det til strømforsyningen og/eller batteriet, tager det op eller transporterer det.** Undgå at bære elværktøjet med fingeren på afbryderen, og sørg for, at det ikke er tændt, når det slutes til nettet, da dette øger risikoen for personskader.
- ▶ **Fjern indstillingsværktøj eller skruenøgler, inden elværktøjet tændes.** Hvis et stykke værktøj eller en nøgle sidder i en roterende maskindel, er der risiko for personskader.
- ▶ **Undgå at arbejde i unormale kroppsstillinger. Sørg for at stå sikkert, mens der arbejdes, og kom ikke ud af balance.** Det er derved nemmere at kontrollere elværktøjet, hvis der skulle opstå uventede situationer.
- ▶ **Brug egnet arbejdstøj. Undgå løse beklædningsgenstande eller smykker. Hold hår, tøj og handsker væk fra dele, der bevæger sig.** Dele, der er i bevægelse, kan gribe fat i løstsiddende tøj, smykker eller langt hår.
- ▶ **Hvis støvudsugnings- og opsamlingsudstyr kan monteres, er det vigtigt, at dette tilsluttes og benyttes korrekt.** Ved at anvende en støvudsugning er det muligt at nedsætte risikoen som følge af støv.
- ▶ **Man må ikke ignorere sikkerhedsreglerne for elværktøj, heller ikke selvom man er fortrolig med brugen af elværktøjet.** Uagtsomhed kan medføre alvorlig tilskadekomst inden for få sekunder.

Anvendelse og pleje af elværktøjet

- ▶ **Undgå at overbelaste maskinen. Brug altid en maskine, der er beregnet til det stykke arbejde, der skal udføres.** Med det rigtige værktøj arbejder man bedst og mest sikkert inden for det angivne effektområde.
- ▶ **Brug ikke elværktøj, hvis afbryderen er defekt.** En maskine, der ikke kan startes og stoppes, er farlig og skal repareres.
- ▶ **Træk stikket ud af stikkontakten, og/eller fjern batteriet fra maskinen, inden du foretager indstillinger på den, skifter tilbehør og dele eller lægger den til side.** Disse sikkerhedsforanstaltninger forhindrer utilsigtet start af elværktøjet.
- ▶ **Opbevar ubenyttede elværktøjer uden for børns rækkevidde. Lad aldrig personer, der ikke er fortrolige med maskinen eller ikke har gennemlæst sikkerhedsanvisningerne, benytte denne.** Elværktøj er farligt, hvis det benyttes af ukyndige personer.
- ▶ **Sørg for at pleje elværktøj omhyggeligt. Kontrollér, om bevægelige dele fungerer korrekt og ikke sidder fast, og om delene er brækket eller beskadiget, således at elværktøjets funktion påvirkes. Få beskadigede dele repareret, inden elværktøjet tages i brug.** Mange uheld skyldes dårligt vedligeholdte elværktøjer.
- ▶ **Sørg for, at skæreværktøjer er skarpe og rene.** Omhyggeligt vedligeholdte skæreværktøjer med skarpe skærekanten sætter sig ikke så hurtigt fast og er nemmere at føre.



- ▶ **Anvend elværktøj, tilbehør, indsatsværktøj osv. i overensstemmelse med disse anvisninger. Tag hensyn til arbejdsforholdene og det arbejde, der skal udføres.** I tilfælde af anvendelse af maskinen til formål, som ligger uden for det fastsatte anvendelsesområde, kan der opstå farlige situationer.
- ▶ **Sørg for, at greb og gribeblader er tørre, rene og fri for olie og fedt.** Glatte greb og gribeblader gør betjeningen usikker, og det kan være svært at styre elværktøjet i uforudsete situationer.

Service

- ▶ **Sørg for, at elværktøjet kun reparerer af kvalificerede fagfolk, og at der altid benyttes originale reservedele.** Dermed sikres størst mulig elværktøjssikkerhed.

2.2 Sikkerhedsanvisninger til hamre

Sikkerhedsanvisninger for alle opgaver

- ▶ **Brug høreværn.** Støjpåvirkningen kan medføre høretab.
- ▶ **Brug de ekstrahåndgreb, som følger med maskinen.** Hvis du mister kontrollen, kan det medføre personskader.
- ▶ **Hold kun maskinen i de isolerede håndtag, når du udfører arbejder, hvor indsatsværktøjet kan ramme skjulte elledninger eller maskinens netkabel.** Ved kontakt med en spændingsførende ledning kan også metalliske værktøjsdele sættes under spænding, hvilket kan medføre elektrisk stød.

2.3 Yderligere sikkerhedsanvisninger

Personlig sikkerhed

- ▶ Anvend kun produktet i teknisk fejlfri stand.
- ▶ Foretag aldrig manipulationer eller ændringer på maskinen.
- ▶ Brugeren og de personer, der opholder sig i nærheden, skal under anvendelsen af maskinen bruge egnede beskyttelsesbriller, beskyttelseshjelm og sikkerhedssko.
- ▶ Anvend beskyttelseshandsker, når der skal skiftes værktøj, da værktøjet bliver meget varmt ved brug.
- ▶ Ved gennembrydningsarbejde skal du huske at sikre området på den modsatte side. Nedbrydningsdele kan falde ud og/eller ned og volde skade på andre personer.
- ▶ Kontrollér, at sidegrebet er monteret rigtigt og fastgjort korrekt. Hold altid maskinen med begge hænder på de dertil beregnede håndtag. Hold håndtagene tørre, rene og fri for olie og fedt.
- ▶ Hold pauser under arbejdet, og lav øvelser, så dine fingre får en bedre blodgennemstrømning. Ved længerevarende arbejde kan vibrationer medføre forstyrrelser af fingrenes, hændernes eller håndleddenes blodkar og nervesystem.
- ▶ Maskinen er ikke beregnet til svagelige personer uden instruktion.
- ▶ Maskinen skal opbevares uden for små børns rækkevidde.
- ▶ Find ud af, hvilken fareklasse det støv, der opstår ved arbejdet, har, inden du går i gang med arbejdet. Anvend en industristøvsuger med en officielt tilladt beskyttelsesklassificering, som opfylder de lokale støvbeskyttelsesbestemmelser.
- ▶ Anvend så vidt muligt støvudsugning og en egnet mobil støvsuger. Støv fra materialer såsom blyholdig maling, visse træsorter, beton / murværk / natursten, som indeholder kvarts, og mineraler samt metal kan være sundhedsfarlige.
- ▶ Sørg for en god ventilation af arbejdspladsen, og brug om nødvendigt et åndedrætsværn, som egner sig til den pågældende støvtype. Berøring eller indånding af støv kan medføre allergiske reaktioner og/eller luftvejssygdomme hos brugeren eller personer, der opholder sig i nærheden. Bestemte støvtyper, f.eks. støv fra ege- og bøgetræ, er kræftfremkaldende, især i forbindelse med tilsætningsstoffer til træbehandling (kromat, træbeskyttelsesmidler). Asbestholdige materialer må kun håndteres af fagfolk.
- ▶ Sørg for at få byggeledelsens tilladelse til arbejdet. Arbejde i bygninger og andre strukturer kan påvirke statikken, især ved overskæring af armeringsjern eller bærende elementer.

Elektrisk sikkerhed

- ▶ Kontrollér før påbegyndelse af arbejdet arbejdsområdet for skjulte elektriske ledninger, gas- og vandrør, f.eks. med en metaldetektor. Uvendige metaldele på maskinen kan medføre elektrisk stød, hvis du ven en fejl kommer til at beskadige en elledning.
- ▶ Kontrollér maskinens tilslutningsledning regelmæssigt, og få den udskiftet, hvis den er beskadiget. Hvis tilslutningskablet til det elektriske værktøj er ødelagt, skal det udskiftes med en særlig og godkendt tilslutningsledning, der fås i kundeserviceafdelingen. Kontrollér jævnligt forlængerledningerne, og udskift dem, hvis de er beskadigede. Hvis el- eller forlængerledningen bliver beskadiget under arbejdet, må du ikke røre ved ledningen. Træk stikket ud af stikkontakten. Beskadigede netledninger og forlængerledninger medfører fare for at få elektrisk stød.
- ▶ Få med regelmæssige mellemrum Hilti-service til at kontrollere tilsmudsede maskiner ved hyppig bearbejdning af ledende materialer. Hvis der sidder støv, først og fremmest fra ledende materialer, på

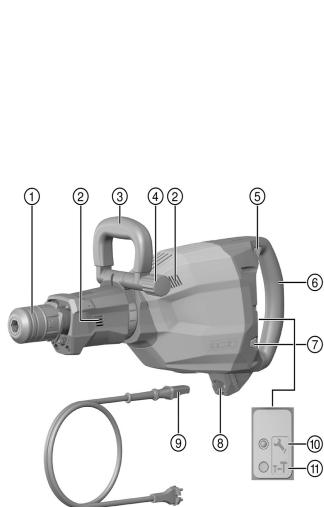


maskinens overflade, eller den er fugtig, er der under uheldige omstændigheder risiko for at få elektrisk stød.

- ▶ Sluk maskinen ved strømafbrydelser, og træk netstikket ud. Dette forhindrer utilsigtet ibrugtagning af maskinen, når strømmen vender tilbage.

3 Beskrivelse

3.1 Produktoversigt



- ① Værktøjsholder
- ② Ventilationsåbninger
- ③ Sidegreb
- ④ Knop
- ⑤ Tænd/sluk-knap
- ⑥ Håndgreb
- ⑦ Effektvælger
- ⑧ Tilslutning på den elektriske maskine
- ⑨ Netkabel med kodet, aftagelig stikforbindelse
- ⑩ Serviceindikator
- ⑪ Effektvísning

3.2 Bestemmelsesmæssig anvendelse

Det beskrevne produkt er en elektrisk mejselhammer til krævende mejselopgaver.

Den er beregnet til nedrivnings- og nedbrydningsopgaver i beton, murværk, sten og asfalt.

- ▶ Maskinen må kun slutes til den netspænding og -frekvens, som er angivet på typeskiltet.

3.3 Potentiel forkert brug

Dette produkt egner sig ikke til bearbejdning af sundhedsskadelige materialer.

Dette produkt egner sig ikke til arbejde i fugtige miljøer.

3.4 Active Vibration Reduction (AVR)

Mejselhammeren er forsynet med Active Vibration Reduction (AVR); et system, som reducerer vibrationsniveauet markant.

3.5 Effektvísning

Mejselhammeren er udstyret med en effektvalgindikator med lyssignal.

Ved at trykke på effektvælgeren kan du reducere mejseleffekten til ca. 70%. Ved reduceret effekt lyser effektvalgindikatoren.



3.6 Tilstand af serviceindikatoren

Mejselhammeren er udstyret med en serviceindikator med lyssignal.

Tilstand	Betydning
Serviceindikatoren lyser rødt.	Tidspunktet for service er nået. Skade på maskinen.
Serviceindikatoren blinker rødt.	Overophedningsbeskyttelse. Strømforsyningen har for høj spænding.



Indlever dit produktet hos **Hilti Service** i god tid. På den måde er det altid klar til brug.

3.7 Leveringsomfang

Mejselhammer, sidegreb, brugsanvisning.

Andre systemprodukter, som er godkendt til dit produkt, finder du i **Hilti Store** eller på: www.hilti.group

4 Tekniske data

4.1 Mejselhammer



Nominal spænding, nominal strøm, frekvens og / eller nominelt strømförbrug fremgår af det landesspecifikke typeskilt.

Ved drift på en generator eller transformator skal dennes udgangseffekt være mindst dobbelt så høj som det nominelle strømförbrug, der fremgår af maskinens typeskilt. Transformatorens eller generatorens driftsspænding skal til enhver tid ligge inden for +5 % og -15 % af maskinens nominelle spænding.

	TE 1000-AVR
Produktgeneration	02
Vægt i henhold til EPTA-procedure 01	12,5 kg
Enkeltlagsenergi i henhold til EPTA-procedure 05	26 J

4.2 Støjinformation og vibrationsværdier

Lydtryk- og vibrationsværdier i denne brugsanvisning er målt i henhold til en standardiseret målemetode og kan anvendes til sammenligning af forskellige elværktøjer. De kan også anvendes til en foreløbig vurdering af den eksponering, brugeren udsættes for.

De anførte data repræsenterer elværktøjets primære anvendelsesformål. Hvis elværktøjet imidlertid anvendes til andre formål, med andre indsatsværktøjer eller utilstrækkelig vedligeholdelse, kan dataene afvige. Dette kan forøge den eksponering, som brugeren udsættes for, i hele arbejdstiden markant.

For at opnå en præcis vurdering af den eksponering, som brugeren udsættes for, bør også den tid, hvor elværktøjet er slukket eller blot kører uden at blive anvendt, inddrages. Dette kan reducere den eksponering, som brugeren udsættes for, i hele arbejdstiden markant.

Fastlæg yderligere sikkerhedsforanstaltninger til beskyttelse af brugeren mod støj- og/eller vibrationspåvirkninger, f.eks. er det vigtigt at vedligeholde elværktøj og indsatsværktøj, at holde hænderne varme og at organisere arbejdsprocesserne.



Du finder detaljerede oplysninger om de anvendte versioner af de **EN 62841**-standarder, der skal anvendes, på billedet af overensstemmelseserklæringen 176.

Støjemissionsværdier

Lydeffektniveau (L_{WA})	96 dB(A)
Usikkerhed, lydeffektniveau (K_{WA})	3 dB(A)
Lydtrykniveau (L_{pA})	88 dB(A)
Usikkerhed, lydtrykniveau (K_{pA})	3 dB(A)



Støjinformation og vibrationsværdier

Mejsling ($a_{h, Cheq}$)	5,9 m/s ²
Usikkerhed (K)	1,5 m/s ²

5 Betjening**5.1 Forberedelse af arbejdet** **FORSIGTIG**

Fare for personskader! Utsigtet start af produktet.

- ▶ Træk stikket ud af stikkontakten, inden du foretager indstillinger eller skifter tilbehørsdele.

Følg sikkerheds- og advarselshenvisningerne i denne dokumentation og på produktet.

5.1.1 Montering og indstilling af sidegreb 2 **FORSIGTIG**

Fare for personskader Manglende kontrol over mejselhammeren.

- ▶ Kontrollér, at sidegrebet er monteret rigtigt og fastgjort korrekt.

- ▶ Monter eller indstil sidegrebet.



Se også den beskrivelse, som følger med sidegrebet.

5.1.2 Aftageligt netkabel **FORSIGTIG**

Fare for personskader på grund af krybestrøm ved tilsmudsede kontakter.

- ▶ Slut kun den aftagelige elstikforbindelse til den elektriske maskine i ren, tør og spændingsfri tilstand.

- ▶ Tilslut/frigør det aftagelige netkabel.

5.1.2.1 Tilslutning af aftageligt netkabel **FORSIGTIG**

Fare for personskader på grund af krybestrøm ved tilsmudsede kontakter.

- ▶ Slut kun den aftagelige elstikforbindelse til den elektriske maskine i ren, tør og spændingsfri tilstand.

1. Sæt den kodede, aftagelige elektriske stikforbindelse helt ind i maskinen, indtil låsemekanismen går hørbart i indgreb.



Vi anbefaler, at kablet altid er fastgjort til maskinen for at beskytte kontakthovedet mellem værktøjet og kablet mod støv og fugt. Kablet bør kun trækkes ud i tilfælde af brug/skader.

2. Sæt stikket i stikkontakten.

5.1.2.2 Adskillelse af det aftagelige netkabel fra den elektriske maskine

1. Træk stikket ud af stikkontakten.
2. Tryk på låseknappen, og træk den kodede, aftagelige elektriske stikforbindelse ud.
3. Træk netkablet ud af maskinen.

5.1.3 Isætning af indsatsværktøj 3

1. Smør indsatsværktøjets indstiksende med et tyndt lag fedt.
2. Stik indsatsværktøjet ind i værktøjsholderen, og drej det, mens du forsigtigt trykker det ind, indtil det går i indgreb.
 - ▶ Produktet er klar til brug.



Anvend kun originalt fedt fra **Hilti**. Hvis der anvendes en fedttype, som ikke egner sig, kan det medføre skader på produktet.



5.1.4 Udtagning af indsatsværktøj

ADVARSEL

Fare for personskader Værktøjet bliver varmt under brug og kan have skarpe kanter.

- ▶ Brug beskyttelseshandsker, når du skifter værktøj.

FARE

Brandfare Fare ved kontakt mellem det varme værktøj og let antændelige materialer.

- ▶ Læg ikke det varme værktøj på let antændelige materialer.

1. Træk værktøjsholderen tilbage.

2. Tag værktøjet ud.

5.2 Arbejde

FORSIGTIG

Fare for beskadigelse på grund af forkert håndtering!

- ▶ Tryk ikke på kontakten for rotationsretning og/eller funktionsvalg under brugen.

Følg sikkerheds- og advarselshenvisningerne i denne dokumentation og på produktet.

5.2.1 Mejsling



Mejslen kan indstilles i 6 forskellige positioner (i trin på 60°). Dette gør, at man med flad- og formmejsler altid kan arbejde i den korrekte arbejdsstilling.

Hvis du ikke trykker hårdt nok, hopper mejslen. Hvis du trykker for hårdt, nedsættes mejsleeffekten.

1. Sæt stikket i stikkontakten.

2. Sæt mejslen på ca. 80-100 mm (3 1/8" - 4") fra kanten.

3. Begynd mejslarbejdet i en vinkel på 70° til 80° i forhold til betonoverfladen, og ret spidsen hen imod kanten. Bevæg derefter vinklen i retning af 90°, og bryd materialet løs.

- ▶ Ved armeringsjern skal du altid føre mejslen hen imod kanten af materialet, ikke hen imod armeringsjernet.

4. Drej regelmæssigt mejslen, da en ensartet slitage understøtter selvslibningsprocessen.

5.2.2 Indstilling af mejsleeffekt

- ▶ Tryk på effektvælgeren.

- ▶ Ved at trykke på effektvælgeren kan du reducere mejsleeffekten til ca. 70%.



Indstilling af mejsleeffekten kan kun foretages, når maskinen er i drift. Ved at trykke på effektvælgeren igen står den fulde mejsleeffekt igen til rådighed. Hvis maskinen slukkes og tændes igen, står den fulde mejsleeffekt ligeledes igen til rådighed.

6 Rengøring og vedligeholdelse

ADVARSEL

Fare på grund af elektrisk stød! Pleje og vedligeholdelse med isat netstik kan medføre alvorlige personskader og forbrændinger.

- ▶ Træk altid netstikket ud før alle pleje- og vedligeholdelsesarbejder!

Pleje

- Fjern forsigtigt fastsiddende snavs.
- Rengør forsigtigt ventilationsåbningerne med en tør børste.
- Rengør kun kabinettet med en let fugtet klud. Undlad at anvende silikoneholdige plejemidler, da de kan angribe plastdelene.



Vedligeholdelse**⚠ ADVARSEL**

Fare for elektrisk stød! Fagmæssigt ukorrekte reparationer på elektriske dele kan medføre alvorlige personskader og forbrændinger.

- ▶ Reparationer på eldelene må kun udføres af en elektriker.
- Kontrollér regelmæssigt alle synlige dele for skader, og at betjeningselementerne fungerer fejlfrit.
- Anvend ikke produktet i tilfælde af beskadigelse og/eller funktionsfejl. Få omgående udført reparation hos **Hilti Service**.
- Monter alle beskyttelsesanordninger efter pleje- og vedligeholdelsesarbejder, og kontrollér dem for funktion.



Anvend kun originale reservedele og forbrugsmaterialer af hensyn til en sikker drift. Reservedele, forbrugsmaterialer og tilbehør til dit produkt, som vi har godkendt, finder du i dit **Hilti Store Center** eller under: www.hilti.group.

6.1 Rengøring af støvkappen

- ▶ Rengør regelmæssigt støvkappen på værktøjsholderen med en ren, tør klud.
- ▶ Tør forsigtigt tætningen ren, og påfør den derefter et tyndt lag **Hilti**-fedt.
- ▶ Udskift altid støvkappen, hvis tætningen er beskadiget.

7 Transport og opbevaring

- Transportér ikke elværktøj med isat værktøj.
- Opbevar altid elværktøj med netstikket trukket ud.
- Opbevar maskinen tørt og utilgængeligt for børn og uvedkommende personer.
- Efter længerevarende transport eller opbevaring skal elværktøjet kontrolleres for skader før ibrugtagning.

8 Fejlafhjælpning

Ved fejl, som ikke fremgår af denne tabel, eller som du ikke selv kan afhjælpne, beder vi dig om at kontakte **Hilti Service**.

8.1 Fejlsøgning

Fejl	Mulig årsag	Løsning
Maskinen starter ikke.	Elektronikken initialiseres (op til ca. 4 sekunder fra isætning af stikket). Den elektroniske startspærre efter en strømafbrydelse er aktiveret.	▶ Sluk maskinen, og tænd den igen.
	Elforsyningen er afbrudt.	▶ Tilslut en anden elektrisk maskine, og kontrollér dennes funktion.
	Generatoren er i Sleep Mode.	▶ Belast generatoren med endnu en forbruger (f.eks. en arbejds-lampe). Sluk derefter maskinen, og tænd den igen.
	Aftageligt netkabel ikke isat korrekt.	▶ Tilslut det aftagelige netkabel korrekt på den elektriske maskine.
Serviceindikatoren lyser rødt.	Maskinen er beskadiget, eller tidspunktet for service er nået.	▶ Produktet må kun repareres af Hilti Service .
Serviceindikatoren blinker rødt.	Strømforsyningen har for høj spænding.	▶ Udskift stikdåsen. Kontrollér nettet.
	Overophedningsbeskyttelse.	▶ Lad værktøjet køle af. Rengør ventilationsåbningerne. Drift er fortsat mulig i tomgang.



Fejl	Mulig årsag	Løsning
Ingen slagfunktion.	Maskine for kold.	► Sæt mejselhammeren på underlaget, og lad den køre i tomgang. Gentag om nødvendigt proceduren, indtil slagmekanismen arbejder.
Maskinen har ikke fuld ydelse.	Ydelsesreducering aktiveret.	► Tryk på effektvælgeren (se effektvalgindikator). Træk stikket til maskinen ud, og sæt det derefter i igen.
	Forlængerledning for lang og / eller med for lille tværsnit.	► Anvend en forlængerledning med godkendt længde og / eller med tilstrækkeligt tværsnit.
	Strømforsyningen har en for lav spænding.	► Slut maskinen til en anden strømforsyning.
Mejslen kan ikke frigøres.	Værktøjsholderen er ikke trukket helt tilbage.	► Træk værktøjsslåsen helt tilbage, og tag værktøjet ud.
Maskinen slukkes under driften.	Overophedningsbeskyttelse.	► Lad værktøjet køle af. Rengør ventilationsåbningerne. Drift er fortsat mulig i tomgang.

9 Bortskaffelse

Størstedelen af de materialer, som anvendes ved fremstillingen af **Hilti**-produkter, kan genvindes. Materialerne skal sorteres, før de kan genvindes. I mange lande modtager **Hilti** dine udtjente maskiner med henblik på genvinding. Spørg **Hilti** kundeservice eller din forhandler.



- Elværktøj, elektriske maskiner og batterier må ikke bortskaffes sammen med almindeligt husholdningsaffald!

10 RoHS (Richtlinie zur Beschränkung der Verwendung gefährlicher Stoffe)

Under følgende link finder du tabellen med farlige stoffer: qr.hilti.com/r9672135.

Et link til RoHS-tabellen finder du i slutningen af denne dokumentation som QR-kode.

11 Producentgaranti

- Hvis du har spørgsmål vedrørende garantibetingelserne, bedes du henvende dig til din lokale **Hilti**-partner.

Originalbruksanvisning

1 Anvisningar om bruksanvisning

1.1 Om denna bruksanvisning

- **Varning!** Innan du använder produkten ska du se till att du har läst och förstått den bruksanvisning som medföljer produkten, inklusive instruktioner, säkerhets- och varningsanvisningar, bilder och specifikationer. Gör dig särskilt förtrogen med alla anvisningar, säkerhets- och varningsanvisningar, bilder, specifikationer samt beståndsdelar och funktioner. Vid underlåtenhet att göra detta finns fara för elstöt, brand och/eller allvarliga personskador. Spara bruksanvisningen med alla anvisningar, säkerhets- och varningsanvisningar för senare användning.
- **HILTI**-produkter är avsedda för professionella användare och får endast användas, underhållas och repareras av auktoriserad, utbildad personal. Personalen måste vara särskilt informerad om de risker som finns. Produkten och dess tillbehör kan utgöra en risk om den används på ett felaktigt sätt av utbildad personal eller inte används enligt föreskrifterna.



- Den bifogade bruksanvisningen motsvarar den aktuella tekniska nivån vid tidpunkten för tryckningen. Du hittar alltid den senaste versionen online på Hiltis produktsida. Följ länken eller QR-koden i denna bruksanvisning, som är markerad med symbolen .
- Produkten bör endast överlämnas till andra personer tillsammans med denna bruksanvisning.

1.2 Teckenförklaring

1.2.1 Varningar

Varningarna är till för att varna för risker i samband med användning av produkten. Följande riskindikeringar används:

FARA

FARA !

- Anger överhängande risker som kan leda till svåra personskador eller dödsolycka.

VARNING

VARNING !

- Anger potentiella risker som kan leda till svåra personskador eller dödsfall.

FÖRSIKTIGHET

FÖRSIKTIGHET !

- Används för att uppmärksamma om en potentiell risksituation som kan leda till skador på person eller utrustning.

1.2.2 Symboler i bruksanvisningen

I den här bruksanvisningen används följande symboler:

	Observera bruksanvisningen
	Anmärkningar och annan praktisk information
	Hantering av återvinningsbara material
	Elverktyg och batterier får inte kastas i hushållssoporna

1.2.3 Symboler i bilderna

Följande symboler används i bilder:

	Dessa siffror hänvisar till motsvarande bild i början av bruksanvisningen.
	Numreringen i bilderna hänvisar till viktiga arbetsmoment eller viktiga komponenter för arbetsmomenten. I texten framhävs dessa arbetsmoment eller komponenter med motsvarande nummer, t.ex. (3) .
	I bilden Översikt används positionsnummer och hänvisar till siffrorna i teckenförklaringen i avsnittet Produktöversikt .
	Det här tecknet är till för att du ska vara extra uppmärksam på något som gäller hur du hanterar produkten.

1.3 Symboler på produkten

1.3.1 Symboler på produkten

Följande symboler används på produkten:

	Skyddstyp II (dubbelisolerad)
--	-------------------------------



2 Säkerhet

2.1 Allmänna säkerhetsföreskrifter för elverktyg

⚠️ VARNING Läs noga igenom alla säkerhetsföreskrifter, anvisningar, avbildningar och tekniska data som medföljer detta elverktyg. Om nedanstående anvisningar inte följs, finns risk för elektriska stötar, brand och/eller svåra skador.

Förvara alla säkerhetsföreskrifter och anvisningarna på ett säkert ställe för framtida användning.

Begreppet "elverktyg" som används i säkerhetsföreskrifterna avser nätdrivna elverktyg (med nätkabel) och batteridrivna elverktyg (sladdlösa).

Säker arbetsmiljö

- ▶ **Håll arbetsområdet rent och väl belyst.** Oordning eller bristfällig belysning på arbetsplatsen kan leda till olyckor.
- ▶ **Arbeta inte med elverktyget i omgivningarna med explosionsrisk där det finns brännbara vätskor, gaser eller damm.** Elverktyg alstrar gnistor som kan antända dammet eller gaserna.
- ▶ **Håll barn och obehöriga personer på betryggande avstånd under arbetet med elverktyget.** Om du störs av obehöriga personer kan du förlora kontrollen över verktyget.

Elsäkerhet

- ▶ **Elverktygets elkontakt måste passa till vägguttaget. Elkontakten får absolut inte ändras. Använd inte adapterkontakter tillsammans med skyddsjordade elverktyg.** Originalkontakter och lämpliga vägguttag minskar risken för elstötar.
- ▶ **Undvik kroppskontakt med jordade ytor som rör, värmeelement, spisar och kylskåp.** Det finns en större risk för elstötar om din kropp är jordad.
- ▶ **Skydda elverktyget från regn och väta.** Tränger vatten in i ett elverktyg ökar risken för elstöt.
- ▶ **Använd inte anslutningskabeln på ett felaktigt sätt, t.ex. genom att bära eller hänga upp elverktyget i den eller dra i den för att lossa elkontakten ur vägguttaget. Håll anslutningskabeln på avstånd från värmekällor, olja, vassa kanter och rörliga delar.** Skadade eller tilltrasslade anslutningskablar ökar risken för elstöt.
- ▶ **När du arbetar med ett elverktyg utomhus, använd endast förlängningskablar som är avsedda för utomhusbruk.** Genom att använda en lämplig förlängningskabel för utomhusbruk minskar du risken för elstöt.
- ▶ **Om det är alldeles nödvändigt att använda verktyget i fuktig miljö ska du använda en jordfelsbrytare.** Användning av jordfelsbrytare minskar risken för elstöt.

Personsäkerhet

- ▶ **Var uppmärksam, ha uppsikt över vad du gör och använd elverktyget med förnuft. Använd aldrig elverktyg om du är trött eller påverkad av droger, alkohol eller medicin.** En kort sekund av bristande uppmärksamhet när du arbetar med ett elverktyg kan leda till att du skadar dig själv eller någon annan svårt.
- ▶ **Bär alltid personlig skyddsutrustning och skyddsglasögon.** Genom att använda personlig skyddsutrustning som t.ex. dammskyddsmask, halkfria säkerhetsskor, hjälm eller hörselskydd, beroende på vilket elverktyg du använder och till vad, minskar du risken för kroppsskada.
- ▶ **Undvik oavsiktlig igångsättning. Se till att elverktyget är fränkopplat innan du ansluter det till nätströmmen och/eller batteriet, tar upp det eller bär det.** Om du bär elverktyget med fingret på strömbrytaren eller ansluter ett tillkopplat verktyg till nätströmmen kan en olycka inträffa.
- ▶ **Ta bort alla inställningsverktyg och skruvnycklar innan du kopplar in elverktyget.** Ett verktyg eller en nyckel i en roterande komponent kan leda till skador.
- ▶ **Undvik en onormal kroppshållning. Se till att du står stadigt och håller balansen.** Då kan du lättare kontrollera elverktyget i oväntade situationer.
- ▶ **Bär lämpliga kläder. Bär inte löst hängande kläder eller smycken. Håll håret, kläderna och handskarna på avstånd från rörliga delar.** Löst hängande kläder, smycken och långt hår kan dras in i roterande delar.
- ▶ **När du använder elverktyg med anordningar för uppsugning och uppsamling av damm, bör du kontrollera att dessa anordningar är rätt monterade och används korrekt.** Används en dammsugare kan faror som orsakas av damm minskas.
- ▶ **Invagga dig inte i falsk säkerhet och strunta inte säkerhetsreglerna för elverktyg även om du har stor vana vid att arbeta med elverktyget.** Oförsiktig hantering kan leda till allvarliga skador inom bråkdelar av en sekund.

Användning och hantering av elverktyg

- ▶ **Överbelasta inte verktyget. Använd elverktyg som är avsedda för det aktuella arbetet.** Med ett lämpligt elverktyg kan du arbeta bättre och säkrare inom angivet effektområde.



- ▶ **Använd aldrig elverktyget om strömbrytaren är defekt.** Ett elverktyg som inte kan kopplas in eller ur är farligt och måste repareras.
- ▶ **Dra ut elkontakten ur uttaget och/eller ta i förekommande fall bort det löstagbara batteriet innan du gör inställningar, byter tillbehör eller lägger ifrån dig verktyget.** Denna skyddsåtgärd förhindrar att du eller någon annan råkar sätta igång elverktyget av misstag.
- ▶ **Förvara elverktyg oåtkomligt för barn. Verktyget får inte användas av personer som inte är vana eller inte har läst dessa anvisningar.** Elverktyg är farliga om de används av oerfarna personer.
- ▶ **Underhåll elverktygen och tillbehören noggrant. Kontrollera att rörliga komponenter fungerar felfritt och inte kärvar och att komponenter inte har brustit eller skadats så att elverktygets funktion påverkas negativt. Se till att skadade delar repareras innan verktyget används igen.** Många olyckor orsakas av dåligt skötta elverktyg.
- ▶ **Håll insatsverktygen skarpa och rena.** Omsorgsfullt skötta insatsverktyg med skarpa egg kommer inte så lätt i kläm och går lättare att styra.
- ▶ **Använd elverktyg, tillbehör, insatsverktyg osv. enligt dessa anvisningar. Ta hänsyn till arbetsvillkoren och arbetsmomenten.** Används elverktyget på icke ändamålsenligt sätt kan farliga situationer uppstå.
- ▶ **Se till att handtaget och greppytorna är torra, rena och fria från olja och fett.** Med hala handtag och gripytor går det inte att hantera och kontrollera elverktyget säkert i oväntade situationer.

Service

- ▶ **Låt endast kvalificerad fackpersonal reparera elverktyget och använd då endast originalreservdelar.** Detta garanterar att elverktygets säkerhet upprätthålls.

2.2 Säkerhetsföreskrifter för hammare

Säkerhetsanvisningar för alla arbeten

- ▶ **Bär hörselskydd.** Buller kan leda till hörselskador.
- ▶ **Använd de extrahandtag som levereras tillsammans med verktyget.** Tappar du kontrollen över verktyget kan det leda till skador.
- ▶ **Håll i verktygets isolerade greppytorna vid arbeten där du riskerar att träffa dolda elkablar eller den egna nätkabeln.** Vid kontakt med en spänningssatt ledning kan metalldelar på verktyget spänningssättas och ge dig en stöt.

2.3 Extra säkerhetsföreskrifter

Personsäkerhet

- ▶ Använd verktyget bara om det är fullt funktionsdugligt.
- ▶ Manipulera eller ändra aldrig något på verktyget.
- ▶ Användaren och personer som befinner sig i närheten måste använda lämpliga skyddsglasögon, skyddshjälm, skyddshandskar och säkerhetsskor när verktyget används.
- ▶ Använd skyddshandskar vid byte av insatsverktyg eftersom dessa kanske fortfarande är heta.
- ▶ Vid genombrottsarbeten, tänk på att säkra området på motstående sida. Annars finns det risk för att det material som lossnar ramlar ner eller skjuter iväg och skadar människor i närheten.
- ▶ Kontrollera att sidohandtaget är korrekt monterat och ordentligt fastsatt. Håll alltid verktyget i handtagen med båda händerna. Se till att handtaget är torrt, rent och fritt från olja och fett.
- ▶ Gör pauser i arbetet och utför fingerövningar som ökar blodgenomströmningen i fingrarna. Vid långvarigt, ihållande arbete kan vibrationerna ge besvär i blodkärl och nerver i fingrarna, händerna och handlederna.
- ▶ Verktyget är inte avsett att användas av personer som saknar förmåga eller nödvändig kunskap.
- ▶ Använd inte verktyget när barn finns i närheten.
- ▶ Ta bort de dammpartiklar som har uppstått innan arbetet i riskklassen startas. Använd en bygdamm sugare med en standardskyddsklassificering som motsvarar de lokala dammskyddsbestämmelserna.
- ▶ Använd om möjligt dammsugning med en lämplig dammsugare. Damn från material med blyhaltig färg, vissa träslag, betong, tegel, sten som innehåller kvarts, mineraler och metall kan vara hälsovådliga.
- ▶ Se till att arbetsplatsen har god ventilation, och använd vid behov en andningsmask som är avsedd för damn av det aktuella slaget. Beröring eller inandning av damn kan orsaka allergiska reaktioner och/eller sjukdomar i andningsvägarna hos användaren eller hos personer som befinner sig i närheten. Vissa slags damn, till exempel från ek eller bok, anses vara cancerframkallande, särskilt i kombination med tillsatssämnen för behandling av trä (kromat, träskyddsmedel). Asbesthaltigt material får bara hanteras av särskilt utbildad personal.
- ▶ Be om godkännande från bygglagningen för arbeten som ska utföras. Arbete på byggnader och andra strukturer kan påverka statiken, framför allt vid kapning av armeringsjärn eller bärelement.

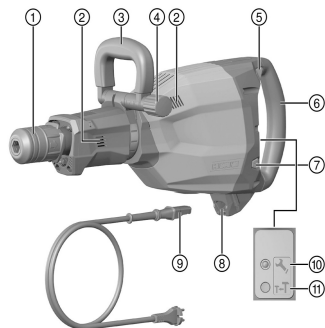


Elektrisk säkerhet

- ▶ Undersök om det finns dolda el-, gas- och vattenledningar inom arbetsområdet innan du påbörjar arbetet. Utanpåliggande metalldelar på verktyget kan orsaka elstötar om du oavsiktligt råkar skada en elledning.
- ▶ Kontrollera verktygets anslutningskabel regelbundet och låt en behörig fackman byta ut den om den är skadad. Om elverktygets anslutningskabel är skadad måste den bytas ut mot en för ändamålet avsedd och godkänd anslutningskabel som kan beställas via kundtjänst. Kontrollera förlängningskablarna regelbundet och byt ut dem om de är skadade. Rör inte vid nät- eller förlängningskabeln om den skadas under arbetet. Dra ut elkontakten ur uttaget. Skadade kablar och förlängningskablar utgör en risk för elstötar.
- ▶ Låt Hilti-service regelbundet kontrollera verktyg som har blivit smutsiga vid upprepade bearbetning av ledande material. Om verktyget är täckt med damm från ledande material eller om det är fuktigt kan du riskera att få en elektrisk stöt.
- ▶ Stäng av verktyget och dra ut elkontakten vid strömavbrott. Detta förhindrar att verktyget kopplas på av misstag när strömmen kommer tillbaka.

3 Beskrivning

3.1 Produktöversikt



- ① Chuck
- ② Ventilationsspringor
- ③ Sidohandtag
- ④ Knopp
- ⑤ Strömbrytare
- ⑥ Handtag
- ⑦ Effektreglage
- ⑧ Anslutning på elverktyg
- ⑨ Nätkabel med kodad, avtagbar kontakt
- ⑩ Serviceindikator
- ⑪ Effektindikering

3.2 Avsedd användning

Den produkt som beskrivs här är en eldriven mejselhammare för krävande mejslingsarbete. Den är avsedd för rivnings- och uppbnrytningsarbeten i betong, tegel, sten och asfalt.

- ▶ Använd bara verktyget anslutet till huvudnät med spänning och frekvens som stämmer överens med uppgifterna på verktygets typskylt.

3.3 Möjlig felanvändning

Produkten är inte anpassad för bearbetning av hälsovådliga material. Produkten är inte anpassad för drift i fuktiga miljöer.



3.4 Active Vibration Reduction (AVR)

Mejselhammaren är utrustad med ett Active Vibration Reduction (AVR)-system som minskar vibrationerna avsevärt.

3.5 Effektindikering

Mejselhammaren har effektindikering med ljussignal.

Genom att trycka på effektreglaget kan du minska mejslingseffekten till ca 70 %. Vid minskad effekt lyser effektindikeringen.

3.6 Serviceindikeringsläge

På mejselhammaren finns en serviceindikator med ljussignal.

Status	Betydelse
Serviceindikeringen lyser rött.	Drifftiden för service har uppnåtts. Verktyget är skadat.
Serviceindikeringen blinkar rött.	Överhettningsskydd. Strömförsörjningen har för hög spänning.



Se till att lämna in produkten till **Hilti**-service i tid. På så sätt vet du att produkten alltid är driftklar.

3.7 Leveransinnehåll

Mejselhammare, sidohandtag, bruksanvisning.

Dessutom finns fler godkända systemprodukter för din produkt både i närmaste **Hilti Store** och på nätet: www.hilti.group

4 Teknisk information

4.1 Mejselhammare



Märkspänning, märkström, frekvens och/eller märkeffekt finns angivet på den landsspecifika typskylten på ditt verktyg.

Om verktyget drivs via en generator eller transformator måste denna ha en uteffekt som är minst dubbelt så hög som den märkeffekt som finns angiven på verktygets typskylt. Transformatorns eller generatorns driftspänning måste alltid ligga inom +5 % och -15 % av verktygets märkspänning.

	TE 1000-AVR
Produktgeneration	02
Vikt enligt EPTA-procedure 01	12,5 kg
Enkelslagsenergi enligt EPTA Procedure 05	26 J

4.2 Bullerinformation och vibrationsvärden

De ljudtrycks- och vibrationsvärden som anges i anvisningarna har uppmätts med en standardiserad mätmetod och kan användas för att jämföra olika elverktyg med varandra. De kan också användas för att göra en preliminär uppskattning av exponeringarna.

De angivna värdena representerar elverktygets huvudsakliga användning. När elverktyget begagnas inom andra områden, med andra insatsverktyg eller med otillräckligt underhåll, kan mätning ge avvikande värden. Det innebär att exponeringen under den totala arbetstiden kan ökas betydligt.

För att uppskattningen av exponeringarna ska bli exakt bör man också räkna in de tider då elverktyget är avstängt eller då det är påslaget men inte används. Det kan betydligt minska exponeringen under den totala arbetstiden.

Vidta även andra säkerhetsåtgärder för att skydda användaren mot effekterna av buller och vibrationer, exempelvis: underhåll av elverktyg och insatsverktyg, möjlighet att hålla händerna varma, välorganiserade arbetsförlopp.



Detaljerad information om de versioner som tillämpas av **EN 62841**-standarderna hittar du på bilden av försäkran om överensstämmelse 177.

Bullervärden

Ljudeffektnivå (L_{WA})	96 dB(A)
Osäkerhet ljudeffektnivå (K_{WA})	3 dB(A)
Ljudtrycksnivå (L_{pA})	88 dB(A)
Osäkerhet ljudtrycksnivå (K_{pA})	3 dB(A)

Bullerinformation och vibrationsvärden

Bilning ($a_{h, Cheq}$)	5,9 m/s ²
Osäkerhet (K)	1,5 m/s ²

5 Användning

5.1 Förberedelser för arbete

FÖRSIKTIGHET

Risk för personskada! Oavsiktlig igångsättning av produkten.

- ▶ Dra alltid ur elsladden innan du gör några inställningar på verktyget eller byter tillbehördelar.

Observera de säkerhets- och varningsanvisningar som du hittar i dokumentationen och på själva enheten.

5.1.1 Montera och justera sidohandtaget

FÖRSIKTIGHET

Risk för personskada Förlust av kontroll över mejselhammaren.

- ▶ Kontrollera att sidohandtaget är korrekt monterat och ordentligt fastsatt.

- ▶ Montera eller justera sidohandtaget.



Se även beskrivningen som medföljer sidohandtaget.

5.1.2 Nätkabel med stickkontakt

FÖRSIKTIGHET

Risk för personskada på grund av läckström vid smutsiga kontakter.

- ▶ Se till att endast ansluta den löstagbara kontakten till elverktyget i rent, torrt och spänningslöst tillstånd.

- ▶ Ansluta/koppla från nätkabel med stickkontakt.

5.1.2.1 Ansluta nätkabel med stickkontakt

FÖRSIKTIGHET

Risk för personskada på grund av läckström vid smutsiga kontakter.

- ▶ Se till att endast ansluta den löstagbara kontakten till elverktyget i rent, torrt och spänningslöst tillstånd.

1. För in den kodade avtagbara nätkabeln så långt det går i verktyget tills du hör att spärran hakar i.



Vi rekommenderar att du alltid låter kabeln sitta kvar i verktyget för att skydda gränssnittet mellan verktyg/kabel mot damm och fukt. Kabeln ska endast dras ur ifall den har gått av eller skadats.

2. Stick in elkontakten i uttaget.

5.1.2.2 Dra ut nätkabel ur elverktyg

1. Dra ut elkontakten ur uttaget.
2. Tryck ner låsningsknappen och dra ut den kodade, avtagbara nätkabeln.
3. Dra ut nätkabeln ur verktyget.



5.1.3 Byta insatsverktyg 3

1. Fetta in insticksänden på insatsverktyget en aning.
2. Sätt insatsverktyget i chucken och vrid det samtidigt som du trycker det lätt inåt tills det låser.
 - ▶ Nu är produkten färdig att användas.



Använd endast originalfett från **Hilti**. Användning av olämpligt fett kan orsaka skador på produkten.

5.1.4 Ta ur insatsverktyg 3



VARNING

Risk för personskada Verktöget blir varmt när det används och kan ha vassa kanter.

- ▶ Använd skyddshandskar vid verktygsbyte.



FARA

Brandfara Fara vid kontakt mellan det heta verktyget och lättantändliga material.

- ▶ Ställ inte det heta verktyget på lättantändligt material.

1. Dra tillbaka chucken.
2. Ta ur insatsverktyget.

5.2 Arbeta



FÖRSIKTIGHET

Risk för skador till följd av felaktig hantering!

- ▶ Använd inte rotationsriktningsomställaren och/eller funktionsväljaren under drift.

Observera de säkerhets- och varningsanvisningar som du hittar i dokumentationen och på själva enheten.

5.2.1 Mejsling 4



Mejseln kan låsas fast i 6 olika lägen (i steg om 60°). Därigenom kan man alltid hitta en optimal arbetsställning vid arbete med flat- eller formmejsel.

Ett för lågt anpressningstryck gör att mejseln hoppar. Ett för högt anpressningstryck leder till försämrad mejslingseffekt.

1. Stick in kabeln i uttaget.
2. Påbörja mejslingen cirka 80–100 mm (3 1/8"–4") från kanten.
3. Påbörja mejslingen i en vinkel på mellan 70° och 80° mot betongytan och rikta spetsen mot kanten. Ändra sedan vinkeln till 90° och bryt loss materialet.
 - ▶ Vid armeringsjärn, för alltid mejseln mot kanten på materialet, inte mot armeringsjämet.
4. Vrid regelbundet på mejseln, eftersom ett jämnt slitage främjar självslipningen.

5.2.2 Ställ in mejslingseffekt

- ▶ Tryck på effektreglaget.
 - ▶ Genom att trycka på effektreglaget kan du minska mejslingseffekten till ca 70 %.



Mejslingseffekten kan bara ställas in medan verktyget används. Trycker du en gång till på effektreglaget körs verktyget med full mejslingseffekt igen. Likaså återställs full mejslingseffekt om du stänger av verktyget och sedan sätter på det igen.

6 Skötsel och underhåll



VARNING

Risk för elstötar! Vid skötsel och underhåll finns risk för svåra person- och brännskador om elkontakten inte dras ur.

- ▶ Dra alltid ur elkontakten före skötsel- och underhållsarbete.



Skötsel

- Ta försiktigt bort smuts som fastnat på laddaren.
- Rengör ventilationsspringorna försiktigt med en torr borste.
- Rengör höljet med en lätt fuktad trasa. Använd inte rengöringsmedel med silikon, eftersom det kan skada plastdelarna.

Underhåll

VARNING

Risk för elstöt! Felaktigt utförda reparationer på elektriska delar kan leda till svåra skador och brännskador.

- ▶ Reparationer på de elektriska delarna får endast utföras av behörig fackman.
- Kontrollera regelbundet att inga synliga delar har skadats och att alla reglage fungerar som de ska.
- Använd inte produkten om den uppvisar skador eller funktionsstörningar. Skicka den direkt till **Hilti Service** för reparation.
- Efter att skötsel- och underhållsarbete utförts ska alla skyddsanordningar alltid monteras och kontrolleras.



Använd endast originalreservdelar och förbrukningsmaterial för säker drift. Godkända reservdelar, förbrukningsmaterial och tillbehör till din produkt från oss hittar du i närmaste **Hilti Store** eller på: www.hilti.group.

6.1 Rengöring av dammskyddskåpan

- ▶ Rengör regelbundet dammskyddet på chucken med en ren, torr torkduk.
- ▶ Torka försiktigt läpptätningen ren och fetta på nytt in den lätt med **Hilti-fett**.
- ▶ Byt ut dammskyddet om läpptätningen har skadats.

7 Transport och förvaring

- Transportera inte elverkytet med monterat insatsverktyg.
- Förvara alltid elverkytet med nätsladden urdragen.
- Förvara verktyget torrt och utom räckhåll för barn och obehöriga personer.
- Kontrollera alltid att elverkytet inte uppvisar några skador innan du använder det första gången efter en längre tids transport eller förvaring.

8 Felsökning

Kontakta **Hilti Service** om det uppstår ett fel som inte finns med i den här tabellen eller som du inte lyckas åtgärda på egen hand.

8.1 Felsökning

Fel	Möjlig orsak	Lösning
Verktyget startar inte.	Elektroniken initieras (i ca 4 sekunder efter det att kontakten anslutits). Den elektroniska startspärren efter strömavbrott har aktiverats.	▶ Stäng av verktyget och slå sedan på det igen.
	Strömförsörjningen är bruten.	▶ Koppla in ett annat elverktyg och se om det fungerar.
	Generator i viloläge.	▶ Belasta generatormen med ett andra belastningsobjekt (t.ex. en bygglampa). Stäng sedan av verktyget och sätt på det igen.
	Felaktigt ansluten nätkabel med stickkontakt.	▶ Anslut nätkabeln korrekt till elverkytet.
Serviceindikeringen lyser rött.	Skador på verktyget eller drifttiden för service har uppnåtts.	▶ Låt endast Hilti kundservice reparera produkten.
Serviceindikeringen blinkar rött.	Strömförsörjningen har för hög spänning.	▶ Byt vägguttag. Kontrollera nätet.



Fel	Möjlig orsak	Lösning
Serviceindikeringen blinkar rött.	Överhettningsskydd.	► Låt verktyget svalna. Rengör ventilasjonsspringorna. Tomgångsdrift är fortfarande möjlig.
Inget slag.	Verktyget är för kallt.	► Lägg mejselhammaren på underlaget och låt den gå på tomgång. Upprepa detta om så krävs, tills slagmekanismen kommer igång.
Verktyget har inte full effekt.	Effektminskning är aktiverad.	► Tryck på effektreglaget (titta på effektindikeringen). Dra ut verktyget och stick in det igen.
	Förlängningskabeln är alltför lång och/eller har alltför liten area.	► Använd en förlängningskabel med tillåten längd och med tillräcklig area.
	Strömkällan har för låg spänning.	► Anslut verktyget till en annan strömkälla.
Det går inte att ta ut mejseln ur låset.	Chucken har inte skjutits tillbaka helt.	► Dra tillbaka chuckhylsan så långt det går och ta ut insatsverktyget.
Verktyget stängs av under drift.	Överhettningsskydd.	► Låt verktyget svalna. Rengör ventilasjonsspringorna. Tomgångsdrift är fortfarande möjlig.

9 Avfallshantering

Hilti-verktyg är till stor del tillverkade av återvinningsbara material. En förutsättning för återvinning är att materialen separeras på rätt sätt. I många länder kan du lämna in ditt uttjänta verktyg så att **Hilti** tar hand om det. Hör efter med **Hiltis** kundtjänst eller din kontaktperson.



- Kasta inte elverktyg, elektronisk apparatur och batterier i hushållssoporna.

10 RoHS (Richtlinie zur Beschränkung der Verwendung gefährlicher Stoffe)

Under följande länk hittar du tabellen med farliga ämnen: qr.hilti.com/r9672135.

En länk till RoHS-tabellen finns i slutet av den här dokumentationen som QR-kod.

11 Tillverkargaranti

- Vänd dig till din lokala **Hilti**-representant om du har frågor om garantivillkoren.

Original bruksanvisning

1 Informasjon om bruksanvisningen

1.1 Om denne bruksanvisningen

- **Advarsel!** Før du tar i bruk produktet må du sørge for å ha lest og forstått den medfølgende bruksanvisningen, herunder instruksjonene, sikkerhets- og varselinformasjon, illustrasjoner og spesifikasjoner. Gjør deg særlig kjent med alle instruksjoner, sikkerhets- og varselinformasjon, illustrasjoner, spesifikasjoner samt deler og funksjoner. Ved manglende overholdelse er det fare for elektrisk støt, brann og/eller for alvorlige personskader. Oppbevar bruksanvisningen med alle instruksjoner, sikkerhets- og varselinformasjon for senere bruk.
- **HILTI**-produkter er laget for profesjonell bruk og må kun brukes, vedlikeholdes og repareres av kyndig personale. Dette personalet må informeres spesielt om eventuelle farer som kan oppstå. Produktet og tilleggsutstyret kan utgjøre en fare hvis det betjenes av ukvalifisert personale eller ikke brukes på tiltenkt måte.



- Den medfølgende bruksanvisningen er i tråd med det aktuelle tekniske nivået på trykktidspunktet. Du finner alltid den mest oppdaterte versjonen på nettet på Hiltis produktside. Følg lenken eller QR-koden i denne bruksanvisningen, merket med symbolet
- Pass på at bruksanvisningen følger med produktet når det overlates til andre personer.

1.2 Symbolforklaring

1.2.1 Farehenvvisninger

Farehenvvisninger advarer mot farer under håndtering av produktet. Følgende signalord brukes:

FARE

FARE !

- ▶ For en umiddelbart truende fare som kan føre til alvorlige personskader eller død.

ADVARSEL

ADVARSEL !

- ▶ Varsler en mulig fare som kan føre til alvorlige personskader eller død.

FORSIKTIG

FORSIKTIG !

- ▶ Varsler om en mulig farlig situasjon som kan føre til personskade eller materiell skade.

1.2.2 Symboler i bruksanvisningen

Følgende symboler benyttes i denne bruksanvisningen:

	Følg bruksanvisningen
	Bruksanvisninger og andre nyttige opplysninger
	Håndtering av resirkulerbare materialer
	Ikke kast elektriske apparater eller batterier i husholdningsavfallet

1.2.3 Symboler i illustrasjoner

Følgende symboler brukes i illustrasjonene:

	Disse tallene viser til illustrasjonen i begynnelsen av denne bruksanvisningen.
	Nummereringen i illustrasjoner henviser til viktige arbeidstrinn eller viktige komponenter for arbeidstrinnene. I teksten i blir disse arbeidstrinnene eller komponentene markert med tilhørende numre, f.eks. (3) .
	Posisjonsnumrene brukes i illustrasjonen Oversikt og henviser til numrene på teksten i avsnittet Produktoversikt .
	Dette symbolet betyr at håndtering av produktet krever stor grad av oppmerksomhet.

1.3 Symboler på produktet

1.3.1 Symboler på produktet

Følgende symboler brukes på produktet:

	Beskyttelsesklasse II (dobbelisolert)
--	---------------------------------------



2.1 Generelle sikkerhetsregler for elektroverktøy

⚠ ADVARSEL Les alle sikkerhetsanvisninger, instruksjoner, illustrasjoner og tekniske data som elektroverktøyet er utstyrt med. Manglende overholdelse av anvisningene nedenfor kan medføre elektrisk støt, brann og/eller alvorlige personskader.

Overhold alle sikkerhetsanvisninger og instruksjoner i hele bruksperioden.

Begrepet "elektroverktøy" som er brukt i sikkerhetsanvisningene, viser til nettdrevne elektroverktøy (med nettkabel) eller til batteridrevne elektroverktøy (uten nettkabel).

Sikkerhet på arbeidsplassen

- ▶ **Hold arbeidsområdet rent og godt opplyst.** Rotete eller dårlig belyste arbeidsområder kan føre til ulykker.
- ▶ **Bruk ikke elektroverktøyet i eksplosjonsfarlige omgivelser hvor det befinner seg brennbare flytende stoffer, gasser eller støv.** Elektroverktøy lager gnister som kan antenne støv eller damp.
- ▶ **Hold barn og andre personer på sikker avstand mens elektroverktøyet brukes.** Hvis du blir forstyrret under arbeidet, kan du miste kontrollen over verktøyet.

Elektrisk sikkerhet

- ▶ **Elektroverktøyets støpsel må passe i stikkontakten. Støpselet må ikke forandres på noen som helst måte. Bruk ikke adapterkontakt på jordete elektroverktøy.** Uendrede støpsler og egnede stikkontakter minsker risikoen for elektrisk støt.
- ▶ **Unngå kroppskontakt med jordete overflater som rør, radiatorer, komfyrer eller kjøleskap.** Risikoen for elektriske støt er høyere når kroppen er jordet.
- ▶ **Hold elektroverktøyet unna regn og fuktighet.** Risikoen for elektrisk støt øker ved inntrenging av vann i et elektroverktøy.
- ▶ **Bruk ikke ledningen til å bære elektroverktøyet, henge det opp eller til å dra støpselet ut av stikkontakten. Hold ledningen unna varme, olje, skarpe kanter og deler som beveger seg.** Skadde eller sammenviklede ledninger øker risikoen for elektriske støt.
- ▶ **Bruk kun skjøteledninger som også er godkjent for utendørs bruk når du arbeider med et elektroverktøy utendørs.** Bruk av skjøteledning som er egnet til utendørs bruk, minsker risikoen for elektrisk støt.
- ▶ **Må elektroverktøyet brukes i fuktige omgivelser, er det nødvendig å bruke en jordfeilbryter.** Bruk av en jordfeilbryter reduserer risikoen for elektrisk støt.

Personsikkerhet

- ▶ **Vær oppmerksom, pass på hva du gjør, og gå fornuftig fram under arbeidet med et elektroverktøy. Ikke bruk elektroverktøy når du er trøtt eller påvirket av narkotika, alkohol eller medikamenter.** Et øyeblikks uoppmerksomhet ved bruk av elektroverktøyet kan være nok til å forårsake alvorlige personskader.
- ▶ **Bruk alltid personlig verneutstyr og vernebriller.** Bruk av personlig verneutstyr som støvmaske, sklislisikre vernesko, hjelm eller hørselsvern – avhengig av type og bruk av elektroverktøyet – reduserer risikoen for skader.
- ▶ **Unngå utilsiktet start. Forsikre deg om at elektroverktøyet er slått av før du setter i stikkontakten eller batteriet og før du løfter eller flytter elektroverktøyet.** Hvis du holder fingeren på bryteren når du bærer elektroverktøyet, eller kobler elektroverktøyet til strøm i innkoblet tilstand, kan dette føre til uhell.
- ▶ **Fjern justeringsverktøy og skrunøkkel før du slår på elektroverktøyet.** Et verktøy eller en nøkkel som befinner seg i en roterende maskindel, kan føre til skader.
- ▶ **Unngå u hensiktsmessige arbeidsposisjoner. Sørg for å stå stødig og i balanse.** Dermed kan du kontrollere elektroverktøyet bedre i uventede situasjoner.
- ▶ **Bruk egnede klær. Ikke bruk vide klær eller smykker. Hold hår, tøy og hansker unna deler som beveger seg.** Løstsittende tøy, smykker eller langt hår kan komme inn i deler som beveger seg.
- ▶ **Hvis det er monteret støvavsugs- og oppsamlingsinnretninger, må det kontrolleres at disse er koblet til og blir brukt på riktig måte.** Bruk av støvavsug kan redusere faremomentene i forbindelse med støv.
- ▶ **Ikke føl deg for trygg og ikke bryt sikkerhetsreglene for elektroverktøy, heller ikke når du etter lang tids bruk er blitt fortrolig med elektroverktøyet.** Et øyeblikks uaktsomhet kan føre til alvorlige personskader.

Bruk og behandling av elektroverktøyet

- ▶ **Ikke overbelast verktøyet. Bruk et elektroverktøy som er beregnet til den type arbeid du vil utføre.** Med et passende elektroverktøy arbeider du bedre og sikrer i det angitte effektområdet.



- ▶ **Ikke bruk elektroverktøy med defekt bryter.** Et elektroverktøy som ikke lenger kan slås av eller på, er farlig og må repareres.
- ▶ **Dra ut støpselet fra stikkkontakten og/eller ta ut et uttakbart batteri før du foretar maskininnstillinger, bytter tilleggsgutstyr eller legger bort verktøyet.** Disse tiltakene forhindrer utilsikket start av elektroverktøyet.
- ▶ **Oppbevar elektroverktøy som ikke brukes, utenfor barns rekkevidde. La ikke personer som ikke er fortrolige med verktøyet eller ikke har lest disse instruksjonene, bruke verktøyet.** Elektroverktøy er farlige når de brukes av uerfarne personer.
- ▶ **Sørg for grundig stell og vedlikehold av elektroverktøyet med tilbehør. Kontroller at bevegelige deler på elektroverktøyet fungerer feilfritt og ikke klemmes fast, og at ingen deler er brukt eller skadet, slik at dette innvirker på elektroverktøyet funksjon. La skadde deler repareres før elektroverktøyet brukes.** Mange ulykker er et resultat av dårlig vedlikeholdte elektroverktøy.
- ▶ **Hold skjæreverktøy skarpe og rene.** Godt vedlikeholdte skjæreverktøy med skarpe skjærekanter blir sjeldnere fastklemt og er lettere å styre.
- ▶ **Bruk elektroverktøy, tilbehør, arbeidsverktøy osv. i overensstemmelse med denne anvisningen. Ta hensyn til arbeidsforholdene og arbeidet som skal utføres.** Bruk av elektroverktøy til andre formål enn det som er angitt, kan føre til farlige situasjoner.
- ▶ **Hold håndtak og gripeflater tørre, rene og frie for olje og fett.** Glatte håndtak og gripeflater gir ikke sikker betjening og kontroll av elektroverktøyet i uforutsette situasjoner.

Service

- ▶ **Elektroverktøyet må kun repareres av kvalifisert fagpersonale og kun med originale reservedeler.** Slik opprettholdes elektroverktøyet sikkerhet.

2.2 Sikkerhetsanvisninger for borhammere

Sikkerhetsanvisninger for alt arbeid

- ▶ **Bruk hørselsvern.** Påvirkning av støy kan føre til hørselstap.
- ▶ **Bruk håndtakene som leveres med maskinen.** Tap av kontroll kan føre til skader.
- ▶ **Hold maskinen i de isolerte håndtaksflatene når du utfører arbeid der verktøybits kan komme i kontakt med skjulte strømledninger.** Kontakt med en spenningsførende ledning kan også sette maskinens metalldele under spenning og føre til elektrisk støt.

2.3 Ytterligere sikkerhetsanvisninger

Personsikkerhet

- ▶ Bruk produktet bare i teknisk feilfri stand.
- ▶ Ikke foreta manipulering eller modifisering på maskinen.
- ▶ Brukeren og personer i umiddelbar nærhet må alltid bruke vernebriller, hjelm, hørselsvern, arbeidshansker og vernesko når maskinen er i bruk.
- ▶ Bruk vernehansker når du bytter verktøy, ettersom verktøyet blir varmt ved bruk.
- ▶ Ved gjennombruddsarbeider må området på den andre siden sikres. Deler som brytes ut, kan falle ut og/eller ned og skade andre personer.
- ▶ Kontroller at sidehåndtaket er riktig montert og forskriftsmessig festet. Hold alltid maskinen fast med begge hendene i de to håndtakene. Hold håndtakene tørre, rene og fri for olje og fett.
- ▶ Ta pauser i arbeidet og gjør øvelser for å sikre bedre blodsirkulasjon i fingrene. Ved langvarig arbeid kan det oppstå skader på blodkar eller nervesystemet i fingre, hender eller håndledd.
- ▶ Maskinen er ikke beregnet for svake personer uten opplæring.
- ▶ Sørg for at maskinen ikke er tilgjengelig for barn.
- ▶ Før arbeidet påbegynnes, må du bringe på det rene hvilken fareklasse støvmaterialet som oppstår, tilhører. Bruk en byggstøvsuger med offisiell beskyttelsesklassifisering sammen med maskinen. Maskinen må oppfylle lokale støvbeskyttelseskrav.
- ▶ Bruk hvis mulig støvavsug og en egnet mobil støvsuger. Støv fra materialer som blyholdig maling, enkelte tresorter, betong/mur/stein som inneholder kvarts, mineraler og metaller kan være helseskadelig.
- ▶ Sørg for god ventilasjon på arbeidsplassen, og bruk eventuelt åndedrettsvern tilpasset den aktuelle typen støv. Berøring eller innånding av slike typer støv kan fremkalle allergiske reaksjoner og/eller luftveissykdommer hos brukeren og andre personer som oppholder seg i nærheten. Bestemte typer støv som eikestøv eller bøkstøv regnes som kreftfremkallende, særlig i forbindelse med stoffer for trebehandling (kromat, trepleiemidler). Asbestholdige materialer skal kun håndteres av kvalifisert personell.



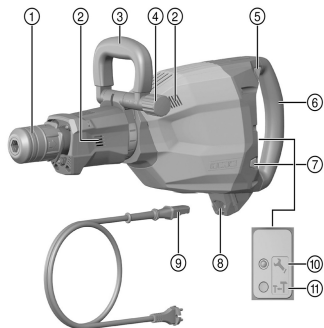
- ▶ La byggeledelsen godkjenne arbeidene. Boring i bygninger og andre strukturer kan påvirke statikken, særlig ved kapping av armeringsjern og bærende elementer.

Elektrisk sikkerhet

- ▶ Kontroller før arbeidet påbegynnes at det ikke finnes skjulte strømledninger, gass- eller vannrør i arbeidsområdet. Utvendige metaldeler på maskinen kan forårsake elektrisk støt hvis du utilsiktet skulle skade en strømledning.
- ▶ Kontroller maskinens tilførselsledning regelmessig, og sørg for at den blir skiftet av fagfolk hvis den blir skadd. Hvis elektroverktøyets ledning er skadd, må den skiftes ut med en godkjent, spesielt utformet ledning som kan skaffes via kundeservice. Kontroller skjøteledninger regelmessig, og skift dem ut hvis de blir skadde. Ikke ta på ledningen hvis den skades under arbeid. Koble fra ledningen. Skader på ledninger og skjøteledninger innebærer fare for elektrisk støt.
- ▶ La tilsmussede maskiner som ofte brukes til bearbeiding av ledende materialer, kontrolleres regelmessig av **Hilti** service. Støv, særlig av ledende materialer, som setter seg fast på maskinens overflate, eller fuktighet kan under ugunstige forhold føre til elektrisk støt.
- ▶ Slå av maskinen og trekk ut kontakten ved strømbrudd. Dette hindrer utilsiktet start av maskinen når strømmen kommer tilbake.

3 Beskrivelse

3.1 Produktoversikt



- ① Chuck
- ② Ventilasjonsåpninger
- ③ Sidehåndtak
- ④ Knott
- ⑤ Av/på-bryter
- ⑥ Håndtak
- ⑦ Effektvalgbytter
- ⑧ Kontakt på elektroverktøy
- ⑨ Strømledning med kodet, avtakbar plugg-kontakt
- ⑩ Serviceindikator
- ⑪ Effektvalgindikator

3.2 Forskriftsmessig bruk

Det beskrevne produktet er en elektrisk drevet meiselhammer for tung meisling.

Den er beregnet til piggarbeid i betong, mur, stein og asfalt.

- ▶ Bruk maskinen kun når den er knyttet til hovedledning med en spenning og frekvens som er i overensstemmelse med informasjonen på typeskiltet.

3.3 Mulig feilbruk

Dette produktet er ikke beregnet til arbeid med helsefarlige materialer.



Dette produktet er ikke beregnet til arbeid i fuktige omgivelser.

3.4 Active Vibration Reduction (AVR)

Meiselhammeren er utstyrt med et Active Vibration Reduction (AVR)-system som reduserer vibrasjonen betraktelig.

3.5 Effekvalgindikator

Meiselhammeren er utstyrt med en effekvalgindikator med lyssignal.

Meiselkapasiteten kan reduseres til ca. 70 % ved å trykke på effekvalgbyteren. Effekvalgindikatoren lyser ved redusert effekt.

3.6 Serviceindikatorens tilstand

Meiselhammeren er utstyrt med en serviceindikator med lyssignal.

Tilstand	Betydning
Serviceindikatoren lyser rødt.	Maskinens driftstid før en service er nådd. Skader på maskinen.
Serviceindikatoren blinker rødt.	Overopphetingsvern. Strømtilførsel har for høy spenning.



Lever produktet inn til **Hilti** service i god tid. Da er det alltid klart til bruk.

3.7 Dette inngår i leveransen:

meiselhammer, sidehåndtak, bruksanvisning.

I tillegg finner du godkjente systemprodukter til produktet hos nærmeste **Hilti Store** eller under: www.hilti.group

4 Tekniske data

4.1 Meiselhammer



Merkespenning, merkestrøm, frekvens og/eller nominell inngangseffekt står på typeskiltet for ditt land.

Ved drift med generator eller transformator må generatorens eller transformatorens utgangseffekt være minst dobbelt så stor som den nominelle inngangseffekten som er oppgitt på maskinens typeskilt. Driftsspenningen for transformatoren eller generatoren må alltid ligge innenfor +5 % og -15 % av merkespenningen for maskinen.

	TE 1000-AVR
Produktgenerasjon	02
Vekt i henhold til EPTA-prosedyre 01	12,5 kg
Enkeltslagenergi ifølge EPTA-prosedyre 05	26 J

4.2 Støyinformasjon og vibrasjonsverdier

Lydtrykk- og vibrasjonsverdiene som er angitt i denne bruksanvisningen, er målt i samsvar med en normert målemetode og kan brukes til sammenligning av elektroverktøy. De egner seg også til en foreløpig vurdering av eksponeringene.

De angitte dataene representerer de viktigste bruksområdene for elektroverktøyet. Men hvis elektroverktøyet brukes til andre formål, med avvikende innsatsverktøy eller med utilstrekkelig vedlikehold, kan dataene avvike. Dette kan øke eksponeringene betraktelig gjennom hele arbeidsperioden.

For å få en nøyaktig vurdering av eksponeringene må man også ta hensyn til tidsrommene da elektroverktøyet er slått av eller er i gang, men ikke i bruk. Dette kan redusere eksponeringene betraktelig gjennom hele arbeidsperioden.



Fastsett ekstra sikkerhetstiltak for å beskytte operatøren mot effekten av støy og/eller vibrasjoner, for eksempel: Vedlikehold av elektroverktøy og innsatsverktøy, holde hendene varme, organisering av arbeidsprosesser.



Du finner nærmere informasjon om hvilke versjoner av **EN 62841**-standardene som er benyttet på bildet av samsvarserklæringen 177.

Støyutslippsverdier

Lydeffektnivå (L_{WA})	96 dB(A)
Usikkerhet lydeffektnivå (K_{WA})	3 dB(A)
Avgitt lydtryknivå (L_{pA})	88 dB(A)
Usikkerhet lydtryknivå (K_{pA})	3 dB(A)

Støyinformasjon og vibrasjonsverdier

Meisling ($a_{h, Ched}$)	5,9 m/s ²
Usikkerhet (K)	1,5 m/s ²

5 Betjening

5.1 Klargjøring til arbeidet



FORSIKTIG

Fare for personskader! Utilsiktet start av produktet.

- ▶ Trekk støpselet ut av stikkkontakten før du foretar maskininnstillinger eller skifter tilbehørsdeler.

Følg sikkerhetshenvisningene og advarslene i denne dokumentasjonen og på produktet.

5.1.1 Montering og justering av sidehåndtaket



FORSIKTIG

Fare for personskader Tap av kontroll over meiselhammeren.

- ▶ Kontroller at sidehåndtaket er riktig montert og forskriftsmessig festet.

- ▶ Monter eller juster sidehåndtaket.



Følg også beskrivelsen som følger med sidehåndtaket.

5.1.2 Avtakbar nettkabel



FORSIKTIG

Fare for personskader på grunn av krypestrøm på skitne kontakter.

- ▶ Den avtakbare pluggkontakten må være ren, tørr og spenningsfri når den skal kobles til elektroverktøyet.

- ▶ Koble til/fra den innstikkbare nettkabelen.

5.1.2.1 Koble til avtagbar nettleddning



FORSIKTIG

Fare for personskader på grunn av krypestrøm på skitne kontakter.

- ▶ Den avtakbare pluggkontakten må være ren, tørr og spenningsfri når den skal kobles til elektroverktøyet.

1. Skyv den kodede, avtagbare pluggforbindelsen helt inn i enheten til den smekker hørbart på plass.



Vi anbefaler å alltid ha ledningen festet til maskinen for å beskytte grensesnittet verktøy/ledning mot støv og fuktighet. Ledningen bør bare tas av i tilfelle brudd/skade.

2. Sett nettstøpslet inn i stikkkontakten.



5.1.2.2 Koble den avtakbare strømledningen fra elektroverktøyet

1. Trekk støpslet ut av stikkkontakten.
2. Trykk på låseknappen, og trekk ut den kodete, avtakbare pluggkontakten.
3. Trekk strømledningen ut av maskinen.

5.1.3 Sette i innsatsverktøy

1. Smør innstikkenden til innsatsverktøyet med litt fett.
2. Sett innsatsverktøyet inn i chucken og vri det med lett mottrykk, inntil det festes hørbart.
 - ▶ Produktet er klart til bruk.



Bruk bare originalfett fra Hilti. Bruk av uegnet fett kan føre til skade på produktet.

5.1.4 Ta ut innsatsverktøyet



ADVARSEL

Fare for personskader Verktøyet blir varmt under bruk og kan ha skarpe kanter.

- ▶ Bruk vernehansker ved skifte av verktøy.



FARE

Brennfare! Fare ved kontakt mellom varmt verktøy og lett antennelige materialer.

- ▶ Ikke legg et varmt verktøy på lett antennelige materialer.

1. Trekk chucken tilbake.
2. Ta ut verktøyet.

5.2 Arbeid



FORSIKTIG

Fare for materiell skade på grunn av feilhåndtering!

- ▶ Ikke betjen bryteren for rotasjonsretning og/eller funksjonsvalg under drift.

Følg sikkerhetshenvisningene og advarslene i denne dokumentasjonen og på produktet.

5.2.1 Meisling



Meiselen kan sperres i 6 ulike posisjoner (i trinn på 60°). Derfor kan man alltid finne den optimale arbeidsstillingen når man jobber med flat- og formmeisel.

For lavt presstrykk fører til at meiselen hopper. For høyt presstrykk fører til at meiseeffekten blir mindre.

1. Sett støpslet inn i stikkkontakten.
2. Sett an meiselen cirka 80-100 mm (3 1/8" - 4") fra kanten.
3. Begynn meislingen med en vinkel på 70° til 80° til betongoverflaten og rett spissen mot kanten. Beveg deretter vinkelen i retning 90° og brekk av materialet.
 - ▶ I armeringsjern føres alltid meiselen mot kanten av materialet, ikke mot armeringsjernet.
4. Drei meiselen regelmessig, ettersom jevn nedslitthet støtter selvslipingsprosessen.

5.2.2 Stille inn meiseeffekten

- ▶ Trykk på effektvalgryteren.
 - ▶ Meiselkapasiteten kan reduseres til ca. 70 % ved å trykke på effektvalgryteren.



Meiselkapasiteten kan bare stilles inn i innkoblet driftstilstand. Full meiselkapasitet blir tilgjengelig igjen ved å trykke på effektvalgryteren en gang til. Full meiselkapasitet vil også være tilgjengelig hvis maskinen slås av og på igjen.



6 Service og vedlikehold

ADVARSEL

Fare for elektrisk støt! Stell og vedlikehold med isatt nettstøpsel kan føre til alvorlige personskader og forbrenninger.

- Før alt stell og vedlikeholdsarbeid må nettstøpslet trekkes ut!

Pleie

- Fjern gjenstridig smuss forsiktig.
- Bruk en tørr børste for å rengjøre ventilasjonsåpningene forsiktig.
- Rengjør huset bare med en lett fuktet klut. Ikke bruk silikonholdige pleiemiddel, da dette kan angripe plastdelene.

Vedlikehold

ADVARSEL

Fare for elektrisk støt! Ufagmessige reparasjoner på elektriske komponenter kan føre til alvorlig personskade og forbrenninger.

- Elektriske deler på maskinen må kun repareres av fagfolk.
- Kontroller alle synlige deler regelmessig mht. skade og alle betjeningselementene mht. feilfri funksjon.
- Ved skader og/eller funksjonsfeil må produktet ikke brukes. Få maskinen reparert av **Hilti** service snarest mulig.
- Etter stell- og vedlikeholdsarbeid må alle beskyttelsesinnretninger monteres, og det må foretas funksjonskontroll av dem.



Av hensyn til sikkerheten må du bare bruke originale reservedeler og forbruksmaterialer. Reservedeler, forbruksmaterialer og tilbehør til produktet, som er godkjent av oss, finner du hos **Hilti Store** eller under: www.hilti.group.

6.1 Rengjøring av støvbeskyttelseskappen

- Rengjør støvbeskyttelseskappen på chucken med en ren, tørr klut.
- Tørk pakningen forsiktig ren og smør den inn med litt **Hilti**-smørefett.
- Støvbeskyttelseskappen må alltid byttes hvis pakningen er skadet.

7 Transport og lagring

- Elektroverktøyet må ikke transporteres med isatt verktøy.
- Oppbevar alltid elektroverktøy med uttrukket nettstøpsel.
- Oppbevar maskinen tørt og utenfor barns og uvedkommendes rekkevidde.
- Etter lang transport eller lengre tids oppbevaring må elektroverktøyet kontrolleres mht. skade før bruk.

8 Feilsøking

Ved feil som ikke står i denne tabellen eller som du selv ikke kan rette opp, må du kontakte **Hilti** Service.

8.1 Feilsøking

Feil	Mulig årsak	Løsning
Maskinen starter ikke.	Initialisering av elektronikken pågår (i ca. 4 sekunder fra kontakten settes inn). Den elektroniske start-sperren er aktivert etter et strømbrudd.	► Slå maskinen av og på igjen.
	Spenningstilførselen er brutt.	► Sett på et annet elektroverktøy og kontroller funksjonen.
	Dynamo i Sleep Mode.	► Belast dynamoen med en andre forbruker (f.eks. byggglampe). Slå deretter maskinen av og på igjen.



Feil	Mulig årsak	Løsning
Maskinen starter ikke.	Den innstikkbare nettkabelen ikke riktig satt i.	► Koble den innstikkbare nettkabelen riktig til elektroverktøyet.
Serviceindikatoren lyser rødt.	Skader på maskinen, eller maskinens driftstid før en service er nådd.	► Få alltid produktet reparert av Hilti service.
Serviceindikatoren blinker rødt.	Strømtilførsel har for høy spenning.	► Skift ut stikkkontakten. Kontroller strømmettet.
	Overopphetingsvern.	► La verktøyet kjøles av. Rengjør ventilasjonsåpningene. Drift på tomgang er fremdeles mulig.
Slageeffekt uteblir.	Maskinen er for kald.	► Sett meiselhammeren på underlaget og la den gå på tomgang. Gjenta hvis nødvendig til slagverket arbeider.
Maskinen yter ikke maksimalt.	Effektreduksjon aktivert.	► Betjen effektvalgryteren (se effektvalgindikator). Koble maskinen fra og til igjen.
	Skjøteledning for lang og/eller med for lite tverrsnitt.	► Bruk en skjøteledning med tillatt lengde og/eller med tilstrekkelig tverrsnitt.
	Strømtilførsel har for lav spenning.	► Koble maskinen til en annen strømtilførsel.
Meiselen løsner ikke fra chucken.	Chucken er ikke trukket helt tilbake.	► Trekk verktøysperren tilbake så langt det går, og ta ut verktøyet.
Maskinen slår seg av under bruk.	Overopphetingsvern.	► La verktøyet kjøles av. Rengjør ventilasjonsåpningene. Drift på tomgang er fremdeles mulig.

9 Avhending

Hilti maskiner er i stor grad laget av resirkulerbart materiale. En forskriftsmessig materialsortering er en forutsetning for resirkulering. I mange land tar **Hilti** din gamle maskin i retur. Spør **Hilti** kundeservice eller forhandleren din.



- Kast aldri elektroverktøy, elektronisk utstyr eller batterier i husholdningsavfallet!

10 RoHS (Richtlinie zur Beschränkung der Verwendung gefährlicher Stoffe)

Under følgende lenke finner du tabellen over farlige stoffer: qr.hilti.com/r9672135.

Du finner en lenke til RoHS-tabellen helt til slutt i denne dokumentasjonen som QR-kode.

11 Produsentgaranti

- Når det gjelder spørsmål om garantibetingelser, ber vi deg kontakte din lokale **Hilti**-partner.



Alkuperäiset ohjeet

1 Tämän käyttöohjeen tiedot

1.1 Tästä käyttöohjeesta

- **Varoitus!** Ennen tuotteen käyttämistä varmista, että olet lukenut ja ymmärtänyt tuotteen mukana toimitetun käyttöohjeen ja sen sisältämät ohjeet, neuvot sekä turvallisuus- ja varoitushuomautukset, kuvat ja tekniset erittelyt. Perehdy etenkin kaikkiin ohjeisiin, turvallisuus- ja varoitushuomautuksiin, kuviin, teknisiin erittelyihin sekä tuotteen osiin ja toimintoihin. Ellei määräyksiä, ohjeita ja neuvoja noudateta, aiheutuu sähköiskun, tulipalon ja/tai vakavien vammojen vaara. Säilytä käyttöohje ja kaikki ohjeet sekä turvallisuus- ja varoitushuomautukset myöhempää käyttötarvetta varten.
- **HILTI** -tuotteet on tarkoitettu ammattikäyttöön, ja niitä saa käyttää, huoltaa tai korjata vain valtuutettu, koulutettu henkilö. Käyttäjän pitää olla hyvin perillä käyttöön liittyvistä vaaroista. Tuote ja sen varusteet saattavat aiheuttaa vaaratilanteita, jos kokemattomat henkilöt käyttävät tuotetta ohjeiden vastaisesti tai muutoin asiattomasti.
- Oheinen käyttöohje vastaa tekniikan tasoa painatushetkellä. Katso uusin versio internetistä Hiltin tuotesivustolta. Sinne pääset tässä käyttöohjeessa olevasta linkistä tai QR-koodilla, joka on merkitty symbolilla
- Varmista, että tämä käyttöohje on mukana, kun luovutat tuotteen toiselle henkilölle.

1.2 Merkkien selitykset

1.2.1 Varoitushuomautukset

Varoitushuomautukset varoittavat tuotteen käyttöön liittyvistä vaaroista. Seuraavia varoitustekstejä käytetään:

VAKAVA VAARA

VAKAVA VAARA !

- ▶ Varoittaa uhkaavasta vaaratilanteesta, josta voi seurauksena olla vakava loukkaantuminen tai jopa kuolema.

VAARA

VAARA !

- ▶ Varoittaa mahdollisesta vaarasta, josta voi seurauksena olla vakava loukkaantuminen tai kuolema.

VAROITUS

HUOMIO !

- ▶ Varoittaa mahdollisesta vaaratilanteesta, josta voi seurata loukkaantuminen tai aineellinen vahinko.

1.2.2 Symbolit käyttöohjeessa

Tässä käyttöohjeessa käytetään seuraavia symboleita:

	Noudata käyttöohjetta
	Toimintaohjeita ja muuta hyödyllistä tietoa
	Kierrätyskelpoisten materiaalien käsittely
	Älä hävitä sähkölaitteita ja akkuja tavallisen sekajätteen mukana

1.2.3 Symbolit kuvissa

Kuvissa käytetään seuraavia symboleita:

2	Nämä numerot viittaavat vastaavaan kuvaan tämän käyttöohjeen alussa.
3	Numerointi kuvissa viittaa tärkeisiin työvaiheisiin tai työvaiheiden kannalta tärkeisiin rakennosiin. Nämä vastaavasti numeroidut työvaiheet tai rakennosat korostetaan tekstissä, esimerkiksi (3) .



11	Kohtanumeroita käytetään kuvassa Yleiskuva , ja ne viittaavat kuvatekstien numerointiin kappa-leessa Tuoteyhteenveto .
	Tämän merkin tarkoitus on kiinnittää erityinen huomiosi tuotteen käyttöön ja käsittelyyn.

1.3 Symbolit tuotteessa

1.3.1 Symbolit tuotteessa

Tuotteessa käytetään seuraavia symboleita:

	Suojausluokka II (kaksinkertainen eristys)
--	--

2 Turvallisuus

2.1 Sähkötyökaluja koskevat yleiset turvallisuusohjeet

⚠ VAKAVA VAARA Lue kaikki turvallisuus- ja käyttöohjeet, selostukset ja tekniset tiedot, jotka liittyvät tähän sähkötyökaluun. Seuraavien ohjeiden noudattamatta jättäminen saattaa johtaa sähköiskuun, tulipaloon ja/tai vakavaan loukkaantumiseen.

Säilytä kaikki turvallisuus- ja käyttöohjeet huolellisesti vastaisen varalle.

Turvallisuusohjeissa käytetty käsite ”sähkötyökalu” tarkoittaa verkkokäyttöisiä sähkötyökaluja (joissa verkkojohto) ja akkukäyttöisiä sähkötyökaluja (joissa ei verkkojohtoa).

Työpaikan turvallisuus

- ▶ **Pidä työskentelyalue siistinä ja hyvin valaistuna.** Työpaikan epäjärjestys ja valaisemattomat työalueet voivat johtaa tapaturmiin.
- ▶ **Älä käytä sähkötyökalua räjähdysalttiissa ympäristössä, jossa on syttyvää nestettä, kaasua tai pölyä.** Sähkötyökalut synnyttävät kipinöitä, jotka saattavat sytyttää pölyn tai höyryt.
- ▶ **Pidä lapset ja sivulliset loitolla sähkötyökalua käyttäessäsi.** Voit menettää koneen hallinnan huomiosi suuntautuessaa muualle.

Sähköturvallisuus

- ▶ **Sähkötyökalun pistokkeen pitää sopia pistorasiaan. Pistoketta ei saa muuttaa millään tavalla.** Älä käytä pistorasia-adaptoreita suojamaadotettujen sähkötyökalujen yhteydessä. Alkuperäisessä kunnossa olevat pistokkeet ja sopivat pistorasiat vähentävät sähköiskun vaaraa.
- ▶ **Vältä koskettamasta sähköä johtaviin pintoihin kuten putkiin, pattereihin, liesiin ja jääkaappeihin.** Sähköiskun vaara kasvaa, jos kehosi maadottuu.
- ▶ **Älä aseta sähkötyökalua alttiiksi sateelle tai kosteudelle.** Veden tunkeutuminen sähkötyökalun sisään lisää sähköiskun vaaraa.
- ▶ **Älä kannata tai ripusta sähkötyökalua verkkojohdostaan äläkä vedä pistoketta irti pistorasiasta johdosta vetämällä.** Pidä johto loitolla kuumuudesta, öljystä, terävistä reunoista ja liikkuvista osista. Vahingoittuneet tai toisiinsa kietoutuneet johdot lisäävät sähköiskun vaaraa.
- ▶ **Kun käytät sähkötyökalua ulkona, käytä ainoastaan ulkokäyttöön soveltuvia jatkojohtoja.** Ulko-käyttöön soveltuvan jatkojohdon käyttö pienentää sähköiskun vaaraa.
- ▶ **Jos sähkötyökalua on välttämätöntä käyttää kosteassa ympäristössä, käytä vikavirtasuojakytkintä.** Vikavirtasuojakytkimen käyttö pienentää sähköiskun vaaraa.

Henkilöturvallisuus

- ▶ **Ole valpas, kiinnitä huomiota työskentelyysi ja noudata tervettä järkeä sähkötyökalua käyttäessäsi.** Älä käytä sähkötyökalua, jos olet väsynyt tai huumeiden, alkoholin tai lääkkeiden vaikutuksen alaisena. Sähkötyökalua käytettäessä hetkellisenkin varomattomuus saattaa aiheuttaa vakavia vammoja.
- ▶ **Käytä henkilökohtaisia suojavarusteita ja aina suojalaseja.** Henkilökohtaiset suojavarusteet, kuten hengityssuojain, luistamattomat turvajalkineet, kypärä ja kuulosuojaimet, pienentävät oikein käytettyinä loukkaantumisriskiä sähkötyökalun käyttötilanteesta riippuen.
- ▶ **Varo tahatonta käynnistämistä. Varmista, että sähkötyökalu on kytketty pois päältä, ennen kuin liität sen verkkovirtaan ja/tai liität siihen akun, otat sen käteesi tai kannat sitä.** Jos kannat sähkötyökalua sormi käyttökytkimellä tai liität pistokkeen pistorasiaan käyttökytkimen ollessa käyntiasennossa, altistat itsesi onnettomuuksille.
- ▶ **Poista kaikki säätötyökalut ja ruuvitalat, ennen kuin käynnistät sähkötyökalun.** Työkalu tai avain, joka sijaitsee koneen pyöriässä osassa, saattaa johtaa loukkaantumiseen.
- ▶ **Vältä vaikeita työskentelyasentoja. Varmista aina tukeva seisoma-asento ja tasapaino.** Siten voit paremmin hallita sähkötyökalua odottamattomissa tilanteissa.



- ▶ Käytä työösi soveltuvia vaatteita. Älä käytä löysiä työvaatteita tai koruja. Pidä hiukset, vaatteet ja käsineet loitolla liikkuvista osista. Väljät vaatteet, korut ja pitkät hiukset voivat takertua liikkuviin osiin.
- ▶ Jos pölynpoisto- ja keräilylaitteita voidaan asentaa, sinun on tarkastettava, että ne on liitetty oikein ja että niitä käytetään oikealla tavalla. Pölynpoistovarustuksen käyttö vähentää pölyn aiheuttamia vaaroja.
- ▶ Älä tuudittaudu virheelliseen turvallisuuden tunteeseen äläkä laiminlyö sähkötyökaluja koskevia turvallisuusohjeita silloinkaan, kun mielestäsi jo olet kokenut sähkötyökalun käyttäjä. Harkitsema- ton ja huolimaton toiminta voi sekunnin murto-osissa johtaa vakaviin loukkaantumisiin.

Sähkötyökalun käyttö ja käsittely

- ▶ Älä ylikuormita konetta. Käytä kyseiseen työhön tarkoitettua sähkötyökalua. Sopivaa sähkötyökalua käyttäen työskentelet paremmin ja varmemmin tehoalueella, jolle sähkötyökalu on tarkoitettu.
- ▶ Älä käytä sähkötyökalua, jonka käyttökäytin ei toimi. Sähkötyökalu, jota ei enää voida käynnistää ja pysäyttää käyttökäytimellä, on vaarallinen ja se täytyy korjata.
- ▶ Irrota pistoke pistorasiasta ja/tai irrota akku ennen kuin muutat säätöjä, vaihdat terää tai lisävarusteita ja kun lopetat koneen käyttämisen. Tämä turvatoimenpide estää sähkötyökalun tahattoman käynnistysriskin.
- ▶ Säilytä sähkötyökalut poissa lasten ulottuvilta, kun niitä ei käytetä. Älä anna toisten henkilöiden käyttää konetta, elleivät he ole perehtyneet sen käyttöön ja lukeneet käyttöohjeita. Sähkötyökalut ovat vaarallisia, jos niitä käyttävät kokemattomat henkilöt.
- ▶ Hoida sähkötyökaluja ja niiden varusteita huolella. Tarkasta, että liikkuvat osat toimivat moitteettomasti eivätkä ole puristuksissa, ja tarkasta myös, ettei sähkötyökalussa ole murtuneita tai vaurioituneita osia, jotka saattaisivat haitata sen toimintaa. Korjauta vaurioituneet osat ennen koneen käyttämistä. Usein loukkaantumisten ja tapaturmien syyinä on sähkötyökalujen laiminlyöty huolto.
- ▶ Pidä terät terävinä ja puhtaina. Huolella hoidetut terät, joiden leikkausreunat ovat teräviä, eivät jumitu herkästi, ja niillä työnteko on kevyempää.
- ▶ Käytä sähkötyökalua, lisävarusteita ja tarvikkeita, teriä jne. niiden käyttöohjeiden mukaisesti. Ota tällöin työolosuhteet ja suoritettava työtehtävä huomioon. Sähkötyökalun käyttö muuhun kuin sille tarkoitettuun käyttöön saattaa johtaa vaarallisiin tilanteisiin.
- ▶ Pidä käsikahvat ja tartuntapinnat kuivina, puhtaina, öljyttöminä ja rasvattomina. Jos käsikahvat tai tartuntapinnat ovat liukkaat, sähkötyökalun turvallinen käyttö ja hallinta voi yllättävissä tilanteissa olla mahdotonta.

Huolto

- ▶ Anna koulutettujen ammattihenkilöiden korjata sähkötyökalusi ja hyväksy korjauksiin vain alkupe- räisiä varaosia. Siten varmistat, että sähkötyökalu säilyy turvallisena.

2.2 Poravararoita koskevat turvallisuusohjeet

Turvallisuusohjeet kaikkiin töihin

- ▶ Käytä kuulosuojaimia. Melu saattaa heikentää kuuloasi.
- ▶ Käytä koneen mukana toimitettuja lisäkäsikahvoja. Koneen hallinnan menettäminen saattaa aiheuttaa loukkaantumisia.
- ▶ Pidä koneesta kiinni vain sen eristetyistä kahvapinnoista, jos teet työtä, jossa sähkötyökalun terä saattaa osua rakenteen sisällä olevaan virtajohtoon tai koneen verkkojohtoon. Jos terä osuu virtajohtoon, koneen metalliosiin saattaa johtua virta, jolloin saatat saada sähköiskun.

2.3 Muut turvallisuusohjeet

Henkilöturvallisuus

- ▶ Käytä vain tuotetta, joka on teknisesti moitteettomassa kunnossa.
- ▶ Älä koskaan tee koneeseen minkäänlaisia muutoksia.
- ▶ Koneen käyttämisen aikana käyttäjän ja lähellä olevien henkilöiden on käytettävä soveltuvia suojalaseja, suojakypäriä, suojakäsineitä ja turvakengkiä.
- ▶ Koneen työkaluterää vaihtaessasi käytä suojakäsineitä, koska käytön myötä työkaluterä kuumenee.
- ▶ Kun teet reikiä, varmista työstettävän kohdan taustapuoli. Putoamaan tai sinkoutumaan pääsevät palaset voivat aiheuttaa muille vammoja.
- ▶ Varmista, että sivukahva on kiinnitetty oikein ja kunnolla kiinni. Pidä aina molemmin käsin kiinni koneen käsikahvoista. Pidä käsikahvat kuivina, puhtaina, öljyttöminä ja rasvattomina.



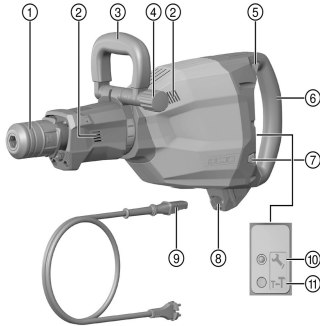
- ▶ Pidä työssäsi taukoja, joiden aikana tee sormivoimisteluliikeitä varmistaaksesi sormiesi hyvän verenkierron. Pitempään jatkuva työnteko saattaa tärinän vuoksi aiheuttaa verenkiertohäiriöitä tai sormien, käsien ja ranteiden hermokipuja.
- ▶ Konetta ei ole tarkoitettu voimiltaan heikkojen henkilöiden käyttöön ilman opastusta ja apua.
- ▶ Älä jätä konetta lasten ulottuville.
- ▶ Selvitä työssä syntyvän pölyn vaarallisuus ennen työn aloittamista. Käytä rakennustyömaakäyttöön hyväksyttyä pölynimuria, joka täyttää viralliset pölysuojaluokitusmääräykset.
- ▶ Käytä mahdollisuuksien mukaan pölynpoistovarustusta ja liikuteltavaa pölynpoistolaitetta. Tiettyjen materiaalien kuten liijypitoisen maalin, joidenkin puulajien, kvartsia sisältävän betonin / muurauksen / kivetyksen ja mineraalien sekä metallien pölyt voivat olla terveydelle vaarallisia.
- ▶ Varmista työpisteen hyvä tuuletus ja tarvittaessa käytä hengityssuojainta, joka soveltuu kyseessä olevalla pölyllä. Pölyjen ihokosketus tai hengittäminen saattaa aiheuttaa allergisia reaktioita ja/tai hengitystiesairauksia koneen käyttäjälle tai lähellä oleville henkilöille. Tietty pölyt kuten tammen tai pyökin pöly on luokiteltu syöpää aiheuttaviksi, erityisesti jos niihin liittyy puunkäsittelyn lisäaineita (kromaatti, puunsuoja-aineet). Asbestia sisältäviä materiaaleja saavat työstää vain erikoiskoulutetut henkilöt.
- ▶ Hanki töille työnjohdon suostumus. Rakennukseen ja kantaviin rakenteisiin tehtävät työt voivat vaikuttaa rakenteiden lujuuteen, etenkin jos raudoituksia tai kantavia elementtejä katkaistaan.

Sähköturvallisuus

- ▶ Tarkasta ennen työn aloittamista, onko työskentelyalueella rakenteiden sisälle asennettuja sähköjohtoja tai kaasu- ja vesiputkia. Koneen ulkopinnan metalliosista saatat saada sähköiskun, jos vahingossa osut sähköjohtoon.
- ▶ Tarkasta verkkojohdon kunto säännöllisesti, ja jos havaitset vaurioita, vaihdata verkkojohto erikoiskorjaamossa. Jos sähkötyökalun liitäntäjohto on vaurioitunut, sen tilalle on vaihdettava erityisesti tähän käyttöön tarkoitettu ja hyväksytty johto; näitä johtoja on saatavana huolto-organisaation kautta. Tarkasta jatkojohdon kunto säännöllisesti, ja vaihda johto, jos havaitset vaurioita. Jos verkkojohto tai jatkojohto vaurioituu työskentelyn aikana, älä kosketa johtoa. Irrota pistoke verkkopistorasiasta. Vaurioituneet liitäntäjohdot ja jatkojohdot aiheuttavat vakavan sähköiskun vaaran.
- ▶ Tarkastuta likaantunut kone säännöllisin välein **Hilti**-huollossa, jos työstät sähköä johtavia materiaaleja usein. Koneen pintaan kertynyt pöly, etenkin sähköä johtavien materiaalien pöly, tai kosteus saattavat epäsuotuisissa tilanteissa aiheuttaa sähköiskun.
- ▶ Jos virransaanti katkeaa, katkaise laitteesta virta ja irrota pistoke verkkopistorasiasta. Tämä estää konetta käynnistymästä vahingossa, kun virransaanti palautuu.



3.1 Tuoteyhteenvedo



- ① Istukka
- ② Jäähdytysilma-ao
- ③ Sivukahva
- ④ Nuppi
- ⑤ Käyttökytkin
- ⑥ Käsikahva
- ⑦ Tehonsäädin
- ⑧ Liitäntä sähkötyökalussa
- ⑨ Verkkojohto jossa koodattu, irrotettava pistoke
- ⑩ Huoltotarpeen merkkivalo
- ⑪ Tehonsäädön merkkivalo

3.2 Tarkoituksenmukainen käyttö

Kuvattu tuote on sähkökäyttöinen piikkausvasara vaativiin piikkaustöihin.

Se on tarkoitettu betonin, tiilen, muurauksen, kiven ja asvaltin piikkaukseen ja karhennukseen.

- ▶ Koneen saa liittää vain verkkovirtaan, jonka jännite ja taajuus vastaavat koneen tyyppikilvessä olevia tietoja.

3.3 Mahdollinen väärä käyttö

Tämä tuote ei sovellu terveydelle vaarallisten materiaalien työstöön.

Tämä tuote ei sovellu kosteassa ympäristössä käytettäväksi.

3.4 Active Vibration Reduction (AVR)

Piikkausvasarassa Active Vibration Reduction (AVR) -järjestelmä, joka merkittävästi vähentää tärinää.

3.5 Tehonsäädön merkkivalonäyttö

Piikkausvasarassa on tehonsäädön merkkivalonäyttö.

Tehonsäädintä painamalla voit alentaa piikkaustehon noin 70 %:iin. Kun teho on alennettu, tehonsäädön merkkivalo palaa.

3.6 Huoltotarpeen merkkivalon tila

Piikkausvasarassa on huoltotarpeen merkkivalo.



Tila	Merkitys
Huoltotarpeen merkkivalo palaa punaisena.	Käyttöajan perusteella huolto on tullut ajankohtaiseksi. Kone vaurioitunut.
Huoltotarpeen merkkivalo vilkkuu punaisena.	Ylikuumentumisuoja. Tuleva jännite on liian suuri.



Vie tuote ajoissa **Hilti**-huoltoon. Siten se pysyy aina käyttövalmiina.

3.7 Toimituksen sisältö

Piikkausvasara, sivukahva, käyttöohje.

Muita tälle tuotteelle hyväksytyjä järjestelmätuotteita löydät **Hilti Store** -liikkeestä tai nettiosoitteesta: www.hilti.group

4 Tekniset tiedot

4.1 Piikkausvasara



Nimellisjännitteen, nimellisvirran, verkkovirran taajuuden ja/tai nimellisottotehon näet maakohtaisesta tyyppikilvestä.

Jos konetta käytetään generaattoriin tai muuntajaan liitettynä, generaattorin tai muuntajan antotehon pitää olla vähintään kaksi kertaa niin suuri kuin koneen tyyppikilpeen merkitty nimellisottoteho. Muuntajan tai generaattorin käyttöjännitteen pitää aina olla rajoissa +5 % ja -15 % koneen nimellisjännitteestä.

	TE 1000-AVR
Tuotesukupolvi	02
Paino EPTA 01 mukaan	12,5 kg
Yhden iskun energia EPTA 05 mukaan	26 J

4.2 Melutiedot ja värinäarvot

Tässä käyttöohjeessa annetut äänenpaine- ja värinäarvot on mitattu standardoitujen mittausmenetelmien mukaisesti, ja näitä arvoja voidaan käyttää sähkötyökalujen vertailussa. Ne soveltuvat myös altistumisten tilapäiseen arviointiin.

Annetut arvot koskevat sähkötyökalun pääasiallisia käyttötarkoituksia. Jos sähkötyökalua kuitenkin käytetään muihin tarkoituksiin, poikkeavia työkaluteriä käyttäen tai puutteellisesti huollettuna, arvot voivat poiketa tässä ilmoitetuista. Tämä saattaa merkittävästi lisätä altistumista koko työskentelyajan aikana.

Altistumisia tarkasti arvioitaessa on otettava huomioon myös ne ajat, jolloin sähkötyökalu on kytketty pois päältä tai jolloin sähkötyökalu on päällä, mutta sillä ei tehdä varsinaista työtä. Tämä saattaa merkittävästi vähentää altistumista koko työskentelyajan aikana.

Käyttäjän suojaamiseksi melun ja/tai värinän vaikutukselta ryhdy tarpeellisiin turvatoimenpiteisiin kuten: Sähkötyökalun ja siihen kiinnitettävien työkaluterien huolto, käsien lämpimänä pitäminen, työtehtävien organisointi.



Yksityiskohtaista tietoa tässä sovelletuista **EN 62841**-standardin versioista löydät kohdasta Vaatimus-
tenmukaisuusvakuutuksen kuva 177.

Melupäästöarvot

Melutehotaso (L_{WA})	96 dB(A)
Äänitehotason epävarmuus (K_{WA})	3 dB(A)
Melupäästön äänenpainetaso (L_{pA})	88 dB(A)
Äänenpainetaso epävarmuus (K_{pA})	3 dB(A)



Melutiedot ja tärinäarvot

Piikkaaminen ($a_{h, Cheq}$)	5,9 m/s ²
Epävarmuus (K)	1,5 m/s ²

5 Käyttö**5.1 Työkohteen valmistelu****VAROITUS**

Loukkaantumisvaara! Tuotteen käynnistyminen vahingossa.

► Irrota pistoke verkkopistorasiasta, ennen kuin muutat koneen säätöjä tai vaihdat lisävarusteisia.

Noudata tässä dokumentaatioissa ja tuotteessa olevia turvallisuus- ja varoitushuomautuksia.

5.1.1 Sivukahvan kiinnitys ja säätö**VAROITUS**

Loukkaantumisvaara Piikkausvasaran hallinnan menettämisen vaara.

► Varmista, että sivukahva on kiinnitetty oikein ja kunnolla kiinni.

► Kiinnitä sivukahva tai säädä sitä.



Noudata myös sivukahvan mukana toimitettua käyttöohjetta.

5.1.2 Irrotettava verkkojohto**VAROITUS**

Loukkaantumisvaara Likaantuneiden liittimien aiheuttama vuotovirtavaara.

► Irrotettavan sähköpistokkeen saa liittää sähkötyökaluun vain, kun pistoke on puhdas, kuiva ja jännitteetön.

► Liitä/irrota irrotettava verkkojohto.

5.1.2.1 Irrotettavan verkkojohdon liittäminen**VAROITUS**

Loukkaantumisvaara Likaantuneiden liittimien aiheuttama vuotovirtavaara.

► Irrotettavan sähköpistokkeen saa liittää sähkötyökaluun vain, kun pistoke on puhdas, kuiva ja jännitteetön.

1. Työnnä koodattu, irrotettava sähköpistoke koneeseen vasteeseen saakka siten, että kuulet lukittumisen.



Suosittamme, että annat johdon aina olla koneeseen kiinnitettynä, jotta työkalun ja johdon välinen liitäntä on suojassa pölyltä ja kosteudelta. Johto on syytä irrottaa vain, jos se on murtunut/vaurioitunut.

2. Liitä verkkopistoke verkkopistorasiaan.

5.1.2.2 Irrotettavan verkkojohdon irrottaminen sähkötyökalusta

1. Irrota pistoke verkkopistorasiasta.

2. Paina lukituspainiketta ja vedä koodattu, irrotettava sähköpistoke irti.

3. Vedä verkkojohto irti koneesta.

5.1.3 Työkaluterän kiinnitys

1. Rasvaa työkaluterän istukkapää kevyesti.

2. Laita työkaluterä istukkaan ja kierrä työkaluterää hiukan painaen siten, että se kuultavasti lukittuu kiinni.

► Tuote on toimintavalmis.



Käytä vain alkuperäistä Hilti-rasvaa. Soveltumattoman rasvan käyttö voi vaurioittaa tuotetta.



5.1.4 Työkaluterän irrotus

VAARA

Loukkaantumisvaara Terä kuumenee käytössä ja siinä saattaa olla teräviä reunoja.

- Käytä terän vaihdossa suojakäsineitä.

VAKAVA VAARA

Palovaara Kuuman työkalun ja helposti syttyvien materiaalien välisen kosketuksen aiheuttama vaara.

- Älä laske kuumaa työkalua herkästi syttyvien materiaalien päälle.

1. Vedä istukkaa taaksepäin.
2. Irrota työkaluterä.

5.2 Työskentely

VAROITUS

Vaurioitumisvaara väärän käsittelyn seurauksena!

- Älä käytä suunnanvaihdon ja/tai toimintatavan valinnan kytkimiä koneen käytön aikana.

Noudata tässä dokumentaatiossa ja tuotteessa olevia turvallisuus- ja varoitushuomautuksia.

5.2.1 Piikkaaminen



Piikkaustyökalun voi kiinnittää 6 eri asentoon (60°:n välein). Näin latta- ja muotopiikkaustyökalun saa kiinnitettyä aina työn kannalta sopivimpaan asentoon.

Liian pieni painamisvoima johtaa piikkausterän hyppimiseen. Liian suuri painamisvoima alentaa piikkaustehoa.

1. Liitä verkkopistoke verkkopistorasiaan.
2. Aseta piikkausterä noin 80-100 mm:n (3 1/8" - 4") päähän reunasta.
3. Aloita piikkaaminen piikkausterä 70° - 80° kulmassa betonin pintaan nähden ja suuntaa kärki reunaa kohti. Käännä sitten kulmaa suuntaan 90° ja murra materiaali irti.
 - Jos piikkattavassa materiaalissa on raudoitusta, ohjaa piikkausterä aina materiaalin reunaa vasten, älä raudoitusta vasten.
4. Käännä piikkausterä säännöllisin välein, koska tasainen kuluminen tehostaa itseteroittumista.

5.2.2 Piikkaustehon säätö

- Paina tehonsäädintä.
 - Tehonsäädintä painamalla voit alentaa piikkaustehon noin 70 %:iin.



Piikkaustehoa voit säätää vain käyttötilan ollessa kytkettynä. Kun painat tehonsäädintä uudelleen, täysi piikkausteho on jälleen käytettävissä. Kun kytket koneen pois päältä ja uudelleen päälle, täysi piikkausteho on myös nyt käytettävissä.

6 Huolto, hoito ja kunnossapito

VAARA

Sähköiskun vaara! Hoito- ja kunnostustöiden suorittaminen pistoke pistorasiaan liitettynä voi johtaa vakaviin loukkaantumisiin ja palovammoihin.

- Irrota pistoke verkkopistorasiasta aina ennen hoito- ja kunnostustöitä!

Huolto ja hoito

- Poista pinttynyt lika varovasti.
- Puhdista jäähdytysilmaraot varovasti kuivalla harjalla.
- Käytä kotelon puhdistamiseen vain kevyesti kostutettua kangasta. Älä käytä siikonia sisältäviä hoitoaineita, sillä ne voivat vaurioittaa muoviosia.





Sähköiskun aiheuttama vaara! Sähköosien asiantuntemattomat korjaukset voivat aiheuttaa vakavia loukkaantumisia ja palovammoja.

- ▶ Sähköosien korjaustyöt saa tehdä ainoastaan valtuutettu sähköasentaja.

- Tarkasta säännöllisin välein kaikkien näkyvien osien mahdolliset vauriot ja käyttöelementtien moitteeton toiminta.
- Jos havaitset vaurioita ja / tai toteat toimintahäiriöitä, älä käytä tuotetta. Korjauta heti **Hilti**-huollossa.
- Hoito- ja kunnostustöiden jälkeen kiinnitä kaikki suojalaitteet ja tarkasta niiden toiminta.



Käyttöturvallisuuden varmistamiseksi käytä vain alkuperäisiä varaosia ja käyttömateriaaleja. Tälle tuotteelle hyväksytyjä varaosia, kulutusmateriaaleja ja lisävarusteita löydät **Hilti Store** -liikkeestä tai osoitteesta: www.hilti.group.

6.1 Pölysuojuksen puhdistus

- ▶ Puhdista istukan pölysuojus säännöllisin välein puhtaalla, kuivalla kankaalla.
- ▶ Pyyhi tiivistehuuli varovasti puhtaaksi ja rasvaa se kevyesti **Hilti**-rasvalla.
- ▶ Pölysuojus on ehdottomasti vaihdettava, jos sen tiivistehuuli on vaurioitunut.

7 Kuljetus ja varastointi

- Älä kuljeta sähkötyökalua työkaluterä kiinnitettynä.
- Varastoi sähkötyökalu aina sen pistoke verkkopistorasiasta irrotettuna.
- Varastoi kone lasten ja asiattomien henkilöiden ulottumattomissa.
- Pitemmän kuljetuksen tai varastoinnin jälkeen tarkasta sähkötyökalun mahdolliset vauriot ennen käyttöä.

8 Apua häiriötilanteisiin

Häiriössä, joita ei ole kuvattu tässä taulukossa tai joita et itse pysty poistamaan, ota yhteys **Hilti**-huoltoon.

8.1 Vianmääritys

Häiriö	Mahdollinen syy	Ratkaisu
Kone ei käynnisty.	Elektroniikan perusasetus on käynnissä (kestää noin 4 sekuntia pistokkeen liittämisen jälkeen). Elektroninen käynnistysenesto on kytkeytynyt päälle virran katkeamisen seurauksena.	▶ Kytke kone pois päältä ja takaisin päälle.
	Katkos jännitteensaannissa.	▶ Liitä toinen sähkötyökalu ja tarkasta toimiiko se.
	Generaattori Sleep Mode -tilassa.	▶ Kuormita generaattoria toisella kuluttimella (esimerkiksi työmaalampulla). Kytke kone sitten pois päältä ja takaisin päälle.
	Irrotettava verkkojohto ei ole kunnolla kiinni.	▶ Liitä irrotettava verkkojohto oikein sähkötyökaluun.
Huoltotarpeen merkkivalo palaa punaisena.	Vika koneessa tai käyttöajan perusteella huolto on tullut ajankohdattaiseksi.	▶ Korjauta tuote aina vain Hilti -huollossa.
Huoltotarpeen merkkivalo vilkkuu punaisena.	Tuleva jännite on liian suuri.	▶ Vaihda pistorasiaa. Tarkasta verkkovirta.
	Ylikuumentumissuoja.	▶ Tarvittaessa anna koneen jäähtyä. Puhdista jäähdytysilmaraot. Käyttö tyhjäkäynnillä on vielä mahdollista.



Häiriö	Mahdollinen syy	Ratkaisu
Ei iskua.	Kone liian kylmä.	► Aseta piikkausvasara pintaa vasten ja anna käydä tyhjäkäyntiä. Tarvittaessa toista tämä, kunnes iskumekanismi toimii.
Koneen teho on heikko.	Tehon alennus aktivoitu.	► Käytä tehonsäädintä (tarkkaile tehonsäädön merkkivaloa). Kytke kone pois päältä ja takaisin päälle.
	Jatkojohto liian pitkä ja / tai sen poikkipinta-ala on liian pieni.	► Käytä jatkojohtoa, jonka pituus on sallittu ja / tai poikkipinta-ala on riittävä.
	Virransaannin jännite on liian pieni.	► Liitä kone toiseen virtalähteeseen.
Piikkausterän lukitusta ei saa vapautettua.	Istukkaa ei ole vedetty kunnolla taakse.	► Vedä työkalun lukitsin vasteeseen saakka takaisinpäin ja irrota työkalu.
Kone kytkeytyy kesken käytön pois päältä.	Ylikuumentumissuoja.	► Tarvittaessa anna koneen jäähtyä. Puhdista jäähdytysilmaraot. Käyttö tyhjäkäynnillä on vielä mahdollista.

9 Hävittäminen

Hilti-työkalut, -koneet ja -laitteet on pääosin valmistettu kierrätyskelpoisista materiaaleista. Kierrätyksen edellytys on materiaalin asianmukainen lajittelu. Useissa maissa **Hilti** ottaa vanhat koneet ja laitteet vastaan kierrätystä ja hävitystä varten. Lisätietoja saat **Hilti**-huollosta tai -edustajalta.



- Älä hävitä sähkötyökaluja, elektronisia laitteita ja akkuja tavallisen sekajätteen mukana!

10 RoHS (Richtlinie zur Beschränkung der Verwendung gefährlicher Stoffe)

Vaarallisten aineiden taulukon löydät seuraavasta linkistä: qr.hilti.com/r9672135.
Linkki RoHS-taulukkoon on tämän dokumentaation lopussa QR-koodina.

11 Valmistajan myöntämä takuu

- Jos sinulla on takuuehtoihin liittyviä kysymyksiä, ota yhteys paikalliseen **Hilti**-edustajaan.

Перевод оригинального руководства по эксплуатации

1 Данные руководства по эксплуатации

1.1 К настоящему руководству по эксплуатации



Импортер и уполномоченная изготовителем организация

- (RU) Российская Федерация
АО "Хилти Дистрибьюшн ЛТД", 141402, Московская область, г. Химки, ул. Ленинградская, стр. 25, комната 15.26
- (BY) Республика Беларусь
ИООО "Хилти БиУай", 222750, Минская область, Дзержинский район, Р-1, 18-й км, 2 (около д. Слободка), помещение 1-34



- (KZ) Республика Казахстан
ТОО "Хилти Казахстан", 050057, г. Алматы, Бостандыкский район, ул. Тимирязева, дом 42/15, литер 012 (корпус15)
- (AM) Республика Армения
ООО "ЭЙЧ-КОН", 0070, г. Ереван, ул. Ерванда Кочара 19/28

Страна производства: см. маркировочную табличку на оборудовании.

Дата производства: см. маркировочную табличку на оборудовании.

Соответствующий сертификат можно найти по адресу: www.hilti.ru

Специальных требований к условиям хранения, транспортировки и использования, кроме указанных в руководстве по эксплуатации, нет.

Срок службы изделия составляет 5 лет.

- Предупреждение! Перед использованием изделия убедитесь в том, что вы полностью изучили прилагаемое к нему руководство по эксплуатации, включая приводимые там инструкции, указания по технике безопасности и предупреждения, иллюстрации и технические характеристики. В частности, ознакомьтесь со всеми инструкциями, указаниями по технике безопасности и предупреждениями, иллюстрациями, техническими характеристиками, а также компонентами и функциями. Несоблюдение этих требований может привести к поражению электрическим током, возгоранию и/или серьезным травмам. Храните руководство по эксплуатации, включая все инструкции, указания по технике безопасности и предупреждения, для последующего использования.
- Изделия предназначены для профессионального использования, поэтому они должны обслуживаться и ремонтироваться только уполномоченным и обученным персоналом. Этот персонал должен пройти специальный инструктаж по технике безопасности. Использование изделия и его оснастки не по назначению или его эксплуатация необученным персоналом могут представлять опасность.
- Прилагаемое руководство по эксплуатации соответствует уровню технического прогресса на момент сдачи в печать. Актуальная версия всегда доступна в режиме онлайн на веб-сайте Hilti с описанием изделия. Для этого перейдите по ссылке или QR-коду, приводимым в настоящем руководстве по эксплуатации с обозначением символом .
- При смене владельца обязательно передавайте настоящее руководство по эксплуатации вместе с изделием.

1.2 Пояснение к знакам

1.2.1 Предупреждающие указания

Предупреждающие указания служат для предупреждения об опасностях при обращении с изделием. Используются следующие сигнальные слова:

ОПАСНО

ОПАСНО !

- ▶ Общее обозначение непосредственной опасной ситуации, которая влечет за собой тяжелые травмы или смертельный исход.

ПРЕДУПРЕЖДЕНИЕ

ПРЕДУПРЕЖДЕНИЕ !

- ▶ Общее обозначение потенциально опасной ситуации, которая может повлечь за собой тяжелые травмы или смертельный исход.

ОСТОРОЖНО

ОСТОРОЖНО !

- ▶ Общее обозначение потенциально опасной ситуации, которая может повлечь за собой травмы или повреждение оборудования (материальный ущерб).

1.2.2 Символы, используемые в руководстве

В этом руководстве используются следующие символы:



Соблюдать руководство по эксплуатации



	Указания по эксплуатации и другая полезная информация
	Обращение с материалами, пригодными для вторичной переработки
	Не выбрасывайте электроинструменты и аккумуляторы вместе с бытовым мусором!

1.2.3 Символы на изображениях

На изображениях используются следующие символы:

	Эти цифры указывают на соответствующее изображение в начале данного руководства.
3	Нумерация на иллюстрациях указывает на важные рабочие операции или на компоненты (детали), важные для рабочих операций. В тексте эти рабочие операции или компоненты выделены соответствующими номерами, например (3).
	Номера позиций используются в обзорном изображении. В обзоре изделия они указывают на номера в экспликации.
	Этот знак должен привлечь особое внимание пользователя при обращении с изделием.

1.3 Символы на изделии

1.3.1 Символы на изделии

На изделии используются следующие символы:

	Класс защиты II (двойная изоляция)
--	------------------------------------

2 Безопасность

2.1 Общие указания по технике безопасности для электроинструментов

⚠ ПРЕДУПРЕЖДЕНИЕ Изучите все указания по технике безопасности, инструкции, иллюстрации и технические данные, которые прилагаются к данному электроинструменту. Несоблюдение приводимых ниже указаний может привести к поражению электрическим током, пожару и/или тяжелым травмам.

Сохраните все указания по технике безопасности и инструкции для следующего пользователя.

Используемый далее термин «электроинструмент» относится к электроинструменту, работающему от электрической сети (с кабелем электропитания) и от аккумулятора (без кабеля электропитания).

Безопасность рабочего места

- ▶ **Следите за чистотой и хорошей освещенностью на рабочем месте.** Беспорядок на рабочем месте или плохое освещение могут привести к несчастным случаям.
- ▶ **Не используйте электроустройство/электроинструмент во взрывоопасной зоне, где имеются горючие жидкости, газы или пыль.** При работе электроустройство/электроинструмент искрит, и искры могут воспламенить пыль или пары/газы.
- ▶ **Не разрешайте детям и посторонним приближаться к работающему электроустройству/электроинструменту.** Отвлекаясь от работы, можно потерять контроль над электроустройством/электроинструментом.

Электрическая безопасность

- ▶ **Соединительная вилка электроинструмента должна соответствовать розетке электросети. Не изменяйте конструкцию вилки! Не используйте переходные вилки с электроинструментами с защитным заземлением.** Использование оригинальных вилок и соответствующих им розеток снижает риск поражения электрическим током.
- ▶ **Избегайте непосредственного контакта с заземленными поверхностями, например с трубами, отопительными приборами, газо-/Электропластинами и холодильниками.** При контакте с заземленными предметами возникает повышенный риск поражения электрическим током.
- ▶ **Предохраняйте электроинструменты от дождя или воздействия влаги.** В результате попадания воды в электроинструмент возрастает риск поражения электрическим током.
- ▶ **Не используйте кабель электропитания не по назначению, например для переноски электроинструмента, его подвешивания или для выдергивания вилки из розетки электросети. Защищайте кабель электропитания от воздействий высоких температур, масла, острых кро-**



мок или вращающихся деталей/узлов. В результате повреждения или схлестывания кабелей электропитания повышается риск поражения электрическим током.

- ▶ **Если работы с электроинструментом выполняются на открытом воздухе, применяйте только удлинительные кабели, которые разрешено использовать вне помещений.** Использование удлинительного кабеля, пригодного для использования вне помещений, снижает риск поражения электрическим током.
- ▶ **Если избежать работы с электроинструментом в условиях влажности не представляется возможным, используйте автомат защиты от тока утечки.** Использование автомата защиты от тока утечки снижает риск поражения электрическим током.

Безопасность персонала

- ▶ **Будьте внимательны, следите за своими действиями и серьезно относитесь к работе с электроинструментом. Не пользуйтесь электроинструментом, если вы устали или находитесь под действием наркотиков, алкоголя или медикаментов.** Незначительная ошибка при невнимательной работе с электроинструментом может стать причиной серьезного травмирования.
- ▶ **Используйте средства индивидуальной защиты и всегда надевайте защитные очки.** Использование средств индивидуальной защиты, например респиратора, защитной обуви на нескользящей подошве, защитной каски или защитных наушников, в зависимости от вида и условий эксплуатации электроинструмента, снижает риск травмирования.
- ▶ **Избегайте непреднамеренного включения электроинструмента. Убедитесь в том, что электроинструмент выключен, прежде чем подключить его к электропитанию и/или вставить аккумулятор, поднимать или переносить электроинструмент.** Ситуации, когда при переносе электроинструмента палец находится на выключателе или когда включенный электроинструмент подключается к электросети, могут привести к несчастным случаям.
- ▶ **Перед включением электроинструмента удалите регулировочные приспособления или гаечные ключи.** Рабочий инструмент или гаечный ключ, находящийся во вращающейся части электроинструмента, может стать причиной получения травм.
- ▶ **Старайтесь избегать неестественных поз при работе. Постоянно сохраняйте устойчивое положение и равновесие.** Это позволит лучше контролировать электроинструмент в непредвиденных ситуациях.
- ▶ **Носите спецодежду. Не надевайте очень свободную одежду или украшения. Оберегайте волосы, одежду и защитные перчатки от вращающихся узлов электроинструмента.** Свободная одежда, украшения и длинные волосы могут быть захвачены ими.
- ▶ **Если предусмотрено подсоединение устройств для удаления и сбора пыли, убедитесь в том, что они подсоединены и используются по назначению.** Использование пылеудаляющего аппарата снижает вредное воздействие пыли.
- ▶ **Не пребывайте в ложной уверенности в собственной безопасности и не пренебрегайте правилами техники безопасности для электроинструментов, даже если вы являетесь опытным пользователем электроинструмента.** Неосторожное обращение может в течение долей секунды стать причиной получения тяжелых травм.

Использование и обслуживание электроинструмента

- ▶ **Не допускайте перегрузки электроинструмента. Используйте электроинструмент, предназначенный именно для данной работы.** Соблюдение этого правила обеспечит более высокое качество и безопасность работы в указанном диапазоне мощности.
- ▶ **Не используйте электроинструмент с неисправным выключателем.** Электроинструмент, включение или выключение которого затруднено, представляет опасность и должен быть отремонтирован.
- ▶ **Прежде чем приступить к регулировке электроинструмента, замене принадлежностей или перед перерывом в работе выньте вилку из розетки и/или аккумулятор из электроинструмента.** Данная мера предосторожности позволит предотвратить непреднамеренное включение электроинструмента.
- ▶ **Храните неиспользуемые электроинструменты в местах, недоступных для детей. Не позволяйте использовать электроинструмент лицам, которые не ознакомлены с ним или не читали эти инструкции.** Электроинструменты представляют собой опасность в руках неопытных пользователей.
- ▶ **Бережно обращайтесь с электроинструментами и принадлежностями. Проверяйте безупречное функционирование подвижных частей, легкость их хода, целостность и отсутствие повреждений, которые могли бы отрицательно повлиять на работу электроинструмента. Сдавайте поврежденные части электроинструмента в ремонт до его использования.** Причиной многих несчастных случаев является несоблюдение правил технического обслуживания электроинструментов.



- ▶ **Необходимо следить за тем, чтобы режущие инструменты были острыми и чистыми.** Заклинивание содержащихся в надлежащем состоянии режущих инструментов происходит реже, ими легче управлять.
- ▶ **Применяйте электроинструмент, принадлежности (оснастку), рабочие инструменты и т. д. согласно данным указаниям. Учитывайте при этом рабочие условия и характер выполняемой работы.** Использование электроинструментов не по назначению может привести к опасным ситуациям.
- ▶ **Замасленные рукоятки и поверхности для хвата немедленно очищайте — они должны быть сухими и чистыми.** Скользкие рукоятки и поверхности для хвата не обеспечивают безопасное управление и контроль электроинструмента в непредвиденных ситуациях.

Сервис

- ▶ **Доверяйте ремонт своего электроинструмента только квалифицированному персоналу, использующему только оригинальные запчасти.** Этим обеспечивается поддержание электроинструмента в безопасном и исправном состоянии.

2.2 Указания по технике безопасности при работе с перфораторами

Указания по технике безопасности при выполнении любых работ

- ▶ **Надевайте защитные наушники.** В результате воздействия шума возможна потеря слуха.
- ▶ **Используйте дополнительные рукоятки, которые входят в комплект инструмента.** Потеря контроля над инструментом может привести к травмам.
- ▶ **При опасности повреждения рабочим инструментом скрытой электропроводки или сетевого кабеля держите электроинструмент за изолированные поверхности.** При контакте с токопроводящими предметами незащищенные металлические части электроинструмента находятся под напряжением, что может привести к поражению электрическим током.

2.3 Дополнительные указания по технике безопасности

Безопасность персонала

- ▶ Используйте электроинструмент только в технически исправном состоянии.
- ▶ Внесение изменений в конструкцию электроинструмента или его модификация категорически запрещаются.
- ▶ Во время работы с устройством пользователь и находящиеся в непосредственной близости лица должны использовать подходящие защитные очки, защитную каску, защитные перчатки и защитную обувь.
- ▶ Для смены рабочих инструментов пользуйтесь защитными перчатками, т. к. инструменты при работе сильно нагреваются.
- ▶ При изготовлении сквозных проемов ограждайте опасную зону с противоположной стороны стены. Вылетающие наружу и/или падающие вниз осколки могут травмировать других людей.
- ▶ Убедитесь в том, что боковая рукоятка правильно установлена и надежно закреплена. Всегда надежно удерживайте электроинструмент обеими руками за предусмотренные для этого рукоятки. Рукоятки должны быть сухими и чистыми, не замасленными.
- ▶ Чтобы во время работы руки не затекали, время от времени делайте упражнения для расслабления и разминки пальцев. При длительной работе возникающие вибрации могут привести к нарушениям кровоснабжения сосудов или в нервных окончаниях пальцев/кистей рук или в запястьях.
- ▶ Этот электроинструмент не предназначен для использования физически слабыми лицами без соответствующего инструктажа.
- ▶ Держите электроинструмент в недоступном для детей месте.
- ▶ Перед началом работы выясните (по обрабатываемому материалу) класс опасности возникающей пыли. Для работы с электроинструментом используйте строительный (промышленный) пылесос, степень защиты которого соответствует нормам пылезащиты, действующим в месте эксплуатации.
- ▶ По возможности используйте систему пылеудаления с подходящим мобильным пылеудаляющим аппаратом. Пыль, возникающая при обработке лакокрасочных покрытий, содержащих свинец, некоторых видов древесины, бетона/кирпичной и каменной кладки с частицами кварца, минералов, а также металла может представлять опасность для здоровья.
- ▶ Обеспечьте оптимальную вентиляцию рабочей зоны и при необходимости надевайте респиратор, который подходит для защиты от конкретного вида пыли. Вдыхание частиц такой пыли или контакт с ней может стать причиной появления аллергических реакций и/или заболеваний дыхательных путей как у пользователя, так и находящихся вблизи лиц. Некоторые виды пыли (например, пыль, возникающая при обработке дуба или бука) считаются канцерогенными, особенно в комбинации с дополнительными материалами, используемыми для обработки древесины (соль хромовой



кислоты, средства защиты древесины). К работам с асбестосодержащим материалом должны допускаться только специалисты.

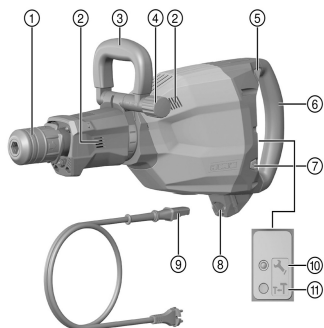
- ▶ Перед началом работ согласуйте их с начальником строительного участка (прорабом). Выполнение отверстий в зданиях и других конструкциях изменяет их прочность, особенно при перерезании арматуры или несущих конструкций.

Электрическая безопасность

- ▶ Перед началом работы проверяйте рабочее место на наличие скрытой электропроводки, газо- и водопроводных труб. Открытые металлические части электроинструмента могут стать проводниками электрического тока, если случайно задеть электропроводку.
- ▶ Регулярно проверяйте кабель электропитания электроинструмента. Замена поврежденного кабеля должна осуществляться специалистом-электриком. В случае повреждения кабеля электропитания электроинструмента его следует заменить другим специально предназначенным для замены и допущенным к эксплуатации кабелем, который можно заказать через отдел по обслуживанию клиентов. Регулярно проверяйте удлинительные кабели и при наличии повреждений заменяйте их. Если во время работы кабель электропитания/удлинительный кабель был поврежден, прикасаться к нему запрещается. Выньте вилку кабеля из сетевой розетки. Поврежденные кабели электропитания и удлинительные кабели представляют опасность поражения электрическим током.
- ▶ При частой обработке токопроводящих материалов электроинструмент загрязняется, поэтому его следует регулярно сдавать в сервисный центр **Hilti** для проверки. При неблагоприятных условиях влага и пыль, скапливающиеся на поверхности электроинструмента (особенно от токопроводящих материалов), могут вызвать удар электрическим током.
- ▶ При отключении подачи электропитания следует выключить электроинструмент и вынуть вилку кабеля из сетевой розетки. Это поможет избежать непреднамеренного включения электроинструмента после возобновления подачи электропитания.

3 Описание

3.1 Обзор изделия 1



- ① Зажимной патрон
- ② Вентиляционные прорезы
- ③ Боковая рукоятка
- ④ Винт с накатанной головкой
- ⑤ Выключатель
- ⑥ Рукоятка
- ⑦ Переключатель мощности
- ⑧ Разъем на электроинструменте
- ⑨ Кабель электропитания с разъемным штеккерным соединителем с кодировкой
- ⑩ Сервисный индикатор
- ⑪ Индикатор мощности



3.2 Использование по назначению

Описываемое изделие представляет собой электрический отбойный молоток, Он предназначен для выполнения монтажных/демонтажных работ по бетону, кирпичной кладке, камню и асфальту.

- ▶ Его эксплуатация возможна только при напряжении и частоте электросети, которые соответствуют указанным на заводской табличке.

3.3 Возможное использование не по назначению

Этот электроинструмент не предназначен для обработки опасных для здоровья материалов. Этот электроинструмент не предназначен для выполнения работ во влажной среде.

3.4 Active Vibration Reduction (AVR)

Отбойный молоток оснащен системой Active Vibration Reduction (AVR), которая обеспечивает заметное снижение уровня вибрации.

3.5 Индикатор мощности

Отбойный молоток оснащен индикатором мощности со световым сигналом.

С помощью переключателя мощности мощность долбления можно понизить примерно до 70 %. При пониженной мощности загорается индикатор мощности.

3.6 Состояние сервисного индикатора

Отбойный молоток оснащен сервисным индикатором со световым сигналом.

Состояние	Значение
Сервисный индикатор горит красным.	Срок службы электроинструмента достиг предела, при котором требуется сервисное обслуживание. Неисправности в электроинструменте
Сервисный индикатор мигает красным.	Сработала защита от перегрева. Слишком высокое напряжение электропитания.

Своевременно доставляйте электроинструмент в сервисный центр **Hilti**. Благодаря этому обеспечивается его постоянная готовность к работе.

3.7 Комплект поставки

Отбойный молоток, боковая рукоятка, руководство по эксплуатации.

Другие системные принадлежности, допущенные для использования с этим изделием, см. в **Hilti Store** или на сайте www.hilti.group.

4 Технические данные

4.1 Отбойный молоток

Номинальное напряжение, номинальный ток, частота и/или номинальная потребляемая мощность указаны на заводской табличке (данные могут варьироваться в зависимости от экспортного исполнения).

При запитывании от генератора/трансформатора его выходная мощность должна быть как минимум вдвое выше номинальной потребляемой мощности, которая указана на заводской табличке электроинструмента. Рабочее напряжение трансформатора или генератора должно всегда находиться в диапазоне между +5 % и -15 % номинального напряжения электроинструмента.



	TE 1000-AVR
Поколение изделия	02
Масса согласно методу EPTA 01	12,5 кг
Энергия одиночного удара согласно методу EPTA 05	26 Дж

4.2 Данные о шуме и вибрации

Приводимые здесь значения уровня звукового давления и вибрации были измерены согласно стандартизированной процедуре измерения и могут использоваться для сравнения электроинструментов между собой. Они также подходят для предварительной оценки вредных воздействий.

Указанные данные применимы к основным областям применения электроинструмента. Однако, если электроинструмент используется для других целей, с другими рабочими (сменными) инструментами или в случае его неудовлетворительного технического обслуживания, данные могут быть иными. Вследствие этого в течение всего периода работы электроинструмента возможно значительное увеличение вредных воздействий.

Для точного определения вредных воздействий следует также учитывать промежутки времени, в течение которых электроинструмент находится в выключенном состоянии или работает вхолостую. Вследствие этого в течение всего периода работы электроинструмента возможно заметное уменьшение вредных воздействий.

Примите дополнительные меры безопасности для защиты пользователя от воздействия возникающего шума и/или вибраций, например: техническое обслуживание электроинструмента и рабочих (сменных) инструментов, сохранение тепла рук, правильная организация рабочих процессов.

Подробную информацию о версиях примененных здесь стандартов **EN 62841** см. в копии декларации соответствия нормам 178.

Значения уровня шума

Уровень звуковой мощности (L_{WA})	96 дБ(A)
Погрешность уровня звуковой мощности (K_{WA})	3 дБ(A)
Уровень звукового давления (L_{pA})	88 дБ(A)
Погрешность уровня звукового давления (K_{pA})	3 дБ(A)

Данные о шуме и вибрации

Долбление ($a_{h, Chreq}$)	5,9 м/с ²
Коэффициент погрешности (K)	1,5 м/с ²

5 Эксплуатация

5.1 Подготовка к работе

ОСТОРОЖНО

Опасность травмирования! Непреднамеренное включение электроинструмента

- ▶ Перед регулировкой электроинструмента или заменой принадлежностей вынимайте вилку из розетки электросети.

Соблюдайте указания по технике безопасности и предупреждающие указания, приводимые в данном документе и на изделии.

5.1.1 Установка и позиционирование боковой рукоятки

ОСТОРОЖНО

Опасность травмирования Потеря контроля над отбойным молотком.

- ▶ Убедитесь в том, что боковая рукоятка правильно установлена и надежно закреплена.



- ▶ Установите или позиционируйте боковую рукоятку.



При монтаже и позиционировании боковой рукоятки соблюдайте указания из прилагаемого к ней описания.

5.1.2 Съемный кабель электропитания

ОСТОРОЖНО

Опасность травмирования вследствие токов (поверхностной) утечки при загрязнении контактов

- ▶ Разъемный штекерный соединитель следует подключать к электроинструменту только в чистом, сухом и обесточенном состоянии.
- ▶ Подсоедините/отсоедините съемный кабель электропитания.

5.1.2.1 Подсоединение съемного кабеля электропитания

ОСТОРОЖНО

Опасность травмирования вследствие токов (поверхностной) утечки при загрязнении контактов

- ▶ Разъемный штекерный соединитель следует подключать к электроинструменту только в чистом, сухом и обесточенном состоянии.

1. Вставьте разъемный штекерный соединитель с кодировкой до упора в соответствующий разъем на электроинструменте (при правильной фиксации раздается характерный щелчок).



Рекомендуется всегда оставлять кабель закрепленным на электроинструменте для защиты места установки/подсоединения рабочего инструмента/кабеля от пыли и влаги. Кабель следует отсоединять только в случае его обрыва/повреждения.

2. Вставьте вилку кабеля электропитания в розетку электросети.

5.1.2.2 Отсоединение съемного кабеля электропитания от электроинструмента

1. Выньте вилку кабеля электропитания из розетки.
2. Нажмите кнопку фиксации и вытяните разъемный штекерный соединитель с кодировкой.
3. Отсоедините кабель электропитания от электроинструмента.

5.1.3 Установка рабочего инструмента

1. Слегка смажьте хвостовик рабочего инструмента.
2. Вставьте рабочий инструмент в зажимной патрон и проверните его с небольшим усилием, пока рабочий инструмент не зафиксируется со щелчком.
 - ▶ Электроинструмент готов к работе.



Используйте только оригинальную пластичную смазку фирмы **Hilti**. Использование неподходящей пластичной смазки может стать причиной повреждений электроинструмента.

5.1.4 Извлечение рабочего инструмента

ПРЕДУПРЕЖДЕНИЕ

Опасность травмирования Рабочий инструмент по ходу работы может нагреваться. Кроме того, он может иметь острые кромки.

- ▶ При замене рабочего инструмента надевайте защитные перчатки.

ОПАСНО

Опасность возгорания Опасность вследствие контакта нагретого рабочего инструмента с легковоспламеняющимися материалами

- ▶ Не размещайте нагретый рабочий инструмент на легковоспламеняющихся материалах.

1. Потяните зажимной патрон обратно.
2. Извлеките рабочий инструмент.



5.2 Выполнение работ


ОСТОРОЖНО

Опасность повреждения вследствие неправильного обращения!

- ▶ Не нажимайте переключатель направления вращения и/или режима во время работы.

Соблюдайте указания по технике безопасности и предупреждающие указания, приводимые в данном документе и на изделии.


5.2.1 Долбление

-  Зубило можно установить в 6 разных положениях (с шагом 60°). Благодаря этому плоские и фасонные зубила всегда можно установить в оптимально подходящее для работы положение. Слишком слабый нажим приводит к тому, что зубило отскакивает от базового материала. Слишком сильный нажим обуславливает снижение мощности долбления.

1. Вставьте вилку кабеля электропитания в сетевую розетку.
2. Установите зубило на расстоянии прим. 80–100 мм от кромки.
3. Начинайте долбление под углом от 70° до 80° к поверхности бетона и направляйте острие к кромке. Затем направляйте зубило под углом 90° и удаляйте материал.
 - ▶ При долблении материала с арматурными стержнями всегда ведите зубило по кромке материала, а не по арматуре.
4. Периодически поворачивайте зубило для обеспечения его равномерного износа и самозаточки.

5.2.2 Регулировка мощности долбления

- ▶ Нажмите переключатель мощности.
 - ▶ С помощью переключателя мощности мощность долбления можно понизить примерно до 70 %.

-  Регулировка мощности долбления возможна только при включенном электроинструменте. Путем повторного нажатия переключателя выполняется переключение на полную мощность. Если электроинструмент выключить, а затем включить снова, он также переключается на полную мощность.

6 Уход и техническое обслуживание

ПРЕДУПРЕЖДЕНИЕ

Опасность травмирования вследствие удара электрическим током! Выполнение работ по уходу и обслуживанию с подключенной вилкой кабеля электропитания может привести к тяжелым травмам и ожогам.

- ▶ Перед проведением любых работ по уходу и обслуживанию всегда вынимайте из розетки вилку кабеля электропитания!

Уход

- Осторожно удаляйте налипшую грязь.
- Осторожно очищайте вентиляционные прорези сухой щеткой.
- Очищайте корпус только с использованием слегка увлажненной ткани. Не используйте средства по уходу с содержанием силикона, поскольку они могут повредить пластиковые детали.

Техническое обслуживание

ПРЕДУПРЕЖДЕНИЕ

Опасность вследствие удара электрического тока! Неквалифицированный ремонт компонентов электрической части может привести к получению серьезных травм и ожогам.

- ▶ Ремонт электрической части перфоратора поручайте только специалисту-электрику.
- Регулярно проверяйте все видимые части электроинструмента на отсутствие повреждений, а элементы управления — на исправное функционирование.
- При повреждениях и/или функциональных сбоях не используйте электроинструмент. Сразу сдавайте его в сервисный центр **Hilti** для ремонта.



- После ухода за электроинструментом и его технического обслуживания установите все защитные приспособления на место и проверьте их исправное функционирование.



Для обеспечения безопасной эксплуатации используйте только оригинальные запасные части и расходные материалы. Допущенные нами запасные части, расходные материалы и принадлежности для данного изделия вы можете найти в **Hilti Store** или смотрите на www.hilti.group.

6.1 Очистка пылезащитного колпачка

- ▶ Регулярно выполняйте очистку пылезащитного колпачка на зажимном патроне с помощью сухой и чистой ткани.
- ▶ Осторожно протрите уплотнительный язычок начисто и снова смажьте его тонким слоем пластичной смазки **Hilti**.
- ▶ Всегда заменяйте пылезащитный колпачок, если уплотнительный язычок поврежден.

7 Транспортировка и хранение

- Транспортировка электроинструмента с установленным рабочим инструментом запрещается.
- Храните электроинструмент всегда с вынутой вилкой кабеля.
- Храните электроинструмент в сухом виде в недоступном для детей и других лиц, не допущенных к работе с данным электроинструментом, месте.
- После продолжительной транспортировки или длительного хранения перед использованием проверьте электроинструмент на отсутствие повреждений.

8 Помощь при неисправностях

В случае неисправностей, которые не указаны в этой таблице или которые вы не можете устранить самостоятельно, обращайтесь в ближайший сервисный центр **Hilti**.

8.1 Поиск и устранение неисправностей

Неисправность	Возможная причина	Решение
Электроинструмент не включается.	Выполняется инициализация электроники (до 4 с с момента подключения вилки кабеля). Активирована электронная блокировка пуска после сбоя в электропитании.	▶ Выключите электроинструмент, а затем снова включите его.
	Отсутствует электропитание.	▶ Вставьте другой электроинструмент и проверьте функционирование.
	Генератор в режиме ожидания	▶ Подключите к генератору второй потребитель (например, прожектор для стройплощадки). Выключите электроинструмент, а затем снова включите его.
	Неправильно подключен съемный кабель электропитания.	▶ Правильно подсоедините съемный кабель электропитания к электроинструменту.
Сервисный индикатор горит красным.	Инструмент поврежден, или срок его службы достиг предела, при котором требуется сервисное обслуживание.	▶ Сдавайте инструмент в ремонт только в сервисный центр Hilti .
Сервисный индикатор мигает красным.	Слишком высокое напряжение электропитания.	▶ Подключите электроинструмент к другой розетке. Проверьте электросеть.



Неисправность	Возможная причина	Решение
Сервисный индикатор мигает красным.	Сработала защита от перегрева.	▶ Дайте электроинструменту остыть. Очистите вентиляционные отверстия. Работа на холостом ходу допускается.
Не выполняется сверление с ударом.	Электроинструмент слишком холодный.	▶ Установите отбойный молоток на основание и дайте ему поработать в холостом режиме. При необходимости повторяйте процедуру, пока не заработает ударный механизм.
Электроинструмент работает не на полную мощность.	Включена пониженная мощность.	▶ Нажмите переключатель мощности (см. индикатор мощности). Выключите электроинструмент и снова подключите его.
	Удлинительный кабель слишком длинный и/или недостаточного сечения.	▶ Используйте удлинительный кабель допустимой длины и/или с достаточным сечением.
	Слишком низкое напряжение электропитания.	▶ Подключите электроинструмент к другому источнику питания.
Зубило не высвобождается из зажима.	Не полностью оттянут (отжат) зажимной патрон.	▶ Оттяните зажимной патрон до упора назад и извлеките рабочий инструмент.
Электроинструмент выключается во время работы.	Сработала защита от перегрева.	▶ Дайте электроинструменту остыть. Очистите вентиляционные отверстия. Работа на холостом ходу допускается.

9 Утилизация

Большинство материалов, из которых изготовлены электроинструменты **Hilti**, подлежит вторичной переработке. Перед утилизацией следует тщательно рассортировать материалы (для удобства их последующей переработки). Во многих странах фирма **Hilti** уже организовала прием старых (электро)инструментов (изделий) для утилизации. Дополнительную информацию по этому вопросу можно получить в отделе по обслуживанию клиентов или у консультантов по продажам фирмы **Hilti**.



- ▶ Не выбрасывайте электрические инструменты, электронные устройства/приборы и аккумуляторы вместе с обычным мусором!

10 RoHS (Richtlinie zur Beschränkung der Verwendung gefährlicher Stoffe)

По этой ссылке доступна таблица опасных веществ: qr.hilti.com/r9672135.

Ссылку в виде QR-кода на таблицу опасных веществ согласно директиве RoHS см. в конце настоящего документа.

11 Гарантия производителя


- ▶ С вопросами по поводу гарантийных условий обращайтесь в ближайшее представительство **Hilti**.



Orijinal kullanım kılavuzu

1 Kullanım kılavuzu bilgileri

1.1 Bu kullanım kılavuzu hakkında

- **İkaz!** Ürünü kullanmadan önce, talimatlar, güvenlik ve uyarı bilgileri, çizimler ve teknik özellikler dahil olmak üzere ürünle birlikte verilen kullanım kılavuzunu okuduğunuzdan ve anladığınızdan emin olunuz. Özellikle tüm talimatları, güvenlik ve uyarı bilgilerini, çizimleri, teknik özellikleri ve bileşenleri ve fonksiyonları öğreniniz. Aksi takdirde elektrik çarpması, yangın ve/veya ciddi yaralanma tehlikesi meydana gelebilir. Tüm talimatlar, güvenlik ve uyarı bilgileri dahil olmak üzere kullanım kılavuzunu daha sonra kullanmak üzere saklayınız.
- **HILTI** ürünleri profesyonel kullanıcıların kullanımı için öngörülmüştür ve sadece yetkili personel tarafından kullanılabilir ve bakımı yapılabilir. Bu personel, meydana gelebilecek tehlikeler hakkında özel olarak eğitim görmüş olmalıdır. Aletin ve ilgili yardımcı gereçlerin eğitimsiz personel tarafından usulüne uygun olmayan şekilde kullanılması ve amaçları dışında çalıştırılması sonucu tehlikeli durumlar söz konusu olabilir.
- Ekteki kullanım kılavuzu, basım tarihindeki mevcut gelişmiş teknolojiye uygundur. En son sürümü her zaman Hilti ürün sayfasında bulabilirsiniz. Bunu yapmak için, bu kullanım kılavuzundaki  sembolü ile işaretlenmiş bağlantıyı veya QR kodunu kullanınız.
- Ürünü başkalarına sadece bu kullanım kılavuzuyla birlikte veriniz.

1.2 Resim açıklaması

1.2.1 Uyarı bilgileri

Uyarı bilgileri, ürün ile çalışırken ortaya çıkabilecek tehlikelere karşı uyarır. Aşağıdaki uyarı metinleri kullanılır:

TEHLİKE

TEHLİKE !

- Ağır vücut yaralanmalarına veya doğrudan ölüme sebep olabilecek tehlikeler için.

İKAZ

İKAZ !

- Ağır yaralanmalara veya ölüme neden olabilecek tehlikeler için.





DİKKAT

DİKKAT !

- Vücut yaralanmalarına veya maddi hasarlara yol açabilecek olası tehlikeli durumlar için.


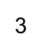
1.2.2 Kullanım kılavuzundaki semboller

Bu kullanım kılavuzunda aşağıdaki semboller kullanılmıştır:


	Kullanım kılavuzuna dikkat edilmelidir
	Kullanım uyarıları ve diğer gerekli bilgiler
	Geri dönüşümlü malzemeler ile çalışma
	Elektrikli aletleri ve aküleri evdeki çöplere atmayınız

1.2.3 Çizimlerdeki semboller

Çizimlerde aşağıdaki semboller kullanılmıştır:

	Bu sayılar, kullanım kılavuzunun başlangıcındaki ilgili çizime atanmıştır.
	Çizimlerdeki numaralandırma, önemli çalışma adımlarını veya çalışma adımları için önemli olan yapı parçalarını gösterir. Metinde, bu çalışma adımları veya yapı parçasına karşılık gelen sayılarla vurgulanmıştır, örn. (3).




11	Pozisyon numaraları Genel bakış çiziminde kullanılır ve Ürüne genel bakış bölümündeki açıklama numaralarına referans niteliğindedir.
	Bu işaret, ürün ile çalışırken dikkatinizi çekmek için koyulmuştur.

1.3 Üründeki semboller

1.3.1 Üründeki semboller

Üründe aşağıdaki semboller kullanılmıştır:

	Koruma sınıfı II (çift izolasyonlu)
---	-------------------------------------

2 Güvenlik

2.1 Elektrikli el aletleri için genel güvenlik uyarıları

⚠ İKAZ Bu elektrikli el aletine yönelik tüm güvenlik uyarılarını, talimatları, resimli açıklamaları ve teknik verileri dikkatlice okuyunuz. Aşağıdaki talimatlara uyulmaması durumunda elektrik çarpması, yangın ve/veya ağır yaralanmalar söz konusu olabilir.

Tüm güvenlik uyarılarını ve kullanım talimatlarını muhafaza ediniz.

Güvenlik uyarılarında kullanılan "Elektrikli el aleti terimi, şebeke işletimli elektrikli el aletleri (şebeke kablosu ile) veya akü işletimli elektrikli el aletleri (şebeke kablosu olmadan) ile ilgilidir.

İş yeri güvenliği

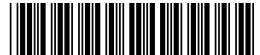
- ▶ **Çalışma alanınızı temiz ve aydınlık tutunuz.** Dzensiz veya aydınlatma olmayan çalışma alanları kazalara yol açabilir.
- ▶ **Yanıcı sıvıların, gazların veya tozların bulunduğu patlama tehlikesi olan yerlerde elektrikli el aleti ile çalışmayınız.** Elektrikli el aletleri, toz veya buharı yakabilecek kıvılcım oluşturur.
- ▶ **Elektrikli el aletini kullanırken çocukları ve diğer kişileri uzak tutunuz.** Dikkatiniz dağılırsa aletin kontrolünü kaybedebilirsiniz.

Elektrik güvenliği

- ▶ **Elektrikli el aletin bağlantı fişi prize uygun olmalıdır. Fiş hiçbir şekilde değiştirilmemelidir. Adaptör fişini topraklama korumalı elektrikli el aletleri ile birlikte kullanmayınız.** Değiştirilmemiş fişler ve uygun prizler elektrik çarpması riskini azaltır.
- ▶ **Borular, radyatörler, fırınlar ve buzdolapları gibi toprağa temas eden üst yüzeylere vücudunuzla temas etmekten kaçınınız.** Vücudunuzun toprakla teması var ise yüksek bir elektrik çarpması riski söz konusudur.
- ▶ **Elektrikli el aletini yağmurdan veya ıslaklıktan uzak tutunuz.** Elektrikli el aletine su girmesi, elektrik çarpması riskini artırır.
- ▶ **Elektrikli el aletini taşımak, asmak veya fişi prizden çekmek için bağlantı kablosunu kullanım amacı dışında kullanmayınız.** Bağlantı kablosunu sıcaktan, yağdan, keskin kenarlardan ve hareketli parçalardan uzak tutunuz. Hasarlı veya dolanmış bağlantı kabloları elektrik çarpması riskini artırır.
- ▶ **Elektrikli bir el aleti ile açık alanda çalışacaksanız, sadece dışarda kullanımına izin verilen uzatma kabloları kullanınız.** Dış mekanlar için uygun olan uzatma kablolarının kullanılması elektrik çarpması riskini azaltır.
- ▶ **Elektrikli el aleti işletiminin nemli ortamda yapılması kaçınılmaz ise bir kaçak akım koruma şalteri kullanınız.** Bir kaçak akım koruma şalterinin kullanımı elektrik çarpması riskini azaltır.

Kişilerin güvenliği

- ▶ **Dikkatli olunuz, ne yaptığınızı dikkat ediniz ve elektrikli el aleti ile mantıklı bir şekilde çalışınız.** Yorgunsanız veya uyuşturucu, alkol veya ilaç etkisi altında olduğunuzda elektrikli el aleti kullanmayınız. Elektrikli el aletini kullanırken bir anlık dikkatsizlik ciddi yaralanmalara neden olabilir.
- ▶ **Kişisel koruyucu donanım ve her zaman bir koruyucu gözlük takınız.** Elektrikli el aletinin türüne ve kullanımına göre toz maskesi, kaymayan güvenlik ayakkabısı, koruyucu kask veya kulaklık gibi kişisel koruyucu donanımların kullanılması yaralanma riskini azaltır.
- ▶ **İstem dışı çalışmayı önleyiniz. Güç kaynağına ve/veya aküyü bağlamadan, girişini yapmadan veya taşımadan önce elektrikli el aletinin kapalı olduğundan emin olunuz.** Elektrikli el aletini taşıırken parmağınız şalterde ise veya alet açık konumda güç kaynağına takılırsa bu durum kazalara yol açabilir.
- ▶ **Elektrikli el aletini devreye almadan önce ayar aletlerini veya vidalama anahtarlarını çıkartınız.** Dönen bir alet parçasında bulunan bir alet veya anahtar yaralanmalara yol açabilir.



- ▶ **Aşırı bir vücut hareketinden sakınınız. Güvenli bir duruş sağlayınız ve her zaman dengeli tutunuz.** Böylece beklenmedik durumlarda elektrikli el aletini daha iyi kontrol edebilirsiniz.
- ▶ **Uygun kıyafetler giyiniz. Bol kıyafetler giymeyiniz veya takı takmayınız. Saçları, kıyafetleri ve eldivenleri hareket eden parçalardan uzak tutunuz.** Bol kıyafetler, takı veya uzun saçlar hareket eden parçalara takılabilir.
- ▶ **Toz emme ve tutma tertibatları monte edilebiliyorsa bunların bağlı olduğundan ve doğru kullanıldığında emin olunuz.** Bu toz emme tertibatının kullanımı tozdan kaynaklanabilecek tehlikeleri azaltabilir.
- ▶ **Kendi güvenliğinizi riske atmayınız ve elektrikli el aletleri kullanımında son derece tecrübeli olsanız bile ilgili güvenlik kurallarını ihlal etmeyiniz.** Dikkatsiz kullanım saniyeler içerisinde ciddi yaralanmalara neden olabilir.

Elektrikli el aletinin kullanımı ve çalıştırılması

- ▶ **Aleti çok fazla zorlamayın. Çalışmanız için uygun olan elektrikli el aletini kullanın.** Uygun elektrikli el aleti ile bildirilen hizmet alanında daha iyi ve güvenli çalışsınız.
- ▶ **Şalteri bozuk olan elektrikli el aletini kullanmayınız.** Açılıp kapatılmayan bir elektrikli el aleti tehlikelidir ve tamir edilmesi gerekir.
- ▶ **Alet ayarlarını yapmadan, aksesuar parçalarını değiştirmeden veya aleti bir yere koymadan önce fişi prizden ve/veya (çıkarılabilir) aküyü aletten çıkarınız.** Bu önlem, elektrikli el aletinin istem dışı çalışmasını engeller.
- ▶ **Kullanılmayan elektrikli el aletlerini çocukların erişemeyeceği yerde muhafaza edin. Aleti iyi tanımayan veya bu talimatları okumamış kişilere aleti kullanırmayınız.** Elektrikli el aletleri bilgisiz kişiler tarafından kullanılırsa tehlikelidir.
- ▶ **Elektrikli el aletlerinin ve aksesuarlarının bakımını titizlikle yapınız. Hareketli parçaların kusursuz çalıştığı ve sıkışmadığı, parçaların kırılıp kırılmadığı veya hasar görüp görmediği, elektrikli el aleti fonksiyonlarının kısıtlanma durumlarını kontrol ediniz. Hasarlı parçaları aleti kullanmadan önce tamir ettiriniz.** Birçok kazanın nedeni bakımı kötü yapılan elektrikli el aletleridir.
- ▶ **Kesme aletlerini keskin ve temiz tutun.** Özenle bakımı yapılmış keskin bıçak kenarı olan kesme aletleri daha az sıkışır ve kullanımı daha rahattır.
- ▶ **Elektrikli el aletini, aksesuarları, ek aletleri vb. bu talimatlara göre kullanın. Çalışma şartlarını ve yapılacak işi de ayrıca göz önünde bulundurun.** Elektrikli el aletlerinin öngörülen kullanımı dışında kullanılması tehlikeli durumlara yol açabilir.
- ▶ **Tutamağı ve tutamak yüzeylerini daima temiz ve yağ ve gresten arındırılmış durumda tutunuz.** Kaygan tutamaklar ve tutamak yüzeyleri güvenli bir kullanımı ve öngörülemeyen durumlarda elektrikli el aletinin kontrolünü engeller.

Servis

- ▶ **Elektrikli el aletinizi sadece kalifiye uzman personele ve sadece orijinal yedek parçalar ile tamir ettiriniz.** Böylece elektrikli el aletinin güvenliğinin korunduğundan emin olunur.

2.2 Kırcı-delici için güvenlik uyarıları

Tüm çalışmalara yönelik güvenlik uyarıları

- ▶ **Kulaklık takınız.** Aşırı sestən dolayı duyma kaybı meydana gelebilir.
- ▶ **Aletle birlikte verilen ek tutamakları kullanınız.** Kontrol kaybı yaralanmalara yol açabilir.
- ▶ **Kullandığınız aletin gizli elektrik hatlarına veya kendi şebeke kablosuna isabet edebileceği çalışmalar yapıyorsanız aleti sadece izolasyonlu tutamaklardan tutunuz.** Elektrik ileten bir hat ile temasta metal parçalar da gerilim altında kalır ve elektrik çarpmasına neden olabilir.

2.3 Ek güvenlik uyarıları

Kişilerin güvenliği

- ▶ **Ürünü sadece teknik açıdan sorunsuz durumdayken kullanınız.**
- ▶ **Alette hiçbir zaman manipülasyonlar veya değişiklikler yapmayınız.**
- ▶ **Kullanıcı ve çevresinde bulunan kişiler, aletin kullanımı sırasında uygun bir koruyucu gözlük, koruyucu kask, koruyucu eldiven ve koruyucu ayakkabı giymelidir.**
- ▶ **Alet kullanımında ısındığından dolayı alet değiştirmek için koruyucu eldiveni takınız.**
- ▶ **Kırma çalışmalarında, çalışılacak yerin karşı tarafında bulunan bölgeyi emniyete alınız. Kırılan parçalar dışarı ve / veya yere düşebilir ve diğer kişilerin yaralanmasına sebep olabilir.**
- ▶ **Yan tutamağın doğru monte edildiğinden ve usulüne uygun şekilde sabitlendiğinden emin olunuz. Aleti, her zaman iki elinizle öngörülen tutamaklardan sıkıca tutunuz. Tutamakları kuru, temiz, yağsız ve gressiz bir şekilde tutunuz.**



- ▶ Parmaklarınızdaki kan dolaşımının daha iyi olması için çalışma molaları veriniz ve parmak egzersizleri yapınız. Uzun süreli çalışmalarda titreşimden dolayı parmaklar, eller veya bileklerdeki kan damarlarında veya sinir sisteminde rahatsızlıklar oluşabilir.
- ▶ Bu alet gözetim altında olmayan yetersiz güçteki kişiler için uygun değildir.
- ▶ Aleti çocuklardan uzak tutunuz.
- ▶ Çalışmaya başlamadan önce çalışma sırasında ortaya çıkan tozun tehlike sınıfını öğreniniz. Ülkenizdeki tozdan koruma yönergelerine uygun bir resmi koruma sınıfına sahip toz emme tertibatı kullanınız.
- ▶ Mümkün oldukça, bir toz emici ve uygun, taşınabilir bir toz ayırıcı kullanınız. Kurşun içeren boyalar gibi malzemelerin tozu, bazı ahşap türleri, kuartz içeren beton / duvar / taşlar, mineraller ve metaller sağlığa zarar verebilir.
- ▶ Çalışma yerinin iyi havalandırmasını sağlayınız ve gerektiği durumlarda ilgili toz için uygun olan bir maske kullanınız. Tozlara dokunulması veya tozların solunması, kullanıcıda veya yakınında bulunan kişilerde alerjik reaksiyonlara ve/veya solunum yolu hastalıklarına yol açabilir. Kayın veya meşe ağacı gibi belli tür tozlar özellikle ahşap işlemede ek maddelerle (kromat, ahşap koruyucu malzemeler) bağlantılı çalışıldığında kanser yapıcı olarak kabul edilir. Asbest içerikli malzemeler sadece uzman kişiler tarafından işlenmelidir.
- ▶ İşleri inşaat bölümüne onaylatınız. Binalardaki ve diğer yapılardaki işler, özellikle demir ve taşıyıcı elemanların kesilmesinde statik etki edebilir.

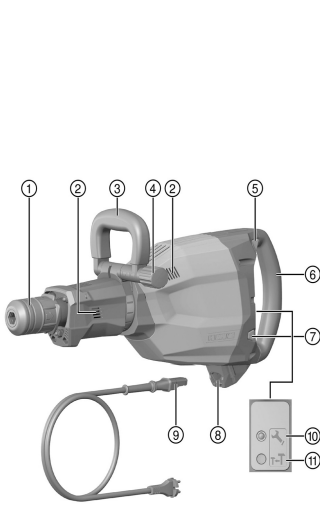
Elektrik güvenliği

- ▶ Çalışmaya başlamadan önce çalışma alanında üzeri kapatılmış elektrik kablosu, gaz ve su borusu bulunup bulunmadığını kontrol ediniz. Bir elektrik hattına kazara zarar verilmesi halinde, aletin dışındaki metal parçalar elektrik çarpmasına neden olabilir.
- ▶ Aletin bağlantı hatlarını düzenli olarak kontrol ediniz ve hasar durumunda bunu yetkili bir uzmana değiştiriniz. Elektrikli el aletinin bağlantı hattı hasar gördüğünde, bu hat müşteri hizmetleri organizasyonundan elde edebileceğiniz özel üretilmiş ve yasal olarak kullanım iznine sahip bir bağlantı hattı ile değiştirilmelidir. Uzatma hatlarını düzenli olarak kontrol ediniz ve hasar görmüş ise değiştiriniz. Çalışma esnasında şebeke veya uzatma kablosu hasar görürse bu kabloya dokunmamalısınız. Şebeke fişi prizden çekilmelidir. Hasarlı bağlantı ve uzatma kabloları elektrik çarpması nedeniyle tehlike oluşturur.
- ▶ İletken malzemelerin sık işlenmesi durumunda, kirlenen aletleri düzenli aralıklarla **Hilti** Servisi'ne kontrol ettiriniz. Alet üst yüzündeki toz, özellikle iletken malzeme veya nem, uygunsuz kullanımlar sonucu elektrik çarpmasına yol açabilir.
- ▶ Akım kesintisinde cihazı kapatınız ve şebeke fişini çekiniz. Böylece elektrik geri geldiği zaman aletin istem dışı çalışması engellenir.



3 Tanımlama

3.1 Ürüne genel bakış



- ① Alet bağlantı yeri
- ② Havalandırma delikleri
- ③ Yan tutamak
- ④ Sap
- ⑤ Açma/kapatma şalteri
- ⑥ Tutamak
- ⑦ Güç seçim şalteri
- ⑧ Elektrikli el aleti bağlantısı
- ⑨ Kodlanmış, çekilebilir konektörlü şebeke kablosu
- ⑩ Servis göstergesi
- ⑪ Güç seçim göstergesi

3.2 Usulüne uygun kullanım

Açıklanan ürün, zorlu kesileme işlerinde kullanılan elektrikle çalışan bir keski tabancasıdır.

Bu alet beton, duvar, taş ve asfalt yüzeylerdeki sökme ve kırma işleri için tasarlanmıştır.

► Çalışma sadece tip plakasında verilen şebeke gerilimi ve frekansta gerçekleşmelidir.

3.3 Olası yanlış kullanım

Bu ürün, sağlığa zararlı malzemelerin işlenmesi için uygun değildir.

Bu ürün, nemli ortamlardaki çalışmalar için uygun değildir.

3.4 Active Vibration Reduction (AVR)

Keski tabancasında bir Active Vibration Reduction (AVR) sistemi mevcuttur. Bu sistem titreşimin önemli oranda azaltılmasını sağlar.

3.5 Güç seçim göstergesi

Keski tabancasında ışıklı sinyali bulunan bir güç seçim göstergesi mevcuttur.

Güç seçme şalterine basarak kesileme gücünü yaklaşık % 70 oranında azaltabilirsiniz. Azaltılmış güç durumunda güç seçme göstergesi yanar.

3.6 Servis göstergesi durumu

Keski tabancasında ışık sinyali bulunan bir servis göstergesi mevcuttur.



Durum	Anlamı
Servis göstergesi kırmızı yanıyor.	Servis ömrüne ulaşıldı. Alette hasar.
Servis göstergesi kırmızı yanıp sönüyor.	Aşırı sıcaklık koruması. Güç kaynağının gerilimi çok yüksek.



Ürünü zamanında Hilti Service'ye getiriniz. Bu sayede her zaman çalışmaya hazır kalır.

3.7 Teslimat kapsamı

Keski tabancası, yan tutamak, kullanım kılavuzu.

Ürün için izin verilen diğer sistem ürünlerini **Hilti Store**'da veya şu adreste bulabilirsiniz: www.hilti.group

4 Teknik veriler

4.1 Keski tabancası



Nominal gerilim, nominal akım, frekans ve/veya nominal akım tüketimi değerlerini ülkenize özgü tip plakasında bulabilirsiniz.

Jeneratörlü veya transformatörlü bir işletim durumunda çıkış gücü, aletin tip plakasında belirtilen nominal akım tüketiminin en az iki katı büyüklüğünde olmalıdır. Transformatörün veya jeneratörün çalışma gerilimi her zaman alet nominal geriliminin % +5'i ile % -15'i arasında olmalıdır.

	TE 1000-AVR
Ürün nesli	02
EPTA prosedürü 01 uyarınca ağırlık	12,5 kg
EPTA prosedürü 05 uyarınca tek darbe enerjisi	26 J

4.2 Ses bilgisi ve titreşim değerleri

Bu talimatlarda belirtilen ses basıncı ve titreşim değerleri, ilgili normlara uygun bir ölçüm metodu ile ölçülmüştür ve elektrikli el aletlerinin birbirleri ile karşılaştırılması için kullanılabilir. Zorlanmaların geçici olarak değerlendirilmesine de uygundur.

Belirtilen değerler, elektrikli el aletinin ana kullanım alanlarını temsil eder. Elektrikli el aletinin, farklı ek aletlerle veya yetersiz bakım yapılmış şekilde kullanılması durumunda, veriler sapma gösterebilir. Bu durum, toplam çalışma süresi boyunca zorlanmayı belirgin şekilde yükseltebilir.

Doğru bir zorlanma değerlendirmesi için elektrikli el aletinin kapatıldığı veya çalışır konumda olduğu ve ayrıca kullanımda olmadığı zamanlar da dikkate alınmalıdır. Bu durum, toplam çalışma süresi boyunca zorlanmayı belirgin şekilde azaltabilir.

Kullanıcıyı ses ve/veya titreşimin etkilerinden koruyacak ek güvenlik önlemleri belirleyiniz, örneğin: Elektrikli el aletinin ve ek aletlerin bakımının yapılması, ellerin sıcak tutulması, iş akışlarının düzenlenmesi.



Burada uygulanan **EN 62841** standartlarının versiyonları hakkında ayrıntılı bilgi, uygunluk beyanının görüntüsünde 178 bulunabilir.

Ses emisyonu değerleri

Ses gücü seviyesi (L_{WA})	96 dB(A)
Ses gücü seviyesi için emniyetsizlik (K_{WA})	3 dB(A)
Emisyon ses basıncı seviyesi (L_{pA})	88 dB(A)
Ses basıncı seviyesi için emniyetsizlik (K_{pA})	3 dB(A)

Ses bilgisi ve titreşim değerleri

Keskinleme ($a_{h, Cheq}$)	5,9 m/sn ²
Emniyetsizlik (K)	1,5 m/sn ²



5 Kullanım

5.1 Çalışma hazırlığı

DİKKAT

Yaralanma tehlikesi! Ürünün yanlışlıkla çalışmaya başlaması.

- ▶ Aletin ayarlarını yapmadan veya aksesuar parçalarını değiştirmeden önce şebeke fişini çekin.

Bu dokümanda ve ürün üzerinde bulunan güvenlik ve uyarı bilgilerine dikkat ediniz.

5.1.1 Yan tutamak montajı ve ayarlanması

DİKKAT

Yaralanma tehlikesi Keski tabancası üzerindeki kontrolün kaybedilmesi.

- ▶ Yan tutamağın doğru monte edildiğinden ve usulüne uygun şekilde sabitlendiğinden emin olunuz.
- ▶ Yan tutamağı monte ediniz veya ayarlayınız.



Ayrıca yan tutamakta bulunan açıklamaya da dikkat ediniz.

5.1.2 Geçmeli şebeke kablosu

DİKKAT

Yaralanma tehlikesi Kirlenmiş kontaklardaki kaçak akımlar nedeniyle.

- ▶ Çıkarılabilir elektrik soket bağlantısını sadece temiz, kuru ve gerilimsiz bir durumdayken elektrikli el aletine bağlayınız.
- ▶ Geçmeli şebeke kablosunun bağlanması/ayrılması.

5.1.2.1 Geçmeli şebeke kablosunun bağlanması

DİKKAT

Yaralanma tehlikesi Kirlenmiş kontaklardaki kaçak akımlar nedeniyle.

- ▶ Çıkarılabilir elektrik soket bağlantısını sadece temiz, kuru ve gerilimsiz bir durumdayken elektrikli el aletine bağlayınız.
1. Kodlanmış, sökülebilir elektrikli soket bağlantısını dayanak noktasına kadar alete yerleştiriniz, kilit duyulur şekilde yerine oturuncaya kadar itiniz.



Alet/kablo arayüzünü toz ve nemden korumak için kabloyu her zaman alete takılı bırakmanızı öneririz. Kablo sadece kopma/hasar durumunda ayrılmalıdır.

2. Şebeke fişini prize takınız.

5.1.2.2 Geçmeli şebeke kablosunun elektrikli el aletinden ayrılması

1. Şebeke fişini prizden çekiniz.
2. Kodlanmış, sökülebilir kilitleme tuşuna basınız ve Kodlanmış, sökülebilir elektrikli soket bağlantısını sökünüz.
3. Şebeke kablosunu aletten çıkarınız.

5.1.3 Ek aletin yerleştirilmesi

1. Ek aletin giriş ucunu gresle hafifçe yağlayınız.
2. Ek aleti alet bağlantı yerine takınız ve hafifçe bastırarak duyulur şekilde yerine oturana kadar döndürünüz.
 - ▶ Ürün kullanıma hazırdır.



Sadece Hilti marka orijinal gres kullanınız. Uygun olmayan bir gres kullanılması, üründe hasarlara neden olabilir.



5.1.4 Ek aletin çıkarılması

İKAZ

Yaralanma tehlikesi Alet kullanım sırasında ısınır ve kenarları keskinleşebilir.

- ▶ Alet değişimi sırasında koruyucu eldiven takılmalıdır.

TEHLİKE

Yangın tehlikesi Sıcak alet ile yanıcı malzemelerin temas etmesi durumunda tehlike.

- ▶ Aleti yanıcı malzemelerin üzerine koymayınız.

1. Alet bağlantı yerini geri çekiniz.
2. Aleti çıkartınız.

5.2 Çalışma

DİKKAT

Hasar tehlikesi yanlış kullanım nedeniyle!

- ▶ Şalteri dönüş yönü ve/veya fonksiyon seçimi için çalışma esnasında çalıştırmayınız.

Bu dokümanda ve ürün üzerinde bulunan güvenlik ve uyarı bilgilerine dikkat ediniz.

5.2.1 Keskilme



Keski, 6 farklı konumda (60°'lik kademelerle) ayarlanabilir. Böylece yassı ve kalıp keskiler ile her zaman en uygun çalışma konumunda çalışılabilir.

Çok düşük baskı basıncı keskinin sıçramasına neden olur. Çok yüksek baskı basıncı keskilme gücünde azalmaya neden olur.

1. Şebeke fişini prize takınız.
2. Keskiyi kenara yakl. 80-100 mm (3¼" - 4") mesafede konumlandırınız.
3. Beton üst yüzey için keskilme işlemine 70°- 80°'lik bir açıyla başlayınız ve ucu kenara doğru yönlendiriniz. Ardından açığı 90°'ye getiriniz ve malzemeyi kırınız.
 - ▶ Donatı demiri mevcutsa keskiyi her zaman malzeme kenarına karşı konumlandırınız, donatı demirine konumlandırmayınız.
4. Keskiyi düzenli şekilde döndürünüz, bu sayede eşit dağılımlı aşınma etkisinin kendi kendini bileme prosesini desteklemesini sağlarsınız.

5.2.2 Keskilme gücünün ayarlanması

- ▶ Güç seçme şalterine basınız.
 - ▶ Güç seçme şalterine basarak keskilme gücünü yaklaşık % 70 oranında azaltabilirsiniz.



Keskilme gücünün ayarlanması sadece işletim durumu açıkken mümkündür. Güç seçme şalterine tekrar basarak tam keskilme gücü tekrar devreye alınabilir. Alet kapatılıp yeniden açılırsa tam keskilme gücü muhtemelen tekrar devreye girer.

6 Bakım ve onarım

İKAZ

Elektrik çarpması tehlikesi! Şebeke fişi takılıyken yapılan bakım ve onarım çalışmaları ciddi yaralanmalara ve yanıklara neden olabilir.

- ▶ Tüm bakım ve onarım çalışmalarından önce her zaman şebeke fişi çekilmelidir!

Bakım

- Yapışmış olan kir dikkatlice çıkarılmalıdır.
- Havalandırma deliklerini kuru bir fırça ile dikkatlice temizleyiniz.
- Gövde sadece hafif nemli bir bezle temizlenmelidir. Plastik parçalara yapışabileceğinden silikon içerikli bakım maddeleri kullanılmamalıdır.



Bakım**⚠ İKAZ**

Elektrik çarpması tehlikesi! Elektrikli parçalarda usulüne uygun olmayan onarımlar ciddi yaralanmalara ve yanıklara neden olabilir.

- ▶ Elektrik parçalarındaki onarımlar sadece elektronik uzmanı tarafından yapılabilir.
- Görünür tüm parçalarda hasar olup olmadığı ve kumanda elemanlarının sorunsuz şekilde çalıştığı kontrol edilmelidir.
- Hasar ve/veya fonksiyon arızaları durumunda ürün çalıştırılmamalıdır. Derhal **Hilti** servisi tarafından onarılmalıdır.
- Bakım ve onarım çalışmalarından sonra tüm koruma tertibatları yerleştirilmeli ve fonksiyonları kontrol edilmelidir.



Güvenli çalışma için sadece orijinal yedek parçalar ve sarf malzemeleri kullanınız. Tarafımızdan onaylanmış, yedek parçaları, aksesuarları ve sarf malzemelerini **Hilti Store** veya şu adreste bulabilirsiniz: www.hilti.group.

6.1 Tozdan koruma kapağının temizlenmesi

- ▶ Tozdan koruma kapağını düzenli bir şekilde alet bağlantı yerinden temiz, kuru bir bez ile temizleyiniz.
- ▶ Conta ağızını dikkatlice silerek temizleyiniz ve hafifçe **Hilti** yağı ile yağlayınız.
- ▶ Conta ağızı hasarlı ise tozdan koruma kapağı mutlaka değiştirilmelidir.

7 Taşıma ve depolama

- Elektrikli cihazı takımlar takılı iken taşımayınız.
- Elektrikli cihazı daima şebeke fişi çekili olarak saklayınız.
- Aleti çocukların ve yetkisz kişilerin erişemeyeceği ve kuru yerlerde saklayınız.
- Uzun süren nakliye veya depolama sonrası kullanmadan önce elektrikli aletin hasar görmüş olup olmadığını kontrol ediniz.

8 Arıza durumunda yardım

Bu tabloda listelenmemiş veya kendi başınıza gideremediğiniz arızalarda lütfen yetkili **Hilti** servisimiz ile irtibat kurunuz.


8.1 Hata arama

Arıza	Olası sebepler	Çözüm
Alet çalışmıyor.	Elektronik başlatılıyor (soket takıldıktan itibaren yaklaşık 4 saniyede). Elektronik çalışma blokajı güç kaynağı kesikliğinden sonra aktiftir.	▶ Aleti kapatınız ve tekrar açınız.
	Şebeke güç kaynağı kesilmiş.	▶ Başka bir elektrikli alet takınız ve çalışıp çalışmadığını kontrol ediniz.
	Jeneratör uyku modunda.	▶ Jeneratörü ikinci bir tüketici (örneğin şantiye lambası) ile yük altına alınız. Ardından aleti kapatınız ve tekrar açınız.
	Geçmeli şebeke kablosu doğru takılmamış.	▶ Geçmeli şebeke kablosunu elektrikli el aletine doğru şekilde bağlayınız.
Servis göstergesi kırmızı yanıyor.	Alette arıza ortaya çıktı veya servis zamanı geldi.	▶ Ürün sadece Hilti Service tarafından onarılmalıdır.
Servis göstergesi kırmızı yanıp sönüyor.	Güç kaynağının gerilimi çok düşük.	▶ Prizi değiştiriniz. Şebekeyi kontrol ediniz.



Anıza	Olası sebepler	Çözüm
Servis göstergesi kırmızı yanıp sönüyor.	Aşırı sıcaklık koruması.	► Aleti soğumaya bırakınız. Havalandırma deliklerini temizleyiniz. Boşta çalışmaya devam edilebilir.
Darbe yok.	Alet çok soğuk.	► Keski tabancasını zemine yerleştiriniz ve boşta çalıştırınız. Darbe mekanizması çalışıncaya kadar gerektiği kadar tekrarlayınız.
Alet, tam güce sahip değil.	Güç azaltma işlemi aktifleştirildi.	► Güç seçimi şalterine basılmalıdır (güç seçimi göstergesine dikkat edilmelidir). Aletin fişi çıkarılıp tekrar takılmalıdır.
	Uzatma kablosu çok uzun ve / veya kesitleri yetersiz.	► Uzatma kablosu izin verilen uzunlukta ve / veya yeterli kesitte kullanılmalıdır.
	Güç kaynağının gerilimi çok düşük.	► Aleti başka bir güç kaynağına bağlayınız.
Keski kilitten çözülüyor.	Alet bağlantı yeri tam olarak geri çekilmemiş.	► Alet sürgüsünü dayanağa kadar geri çekiniz ve aleti dışarı çıkartınız.
Alet çalışma sırasında kapanıyor.	Aşırı sıcaklık koruması.	► Aleti soğumaya bırakınız. Havalandırma deliklerini temizleyiniz. Boşta çalışmaya devam edilebilir.

9 İmha

 **Hilti** aletleri yüksek oranda geri dönüşümlü malzemelerden üretilmiştir. Geri dönüşüm için gerekli koşul, usulüne uygun malzeme ayırımıdır. Çoğu ülkede **Hilti**, eski aletlerini yeniden değerlendirmek üzere geri alır. Bu konuda **Hilti** müşteri hizmetlerinden veya satış temsilcinizden bilgi alabilirsiniz.



- Elektrikli el aletlerini, elektronik cihazları ve aküleri evdeki çöplere atmayınız!

10 RoHS (Richtlinie zur Beschränkung der Verwendung gefährlicher Stoffe)

Aşağıdaki linkte tehlikeli maddeler tablosunu bulabilirsiniz: qr.hilti.com/r9672135.
RoHS tablosunun linkini bu dokümanın sonunda karekod olarak bulabilirsiniz.

11 Üretici garantisi


- Garanti koşullarına ilişkin sorularınız için lütfen yerel **Hilti** iş ortağınıza başvurunuz.



دليل الاستعمال الأصلي

1 بيانات بخصوص دليل الاستعمال

1.1 خاص بدليل الاستعمال هذا

- **تحذير!** قبل أن تستخدم المنتج، تأكد أنك قد قرأت واستوعبت دليل الاستعمال المرفق مع المنتج، بما في ذلك الإرشادات وتعليمات السلامة والتحذير والصور والمواصفات. تعرف بصفة خاصة على جميع الإرشادات وتعليمات السلامة والتحذير والصور والمواصفات وكذلك المكونات والوظائف. في حالة عدم مراعاة ذلك، يكون هناك خطر حدوث صعق كهربائي أو نشوب حريق و/أو وقوع إصابات بالغة. احتفظ بدليل الاستعمال شاملاً جميع الإرشادات وتعليمات السلامة والتحذير للاستخدام اللاحق.
- منتجات **HILTI** مصممة للمستخدمين المحترفين ويقتصر استعمالها وصيانتها وإصلاحها على الأشخاص المعتمدين والمدربين جيداً. هؤلاء الأشخاص يجب أن يكونوا قد تلقوا تدريباً خاصاً على الأخطار الطارئة. قد يتسبب الجهاز وأدواته المساعدة في حدوث أخطار إذا تم التعامل معها بشكل غير سليم فنياً من قبل أشخاص غير مدربين أو تم استخدامها بشكل غير مطابق للتعليمات.
- دليل الاستعمال المرفق يتطابق مع الوضع الحالي للتقنية وقت الطباعة. يمكنك دائماً العثور على الإصدار أونلاين على صفحة المنتج Hilti. ولهذا الغرض، اتبع الرابط أو كود QR في دليل الاستعمال هذا والمميز بالرمز .
- لا يجوز تسليم المنتج إلى أي شخص إلا مع دليل الاستعمال هذا.

2.1 شرح العلامات

1.2.1 إرشادات تحذيرية

تنبه الإرشادات التحذيرية إلى الأخطار الناشئة عند التعامل مع الجهاز. يتم استخدام الكلمات الدلالية التالية:



خطر

خطر!

◀ تشير لخطر مباشر يؤدي لإصابات جسدية خطيرة أو إلى الوفاة.



تحذير

تحذير!

◀ تشير لخطر محتمل قد يؤدي لإصابات جسدية خطيرة أو إلى الوفاة.







احترس:

احترس!

◀ تشير لموقف خطر محتمل يمكن أن يؤدي لإصابات جسدية أو أضرار مادية.

2.2.1 الرموز في دليل الاستعمال

يتم استخدام الرموز التالية في دليل الاستعمال هذا:

يراعى دليل الاستعمال	
إرشادات الاستخدام ومعلومات أخرى مفيدة.	
التعامل مع مواد قابلة لإعادة التدوير	
لا تتخلص من الأجهزة الكهربائية البطاريات ضمن القمامة المنزلية	

3.2.1 الرموز في الصور

تستخدم الرموز التالية في الرسوم التوضيحية:

2 تشير هذه الأعداد إلى الصورة المعنية في بداية دليل الاستعمال هذا.



3	تشير الأرقام في الصور إلى خطوات العمل المهمة أو إلى الأجزاء المهمة لخطوات العمل. يتم إبراز هذه الخطوات أو الأجزاء في النص من خلال الأرقام، على سبيل المثال (3).
11	يتم استخدام أرقام المواضع في صورة العرض العام وهي تشير إلى أرقام تعليق الصورة في فصل عرض عام للمنتج.
	هذه العلامة من شأنها أن تثير انتباهك جيدا عند التعامل مع المنتج.

3.1 الرموز على المنتج

1.3.1 الرموز على المنتج

يتم استخدام الرموز التالية على المنتج:

فئة الحماية II (عزل مزدوج)

2 السلامة

1.2 إرشادات السلامة العامة المتعلقة بالأدوات الكهربائية

⚠ تحذير احرص على قراءة جميع إرشادات السلامة، التوجيهات، الصور التوضيحية والمواصفات الفنية المرفقة مع هذه الأداة الكهربائية. أي تقصير أو إهمال في الالتزام بالتعليمات التالية قد يتسبب في حدوث صعق كهربائي، نشوب حريق و/أو وقوع إصابات خطيرة.

احتفظ بجميع مستندات إرشادات السلامة والتعليمات لاستخدامها عند الحاجة إليها فيما بعد. يقصد بمصطلح «الأداة الكهربائية» المذكور في إرشادات السلامة الأدوات الكهربائية المشغلة بالكهرباء (باستخدام كابل الكهرباء) أو الأدوات الكهربائية المشغلة بالبطاريات (بدون كابل الكهرباء).

سلامة مكان العمل

- ◀ حافظ على نطاق عملك نظيفا ومضاء بشكل جيد. الفوضى أو أماكن العمل غير المضاءة يمكن أن تؤدي لوقوع حوادث.
- ◀ لا تعمل بالأداة الكهربائية في محيط معرض لخطر الانفجار يتواجد به سوائل أو غازات أو أنواع غبار قابلة للاشتعال. الأدوات الكهربائية تولد شررا يمكن أن يؤدي لإشعال الغبار والأبخرة.
- ◀ احرص على إبعاد الأطفال والأشخاص الآخرين أثناء استخدام الأداة الكهربائية. في حالة انصراف انتباهك قد تفقد السيطرة على الجهاز.

السلامة الكهربائية

- ◀ يجب أن يكون قابس توصيل الأداة الكهربائية متلائما مع المقبس. لا يجوز تعديل القابس بأي حال من الأحوال. لا تستخدم قوايس مهايأة مع أدوات كهربائية ذات وصلة أرضي محمية. القوايس غير المعدلة والمقابس الملائمة تقلل من خطر حدوث صدمة كهربائية.
- ◀ تجنب حدوث تلامس للجسم مع أسطح مؤرضة مثل الأسطح الخاصة بالمواسير وأجهزة التدفئة والمواقد والثلاجات. بنشأ خطر متزايد من حدوث صدمة كهربائية عندما يكون جسمك متصلا بالأرض.
- ◀ أبعد الأدوات الكهربائية عن الأمطار أو البيلل. تسرب الماء إلى داخل الأداة الكهربائية يزيد من خطر حدوث صدمة كهربائية.
- ◀ لا تستخدم كابل التوصيل لحمل الأداة الكهربائية أو تعليقها أو لسحب القابس من المقبس. احتفظ بكابل التوصيل بعيدا عن السخونة والزيت والمواف الحادة والأجزاء المتحركة. كبلات التوصيل التالفة أو المتشابكة تزيد من خطر حدوث صعق كهربائي.
- ◀ عندما تعمل بأداة كهربائية في مكان مكشوف، فلا تستخدم سوى كبلات الإطالة المناسبة للعمل في النطاق الخارجي. استخدام كابل إطالة مناسب للعمل في النطاق الخارجي يقلل من خطر حدوث صعق كهربائي.
- ◀ إذا تعذر تجنب تشغيل الأداة الكهربائية في محيط رطب، فاستخدم مفتاح حماية من تسرب التيار. استخدام مفتاح الحماية من تسرب التيار يقلل خطر حدوث صدمة كهربائية.

سلامة الأشخاص

- ◀ كن يقظا وانتبه لما تفعل وتعامل مع الأداة الكهربائية بتعقل عند العمل بها. لا تستخدم الأداة الكهربائية عندما تكون متعبا أو تحت تأثير المخدرات أو الكحوليات أو العقاقير. فقد يتسبب عدم الانتباه للحظة واحدة أثناء الاستخدام في حدوث إصابات بالغة.



- ◀ ارتد تجهيزات وقاية شخصية وارتد دائما نظارة واقية. ارتداء تجهيزات وقاية شخصية، مثل قناع الوقاية من الغبار وأحذية الأمان المضادة للانزلاق وخوذة الوقاية أو واقي السمع، تبعا لنوع واستخدام الأداة الكهربائية، يقلل من خطر الإصابات.
- ◀ تجنب التشغيل بشكل غير مقصود. تأكد أن الأداة الكهربائية مطفأة قبل توصيلها بالكهرباء و/أو بالبطارية وقبل رفعها أو حملها. إذا كان إصبعك على المفتاح عند حمل الأداة الكهربائية أو كان الجهاز في وضع التشغيل عند التوصيل بالكهرباء، فقد يؤدي ذلك لوقوع حوادث.
- ◀ أبعد أدوات الضبط أو مفاتيح ربط البراغي قبل تشغيل الأداة الكهربائية. الأداة أو المفتاح المتواجد في جزء دوار من الجهاز يمكن أن يؤدي لحدوث إصابات.
- ◀ تجنب اتخاذ وضع غير طبيعي للجسم. احرص على أن تكون واقفا بأمان وحافظ على توازنك في جميع الأوقات. من خلال ذلك تستطيع السيطرة على الأداة الكهربائية بشكل أفضل في المواقف المفاجئة.
- ◀ ارتد ملابس مناسبة. لا ترتد ملابس فضفاضة أو حلي. احرص على أن يكون الشعر والملابس والقفازات بعيدة عن الأجزاء المتحركة. الملابس الفضفاضة أو الحلي أو الشعر الطويل يمكن أن تشبك في الأجزاء المتحركة.
- ◀ إذا أمكن تركيب تجهيزات شطف وتجميع الغبار، فتأكد أنها موصلة ومستخدمة بشكل سليم. استخدام تجهيز شطف الغبار يمكن أن يقلل الأخطار الناتجة عن الغبار.
- ◀ لا تعتقد بأنك في مأمن عن الخطر ولا تتجاهل تشريعات السلامة المعنية للأدوات الكهربائية، حتى وإن كنت على دراية بالأداة الكهربائية بعد تكرار استخدامها. التعامل مع الجهاز بدون حذر قد يؤدي إلى وقوع إصابات بالغة في جزء من الثانية.

استخدام الأداة الكهربائية والتعامل معها

- ◀ لا تفرط في التحميل على الجهاز. استخدم الأداة الكهربائية المناسبة للعمل الذي تقوم به. استخدام الأداة الكهربائية المناسبة يتيح لك العمل بشكل أفضل وأكثر أمانا في نطاق العمل المقرر.
- ◀ لا تستخدم أداة كهربائية ذات مفتاح تالف. الأداة الكهربائية التي لم يعد يمكن تشغيلها أو إطفائها تمثل خطورة ويجب إصلاحها.
- ◀ استبد القابس من المقبس و/أو اخلع البطارية القابلة للخلع من الجهاز قبل إجراء عمليات الضبط، أو استبدال أجزاء الملحقات أو عند ترك الجهاز. هذا الإجراء الوقائي يمنع بدء تشغيل الأداة الكهربائية دون قصد.
- ◀ احتفظ بالأدوات الكهربائية غير المستخدمة بعيدا عن متناول الأطفال. لا تسمح باستخدام الجهاز من قبل أشخاص ليسوا على دراية به أو لم يقرءوا هذه التعليمات. الأدوات الكهربائية خطيرة في حالة استخدامها من قبل أشخاص ليست لديهم الخبرة الواجبة.
- ◀ اعتني جيدا بالأدوات الكهربائية والملحقات. افحص الأجزاء المتحركة من حيث أداؤها لوظيفتها بدون مشاكل وعدم انحصارها وافحصها من حيث وجود أجزاء مكسورة أو متعرضة للضرر يمكن أن تؤثر سلبا على وظيفة الأداة الكهربائية. اعمل على إصلاح الأجزاء التالفة قبل استخدام الجهاز. الكثير من الحوادث مصدرها الأدوات الكهربائية التي تم صيانتها بشكل رديء.
- ◀ حافظ على أدوات القطع حادة ونظيفة. تتميز أدوات القطع ذات حواف القطع المادة المعتنى بها بدقة بأنها أقل عرضة للتعثُر وأسهل في التعامل.
- ◀ استخدم الأداة الكهربائية والملحقات وأدوات العمل وخلافه طبقا لهذه التعليمات. احرص في هذه الأثناء على مراعاة اشتراطات العمل والمهمة المراد تنفيذها. استخدام الأدوات الكهربائية في تطبيقات غير تلك المقررة لها يمكن أن يؤدي لمواقف خطيرة.
- ◀ حافظ على المقابض ومواضع المسك في حالة جافة ونظيفة وخالية من الزيت والشحم. المقابض ومواضع المسك الانزلاقية تحول دون استعمال الأداة الكهربائية والتحكم بها بشكل آمن في المواقف غير المتوقعة.

الخدمة

- ◀ اعمل على إصلاح أدواتك الكهربائية على أيدي فنيين معتمدين فقط والاعتصار على استخدام قطع الغيار الأصلية. وبذلك تتأكد أن سلامة الأداة الكهربائية تظل قائمة.

2.2 إرشادات السلامة الخاصة بالمطارق

إرشادات السلامة لجميع الأعمال

- ◀ استخدم واقي السمع. لذا يرجى مراعاة أن الضجيج الصاخب يمكن أن يُفقد القدرة على السمع.
- ◀ استخدم المقابض الإضافية الموردة مع الجهاز. فقدان السيطرة يمكن أن يؤدي لوقوع إصابات.



- أمسك الجهاز من مواضع المسك المعزولة عند إجراء أعمال يحتمل فيها أن تتلامس أداة الشغل مع أسلاك كهربائية مخفية أو مع سلك الكهرباء للجهاز ذاته. حيث أن ملامسة سلك يسري فيه التيار الكهربائي يمكن أن ينقل الجهد الكهربائي للأجزاء المعدنية بالجهاز ويؤدي لحدوث صدمة كهربائية.

3.2 إرشادات إضافية للسلامة

سلامة الأشخاص

- اقتصر على استخدام المنتج وهو في حالة سليمة من الناحية الفنية.
- لا تقم أبداً بتدخلات أو تغييرات على الجهاز.
- يجب على المستخدم والأشخاص المتواجدين بالقرب منه ارتداء نظارة واقية ملائمة وخوذة حماية وواق للسمع وقفاز واق وحذاء واق أثناء استخدام الجهاز.
- استعمل قفازا واقيا عند تغيير الأدوات، نظرا لأن الأدوات تسخن من خلال الاستخدام.
- أثناء أعمال الثقب قم بتأمين النطاق الواقع على الجهة المقابلة للعمل. الشظايا المتناثرة يمكن أن تتطاير وأو تسقط وتصيب الآخرين.
- تأكد أن المقبض الجانبي مركب ومثبت بشكل سليم. أمسك الجهاز دائما بيدك من المقابض المعنية. حافظ على المقابض جافة ونظيفة وخالية من الزيت والشحم.
- خذ قسطا من الراحة أثناء العمل وقم بتمارين استرخاء لسريان الدم في الأصابع بشكل أفضل. عند القيام بأعمال لفترات طويلة فقد يحدث اضطرابات في الأوعية الدموية أو الجهاز العصبي بسبب كثرة الاهتزازات على الأصابع، الأيدي أو معصم اليد.
- الجهاز غير مخصص للاستخدام من قبل الأشخاص ذوي البنية الضعيفة دون تدريبهم.
- احفظ الجهاز بعيدا عن متناول الأطفال.
- احرص قبل بدء العمل على معرفة فئة خطر الغبار الناشئ عند إجراء العمل. استخدم شفاط غبار أعمال الإنشاءات ذي فئة حماية مصرح بها رسميا ومطابق للتعليمات المحلية الخاصة بالحماية من الغبار.
- استخدم شفاط الغبار ومزيل الغبار المحمول المناسب إن أمكن. الغبار الناتج عن خامات مثل الطلاء المحتوي على الرصاص وبعض أنواع الأخشاب والخرسانة/الجران والصخور المحتوية على الكوارتز والمعادن الصخرية والمعادن هو غبار ضار بالصحة.
- احرص على وجود توبة جيدة لمكان العمل وارتد عند اللزوم قناع تنفس مخصص لنوعية الغبار المتبعث. ملامسته أو استنشاقه قد يسبب أعراض حساسية و/أو أمراض الجهاز التنفسي للمستخدم أو للأشخاص المتواجدين على مقربة منه. هناك أنواع معينة مسرطنة من الغبار مثل غبار خشب البلوط أو غبار خشب الزان، ولا سيما إذا ارتبطت هذه الأنواع بمواد إضافية لمعالجة الأخشاب (مثل الكروم ومواد حماية الأخشاب). لا يجوز التعامل مع المواد المحتوية على الأسبستوس إلا من قبل فنيين متخصصين.
- احرص على أن تأخذ تصريح من إدارة المنشأة بإجراء الأعمال. إجراء الأعمال بالمباني والمنشآت الأخرى يمكن أن يؤثر سلبا على ثباتها، وبصفة خاصة عند فصل قضبان حديد التسليح أو الكمرات.

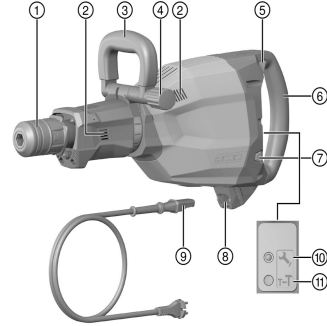
السلامة الكهربائية

- قبل بدء الأعمال افحص نطاق العمل من حيث وجود توصيلات كهرباء مغطاة أو مواسير للغاز والماء. الأجزاء المعدنية الخارجية بالجهاز يمكن أن تتسبب في صدمة كهربائية، إذا قمت دون قصد بإتلاف إحدى توصيلات التيار.
- افحص أسلاك توصيل الجهاز بشكل منتظم وعند تلفها اعمل على تغييرها بمعرفة فني معتمد. في حالة تعرض سلك توصيل الأداة الكهربائية للتلف يجب استبداله بسلك التوصيل المخصص والمسموح به لهذا الغرض والذي يجب الحصول عليه من خلال خدمة العملاء. افحص توصيلات الإطالة بشكل منتظم واستبدلها عندما تتلف. في حالة تلف كابل الكهرباء أو كابل الإطالة أثناء العمل، فلا يجوز لمس الكابل. اسحب القابس الكهربائي من المقبس. أسلاك التوصيل وتوصيلات الإطالة التالفة تمثل خطرا من خلال حدوث صدمة كهربائية.
- اعمل على فحص الأجهزة المتسخة على فترات زمنية منتظمة لدى خدمة Hilti في حالة التعامل المتكرر مع مواد موصلة للكهرباء. حيث يمكن أن يؤدي الغبار الملتصق بسطح الجهاز ولاسيما الغبار الناتج من مواد موصلة للكهرباء أو الرطوبة إلى التعرض لصعقة كهربائية في بعض الظروف غير الملائمة.
- في حالة انقطاع التيار أطفئ الجهاز واسحب القابس الكهربائي. ومن شأن هذا أن يمنع التشغيل غير المقصود للجهاز عند عودة الجهد الكهربائي.



1.3 نظرة عامة على المنتج 1

- ① طرف تركيب الأدوات
- ② فتحات التهوية
- ③ المقبض الجانبي
- ④ الرأس الكروية
- ⑤ مفتاح التشغيل/الإيقاف
- ⑥ المقبض
- ⑦ مفتاح اختيار القدرة
- ⑧ وصلة بالجهاز الكهربائي
- ⑨ وكابله مع وصلة مقبسية مشفرة وقابلة للخلع
- ⑩ مبدن الخدمة
- ⑪ مبدن اختيار القدرة



2.3 الاستخدام المطابق للتعليمات

المنتج الموضح عبارة عن إزميل دقاق مُشغل بالكهرباء للقيام بالأعمال الصعبة التي يتم فيها استخدام الإزميل. الجهاز مخصص لأعمال التحطيم والتكسير في الخرسانة والجدران والأحجار والأسفلت. يجب ألا يتم التشغيل إلا بالتردد والجهد الكهربائي المذكورين على لوحة الصنع.

3.3 الاستخدام الخاطئ المحتمل

هذا الجهاز غير مناسب للتعامل مع المواد الضارة بالصحة. هذا الجهاز غير مناسب للأعمال التي تتم في البيئة الرطبة.

4.3 Active Vibration Reduction (AVR)

الإزميل الدقاق مجهز بنظام Active Vibration Reduction (AVR) (مخمد الاهتزاز الفعال) والذي يقلل من الاهتزازات بشكل فائق.

5.3 مبدن اختيار القدرة

الإزميل الدقاق مجهز بمبدن اختيار القدرة بإشارة ضوئية. يمكنك من خلال الضغط على مفتاح اختيار القدرة خفض قدرة الإزميل إلى حوالي 70%. وعندما تكون القدرة منخفضة يضيء مبدن اختيار القدرة.

6.3 حالة مبدن الخدمة

الإزميل الدقاق مجهز بمبدن خدمة به إشارة ضوئية.



الحالة	الاستعمال
مبين الخدمة يضيء باللون الأحمر.	هذا يعني أنه حان موعد إجراء الخدمة. وجود أضرار بالجهاز.
مبين الخدمة يومض باللون الأحمر.	الحماية من السخونة المفرطة. الجهد الكهربائي بمصدر الإمداد بالجهد الكهربائي مرتفع للغاية.

أحضر المنتج إلى مركز خدمة Hilti في الوقت المناسب. وبذلك يبقى الجهاز دائما جاهز للتشغيل.

7.3 مجموعة التجهيزات الموردة

الإزميل الدقاق، المقبض الجانبي، دليل الاستعمال.
تجد المزيد من منتجات النظام المسموع بها للمنتج الخاص بك لدى متجر **Hilti Store** أو على موقع الإنترنت: www.hilti.group

4 المواصفات الفنية

1.4 الإزميل الدقاق

يرجى التعرف على الجهد الاسمي والتيار الاسمي والتردد و/أو الاستهلاك الاسمي من لوحة صنع الجهاز الخاصة بالبلد المعني.

في حالة التشغيل من مولد أو محمول، فإنه يجب ألا تقل قدرة الخرج الخاصة به عن ضعف قدرة الدخل الاسمية الواردة على لوحة صنع الجهاز. جهد تشغيل المحمول أو المولد يجب أن يكون دائما في نطاق +5% و 15- % من الجهد الكهربائي الاسمي للجهاز.

TE 1000-AVR	
02	جيل المنتج
12.5 كجم	الوزن طبقا لبروتوكول EPTA 01
26 جول	طاقة الطرق الفردي طبقا لبروتوكول EPTA 05

2.4 معلومات الضوضاء وقيم الاهتزاز

تم قياس ضغط الصوت وقيم الاهتزاز الواردة في هذا الدليل طبقا لأحد معايير القياس الممددة ويمكن الاستعانة بها في إجراء مقارنة بين الأدوات الكهربائية مع بعضها البعض. وهي مناسبة أيضا لتقدير حجم المخاطر بصورة أولية.

المواصفات الواردة تتعلق بالاستخدامات الأساسية للأداة الكهربائية. أما إذا تم استخدام الأداة الكهربائية في تطبيقات أخرى مع أدوات شغل مخالفة للمواصفات أو دون صيانة كافية، ففي هذه الحالة قد تختلف المواصفات. وقد يزيد هذا من نسبة المخاطر طوال مدة العمل بصورة واضحة. وللوصول على تقدير دقيق لمجم المخاطر ينبغي أيضا مراعاة الأوقات التي يتم فيها إيقاف الجهاز أو التي يتم فيها تشغيل الجهاز ولكن دون استخدام حقيقي. وقد يقلل هذا من نسبة المخاطر طوال مدة العمل بصورة واضحة. احرص على اتخاذ إجراءات إضافية للسلامة من شأنها حماية المستخدم من تأثير الضجيج و/أو الاهتزازات مثل: صيانة الأداة الكهربائية وأدوات الشغل والمفاظ على الأيدي في حالة دافئة وتنظيم مراحل العمل.

يمكن العثور على معلومات تفصيلية حول الإصدارات المُستخدمة هنا وفقًا للمواصفات في الصورة **EN 62841**- الخاصة ببيان المطابقة 179.

قيم الضجيج المنبعث

96 ديسيبل (A)	مستوى شدة الصوت (L_{WA})
3 ديسيبل (A)	نسبة التفاوت لمستوى شدة الصوت (K_{WA})
88 ديسيبل (A)	مستوى ضغط الصوت المنبعث (L_{pA})
3 ديسيبل (A)	نسبة التفاوت لمستوى ضغط الصوت (K_{pA})



النقر بالإزميل (a _h , Cheq)	5.9 م/ثانية ²
نسبة التفاوت (K)	1.5 م/ثانية ²

5 الاستعمال

1.5 التحضير للعمل

⚠️ احترس:

خطر الإصابة! تشغيل الجهاز بشكل غير مقصود.

◀ اسحب القابس الكهربائي، قبل إجراء عمليات ضبط الجهاز أو تغيير أجزاء الملحقات.

تراجع إرشادات الأمان والإرشادات التحذيرية الواردة في هذا المستند وعلى الجهاز.

1.1.5 تركيب وضبط المقبض الجانبي 2

⚠️ احترس:

خطر الإصابة! فقدان السيطرة على الإزميل الدقاق.

◀ تأكد أن المقبض الجانبي مركب ومثبت بشكل سليم.

◀ قم بتركيب أو ضبط وضعية المقبض الجانبي.

◀ يُراعى أيضا الشرح المرفق بالمقبض الجانبي.



2.1.5 كابيل كهرباء بقابس

⚠️ احترس:

خطر الإصابة! من جراء التيار الكهربائي المتسرب في حالة وجود أطراف توصيل متسخة.

◀ لا تقم بتوصيل الوصلة المقبسية الكهربائية القابلة لل فك بالجهاز الكهربائي إلا وهي في حالة نظيفة وجافة ولا يسري بها جهد كهربائي.

◀ توصيل/ فك كابيل كهرباء بقابس.

1.2.1.5 توصيل كابيل الكهرباء القابل للإدخال

⚠️ احترس:

خطر الإصابة! من جراء التيار الكهربائي المتسرب في حالة وجود أطراف توصيل متسخة.

◀ لا تقم بتوصيل الوصلة المقبسية الكهربائية القابلة لل فك بالجهاز الكهربائي إلا وهي في حالة نظيفة وجافة ولا يسري بها جهد كهربائي.

1. أدخل الوصلة المقبسية الكهربائية المكودة القابلة لل فك في الجهاز حتى النهاية، إلى أن يثبت القفل بصوت مسموع.

◀ نوصي بترك الكابيل متصلًا بالجهاز دائمًا لحماية الوصلة البينية للأداة/للكابل من الغبار والرطوبة. يجب إزالة الكابل في حالة تعرضه للكسر/للتلف فقط.



2. أدخل القابس الكهربائي في المقبس.

2.2.1.5 فصل قابس الكهرباء القابل للإدخال عن الجهاز الكهربائي

1. اسحب القابس الكهربائي من المقبس.
2. اضغط على زر التثبيت واخلع الوصلة المقبسية الكهربائية المكودة القابلة لل فك.
3. اسحب الكابل الكهربائي من الجهاز.

3.1.5 تركيب أداة الشغل 3

1. قم بتزليق طرف إدخال أداة الشغل قليلاً.



2. قم بتركيب أداة التقليل في ظرف تركيب الأدوات وأدره مع الضغط الخفيف عليه حتى يثبت في موضعه بصوت مسموع.
 ◀ المنتج جاهز للتشغيل.

i اقتصر على استخدام الشمع الأصلي من Hilti. قد يؤدي استخدام شمع غير مناسب إلى تعرض المنتج للضرر.

4.1.5 فك أداة الشغل

تحذير

خطر الإصابة من الممكن أن تسخن الأداة نتيجة الاستخدام وقد تظهر بها حواف حادة.
 ◀ ارتد قفازا واقيا أثناء تغيير الأدوات.

خطر

خطر الحريق خطر التلامس بين أداة الشغل الساخنة والمواد سهلة الاشتعال.
 ◀ لا تضع الأداة وهي ساخنة على مواد سهلة الاشتعال.

1. قم بإرجاع ظرف تركيب الأدوات.
2. قم بإخراج الأداة.

2.5 العمل

احترس:

خطر حدوث أضرار من خلال الاستعمال الخاطئ!

◀ لا تقم بالضغط على مفاتيح اتجاه الدوران و/أو اختيار الوظيفة أثناء التشغيل.

تراجعى إرشادات الأمان والإرشادات التحذيرية الواردة في هذا المستند وعلى الجهاز.

1.2.5 النقر بالإنزيميل

i يمكن ضبط الإنزيميل على 6 أوضاع مختلفة (في خطوات مقدار كل منها 60 درجة). وبذلك يمكن دائما العمل بالإنزيميل المفلطح وإنزيميل التشكيل في وضع العمل المثالي المناسب.
 الضغط الشئيل للغاية يؤدي إلى حدوث قفزات للإنزيميل. الضغط الزائد للغاية يؤدي إلى تقليل قدرة الإنزيميل.

1. أدخل القابس الكهربائي في المقبس.
2. ضع الإنزيميل على مسافة حوالي 80-100 مم (3%-4 بوصة) من الحافة.
3. ابدأ عملية النقر بالإنزيميل بزاوية من 70° إلى 80° بالنسبة لسطح الخرسانة وقم بتوجيه سن الإنزيميل جهة الحافة. ثم حرك الزاوية في اتجاه 90° وقم بتكسيير الحافة.
 ◀ في حالة قضبان حديد التسليح قم دائما بتوجيه الإنزيميل جهة حافة الحافة وليس جهة قضبان حديد التسليح.
4. أدر الإنزيميل بصورة منتظمة نظرا لأن التآكل المتساوي يساعد في عملية الشد الذاتي.

2.2.5 ضبط قدرة الإنزيميل

◀ اضغط على مفتاح اختيار القدرة.
 ◀ يمكنك من خلال الضغط على مفتاح اختبار القدرة خفض قدرة الإنزيميل إلى حوالي 70%.

i لا يمكن ضبط قدرة الإنزيميل إلا أثناء تشغيل الجهاز. ومن خلال إعادة الضغط على مفتاح اختبار القدرة تتاح القدرة الكاملة للإنزيميل مرة أخرى. في حالة إيقاف الجهاز ثم تشغيله مجددا تتاح كذلك القدرة الكاملة للإنزيميل مرة أخرى.



تحذير

خطر بسبب حدوث صدمة كهربائية إجراء أعمال العناية والصيانة بينما القابس الكهربائي مركب قد يتسبب في إصابات بالغة والإصابة بحروق.

احرص على سحب القابس الكهربائي قبل جميع أعمال الإصلاح والعناية!

العناية

- قم بإزالة الاتساخ الملتصق بحرص.
- قم بتنظيف فتحات التهوية بحرص باستخدام فرشاة جافة.
- نظف جسم الجهاز باستخدام قطعة قماش مبللة بعض الشيء. لا تستخدم مواد عناية تحتوي على السيليكون لما قد تتسبب فيه من الإضرار بالأجزاء البلاستيكية.

الصيانة
تحذير

خطر الصعق الكهربائي! قد تؤدي أعمال الصيانة التي تتم على الأجزاء الكهربائية بشكل غير سليم إلى حدوث إصابات خطيرة وإصابة بحروق.

لا يجوز إجراء إصلاحات على الأجزاء الكهربائية إلا من خلال متخصصين في الكهرباء.

- افحص جميع الأجزاء المرئية من حيث وجود أضرار وافحص عناصر الاستعمال من حيث كفاءتها الوظيفية.
- في حالة وجود أضرار و/أو اختلالات وظيفية لا تقم بتشغيل المنتج. احرص على الفور على إصلاحه لدى مركز خدمة Hilti.
- بعد أعمال العناية والإصلاح قم بتركيب جميع تجهيزات الحماية وافحصها من حيث الأداء الوظيفي.

للتشغيل الآمن اقتصر على استخدام قطع الغيار الأصلية وخامات الشغل. تجد قطع الغيار وخامات الشغل والملحقات المصرح بها من قبلنا للمنتج الخاص بك في متجر **Hilti Store** أو على موقع الإنترنت: www.hilti.group

1.6 تنظيف غطاء الحماية من الغبار

- قم بتنظيف غطاء الحماية من الغبار الموجود على ظرف تركيب الأدوات بصفة دورية باستخدام فوطة نظيفة جافة.
- قم بتنظيف شفة الإحكام عن طريق مسحها بحرص و قم بتشحيما مرة أخرى بقليل من شحم Hilti.
- يلزم تغيير غطاء الحماية من الغبار في حالة تلف شفة الإحكام.

7 النقل والتخزين

- لا تنقل الجهاز الكهربائي بينما الأداة مدخلة فيه.
- عند تخزين الجهاز الكهربائي احرص دائما على سحب القابس الكهربائي.
- احرص على جفاف الجهاز والاحتفاظ به بعيدا عن متناول الأطفال والأشخاص غير المصرح لهم عند تخزينه.
- بعد النقل لمسافة طويلة أو التخزين افحص الجهاز الكهربائي من حيث وجود أضرار.

8 المساعدة في حالات الاختلالات

عند حدوث اختلالات غير مذكورة في الجدول أو يتعذر عليك معالجتها بنفسك، فيرجى التوجه إلى مركز خدمة Hilti.

1.8 تقصي الأخطاء

الخلل	السبب المحتمل	الحل
الجهاز لا يبدأ في العمل.	جاري تهيئة الوحدة الإلكترونية (لمدة تصل إلى 4 ثوان تقريبا بدءاً من إدخال القابس). تم تفعيل مانع بدء التشغيل الإلكتروني بعد فترة انقطاع التيار الكهربائي.	• قم بإيقاف الجهاز ثم أعد تشغيله.



الخلل	السبب المحتمل	الحل
الجهاز لا يبدأ في العمل.	انقطاع الإمداد بالتيار الكهربائي.	◀ قم بتوصيل جهاز كهربائي آخر وافحص التشغيل.
	المولد الكهربائي في وضع السبات.	◀ قم بتشغيل جهاز كهربائي آخر (مثل مصباح إضاءة موقع البناء) من المولد الكهربائي. قم بعد ذلك بإيقاف الجهاز ثم أعد تشغيله.
	لم يتم إدخال كابل الكهرباء المزود بقابس بطريقة صحيحة.	◀ قم بتوصيل كابل الكهرباء المزود بقابس بالجهاز الكهربائي بطريقة صحيحة.
مبين الخدمة يضيء باللون الأحمر.	ضرر بالجهاز أو حان موعد إجراء الخدمة.	◀ اقتصر على إصلاح المنتج لدى مركز خدمة Hilti.
مبين الخدمة يومض باللون الأحمر.	الجهد الكهربائي بمصدر الإمداد بالجهد الكهربائي مرتفع للغاية.	◀ قم بتغيير المقبس. افحص الشبكة الكهربائية.
	الحماية من السخونة المفرطة.	◀ اترك الجهاز يبرد. قم بتنظيف فتحات التهوية. كما يتاح التشغيل في الوضع المحايد أيضاً.
لا يتولد طرق.	الجهاز بارد للغاية.	◀ ضع الإزميل الدقاق على الأرض واتركه يدور على الفارغ. عند اللزوم كرر هذه العملية حتى يعمل الطارق.
الجهاز لا يعمل بكامل قدرته.	وظيفة خفض القدرة فعالة.	◀ استخدم مفتاح اختيار القدرة (يراعى مبين اختيار القدرة). أطفئ الجهاز ثم قم بتشغيله مرة أخرى.
	كابل الإطالة طويل للغاية و/أو ذو مقطع عرضي ضئيل للغاية.	◀ استخدم كابل إطالة ذا طول مسموح به و/أو ذا مقطع عرضي كاف.
	الجهد الكهربائي بمصدر الإمداد بالجهد الكهربائي منخفض للغاية.	◀ قم بتوصيل الجهاز بمصدر آخر للإمداد بالتيار الكهربائي.
الإزميل لا يتحرر من وضع إحكام التثبيت.	لم تقم بإرجاع ظرف تركيب الأدوات حتى النهاية تماما.	◀ قم بإرجاع وسيلة إحكام قفل الأداة حتى النهاية وأخرج الأداة.
الجهاز يتوقف أثناء التشغيل.	الحماية من السخونة المفرطة.	◀ اترك الجهاز يبرد. قم بتنظيف فتحات التهوية. كما يتاح التشغيل في الوضع المحايد أيضاً.

9 التكوين

أجهزة Hilti مصنوعة بنسبة كبيرة من مواد قابلة لإعادة التدوير. يشترط لإعادة التدوير أن يتم فصل الغامات بشكل سليم فينبا. في العديد من الدول تقوم شركة Hilti باستغلال الأجهزة القديمة لإعادة تدويرها. وللمعلومات حول ذلك اتصل بخدمة عملاء Hilti أو الموزع القريب منك.

◀ لا تعلق الأدوات الكهربائية، الأجهزة الإلكترونية والبطاريات ضمن القمامة المنزلية!

10 RoHS (Richtlinie zur Beschränkung der Verwendung gefährlicher Stoffe)

تجد جدول المواد الخطيرة تحت الرابط التالي: qr.hilti.com/r9672135.
تجد رابطاً بخصوص جدول RoHS في نهاية هذا المستند ككود QR.

11 ضمان الجبة الصانعة

◀ في حالة وجود أية استفسارات بخصوص شروط الضمان، يرجى التوجه إلى وكيل Hilti المحلي التابع لك.



Orģinālā lietošanas instrukcija

1 Informācija par lietošanas instrukciju

1.1 Par šo lietošanas instrukciju

- **Brīdinājums!** Pirms sākt izstrādājuma lietošanu, pārliecinieties, ka ir izlasīta un saprasta izstrādājumam pievienotā lietošanas instrukcija, ieskaitot pamācības, drošības norādījumus un brīdinājumus, attēlus un specifiskācijas. Īpaši rūpīgi iepazīstieties ar pamācībām, drošības norādījumiem un brīdinājumiem, attēliem un specifiskācijām, kā arī sastāvdaļām un funkcijām. Neievērošanas gadījumā pastāv elektriskās strāvas trieciena, aizdegšanās un/vai smagu traumu risks. Rūpīgi uzglabājiēt lietošanas instrukciju, ieskaitot visas pamācības, drošības norādījumus un brīdinājumus, turpmākai izmantošanai.
- **HILTI** izstrādājumi ir paredzēti profesionāliem lietotājiem, un to darbināšanu, apkopi un tehniskā stāvokļa uzturēšanu drīkst veikt tikai kvalificēts, atbilstīgi apmācīts personāls. Personālam ir jābūt labi informētam par iespējamajiem riskiem, kas var rasties darba laikā. Izstrādājums un tā papildaprīkojums var radīt bīstamas situācijas, ja to uztic neprofesionālam personālam vai nelieto atbilstīgi nosacījumiem.
- Pievienotā lietošanas instrukcija atbilst aktuālajam tehnikas attīstības līmenim tās sagatavošanas brīdī.. Aktuālā versija vienmēr ir pieejama tiešsaistē, Hilti izstrādājuma lapā. Lai tai piekļūtu izmantojiet šajā lietošanas instrukcijā iekļauto saiti vai kvadrāt kodu, kas apzīmēts ar simbolu
- Vienmēr pievienojiet lietošanas instrukciju izstrādājumam, ja tas tiek nodots citai personai.

1.2 Apzīmējumu skaidrojums

1.2.1 Brīdinājumi

Brīdinājumi pievērš uzmanību bīstamībai, kas pastāv, strādājot ar izstrādājumu. Tiek lietoti šādi signālvārdi:

BĪSTAMI!

BĪSTAMI! !

- ▶ Pievērš uzmanību draudošām briesmām, kas var izraisīt smagus miesas bojājumus vai nāvi.

BRĪDINĀJUMS!

BRĪDINĀJUMS! !

- ▶ Pievērš uzmanību iespējamam apdraudējumam, kas var izraisīt smagas traumas vai pat nāvi.

IEVĒROT PIESARDZĪBU!

UZMANĪBU! !

- ▶ Norāda uz iespējami bīstamām situācijām, kas var izraisīt traumas vai materiālos zaudējumus.

1.2.2 Simboli lietošanas instrukcijā

Šajā lietošanas instrukcijā tiek izmantoti šādi simboli:

	Ievērojiet lietošanas instrukciju
	Norādījumi par lietošanu un cita noderīga informācija
	Rīcība ar otrreiz pārstrādājamiem materiāliem
	Neizmetiet elektroiekārtas un akumulatorus sadzīves atkritumos.

1.2.3 Attēlos lietotie simboli

Attēlos tiek lietoti šādi simboli:

	Šie skaitļi norāda uz attiecīgajiem attēliem, kas atrodami šīs lietošanas instrukcijas sākumā.
	Numerācija attēlos norāda uz svarīgām darbībām vai detaļām, kas ir svarīgas noteiktām darbībām. Tekstā šīs darbības vai detaļas ir izceltas, apzīmējot ar atbilstošiem numuriem, piemēram, (3) .
	Pozīciju numuri tiek lietoti attēlā Pārskats un norāda uz leģendas numuriem sadaļā Izstrādājuma pārskats .





Šī simbola uzdevums ir pievērst īpašu uzmanību izstrādājuma lietošanas laikā.

1.3 Simboli uz izstrādājuma

1.3.1 Simboli uz izstrādājuma

Tiek lietoti šādi simboli uz izstrādājuma:



Aizsardzības klase II (divkārša izolācija)

2 Drošība

2.1 Vispārīgi drošības norādījumi par darbu ar elektroiekārtām

⚠ BRĪDINĀJUMS! Iepazīstieties ar visiem drošības norādījumiem, instrukcijām, attēliem un tehniskajiem parametriem, kas attiecas uz šo elektroiekārtu. Turpmāk izklāstīto instrukciju neievērošana var izraisīt elektrošoku, ugunsgrēku un/vai nopietnas traumas.

Saglabājiet visus drošības norādījumus un instrukcijas turpmākai lietošanai.

Drošības norādījumos lietotais apzīmējums "elektroiekārta" attiecas uz iekārtām ar tīkla barošanu (ar barošanas kabeli) vai iekārtām ar barošanu no akumulatora (bez kabeļa).

Drošība darba vietā

- ▶ **Uzturiet darba vietā tīrību un kārtību un nodrošiniet labu apgaismojumu.** Nekārtīgā darba vietā vai sliktā apgaismojumā var viegli notikt nelaimes gadījums.
- ▶ **Nestrādājiet ar elektroiekārtu sprādzienbīstamā vidē, kur atrodas uzliesmojoši šķidrumi, gāzes vai putekļi.** Darbības laikā elektroiekārtas mēdz dzirksteļot, un tas var izraisīt viegli uzliesmojošu putekļu vai tvaiku aizdegšanos.
- ▶ **Lietojot elektroiekārtu, neļaujiet nepiederošām personām un jo īpaši bērniem tuvoties darba vietai.** Citu personu klātbūtne var novērst uzmanību, un tā rezultātā jūs varat zaudēt kontroli pār iekārtu.

Elektrodrošība

- ▶ **Elektroiekārtas kontaktdakšai jāatbilst elektrotīkla kontaktligzdai. Kontaktdakšas konstrukciju nedrīkst nekādā veidā mainīt. Kopā ar elektroiekārtām, kurām ir aizsargzemējums, nedrīkst lietot adapteru spraudņus.** Neizmainītas konstrukcijas kontaktdakša, kas atbilst kontaktligzdai, ļauj samazināt elektrošoka risku.
- ▶ **Darba laikā nepieskarieties saņemtiem priekšmetiem, piemēram, caurulēm, radiatoriem, plītnim vai ledusskapjiem.** Pieskaroties saņemtiem virsmām, pieaug risks saņemt elektrisko triecienu.
- ▶ **Nelietojiet elektroiekārtu lietus laikā, neturiet to mitrumā.** Mitrumam iekļūstot elektroiekārtā, pieaug risks saņemt elektrisko triecienu.
- ▶ **Nenesiet un nepakariniet elektroiekārtu aiz barošanas kabeļa un neraujiet aiz kabeļa, ja vēlaties atvienot iekārtu no elektrotīkla kontaktligzdas. Sargājiet barošanas kabeli no karstuma, eļļas, asām šķautnēm vai kustīgām detaļām.** Bojāts vai sapīņķerējis barošanas kabelis var kļūt par cēloni elektrošokam.
- ▶ **Darbinot elektroiekārtu ārpus telpām, izmantojiet tās pievienošanai vienīgi tādus pagarinātāja-kabeļus, kas ir paredzēti lietošanai brīvā dabā.** Lietojot elektrokabeļi, kas ir piemērots darbam ārpus telpām, samazinās elektrošoka risks.
- ▶ **Ja elektroiekārtas izmantošana slapjā vidē ir obligāti nepieciešama, lietojiet bojājumstrāvas aizsargslēdzi.** Bojājumstrāvas aizsargslēdža lietošana samazina elektrošoka risku.

Personiskā drošība

- ▶ **Strādājiet ar elektroiekārtu uzmanīgi, darba laikā saglabājiet paškontroli un rīkojieties saskaņā ar veselouprātību. Ar elektroiekārtu nedrīkst strādāt personas, kas ir nogurušas vai atrodas narkotiku, alkohola vai medikamentu ietekmē.** Mirklis neuzmanības, strādājot ar elektroiekārtu, var novest pie nopietnām traumām.
- ▶ **Izmantojiet individuālos aizsardzības līdzekļus un darba laikā vienmēr valkājiet aizsargbrilles.** Individuālo aizsardzības līdzekļu (putekļu aizsargmaskas, neslidošu apavu un aizsargķiveres vai ausu aizsargu) lietošana atbilstoši elektroiekārtas tipam un veicamā darba raksturam ļauj izvairīties no savainojumiem.
- ▶ **Nepieļaujiet iekārtas nekontrolētas ieslēgšanās iespēju. Pirms pievienošanas elektrotīklam, akumulatora ievietošanas, elektroiekārtas satveršanas vai pārvietošanas pārliecinieties, ka tā ir izslēgta.** Ja iekārtas pārvietošanas laikā pirksts atrodas uz slēdža vai ja ieslēgta iekārta tiek pievienota elektrotīklam, var notikt nelaimes gadījums.



- ▶ **Pirms elektroiekārtas ieslēgšanas jānoņem visi regulēšanas piederumi un uzgriežņu atslēgas.** Regulēšanas piederumi vai uzgriežņu atslēga, kas iekārtas ieslēgšanas brīdī atrodas iekārtā, var radīt traumas.
- ▶ **Izvairoties no nedabiskām pozām.** Darba laikā vienmēr saglabājiet līdzsvaru un nodrošinieties pret paslīdēšanu. Tas atvieglos elektroiekārtas vadību neparedzētās situācijās.
- ▶ **Izvēlieties darbam piemērotu apģērbu.** Darba laikā nenēsājiet brīvi plandošas drēbes un rotaslietas. **Netuviniet matus, apģērbu un aizsargcimdus iekārtas kustīgajām daļām.** Vaļīgas drēbes, rotaslietas un gari mati var iekerties iekārtas kustīgajās daļās.
- ▶ **Ja elektroiekārtas konstrukcija ļauj pievienot putekļu nosūcšanas vai savākšanas ierīci, sekojiet, lai tā būtu pievienota un tiktu darbināta pareizi.** Putekļu nosūcēja lietošana samazina putekļu kaitīgo ietekmi.
- ▶ **Nezaudējiet modrību un neatkāpieties no elektroiekārtu lietošanas drošības noteikumu ieviešanas arī tad, ja lietojat attiecīgo elektroiekārtu bieži un kārtīgi to pārzināt.** Neuzmanība vienā sekundes daļā var novest pie smagām traumām.

Elektroiekārtas lietošana un apkope

- ▶ **Nepārslodojiet elektroiekārtu.** Katram darbam izvēlieties piemērotu iekārtu. Elektroiekārta darbosies labāk un drošāk pie nominālās slodzes.
- ▶ **Nelietojiet elektroiekārtu, ja ir bojāts tās slēdzis.** Elektroiekārta, ko nevar ieslēgt un izslēgt, ir bīstama un nekavējoties jānodod remontā.
- ▶ **Pirms iestatījumu veikšanas, aprikojuma daļu nomainīšanas vai iekārtas novietošanas uzglabāšanā atvienojiet kontaktakšņu no elektrotīkla un/vai noņemiet noņemamo akumulatoru.** Šādi jūs novērsīsiet elektroiekārtas nejaušas ieslēgšanās risku.
- ▶ **Elektroiekārtu, kas netiek darbināta, uzglabājiet piemērotā vietā.** Neļaujiet lietot iekārtu personām, kas nav iepazīlušas ar tās funkcijām un izlasījušas šo lietošanas instrukciju. Ja elektroiekārtu lieto nekompetentas personas, tas var apdraudēt cilvēku veselību.
- ▶ **Rūpīgi veiciet elektroiekārtu un to piederumu apkopi.** Pārbaudiet, vai kustīgās daļas darbojas bez traucējumiem un neķeras un vai kāda no daļām nav salauzta vai bojāta un tādējādi netraucē elektroiekārtas nevainojamu darbību. **Raugieties, lai pirms iekārtas lietošanas tiktu nomainītas vai saremontētas bojātās daļas.** Daudzi nelaimes gadījumi notiek tāpēc, ka elektroiekārtām nav nodrošināta pareiza apkope.
- ▶ **Griezējinstrumentiem vienmēr jābūt uzasinātiem un tīriem.** Rūpīgi kopti griezējinstrumenti ar asām šķautnēm retāk iestrēgst un ir vieglāk vadāmi.
- ▶ **Lietojiet elektroiekārtu, piederumus, maināmos instrumentus utt. saskaņā ar šiem norādījumiem.** Jāņem vērā arī konkrētie darba apstākļi un veicamās operācijas īpatnības. Elektroiekārtu lietošana citiem mērķiem, nekā to ir paredzējusi ražotājs, ir bīstama un var izraisīt neparedzamas sekas.
- ▶ **Raugieties, lai rokturu un satveršanas virsmas būtu sausas, tīras, nenotraipītas ar eļļu un smērvielām.** Ja rokturu vai satveršanas virsmas ir slidenas, nav iespējama droša elektroiekārtas vadība un kontrole neparedzamās situācijās.

Serviss

- ▶ **Uzdodiet elektroiekārtas remontu veikt tikai kvalificētam personālam, kas izmanto vienīgi oriģinālās rezerves daļas.** Tikai tā ir iespējams saglabāt elektroiekārtas funkcionālo drošību.

2.2 Drošības noteikumi darbam ar perforatoriem

Drošības norādījumi visiem darbiem

- ▶ **Lietojiet dzirdes aizsargapriekojumu.** Trokšņa iedarbība var radīt dzirdes zudumu.
- ▶ **Lietojiet kopā ar iekārtu piegādātos papildu rokturus.** Kontroles zudums var kļūt par cēloni traumām.
- ▶ **Ja pastāv iespēja, ka instruments var skart apslēptus elektriskos vadus vai pašas iekārtas barošanas kabeli, iekārta vienmēr jātur aiz izolētajām rokturu virsmām.** Saskaroties ar spriegumam pieslēgtiem vadiem, spriegums tiek novadīts uz iekārtas metāla daļām, radot elektrošoka risku.

2.3 Papildnorādījumi par drošību

Personīgā drošība

- ▶ Lietojiet izstrādājumu tikai tad, ja tas ir nevainojamā tehniskajā stāvoklī.
- ▶ Nekādā gadījumā nemēģiniet ietekmēt iekārtas funkcijas vai to pārveidot.
- ▶ Lietotājam un tuvumā esošajām personām iekārtas lietošanas laikā jāvalkā piemērotas aizsargbrilles, aizsargķivere, aizsargcimdi un droši darba apavi.
- ▶ Instrumentu nomainīšana jāveic ar aizsargcimdiem, jo instruments lietošanas laikā sakarst.



- ▶ Pirms laušanas vai urbšanas darbiem, kas šķērso būvkonstrukciju daļas, atbilstoši jānodrošina attiecīgās būvkonstrukcijas daļas pretējā puse. Atlūzušās materiāla daļas var izkrist caur atveri un/vai nokrist un savainot cilvēkus.
- ▶ Pārļiecinieties, vai sānu rokturis ir piemontēts pareizi un kārtīgi nostiprināts. Vienmēr turiet iekārtu ar abām rokām aiz tam paredzētajiem rokturiem. Gādājiet, lai rokturi būtu sausi, tīri, nenotraipti ar eļļu un smērvielām.
- ▶ Darba pārtraukumos veiciet pirkstu vingrinājumus, kas uzlabo asinsriti. Ilgstoša darba gadījumā vibrācija var radīt traucējumus pirkstu, roku vai plaukstu locītavu asinsvadu un nervu sistēmas funkcijās.
- ▶ Iekārta nav paredzēta, lai to patstāvīgi lietotu personas ar nepietiekamām fiziskajām vai garīgajām spējām.
- ▶ Raugieties, lai iekārta nebūtu pieejama bērniem.
- ▶ Pirms darba sākšanas noskaidrojiet darba laikā rodošos putekļu bīstamības kategoriju. Lietojiet celtniecības putekļsūcēju ar oficiālas sertifikācijas ietvaros piešķirtu drošības klasifikāciju, kas atbilst vietējiem putekļu ietekmes ierobežošanas normatīviem.
- ▶ Ja iespējams, lietojiet putekļu nosūkšanas sistēmu un piemērotu mobilo putekļsūcēju. Putekļi, ko rada tādi materiāli kā, piemēram, svīnu saturoša krāsa, daži koksnes veidi, betons / mūris / kvarcu saturoši akmeņi, minerāli un metāls, var būt kaitīgi veselībai.
- ▶ Nodrošiniet darba vietā labu ventilāciju un, ja nepieciešams, valkājiet elpceļu aizsargmasku, kas aizsargā pret attiecīgā veida putekļiem. Saskare ar šiem putekļiem vai to ieelpošana var izraisīt lietotāja vai citu tuvumā esošo personu alerģiskas reakcijas un/vai elpceļu saslimšanas. Noteikti putekļu veidi, piemēram, ozola un skābarža koksnes putekļi, tiek uzskatīti par kancerogēniem – sevišķi kopā ar kokapstrādē izmantojamām vielām (hromātiem, koksnes aizsarglīdzekļiem). Azbestu saturošus materiālus drīkst apstrādāt tikai kompetenti speciālisti.
- ▶ Darbu veikšanai jāsaņem akcepts no būvdarbu vadības. Darbu veikšana ēku vai citu būvju daļās var nelabvēlīgi ietekmēt statiku, sevišķi, ja tiek skarti armatūras stieņi vai nesošie elementi.

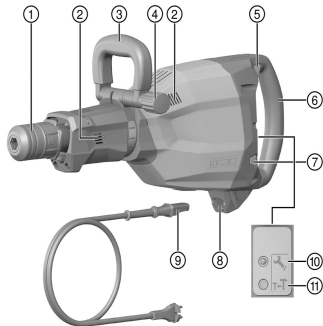
Elektrodrošība

- ▶ Pirms darba sākšanas pārbaudiet, vai darba zonā neatrodas nosegti elektrības vadi, gāzes vai ūdensapgādes caurules. Nejauši sabojājot zem sprieguma esošus vadus, iekārtas ārējās metāla daļas var izraisīt elektrošoku.
- ▶ Regulāri pārbaudiet iekārtas barošanas kabeli un nepieciešamības gadījumā nododiet to kompetentam speciālistam remonta vai nomainīšanas veikšanai. Ja ir bojāts elektroinstrumenta barošanas kabelis, tas jānomaina pret speciāli aprīkotu un sertificētu kabeli, ko piedāvā klientu apkalpošanas organizācija. Regulāri pārbaudiet pagarinātājkabeļus un bojājumu gadījumā nomainiet tos. Ja darba laikā tiek bojāts barošanas vai pagarinātāja kabelis, nepieskarieties tam. Atvienojiet iekārtu no elektrotīkla. Bojāti barošanas kabeli un pagarinātāji slēpj elektriskā trieciena risku.
- ▶ Ja bieži tiek apstrādāti elektrību vadoši materiāli, ar tiem piesārņotās iekārtas regulāri jānodod pārbaudīšanai **Hilti** servisā. Uz iekārtas ārējās virsmas esošie putekļi, kas galvenokārt ir uzkrājušies no vadītspējīgiem materiāliem, vai mitrums nelabvēlīgos apstākļos var izraisīt elektrisku triecienu.
- ▶ Ja tiek pārtraukta sprieguma padeve, instruments jāizslēdz un jāatvieno no elektrotīkla. Tas palīdzēs izvairīties no iekārtas nekontrolētas ieslēgšanās, kad tiks atjaunota sprieguma padeve.



3 Apraksts

3.1 Izstrādājuma pārskats



- ① Instrumenta patrona
- ② Ventilācijas atveres
- ③ Sānu rokturis
- ④ Fiksators
- ⑤ Ieslēgšanas un izslēgšanas slēdzis
- ⑥ Rokturis
- ⑦ Jaudas izvēles slēdzis
- ⑧ Pievienošana pie elektroiekārtas
- ⑨ Barošanas kabelis ar kodētu, noņemamu spraudsavienojumu
- ⑩ Servisa indikācija
- ⑪ Jaudas indikācija

3.2 Nosacījumiem atbilstīga lietošana

Aprakstītais izstrādājums ir atskaldāmais āmurs ar elektrisko barošanu smagiem kalšanas darbiem. Tas ir paredzēts betona, mūra, akmens un asfalta demontāžas un laušanas darbiem.

- Iekārtas darbināšanai drīkst lietot tikai uz identifikācijas datu plāksnītes norādīto barošanas spriegumu un frekvenci.

3.3 Varbūtējā nepareizā lietošana

Šis izstrādājums nav paredzēts veselībai bīstamu materiālu apstrādāšanai.

Šis izstrādājums nav paredzēts darbam slapjā vidē.

3.4 Active Vibration Reduction (AVR)

Atskaldāmais āmurs ir aprīkots ar sistēmu Active Vibration Reduction (AVR), kas ievērojami samazina vibrāciju.

3.5 Jaudas indikācija

Atskaldāmajam āmuram ir jaudas iestatījuma indikācija ar gaismas signālu.

Nospiežot jaudas regulatoru, jūs varat samazināt kalšanas jaudu līdz apm. 70 %. Ja jauda ir samazināta, deg jaudas indikācija.

3.6 Servisa indikācijas statuss

Atskaldāmajam āmuram ir servisa indikācija ar gaismas signālu.

Statuss	Nozīme
Servisa indikācija deg sarkanā krāsā.	Pienācis laiks servisa darbiem. Iekārtas bojājums.



Stass	Nozīme
Servisa indikācija mirgo sarkanā krāsā.	Termiskā aizsardzība. Elektroapgādē pārāk augsts spriegums.



Savlaicīgi nododiet izstrādājumu **Hilti** servisā. Tad tas vienmēr būs gatavs darbam.

3.7 Piegādes komplektācija

Atskaldāmais āmurs, sānu rokturis, lietošanas instrukcija.

Citus šim izstrādājumam izmantojamus sistēmas produktus meklējiet **Hilti Store** vai tīmekļvietnē: www.hilti.group

4 Tehniskie parametri

4.1 Atskaldāmais āmurs



Nominālā sprieguma, nominālās strāvas, frekvences un/vai nominālās ieejas jaudas parametri ir norādīti attiecīgajai valstij paredzētajā identifikācijas datu plāksnītē.

Ja šīs iekārtas darbināšanai izmanto ģeneratoru vai transformatoru, tā izejas jaudai jābūt vismaz divreiz lielākai par nominālo ieejas jaudu, kas norādīta uz iekārtas identifikācijas datu plāksnītes. Transformatora vai ģeneratora darba spriegumam vienmēr jābūt iekārtas nominālā sprieguma diapazonā ar pielaidi +5 % vai -15 %.

	TE 1000-AVR
Izstrādājuma paaudze	02
Svars saskaņā ar EPTA procedūru 01	12,5 kg
Atsevišķa trieciena enerģija atbilstīgi EPTA procedūrai 05	26 J

4.2 Informācija par troksni un svārstībām

Šajās instrukcijās norādītie lielumi, kas raksturo skaņas spiedienu un vibrāciju, ir noteikti ar standartizētas mērījumu metodes palīdzību, un tos var izmantot elektroiekārtu savstarpējai salīdzināšanai. Tos var izmantot arī trokšņa un vibrācijas iedarbības pagaidu novērtējumam.

Norādītie parametri attiecas uz elektroiekārtas galvenajiem lietošanas veidiem. Taču, ja elektroiekārta tiek izmantota citos nolūkos, ar citiem maināmajiem instrumentiem vai netiek nodrošināta pietiekama tās apkope, parametri var atšķirties no norādītajiem. Tas var ievērojami palielināt trokšņa un vibrācijas iedarbību visā darba laikā.

Lai precīzi novērtētu iedarbību, jāņem vērā arī laiks, cik ilgi elektroiekārta ir izslēgta vai ir ieslēgta, taču faktiski netiek darbināta. Tas var būtiski samazināt iedarbību kopējā darba laikā.

Jāparedz papildu drošības pasākumi, lai aizsargātu iekārtas lietotāju pret trokšņa un/vai vibrācijas iedarbību, piemēram, elektroiekārtas un apkope, roku turēšana siltumā, darba procesu organizācija.



Sīkāka informācija par šeit piemērotajām **EN 62841** standartu versijām var atrast Atbilstības deklarācijas attēlā 180.

Skaņas emisijas rādītāji

Skaņas jaudas līmenis (L_{WA})	96 dB(A)
Skaņas jaudas līmeņa pielaide (K_{WA})	3 dB(A)
Skaņas spiediena līmenis (L_{pA})	88 dB(A)
Skaņas spiediena līmeņa pielaide (K_{pA})	3 dB(A)

Informācija par troksni un svārstībām

Kalšana ($a_{h, Cheq}$)	5,9 m/s ²
Iespējamā kļūda (K)	1,5 m/s ²



5 Lietošana

5.1 Sagatavošanās darbam

IEVĒROT PIESARDZĪBU!

Traumu risks! Izstrādājuma nekontrolēta iedarbošanās.

- ▶ Atvienojiet barošanas kabeli, pirms veikt iekārtas iestatīšanu vai aprikojuma maiņu.

Ievērojiet drošības norādījumus un brīdinājumus, kas atrodami šajā dokumentācijā un uz izstrādājuma.

5.1.1 Sānu roktura montāža un noregulēšana

IEVĒROT PIESARDZĪBU!

Traumu risks! Risks zaudēt kontroli pār atskaldāmo āmuru.

- ▶ Pārļecinieties, vai sānu rokturis ir piemontēts pareizi un kārtīgi nostiprināts.

- ▶ Piemontējiet vai noregulējiet sānu rokturi.



Ievērojiet arī aprakstu, kas pievienots sānu rokturim.

5.1.2 Barošanas kabelis ar spraudni

IEVĒROT PIESARDZĪBU!

Traumu risks netīru kontaktu radītās noplūdes strāvas iedarbībā.

- ▶ Veiciet elektrisko spraudkontakta savienošanu ar elektroiekārtu tikai tad, kad kontakti ir tīri, sausi un nav zem sprieguma.

- ▶ Barošanas kabeļa spraudņa pievienošana / atvienošana

5.1.2.1 Barošanas kabeļa pievienošana

IEVĒROT PIESARDZĪBU!

Traumu risks netīru kontaktu radītās noplūdes strāvas iedarbībā.

- ▶ Veiciet elektrisko spraudkontakta savienošanu ar elektroiekārtu tikai tad, kad kontakti ir tīri, sausi un nav zem sprieguma.

1. Līdz galam iespraudiet kodēto elektriskā savienojuma spraudni iekārtas ligzdā, līdz tas sadzirdami nofiksējas.



Mēs iesakām kabeli vienmēr atstāt nostiprinātu pie iekārtas, lai pasargātu instrumenta un kabeļa savienojuma vietu no putekļiem un mitruma. Kabelis jānoņem tikai gadījumā, ja tas ir pārrauts / bojāts.

2. Ievietojiet kontaktdakšu kontaktligzdā.

5.1.2.2 Barošanas kabeļa atvienošana no elektroiekārtas

1. Atvienojiet iekārtu no elektrotīkla.
2. Nospiediet bloķēšanas taustiņu un izvelciet kodēto elektriskā savienojuma spraudni no ligzdas.
3. Izvelciet barošanas kabeli no iekārtas.

5.1.3 Maināmā instrumenta ievietošana

1. Viegli izeidiet maināma instrumenta galu ar smērvielu.
2. Ievietojiet maināmo instrumentu instrumenta patronā un, viegli piespiežot, pagrieziet to, līdz tas dzirdami nofiksējas.
 - ▶ Izstrādājums ir gatavs lietošanai.



Lietojiet tikai oriģinālās **Hilti** smērvielas. Nepiemērotas smērvielas lietošana var izraisīt izstrādājuma bojājumus.



5.1.4 Maināmā instrumenta izņemšana

BRĪDINĀJUMS!

Traumu risks! Lietošanas laikā instruments sakarst, turklāt tam var būt asas šķautnes.

- ▶ Instrumenta nomaiņas laikā valkājiet aizsargcimdus.

BĪSTAMI!

Aizdegšanās risks! Bīstamība, ko rada karsta instrumenta saskaršanās ar viegli uzliesmojošiem materiāliem

- ▶ Nenovietojiet karstus instrumentus uz viegli uzliesmojošiem materiāliem.

1. Pavelciet instrumenta patronu atpakaļ.
2. Izņemiet instrumentu.

5.2 Darbs

IEVĒROT PIESARDZĪBU!

Bojājumu risks nepareizas lietošanas gadījumā!

- ▶ Nepārslēdziet rotācijas virziena un/vai funkciju izvēles slēdzi laikā, kad iekārta darbojas.

Ievērojiet drošības norādījumus un brīdinājumus, kas atrodami šajā dokumentācijā un uz izstrādājuma.

5.2.1 Kalšana



Kaltu iespējams novietot 6 dažādās pozīcijās (ar 60° soli). Pateicoties tam, ar plakano kaltu un profila kaltu vienmēr var strādāt optimālā darba pozīcijā.

Nepietiekama piespiešanas spēka gadījumā kalts lēk. Pārāk liels piespiešanas spēks samazina kalšanas efektivitāti.

1. Ievietojiet kontaktdakšu kontaktlīgdzē.
2. Novietojiet kaltu apmēram 80-100 mm (3 1/8"-4") attālumā no malas.
3. Sāciet kalšanu 70° līdz 80° leņķī pret betona virsmu un novietojiet kalta smaili tā, lai tā būtu pavērsta pret malu. Pēc tam mainiet leņķi 90° virzienā un izlauziet materiālu.
 - ▶ Apstrādājot materiālus ar metāla armatūru, vienmēr virziet kaltu pret materiāla malu, nevis pret armatūru.
4. Regulāri pagrieziet kaltu, jo vienmērīgs tā nolietojums veicina pašuzasināšanās procesu.

5.2.2 Kalšanas jaudas iestatīšana

- ▶ Nospiediet jaudas regulatoru.
 - ▶ Nospiežot jaudas regulatoru, jūs varat samazināt kalšanas jaudu līdz apm. 70 %.



Kalšanas jaudas iestatīšana ir iespējama tikai tad, kad iekārta atrodas ieslēgtā stāvoklī. Vēlreiz nospiežot jaudas regulatoru, tiek atjaunots pilnas jaudas iestatījums. Arī tad, ja iekārta izslēdz un vēlreiz ieslēdz, ir aktivēts pilnas jaudas iestatījums.

6 Apkope un uzturēšana

BRĪDINĀJUMS!

Elektriskā trieciena risks! Apkopes un remonta darbu veikšana, neatvienojot iekārta no elektrotīkla, var izraisīt smagas traumas un apdegumus.

- ▶ Pirms jebkādiem apkopes un remonta darbiem vienmēr atvienojiet tīkla kontaktdakšu!

Kopšana

- Uzmanīgi notīriet pielīpušos netīrumus.
- Uzmanīgi iztīriet ventilācijas atveres ar sausu birstīti.
- Korpusa tīrīšanai lietojiet tikai nedaudz samitrinātu drāniņu. Nedrīkst lietot silikonu saturošus kopšanas līdzekļus, kas var sabojāt plastmasas daļas.



Uzturēšana



BRĪDINĀJUMS!

Elektrošoka risks! Neprofesionāli veikts elektrisko daļu remonts var kļūt par cēloni smagām traumām un apdegumiem.

- ▶ Elektrisko daļu labošanu var veikt tikai elektrības nozares speciālisti.
- Regulāri pārbaudiet visas redzamās daļas, lai pārlicinātos, ka tās nav bojātas un funkcionē nevainojami.
- Bojājumu un/vai funkciju traucējumu gadījumā izstrādājumu nedrīkst lietot. Tas nekavējoties jānodod **Hilti**, lai veiktu remontu.
- Pēc apkopes un remonta darbiem visas aizsargierīces jāpiemontē vietā un jāpārbauda, vai tās darbojas.



Lai iekārtas lietošana būtu droša, izmantojiet tikai oriģinālās rezerves daļas un patēriņa materiālus. Rezerves daļas un patēriņa materiālus, kuru lietošanu kopā ar šo iekārtu mēs akceptējam, var atrast **Hilti Store** vai tīmekļvietnē: www.hilti.group.

6.1 Putekļu aizsarga tīrīšana

- ▶ Putekļu aizsargs, kas atrodas pie instrumenta patronas, jānotīra ar tīru un sausu drāniņu.
- ▶ Bļīvējuma apmale uzmanīgi jānotīra un viegli jāieziež ar **Hilti** smērvielu.
- ▶ Ja bļīvējuma apmale ir bojāta, putekļu aizsargs obligāti jānomaina.

7 Transportēšana un uzglabāšana

- Netransportējiet elektroiekārtu ar tajā ievietotu darba instrumentu.
- Glabāšanas laikā elektroiekārtas barošanas kabeļa kontaktdakšai vienmēr jābūt atvienotai.
- Glabājiet iekārtu sausā vietā, kas nav pieejama bērniem.
- Pirms atsākt iekārtas lietošanu pēc ilgās transportēšanas vai uzglabāšanas, pārbaudiet, vai tā nav bojāta.

8 Traucējumu novēršana

Ja iekārtas darbībā ir radušies traucējumi, kas nav uzskaitīti šajā tabulā vai ko jums neizdodas novērst saviem spēkiem, lūdzu, meklējiet palīdzību mūsu **Hilti** servisā.

8.1 Traucējumu diagnostika

Traucējums	Iespējamais iemesls	Risinājums
Iekārtu nevar iedarbināt.	Notiek elektronikas inicializācija (ne ilgāk kā 4 sekundes pēc spraudņa pievienošanas). Pēc sprieguma padeves pārtraukuma ir aktivēta elektroniskā ieslēgšanās bloķēšana.	▶ Izslēdziet un vēlreiz ieslēdziet iekārtu.
	Pārtraukta tīkla elektropadeve.	▶ Pievienojiet citu elektroiekārtu un pārbaudiet, vai tā darbojas.
	Ģenerators atrodas gaidīšanas režīmā.	▶ Radiet ģenerators noslodzi ar cita patērētāja (piemēram, būvniecības lampas) palīdzību. Pēc tam izslēdziet un vēlreiz ieslēdziet iekārtu.
	Nav kārtīgi pievienots barošanas kabeļa spraudnis.	▶ Kārtīgi savienojiet barošanas kabeļa spraudni ar elektroiekārtu.
Servisa indikācija deg sarkanā krāsā.	Radies iekārtas bojājums vai pienācis laiks servisa darbiem.	▶ Uzticiet izstrādājuma remontu tikai Hilti servisa darbiniekiem.
Servisa indikācija mirgo sarkanā krāsā.	Elektroapgādē pārāk augsts spriegums.	▶ Apmainiet kontaktligzdu. Pārbaudiet tīklu.
	Termiskā aizsardzība.	▶ Vispirms ļaujiet iekārtai atdzist. Izīriiet ventilācijas atveres. Darbība tukšgaitā nav iespējama.



Traucējums	Iespējamais iemesls	Risinājums
Nav triecienu funkcijas.	Iekārta ir pārāk auksta.	► Novietojiet atskaldāmo āmuru uz virsmas un neilgu laiku padarbiniet to tukšgaitā. Ja nepieciešams atkārtojiet šo procesu, līdz triecienu mehānisms iedarbojas.
Iekārta nedarbojas ar pilnu jaudu	Aktivēta jaudas samazināšana.	► Jānospiež jaudas regulators (jāņem vērā jaudas indikācijas rādījums). Iekārta jāatvieno un no jauna jāpievieno.
	Pagarinātājkabelis ir pārāk garš un / vai ar nepietiekamu šķērsgrīzumu.	► Jālieto pieļaujamā garuma pagarinātājkabelis ar pietiekami lielu šķērsgrīzumu.
	Elektroapgādē nepietiekams spriegums.	► Pievienojiet iekārtu citam sprieguma avotam.
Kaltu nevar atbrīvot no fiksācijas.	Patronas fiksācija nav pilnībā atvilkta atpakaļ.	► Fiksācija līdz galam jāatvelk atpakaļ un jāizņem instruments.
Iekārta darbības laikā izslēdzas.	Termiskā aizsardzība.	► Vispirms ļaujiet iekārtai atdzist. Izīriet ventilācijas atveres. Darbība tukšgaitā nav iespējama.

9 Nokalpojušo iekārtu utilizācija

Hilti iekārtu izgatavošanā tiek izmantoti galvenokārt otrreiz pārstrādājami materiāli. Priekšnosacījums otrreizējai pārstrādei ir atbilstoša materiālu šķirošana. Daudzās valstīs **Hilti** pieņem nolietotās iekārtas otrreizējai pārstrādei. Lai saņemtu vairāk informācijas, vērsieties **Hilti** servisā vai pie sava pārdošanas konsultanta.



- Neizmetiet elektroiekārtas, elektroniskas ierīces un akumulatorus sadzīves atkritumos!

10 RoHS (Richtlinie zur Beschränkung der Verwendung gefährlicher Stoffe)

Lai apskatītu bīstamo vielu tabulu, izmantojiet šādu saiti: qr.hilti.com/r9672135.
Saiti uz RoHS tabulu jūs QR koda veidā atradīsiet šīs dokumentācijas beigās.

11 Ražotāja garantija

- Ar jautājumiem par garantijas nosacījumiem, lūdzu, vērsieties pie vietējā **Hilti** partnera.

Originali naudojimo instrukcija

1 Informacija apie naudojimo instrukciją

1.1 Apie šią naudojimo instrukciją

- **Išpėjimas!** Prieš pradėdami naudoti prietaisą įsitinkinkite, kad perskaitėte ir supratote prie prietaiso pridėdamą naudojimo instrukciją, įskaitant instrukcijas, saugos ir išpėjamuosius nurodymus, paveikslėlius ir specifikacijas. Svarbiausia susipažinkite su visomis instrukcijomis, saugos ir išpėjamaisiais nurodymais, paveikslėliais, specifikacijomis be sudėtinėmis dalimis ir funkcijomis. Nesilaikant šio reikalavimo, kyla elektros smūgio, gaisro ir (arba) sunkių sužalojimų pavojus. Vėlesniam naudojimui išsaugokite naudojimo instrukciją, įskaitant visas instrukcijas, saugos ir išpėjamuosius nurodymus.
- **HILTI** prietaisai yra skirti profesionalams, todėl juos naudoti, atlikti jų technines priežiūras ir remontu darbus leidžiama tik įgaliotam, instruktuojamam personalui. Šis personalas turi būti supažindintas su visais galimais pavojais. Neinstruktuojo personalo netinkamai arba ne pagal paskirtį naudojamas prietaisas ir jo priedai gali kelti pavojų.



- Priedama naudojimo instrukcija atitinka naujausią technikos lygį spausdinimo momentu. Naujausią versiją visada rasite internetu „Hilti“ prietaisų puslapyje. Sekite nuorodą arba QR kodą šioje naudojimo instrukcijoje, pažymėtą simboliu .
- Kitiems asmenims prietaisą perduokite tik kartu su šia naudojimo instrukcija.

1.2 Ženklių paaiškinimas

1.2.1 Įspėjantieji nurodymai

Įspėjantieji nurodymai įspėja apie pavojus, gresiančius eksploatuojant prietaisą. Naudojami šie signaliniai žodžiai:

PAVOJUS

PAVOJUS !

- ▶ Šis žodis vartojamas norint įspėti apie tiesiogiai gresiantį pavojų, kurio pasekmės yra sunkūs kūno sužalojimai arba žūtis.

ĮSPĖJIMAS

ĮSPĖJIMAS !

- ▶ Šis žodis vartojamas norint įspėti apie galimai gresiantį pavojų, kurio pasekmės gali būti sunkūs kūno sužalojimai arba žūtis.

ATSARGIAI

ATSARGIAI !

- ▶ Šis žodis vartojamas potencialiai pavojingai situacijai žymėti, kai yra kūno sužalojimo arba materialinių nuostolių grėsmė.

1.2.2 Naudojimo instrukcijoje naudojami simboliai

Šioje naudojimo instrukcijoje naudojami tokie simboliai:

	Laikykites naudojimo instrukcijos
	Naudojimo nurodymai ir kita naudinga informacija
	Rodo, kad juo paženklintą medžiagą galima perdirbti
	Elektrinių prietaisų ir akumuliatorių nemesti į buitines atliekas

1.2.3 Simboliai iliustracijose

Iliustracijose naudojami šie simboliai:

	Šis skaitmenys nurodo atitinkamą paveikslėlį šios naudojimo instrukcijos pradžioje.
3	Numeracija paveikslėliuose nurodo svarbius darbinis veiksmus arba darbiniams veiksams svarbias konstrukcines dalis. Tekste šie darbiniai veiksmai arba konstrukcinės dalys išskirtos atitinkamais numeriais, pvz., (3).
	Pozicijų numeriai naudojami paveikslėlyje Apžvalga – jie nurodo skyrelyje Prietaiso vaizdas esančių paaiškinimų numerius.
	Šiuo ženklu siekiama atkreipti ypatingą dėmesį į naudojamą šiuo prietaisu.

1.3 Simboliai ant prietaiso

1.3.1 Simboliai ant prietaiso

Ant prietaiso naudojami tokie simboliai:

	II apsaugos klasė (su dviguba izoliacija)
--	---



2.1 Bendrieji saugos nurodymai dirbantiems su elektriniais įrankiais

⚠️ IŠSPĖJIMAS Perskaitykite visus ant šio elektrinio įrankio esančius saugos nurodymus, instrukcijas, paveikslėlius ir techninius duomenis. Šių nurodymų nesilaikymas gali tapti elektros smūgio, gaisro ir / arba sunkių sužalojimų priežastimi.

Išsaugokite visus saugos nurodymus ir instrukcijas, kad galėtumėte į juos pažvelgti ateityje.

Saugos nurodymuose vartojama sąvoka „elektrinis įrankis“ apibrėžiami iš elektros tinklo maitinami elektriniai įrankiai (turintys maitinimo kabelį) ir iš akumuliatoriaus maitinami elektriniai įrankiai (be maitinimo kabelio).

Sauga darbo vietoje

- ▶ **Pasirūpinkite, kad darbo vieta visada būtų švari ir gerai apšviesta.** Netvarkinga ar blogai apšviesta darbo vieta gali tapti nelaimingų atsitikimų priežastimi.
- ▶ **Nenaudokite elektrinio įrankio sprogioje aplinkoje, kurioje yra degių skysčių, dujų arba dulkių.** Veikiantys elektriniai įrankiai kibirkščiuoja, ir kibirkštys gali uždegti dulkes arba susikaupusius garus.
- ▶ **Dirbdami su elektriniu įrankiu, neieškite darbo zonoje būti vaikams ir pašaliniams asmenims.** Atitraukę dėmesį nuo darbo, galite nebesuvaldyti prietaiso.

Apsauga nuo elektros

- ▶ **Prietaiso maitinimo kabelio kištukas turi atitikti elektros lizdo tipą.** Kištuko jokiu būdu negalima keisti. Nenaudokite tarpinių kištukų kartu su elektriniais įrankiais, turinčiais apsauginį įžeminimą. Nepakeisti kištukai ir tinkami elektros lizdai mažina elektros smūgio riziką.
- ▶ **Venkite kūno kontakto su įžemintais paviršiais, pvz., vamzdžiais, šildytuvais, viryklėmis ir šaldytuvais.** Kai žmogaus kūnas yra įžemintas, padidėja elektros smūgio tikimybė.
- ▶ **Elektrinius įrankius saugokite nuo lietaus ir drėgmės.** Į elektrinį įrankį patekus vandens, padidėja elektros smūgio rizika.
- ▶ **Nenaudokite elektros maitinimo kabelio ne pagal paskirtį, t. y. neneškite elektrinio įrankio paėmę už kabelio, nekabinkite jo ant kabelio, netraukite už kabelio, norėdami ištraukti kištuką iš elektros lizdo.** Elektros maitinimo kabelį saugokite nuo karščio, alyvos, aštrių briaunų ar judančių dalių. Pažeisti arba susipynę elektros maitinimo kabeliai didina elektros smūgio riziką.
- ▶ **Jeį su elektriniu įrankiu dirbate lauke, naudokite tik tokius ilginimo kabelius, kurie tinka ir lauko darbams.** Naudojant lauko darbams tinkančius ilginimo kabelius, mažėja elektros smūgio rizika.
- ▶ **Jeigu elektrinio įrankio naudojimo drėgnoje aplinkoje negalima išvengti, į elektros tinklą jįjunkite per apsauginę nuotėkio relę.** Apsauginė nuotėkio relė mažina elektros smūgio riziką.

Žmonių sauga

- ▶ **Dirbdami su elektriniu įrankiu, būkite atidūs, sutelkite dėmesį į darbą ir vadovaukitės sveika nuovoka.** Elektrinio įrankio nenaudokite, jeigu esate pavargę arba apsvaigę nuo narkotinių medžiagų, alkoholio ar vaistų. Neatidumo akimirka dirbant su elektriniu įrankiu gali tapti rimtų sužalojimų priežastimi.
- ▶ **Naudokite asmenines apsaugos priemones ir visuomet užsidėkite apsauginius akinius.** Naudojant asmenines apsaugos priemones, pvz., respiratorių, neslystančius apsauginius batus, apsauginį šalną, ausines ir kt., priklausomai nuo elektrinio įrankio tipo ir naudojimo, mažėja rizika susižaloti.
- ▶ **Saugokitės, kad neįjungtumėte prietaiso atsitiktinai.** Prieš prijungdami prie elektros maitinimo tinklo, idėdami akumuliatorių, imdami į rankas ar nešdami, įsitinkite, kad elektrinis įrankis yra išjungtas. Jeigu nešdami elektrinį įrankį pirštą laikysite ant jungiklio arba įrankį įjungsite į elektros tinklą tuomet, kai jungiklis nėra išjungtas, gali įvykti nelaimingas atsitikimas.
- ▶ **Prieš įjungdami elektrinį įrankį, pašalinkite iš jo reguliavimo įrankius ar veržlinius raktus.** Besisukančioje prietaiso dalyje esantis įrankis ar paliktas raktas gali tapti sužalojimų priežastimi.
- ▶ **Venkite nepatogių kūno padėčių.** Dirbdami stovėkite tvirtai ir visada išlaikykite kūno pusiausvyrą. Taip galėsite geriau kontroliuoti elektrinį įrankį netikėtose situacijose.
- ▶ **Vilkėkite tinkamą aprangą. Nevilkėkite plačių drabužių, nesidėkite papuošalų.** Saugokite plaukus, drabužius ir pirštines nuo besisukančių prietaiso dalių. Laisvus drabužius, papuošalus ir ilgus plaukus gali įtraukti besisukančios prietaiso dalys.
- ▶ **Jeį yra numatyta galimybė prijungti dulkių nusiurbimo ar surinkimo įrenginius, visada įsitinkite, kad jie yra prijungti ir tinkamai naudojami.** Naudojant dulkių nusiurbimo įrenginį, gali sumažėti dulkių keliamo grėsmė.
- ▶ **Neturėkite iliuzijų, kad visada esate saugūs, ir, skaitydami naudojimo instrukcijas, nepraleiskite skyrelių apie saugų darbą su elektriniais įrankiais, net jeigu per ilgus naudojimo metus esate su savo elektriniu įrankiu susipažinę.** Neatsargus veiksmas per sekundės dalį gali tapti sunkių sužalojimų priežastimi.



Elektrinio įrankio naudojimas ir elgesys su juo

- ▶ **Prietaiso neperkraukite.** Naudokite Jūsų darbui tinkamą elektrinį įrankį. Su tinkamu elektriniu įrankiu dirbsite geriau ir saugiau, jei neviršysite nurodytos galios.
- ▶ **Nenaudokite elektrinio įrankio su sugedusiu jungikliu.** Elektrinis įrankis, kurio nebegalima įjungti ar išjungti, yra pavojingas ir jį reikia remontuoti.
- ▶ **Prieš prietaisą nustatydami, keisdami reikmenis ar tiesiog padėdami į šalį, visuomet ištraukite maitinimo kabelio kištuką iš elektros lizdo ir / arba iš prietaiso išimkite akumuliatorių.** Ši atsargumo priemonė leis išvengti netikėto elektrinio įrankio įsijungimo.
- ▶ **Nenaudojamus elektrinius įrankius saugokite vaikams nepasiekiamoje vietoje. Neleiskite prietaisu naudotis asmenims, kurie nėra su juo susipažinę arba nėra perskaitę šios instrukcijos.** Elektriniai įrankiai yra pavojingi, kai juos naudoja patirties neturintys asmenys.
- ▶ **Elektrinius įrankius ir reikmenis rūpestingai prižiūrėkite.** Tikrinkite, ar judančios elektrinio įrankio dalys tinkamai funkcionuoja ir niekur nekliūva, ar nėra sulūžusių ir pažeistų dalių, kurios blogintų įrankio veikimą. Prieš naudojimą pažeistos prietaiso dalys turi būti suremontuotos. Blogai prižiūrimi elektriniai įrankiai yra daugelio nelaimingų atsitikimų priežastis.
- ▶ **Pjovimo įrankiai visuomet turi būti aštrūs ir švarūs.** Rūpestingai prižiūrėti pjovimo įrankiai su aštriomis pjovimo briaunomis mažiau stringa ir yra lengviau valdomi.
- ▶ **Elektrinį įrankį, reikmenis, keičiamuosius įrankius ir t. t. naudokite pagal šias instrukcijas. Taip pat atsižvelkite į darbo sąlygas ir atliekamo darbo pobūdį.** Elektrinius įrankius naudojant ne pagal paskirtį, gali kilti pavojingos situacijos.
- ▶ **Prižiūrėkite rankenas, kad jos ir jų laikymo paviršiai visada būtų sausi, švarūs ir neriebaluoti.** Slidžios rankenos ir jų laikymo paviršiai negali užtikrinti elektrinio įrankio saugaus naudojimo ir valdymo kontrolės nenumatytose situacijose.

Techninė priežiūra

- ▶ **Savo elektrinį įrankį patikėkite remontuoti tik kvalifikuotam specialistui, tam jis turi naudoti tik originalias atsargines dalis.** Taip galima užtikrinti, kad bus išlaikytas elektrinio įrankio naudojimo saugumas.

2.2 Saugos nurodymai smūginiams įrankiams

Saugos nurodymai visiems darbams

- ▶ **Dirbdami užsidėkite ausines.** Triukšmas gali pakenkti klausai.
- ▶ **Naudokite prietaiso komplekte esančias papildomas rankenas.** Prietaisui tapus nebevaldomam, galite susižaloti.
- ▶ **Vykdydami darbus, kurių metu keičiamasis įrankis gali liesti paslėptus elektros laidus ar nuosavą elektros maitinimo kabelį, prietaisą laikykite paėmę už izoliuotų rankenų paviršių.** Dėl kontakto su laidais, kuriais teka elektros srovė, metalinėse prietaiso dalyse taip pat gali atsirasti įtampa, todėl kyla elektros smūgio pavojus.

2.3 Papildomi saugos nurodymai

Žmonių sauga

- ▶ Prietaisą naudokite tik tada, kai jis yra techniškai tvarkingas.
- ▶ Prietaisą draudžiama keisti ar kitaip juo manipuliuoti.
- ▶ Naudotojas ir netoliese esantys asmenys darbo su prietaisu metu turi užsidėti tinkamus apsauginius akinius, apsauginį šalną, mūvėti apsaugines pirštines ir avėti apsauginius batus.
- ▶ Keisdami įrankį, mūvėkite apsaugines pirštines, nes naudojamas įrankis įkaista.
- ▶ Vykdydami sienų ar grindų pragręžimo ar pramušimo kiaurai darbus, apsaugokite kitoje pusėje esančią zoną. Gręžimo kernai ar medžiagos nuolaužos gali iškristi arba nukristi ir sužaloti kitus žmones.
- ▶ Įsitikinkite, kad šoninė rankena tinkamai sumontuota ir tvarkingai pritvirtinta. Prietaisą visada laikykite tvirtai, abiem rankomis paėmę už rankenų. Prižiūrėkite rankenas, kad jos būtų sausas, švarios ir netepaluotos.
- ▶ Dirbdami darykite pertraukas ir atpalaidavimo pratimus pirštams, kad pagerėtų kraujotaka. Dirbant ilgą laiką, vibracijos gali sukelti pirštų, plaštakos ar riešo sąnario kraujagyslių ar nervų sistemos pažeidimus.
- ▶ Prietaisas nėra skirtas naudoti fiziškai silpniems neinstrukuotiems asmenims.
- ▶ Prietaisą laikykite vaikams nepasiekiamoje vietoje.
- ▶ Prieš pradėdami dirbti, nustatykite darbo metu kilsiančių dulkių kenksmingumo klasę. Naudokite licencijuotą statybinį dulkių siurbį, atitinkantį apsaugos klasę pagal vietoje galiojančias apsaugos nuo dulkių normas.



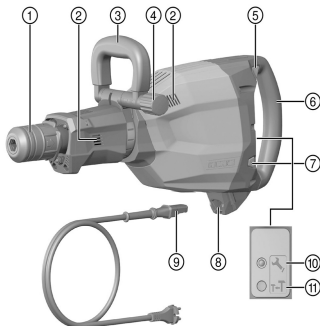
- ▶ Pagal galimybes naudokite dulkių nusiurbimo įtaisą ir tinkamą mobiliąjį dulkių siurbį. Tam tiktų medžiagų, pvz., dažų, kuriuose yra švino junginių, kai kurių medienos rūšių, betono / mūro / akmens, kuriuose yra kvarco ir kitų mineralų, taip pat metalo dulkės gali būti sveikatai kenksmingos.
- ▶ Pasiūpinkite, kad darbo vieta būtų gerai vėdinama, ir, jeigu reikia, užsidėkite atitinkamoms dulkėms skirtą kvėpavimo takus saugančią kaukę. Liečiamos ar įkvėptos tokios dulkės darbuotojui ar arti jo esantiems asmenims gali sukelti alergines reakcijas ir / arba kvėpavimo takų susirgimus. Ažuolo arba buko medienos dulkės gali sukelti vėžinius susirgimus, ypač tada, kai buvo naudojami priedai medienai apdoroti (chromatai, medienos konservantai). Medžiagas, kuriose yra asbesto, leidžiama apdoroti tik specialistams.
- ▶ Iš statybos vadovybės gaukite leidimą darbams vykdyti. Darbai pastatuose ar kituose statiniuose gali daryti įtaką jų statinei sistemai, ypač kai nupjaunama plieninė armatūra arba atraminiai elementai.

Apsauga nuo elektros

- ▶ Prieš pradėdami dirbti, patikrinkite, ar darbo zonoje nėra paslėptų elektros laidų, dujų ar vandentiekio vamzdžių. Netyčia pažeidus elektros kabelį, išorinėse metalinėse prietaiso dalyse gali atsirasti įtampa, kelianti elektros smūgio pavojų.
- ▶ Nuolat tikrinkite prietaiso elektros maitinimo kabelį; pažeistą kabelį turėtų pakeisti kvalifikuotas specialistas. Jeigu elektrinio įrankio maitinimo kabelis yra pažeistas, jį būtina pakeisti specialiai paruoštu ir apbruotu elektros maitinimo kabeliu, kurį galima įsigyti per klientų aptarnavimo tinklą. Reguliariai tikrinkite ilginimo kabelį, o pažeistą pakeiskite nauju. Nesilieskite prie maitinimo ar ilginimo kabelio, jeigu darbo metu jie buvo apgadinti. Maitinimo kabelio kištuką ištraukite iš elektros lizdo. Pažeisti elektros maitinimo ir ilginimo kabeliai kelia elektros smūgio pavojų.
- ▶ Jei prietaisus dažnai naudojate elektrai laidžioms medžiagoms apdirbti, užterštus prietaisus reguliariai tikrinkite **Hilti** techniniame centre. Ant prietaiso korpuso susikaupusios dulkės, ypač laidžių medžiagų dulkės, arba drėgmė, esant nepalankioms sąlygoms, gali kelti elektros smūgio pavojų.
- ▶ Nutūkūs elektros energijos tiekimui, išjunkite prietaisą ir ištraukite jo maitinimo kabelio kištuką iš elektros lizdo. Taip išvengsite atsitiktinio prietaiso įsijungimo, kai įtampa elektros tinkle vėl atsiras.

3 Aprašymas

3.1 Prietaiso vaizdas



- 1 Įrankio griebtuvas
- 2 Vėdinimo plyšiai
- 3 Šoninė rankena
- 4 Apvali rankenėlė
- 5 Jungiklis
- 6 Rankena
- 7 Galios pasirinkimo jungiklis
- 8 Jungtis elektros maitinimo kabeliui
- 9 Elektros maitinimo kabelis su atskiriamu koduotu jungties kištuku
- 10 Techninės priežiūros indikatorius
- 11 Galios pasirinkimo indikatorius



3.2 Naudojimas pagal paskirtį

Aprašomas prietaisas yra iš elektros tinklo maitinamas kirstuvas, kurio paskirtis – sunkūs kirtimo / atskėlimo darbai.

Jis yra skirtas betono, mūro, akmens ir asfalto ardymo bei griovimo darbams vykdyti.

- ▶ Su prietaisu dirbkite tik įjungę jį į elektros tinklą, kurio įtampa ir dažnis atitinka reikšmes, nurodytas prietaiso firminėje duomenų lentelėje.

3.3 Netinkamas naudojimas

Sveikatai pavojingoms medžiagoms apdoroti šis prietaisas netinka.

Šis prietaisas nėra skirtas eksploatuoti drėgnoje aplinkoje.

3.4 Active Vibration Reduction (AVR)

Kirstuvas turi Active Vibration Reduction (AVR) sistemą, kuri stipriai mažina vibraciją.

3.5 Galios pasirinkimo indikatorius

Kirstuve yra įrengtas galios pasirinkimo indikatorius su šviesos signalu.

Spausdami galios pasirinkimo jungiklį, kirtimo galią galite sumažinti iki maždaug 70 %. Kai galia sumažinta, galios pasirinkimo indikatorius šviečia.

3.6 Techninės priežiūros indikatorius būseną

Kirstuve yra įrengtas techninės priežiūros indikatorius su šviesos signalu.

Būseną	Reikšmė
Techninės priežiūros indikatorius šviečia raudona spalva.	Laikas vykdyti techninės priežiūros darbus. Prietaiso gedimas.
Techninės priežiūros indikatorius mirksi raudona spalva.	Apsauga nuo perkaitimo. Elektros tinkle yra per didelė įtampa.



Prietaisą laiku pristatykite į **Hilti** techninės priežiūros centrą. Taip jis bus visada parengtas naudoti.

3.7 Tiekiamas komplektas

Kirstuvas, šoninė rankena, naudojimo instrukcija.

Daugiau Jūsų turimam prietaisui skirtų sisteminių reikmenų rasite vietinėje **Hilti Store** arba tinklalapyje www.hilti.group

4 Techniniai duomenys

4.1 Kirstuvas



Nominalioji maitinimo įtampa, nominalioji srovė, dažnis ir / arba nominali vartojamoji galia yra nurodyti Jūsų šaliai galiojančioje firminėje duomenų lentelėje.

Prietaisą maitinant iš generatoriaus arba transformatoriaus, šių įrenginių atiduodamoji galia turi būti bent dvigubai didesnė už prietaiso firminėje duomenų lentelėje nurodytą nominalią vartojamąją galią. Generatoriaus arba transformatoriaus darbinės įtampos reikšmė bet kuriuo metu turi būti prietaiso nominalios maitinimo įtampos +5 % ir -15 % ribose.

	TE 1000-AVR
Prietaiso karta	02
Svoris pagal EPTA-Procedure 01	12,5 kg
Smūgio energija pagal EPTA-Procedure 05	26 J



4.2 Informacija apie triukšmą ir vibracijos reikšmės

Šiuose nurodymuose pateiktos garso slėgio ir vibracijos reikšmės yra išmatuotos taikant standartizuotą matavimo metodą ir gali būti naudojamos elektriniams įrankiams palyginti tarpusavyje. Jos taip pat tinka šių veiksmų poveikiui iš anksto įvertinti.

Nurodytieji duomenys yra susieti su pagrindinėmis šio elektrinio įrankio naudojimo sritimis. Jeigu elektrinis įrankis bus naudojamas kitaip, su skirtingais keičiamaisiais įrankiais arba bus nepakankamai techniškai prižiūrimas, šie duomenys gali skirtis nuo nurodytųjų. Tai gali gerokai padidinti šių veiksmų poveikį per visą darbo laikotarpį.

Norint tiksliai įvertinti poveikį, reikėtų įvertinti ir laiką, kai elektrinis prietaisas yra išjungtas, arba, nors ir įjungtas, juo faktiškai nedirbama. Toks įvertinimas gali smarkiai sumažinti poveikio per visą darbo laikotarpį reikšmę. Imkitės papildomų saugos priemonių, kad darbuotojas būtų apsaugotas nuo triukšmo ir / arba vibracijos poveikio, pavyzdžiui, reikalaukite tinkamos elektrinio įrankio ir keičiamųjų įrankių techninės priežiūros, pasirūpinkite, kad darbuotojų rankos visada būtų šiltos, užtikrinkite tinkamą darbo organizavimą.



Išsamios informacijos apie čia taikomų **EN 62841** standartų versijas rasite atitiktis deklaracijos vaizde 180.

Skleidžiamo triukšmo lygio reikšmės

Garso stiprumo lygis (L_{WA})	96 dB(A)
Garso stiprumo lygio paklaida (K_{WA})	3 dB(A)
Skleidžiamo garso slėgio lygis (L_{pA})	88 dB(A)
Garso slėgio lygio paklaida (K_{pA})	3 dB(A)

Informacija apie triukšmą ir vibracijos reikšmės

Kirtimas kalnu ($a_{n, Cheq}$)	5,9 m/s ²
Paklaida (K)	1,5 m/s ²

5 Naudojimas

5.1 Pasiruošimas darbui

ATSARGIAI

Sužalojimo pavojus! Atsitiktinis prietaiso įjungimas.

- Prieš nustatydami prietaisą ar keisdami reikmenis, maitinimo kabelio kištuką ištraukite iš elektros lizdo.

Laikykites šioje instrukcijoje ir ant prietaiso pateiktų saugos nurodymų ir įspėjimų.

5.1.1 Šoninės rankenos montavimas ir padėties reguliavimas

ATSARGIAI

Sužalojimo pavojus Yra grėsmė kirstuvo nebesuvaldyti.

- Įsitikinkite, kad šoninė rankena tinkamai sumontuota ir tvarkingai pritvirtinta.
- Sumontuokite šoninę rankeną arba pakeiskite jos padėtį.



Atkreipkite dėmesį ir į pridėtamą šoninės rankenos aprašymą.

5.1.2 Įkišamas elektros maitinimo kabelis

ATSARGIAI

Sužalojimo pavojus dėl paviršinio nuotėkio srovės, esant užterštiems kontaktams.

- Atskiriamą elektros maitinimo kabelio kištuką prie prietaiso junkite tik kai jis yra švarus, sausas ir atjungtas nuo elektros tinklo.
- Prijunkite / atjunkite įkišamą elektros maitinimo kabelį.



5.1.2.1 Įkišamo elektros maitinimo kabelio prijungimas

ATSARGIAI

Sužalojimo pavojus dėl paviršinio nuotėkio srovės, esant užterštiems kontaktams.

- ▶ Atskiriamą elektros maitinimo kabelio kištuką prie prietaiso junkite tik kai jis yra švarus, sausas ir atjungtas nuo elektros tinklo.

1. Koduotą atskiriamą elektrinę kištukinę jungtį kiškite į prietaisą, kol atsirems, o fiksatorius garsiai užsifiksuos.

Rekomenduojame kabelį visada pavesti pritvirtinti prie prietaiso, siekiant apsaugoti prietaiso ir kabelio sąsają nuo dulkių ir drėgmės. Kabelį reikėtų ištraukti tik tuo atveju, jei jis trūko arba buvo pažeistas.

2. Maitinimo kabelio kištuką įstatykite į elektros lizdą.

5.1.2.2 Įkišamo elektros maitinimo kabelio atjungimas nuo elektrinio prietaiso

1. Maitinimo kabelio kištuką ištraukite iš elektros lizdo.
2. Paspauskite fiksavimo mygtuką ir koduotą atskiriamą elektrinę kištukinę jungtį ištraukite.
3. Elektros maitinimo kabelį ištraukite iš prietaiso.

5.1.3 Keičiamojo įrankio įdėjimas

1. Keičiamojo įrankio kotą šiek tiek patepkite tirštuoju tepalu.
2. Keičiamąjį įrankį įstatykite į įrankio griebtuvą ir, lengvai spausdami, sukite, kol girdimai užsifiksuos.
 - ▶ Prietaisas yra parengtas naudoti.

Naudokite tik originalų **Hilti** tirštąjį tepalą. Naudojant netinkamą tirštąjį tepalą, yra pavojus prietaisą pažeisti.

5.1.4 Keičiamojo įrankio išėmimas

ĮSPĖJIMAS

Sužalojimo pavojus Naudojamas įrankis įkaista, jo briaunos gali būti aštrios.

- ▶ Keisdami įrankį, mūvėkite apsaugines pirštines.

PAVOJUS

Gaisro pavojus. Pavojų kelia karšto įrankio lietimasis su lengvai užsidegančiomis medžiagomis.

- ▶ Įkaitusio įrankio nedėkite ant lengvai užsidegančių medžiagų.

1. Įrankio griebtuvą traukite atgal.
2. Išimkite įrankį.

5.2 Darbas

ATSARGIAI

Galima žala dėl netinkamo naudojimo!

- ▶ Tuo metu, kai įrankis veikia, sukimosi krypties ir / arba funkcijos pasirinkimo jungiklių nejudinkite!

Laikykitės šioje instrukcijoje ir ant prietaiso pateiktų saugos nurodymų ir įspėjimų.

5.2.1 Kirtimas kalnu

Kalną galima fiksuoti 6-ose padėtyse (60° žingsniu). Todėl plokščiuoju ir profiliniu kalnu visada galima dirbti pasirinkus atitinkamą optimalią darbinę padėtį.

Kai spaudimo jėga per mažą, kaltas šokinėja. Kai spaudimo jėga per didelė, mažėja kirtimo galia.

1. Maitinimo kabelio kištuką įstatykite į elektros lizdą.
2. Kaltą pridėkite maždaug 80–100 mm (3 1/8 – 4") atstumu nuo briaunos.
3. Kirtimo procesą pradėkite, kaltą laikydami 70°... 80° kampu į betoninį paviršių ir jo smaigalį nukreipę briaunos link. Tada kalto kampą didinkite 90° link ir taip atskelkite medžiagą.
 - ▶ Apdorodami gelžbetonį, kaltą visada statykite prie medžiagos briaunos, o ne prie armatūrinio plieno.



4. Kaltą reguliariai apskukite, nes tolygus jo dėvėjimasis skatina savaiminio pasigalandimo procesą.

5.2.2 Kirtimo galios nustatymas

- ▶ Spauskite galios pasirinkimo jungiklį.
 - ▶ Spausdami galios pasirinkimo jungiklį, kirtimo galią galite sumažinti iki maždaug 70 %.



Kirtimo galią nustatyti galima tik tada, kai įjungtas darbo režimas. Galios pasirinkimo jungiklį paspausdamas dar kartą, vėl galima dirbti visa kirtimo galia. Prietaisą išjungus ir vėl įjungus, taip pat nusistato visa kirtimo galia.

6 Priežiūra ir einamasis remontas



ĮSPĖJIMAS

Pavojų kelia elektros smūgis! Priežiūra ir einamasis remontas, kai maitinimo kabelio kištukas įstatytas į elektros lizdą, gali tapti sunkių sužalojimų ir nudegimų priežastimi.

- ▶ Prieš pradėdami bet kokius priežiūros ir einamojo remonto darbus, maitinimo kabelio kištuką ištraukti iš elektros lizdo!

Priežiūra

- Atsargiai pašalinti pilipusius nešvarumus.
- Vėdinimo plyšius atsargiai valyti sausu šepetiu.
- Korpusą valyti tik šiek tiek sudrėkinta šluoste. Nenaudoti silikono turinčių priežiūros priemonių, nes jos gali pakenkti plastikinėms detalėms.

Einamasis remontas



ĮSPĖJIMAS

Pavojų kelia elektros smūgis! Netinkamas elektrinių komponentų remontas gali tapti sunkių sužalojimų ir nudegimų priežastimi.

- ▶ Remontuoti elektrines įrenginio dalis leidžiama tik kvalifikuotiems elektrikams.
- Reguliariai tikrinti, ar matomos dalys nėra pažeistos ir ar valdymo elementai veikia nepriklausomai.
- Pažeisto ir / arba turinčio veikimo sutrikimų prietaiso nenaudoti. Nedelsiant kreiptis į **Hilti** techninės priežiūros centrą dėl remonto.
- Baigus techninės priežiūros ir einamojo remonto darbus, sumontuoti visus apsauginius įtaisus ir patikrinti jų veikimą.



Kad eksploatacija būtų patikima, naudokite tik originalias atsargines dalis ir eksploatacines medžiagas. Mūsų aprobuotas atsargines dalis, eksploatacines medžiagas ir reikmenis savo prietaisui rasite vietinėje **Hilti Store** arba tinklalapyje www.hilti.group.

6.1 Nuo dulkių saugančio gaubtelio valymas

- ▶ Įrankio griebtuve esantį nuo dulkių saugantį gaubtelį reguliariai valykite švaria sausa šluoste.
- ▶ Sandarinimo briaunelę atsargiai nuvalykite ir vėl šiek tiek patepkite **Hilti** tirštuoju tepalu.
- ▶ Jei sandarinimo briaunelė pažeista, būtinai pakeiskite nuo dulkių saugantį gaubtelį.

7 Transportavimas ir sandėliavimas

- Elektrinio prietaiso netransportuoti su sumontuotu įrankiu.
- Elektrinį prietaisą laikyti / sandėliuoti tik su iš elektros lizdo ištrauktu maitinimo kabelio kištuku.
- Prietaisą laikyti sausoje ir vaikams bei neįgaliesiems asmenims neprieinamoje vietoje.
- Prieš naudojant po ilgesnio transportavimo arba sandėliavimo, patikrinti, ar prietaisas nėra pažeistas.

8 Pagalba sutrikus veikimui

Pasitaikius sutrikimų, kurie nėra aprašyti šioje lentelėje arba kurių negalite pašalinti patys, kreipkitės į **Hilti** techninės priežiūros centrą.



8.1 Sutrikimų paieška

Sutrikimas	Galima priežastis	Sprendimas
Prietaisas neįsijungia.	Vyksta elektroninės sistemos iniciacija (įstačius kištuką, ji trunka maždaug 4 sekundes). Dingus įtampai elektros tinkle, suaktyvin-tas elektroninis paleidimo blokato-rius.	► Prietaisą išjunkite ir vėl įjunkite.
	Nutrūko elektros energijos tieki-mas.	► Prijunkite kitą elektrinį prietaisą ir patikrinkite jo veikimą.
	Generatorius veikia budėjimo reži-mu (Sleep Mode).	► Apkraukite generatorių antruo-ju energijos vartotoju (pvz., statybinio šviestuvu). Paskui prietaisą išjunkite ir vėl įjunkite.
	Įkišamas elektros maitinimo kabelis netinkamai įstatytas į lizdą.	► Įkišamą elektros maitinimo kabelį tinkamai prijunkite prie elektrinio prietaiso.
Techninės priežiūros indikato-rius šviečia raudona spalva.	Prietaiso gedimas arba laikas vyk-dyti techninės priežiūros darbus.	► Prietaisą remontuokite tik Hilti techninės priežiūros centre.
Techninės priežiūros indikato-rius mirksi raudona spalva.	Elektros tinkle yra per didelė įtam-pa.	► Pakeiskite elektros lizdą. Patik-rinkite elektros tinklo paramet-rus.
	Apsauga nuo perkaitimo.	► Leiskite prietaisui atvėsti. Išvaly-kite vėdinimo plyšius. Prietaisą eksploatuoti tuščiaja eiga dar galima.
Prietaisas nesmūgiuoja.	Prietaisas per šaltas.	► KIRSTUVĄ padėkite ant grindų ir leiskite veikti tuščiaja eiga. Jeigu reikia, pakartokite, kol smūginis mechanizmas pradės veikti.
Prietaisas veikia ne visa galia.	Įjungta galios mažinimo funkcija.	► Paspausti galios pasirinkimo jungiklį (stebėti galios pasi-rinkimo indikatorių). Prietaisą atjungti ir vėl prijungti prie elekt-ros tinklo.
	Per ilgas ilginimo kabelis ir / arba per mažas jo laidų skerspjūvio plo-tas.	► Naudokite reikiamo ilgio ir / arba pakankamo laidų skerspjūvio ploto ilginimo kabelį.
	Elektros tinkle yra per žema įtam-pa.	► Prijunkite prietaisą prie kito maitinimo tinklo.
Kalto negalima atfiksuoti.	Įrankio griebtuvus ne iki galo pa-trauktas atgal.	► Įrankio fikساتorių patraukti atgal iki atramos ir išimti įrankį.
Darbo metu prietaisas išsijun-gia.	Apsauga nuo perkaitimo.	► Leiskite prietaisui atvėsti. Išvaly-kite vėdinimo plyšius. Prietaisą eksploatuoti tuščiaja eiga dar galima.

9 Utilizavimas

Hilti prietaisai yra pagaminti iš medžiagų, kurias galima naudoti antrą kartą. Būtina antrinio perdirbimo sąlyga yra tinkamas medžiagų išrūšiavimas. Daugelyje šalių **Hilti** priims Jūsų nebenaudojamą prietaisą perdirbti. Apie tai galite pasiteirauti artimiausiam **Hilti** techninės priežiūros centre arba savo prekybos konsultanto.



- Elektrinių įrankių, elektroninių prietaisų ir akumuliatorių neišmeskite į buitinius šiukšlynus!



Pavojingų medžiagų lentelę rasite spausdami šią nuorodą: qr.hilti.com/r9672135.

Nuorodą į RoHS lentelę rasite kaip QR kodą šios instrukcijos gale.

11 Gamintojo teikiama garantija

- ▶ Kilus klausimų dėl garantijos sąlygų, kreipkitės į vietinį **Hilti** partnerį.

Originalkasutusjuhend

1 Andmed kasutusjuhendi kohta

1.1 Käesoleva käsitemisjuhendi kohta

- **Hoiatus!** Enne toote kasutamist veenduge, et olete tootele lisatud kasutusjuhendi, sealhulgas juhised, ohutus- ja hoiatusviited, joonised ja spetsifikatsioonid, läbi lugenud ja sellest aru saanud. Tutvuge eriti kõigi juhiste, ohutus- ja hoiatusviidete, jooniste, spetsifikatsioonide ning komponentide ja funktsioonidega. Selle eiramisel esineb elektrilöögi, tulekahju ja/või raskete vigastuste oht. Hoidke kasutusjuhend koos kõigi juhiste, ohutus- ja hoiatusviidetega hilisemaks kasutamiseks alles.
- **HILTI** tooted on ette nähtud professionaalsele kasutajale ja neid tohivad käsitseda, hooldada ja korras hoida ainult volitatud ja asjaomase väljaõppega isikud. Nimetatud personal peab olema teadlik kõikidest kaasnevatest ohtudest. Seade ja sellega ühendatavad abivahendid võivad osutada ohtlikuks, kui neid ei kasutata nõuetekohaselt või kui nendega töötab vastava väljaõppeta isik.
- Lisatud kasutusjuhend vastab tehnika käesolevale tasemele trükki andmise ajal. Uusima versiooni leiote alati veebist Hilti toote leheküljelt. Järgige selleks sümboliga ⓘ tähistatud linki või QR-koodi käesolevas kasutusjuhendis.
- Andke toode teistele edasi ainult koos käesoleva kasutusjuhendiga!

1.2 Märkide selgitus

1.2.1 Hoiatused

Hoiatused annavad märku toote kasutamisel tekkivatest ohtudest. Kasutatakse järgmisi märksõnu:

OHT

OHT!

- ▶ Võimalikud ohtlikud olukorrad, mis võivad põhjustada kasutaja raskeid kehavigastusi või hukkamist.

HOIATUS

HOIATUS!

- ▶ Võimalik ohtlik olukord, mis võib põhjustada kasutaja raskeid kehavigastusi või hukkamist.




ETTEVAATUST

ETTEVAATUST!

- ▶ Võimalikud ohtlikud olukorrad, mis võivad põhjustada kehavigastusi või varalist kahju.

1.2.2 Sümbolid kasutusjuhendis

Käesolevas kasutusjuhendis kasutatakse järgmisi sümboleid:

	Järgige kasutusjuhendit
	Soovitusi seadme kasutamiseks ja muu kasulik teave
	Taaskasutatavate materjalide käsitlemine





Elektrilisi tööriistu ja akusid ei tohi visata olmejäätmete hulka

1.2.3 Joonistel kasutatud sümbolid

Joonistel kasutatakse järgmisi sümboleid.

2	Numbrid viitavad vastavatele joonistele kasutusjuhendi juhendi alguses.
3	Numbrid joonistel tähistavad tähtsaid toiminguid või toimingute jaoks tähtsaid detaile. Tekstis tõstetakse need toimingud või detailid vastava numbriga abil esile, näiteks (3) .
11	Positsiooninumbreid kasutatakse joonisel Ülevaade ja need viitavad selgituste numbritele toote ülevaates .
	See märk näitab, et toote käsitsemisel tuleb olla eriti tähelepanelik.

1.3 Sümbolid tootel

1.3.1 Sümbolid tootel

Tootel kasutatakse järgmisi sümboleid.

	Kaitseklass II (topeltisolatsioon)
--	------------------------------------

2 Ohutus

2.1 Üldised ohutusnõuded elektriliste tööriistade kasutamisel

⚠ HOIATUS! Lugege kõiki selle elektrilise tööriista juurde kuuluvaid ohutusjuhiseid, nõuandeid, jooniseid ja tehnilisi andmeid! Järgmiste juhiste eiramise tagajärg võib olla elektrilöökk, tulekahju ja/või raskeid vigastused.

Hoidke kõik ohutusnõuded ja juhised edaspidiseks kasutamiseks alles.

Ohutusjuhistes kasutatud mõiste "elektriline tööriist" käib võrgutoiteta (toitejuhtmega) elektriliste tööriistade või akutoiteta (toitejuhtmeta) elektriliste tööriistade kohta.

Ohutus töökohal

- ▶ **Hoidke oma töökoht puhas ja valgustage seda korralikult.** Korrastamata ja valgustamata töökoht võib põhjustada õnnetusi.
- ▶ **Ärge kasutage elektrilist tööriista plahvatusohtlikus keskkonnas, kus leidub tuleohtlikke vedelikke, gaase või tolmu.** Elektrilistest tööriistadest lööb sädemeid, mis võivad tolmu või auru süüdata.
- ▶ **Hoidke lapsed ja kõik teised töökohast eemal, kui kasutate elektrilist tööriista!** Kui teie tähelepanu juhitakse kõrvale, võib seade teie kontrolli alt väljuda.

Elektriohutus

- ▶ **Elektrilise tööriista pistik peab sobima pistikupessa. Pistiku juures ei tohi teha mingeid muudatusi.** Kaitsemaandusega seadmete puhul ei tohi kasutada adapterpistikuid. Muutmata pistikud ja sobivad pistikupesad vähendavad elektrilöögiohtu.
- ▶ **Vältige keha kontakti maandatud pindadega (nt toru, radiaator, pliit, külmik).** Kui teie keha on maandatud, on elektrilöögi oht suurem.
- ▶ **Kaitske elektrilist tööriista vihma ja niiskuse eest.** Kui elektrilise tööriista sisemusse satub vett, suurendab see elektrilöögiohtu.
- ▶ **Ärge kasutage ühenduskaablit elektrilise tööriista kandmiseks, riputamiseks ega pistiku stepslist väljatõmbamiseks!** Hoidke ühenduskaablit eemal kuumusest, õlidest, teravatest servadest ja liikuvatest osadest. Kahjustatud või keerdu ühenduskaablid suurendavad elektrilöögiohtu.
- ▶ **Kui töotate elektrilise tööriistaga vabas õhus, kasutage ainult selliseid pikendusjuhtmeid, mida tohib kasutada ka välitingimustes.** Välitingimustes sobiva pikendusjuhtme kasutamine vähendab elektrilöögiohtu.
- ▶ **Kui seadmega töötamine niiskes keskkonnas on vältimatu, kasutage rikkevoolu kaitselüliti.** Rikkevoolu kaitselüliti kasutamine vähendab elektrilöögiohtu.

Inimeste ohutus

- ▶ **Olge tähelepanelik, jälgige, mida teete, ja toimige elektrilise tööriistaga töötades kaalutletult.** Ärge töötage elektrilise tööriistaga, kui olete väsinud või alkoholi, narkootikumide või ravimite mõju all! Hetkeline tähelepanematus elektrilise tööriista kasutamisel võib põhjustada raskeid kehavigastusi ja varalist kahju.



- ▶ **Kandke isiklikke kaitsevahendeid ja alati kaitseprille.** Isiklike kaitsevahendite, nt tolmumaski, libisemiskindlate turvajalatsite, kaitsekiivri või kuulmiskaitsevahendite kandmine (sõltuvalt elektrilise tööriista tüübist ja kasutusalasest) vähendab vigastusohu.
- ▶ **Vältige elektrilise tööriista soovimatut käivitamist! Enne elektrilise tööriista ühendamist vooluvõrku ja/või elektrilise tööriista aku paigaldamist, tööriista ülestõstmist ja kandmist veenduge, et elektriline tööriist on välja lülitatud!** Kui hoiate elektrilise tööriista kandmisel sõrme lüliti või ühendate vooluvõrku sisselülitatud tööriista, võib juhtuda õnnetus.
- ▶ **Enne elektrilise tööriista sisselülitamist eemaldage selle küljest seade- ja mutrivõtmed.** Elektrilise tööriista pöörleva osa küljes olev seade- või mutrivõti võib põhjustada vigastusi.
- ▶ **Vältige ebatavalist töösasendit! Võtke stabiilne töösasend ja säilitage alati tasakaal.** Nii saate elektrilist tööriista ootamatutes olukordades paremini kontrollida.
- ▶ **Kandke sobivat rõivastust. Ärge kandke laiu riideid ega ehteid! Hoidke juuksed, rõivad ja kindad seadme liikuvatest osadest eemal.** Lotendavad riided, ehted ja pikad juuksed võivad sattuda seadme liikuvate osade vahele.
- ▶ **Kui elektrilise tööriista külge on võimalik paigaldada tolmueemaldus- ja kogumisseadiseid, veenduge, et need on tööriistaga ühendatud ja et neid kasutatakse nõuetekohaselt.** Tolmueemaldusseadise kasutamine võib vähendada tolmust tingitud ohte.
- ▶ **Ärge laske tekkida petlikul turvatundel ega eirake elektrilise tööriista ohutusreegleid isegi siis, kui olete pärast paljukordset kasutamist elektrilise tööriistaga harjunud.** Tähelepanematu käsitsemine võib sekundi murdosa jooksul kaasa tuua raskeid vigastusi.

Elektrilise tööriista kasutamine ja käsitsemine

- ▶ **Ärge koormake seadet üle! Kasutage konkreetseks tööks sobivat elektrilist tööriista.** See töötab ettenähtud jõudluspiirides tõhusamalt ja ohutumalt.
- ▶ **Ärge kasutage elektrilist tööriista, mille lüliti on rikkis!** Elektriline tööriist, mida ei saa enam lülitist korralikult sisse ja välja lülitada, on ohtlik ning tuleb viia parandusse.
- ▶ **Tõmmake enne seadme mis tahes seadetöid, tarvikute vahetamist ja seadme hoiuolepanekut pistik pistikupesast välja ja/või eemaldage äravõetav aku.** See ettevaatusabinõu hoiab ära seadme soovimatu käivitumise.
- ▶ **Kasutusvälisel ajal hoidke elektrilist tööriista lastele kättesaamatus kohas. Ärge laske seadet kasutada isikutel, kes seadme tööpõhimõtet ei tunne või ei ole lugenud käesolevaid kasutusjuhendeid.** Asjatundmatute isikute käes on elektrilised tööriistad ohtlikud.
- ▶ **Hooldage elektrilisi tööriista ja tarvikuid korralikult. Kontrollige, kas liikuvad osad töötavad veatult ega kiilu kiini. Veenduge, et seadme osad ei ole murdunud või kahjustatud määral, mis mõjutab seadme töökindlust. Laske kahjustatud osad enne seadme kasutamist parandada.** Ebapiisavalt hooldatud elektrilised tööriistad põhjustavad õnnetusi.
- ▶ **Hoidke lõiketarvikud teravad ja puhtad.** Hästi hooldatud, teravate lõikeservadega lõiketarvikud kiiluvad harvemini kinni ja neid on lihtsam juhtida.
- ▶ **Kasutage elektrilist tööriista, tarvikuid ja lisatarvikuid vastavalt nende juhiste. Arvestage seejuures töötingimuste ja tehtava töö iseloomuga.** Elektrilise tööriista kasutamine otstarbel, milleks see ei ole ette nähtud, võib põhjustada ohtlikke olukordi.
- ▶ **Käepidemed ja haardepinnad peavad olema kuivad, puhtad ning vabad õlist ja rasvast.** Libedad käepidemed ja haardepinnad ei võimalda elektrilist tööriista ootamatutes olukordades kindlalt käitseda ega kontrollida.

Hooldus

- ▶ **Laske elektrilist tööriista parandada ainult kvalifitseeritud spetsialistidel, kes kasutavad originaalvaruosi.** Nii on tagatud elektrilise tööriista ohutu töö.

2.2 Ohutusnõuded puurvasaratega töötamisel

Ohutusnõuded kõikide tööde puhul

- ▶ **Kandke kuulmiskaitsevahendeid.** Müra võib kahjustada kuulmist.
- ▶ **Kasutage tarnekomplekti kuuluvaid lisakäepidemeid.** Kontrolli kaotus seadme üle võib põhjustada vigastusi.
- ▶ **Kui teete töid, mille puhul võib tarvik tabada varjatud elektrijuhtmeid või omaenda toitejuhet, hoidke seadet üksnes käepidemete isoleeritud pindadest.** Kokkupuude pingestatud elektrijuhtmega võib seada pinge alla ka seadme metalldetailid ja põhjustada elektrilöögi.

2.3 Täiendavad ohutusnõuded

Inimeste turvalisus

- ▶ Kasutage toodet ainult siis, kui selle tehniline seisukord on veatu.



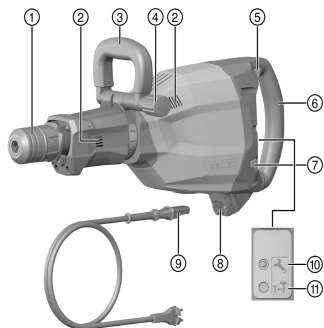
- ▶ Ärge kunagi muutke ega modifitseerige seadet.
- ▶ Kasutaja ja läheduses viibivad isikud peavad kandma seadme kasutamise ajal sobivaid kaitseprille, kaitsekiivrit, kaitsekindaid ja turvajalseteid.
- ▶ Kasutage tarviku vahetamisel kaitsekindaid, kuna tarvik kuumeneb kasutamisel.
- ▶ Läbistavate tööde korral turvake töödeldava koha taha jääv ala. Murduvad osad võivad välja ja/või alla kukkuda ning teisi inimesi vigastada.
- ▶ Veenduge, et lisakäepide on korrektselt paigaldatud ja nõuetekohaselt kinnitatud. Hoidke seadet ettenähtud käepidemetest mõlema käega. Käepidemed peavad olema kuivad, puhtad ja vabad õlist ning rasvast.
- ▶ Tehke tööpause ja liigutage sõrmi, et parandada nende verevarustust. Pikemaajaliste tööde korral võib vibratsioon tekitada probleeme sõrmede, käte ja käeligeste veresoontes ja närvisüsteemis.
- ▶ Seade ei ole mõeldud füüsiliselt nõrkadele, väljaõppeta inimestele.
- ▶ Hoidke seadet lastele kättesaamatus kohas.
- ▶ Enne töö algust tehke kindlaks töötamisel tekkiva tolmu ohuklass. Kasutage ametliku kaitseklassiga ehitustolmuimejat, mis vastab kohapeal kehtivatele tolmukaitse nõuetele.
- ▶ Võimaluse korral kasutage tolmukogurit ja mobiilset tolmuimejat. Pliiisisaldusega värvide, teatavat liiki puidu, kvartsisisaldusega betooni/müüritise/kivi, mineraalide ja metalli tolm võib kahjustada tervist.
- ▶ Tagage töökohal hea ventilatsioon ja vajaduse korral kandke tekkiva tolmu filtreerimiseks sobivat hingamisteede kaitsemaski. Kokkupuude tolmuga või tolmu sissehingamine võib põhjustada kasutajal või läheduses viibivatel isikutel allergilist reaktsiooni ja/või hingamisteede haigusi. Teatav tolm, nt tamme- või pöögitolm on kantserogeenne, seda eeskätt koosmõjus puidu töötlemise lisaainetega (kromaat, puidukaitsevahendid). Asbesti sisaldavate materjalide töötlemine on lubatud vaid asjaomase kvalifikatsiooniga isikutel.
- ▶ Kooskõlastage tööd töödejuhataja või projektjuhiga. Seinte ja teiste konstruktsioonide töötlemine võib avaldada mõju staatikale, eriti armatuurraua või kandeelementide lõikamisel.

Elektriõhusus

- ▶ Enne töö algust kontrollige tööpiirkond üle ja veenduge, et seal ei ole varjatud elektrijuhtmeid, gaasi- ega veetorusid. Seadme välised metalliosad võivad elektrijuhtme vigastamise korral tekitada elektrilöögi.
- ▶ Kontrollige regulaarselt seadme toitejuhet. Kui see on kahjustatud, laske see elektrikul välja vahetada. Kui elektritööriista toitejuhe on kahjustatud, tuleb see asendada spetsiaalselt ette valmistatud ja heakskiidetud toitejuhtmega, mis on saadaval müügiesindustes. Kontrollige regulaarselt pikendusjuhtmeid, kahjustuste korral vahetage need välja. Ärge puudutage toite- või pikendusjuhet, mis on töö ajal kahjustada saanud. Tõmmake seadme toitepistik pistikupesast välja. Kahjustatud toite- ja pikendusjuhtmed võivad tekitada elektrilöögi.
- ▶ Juhul kui kasutate seadet tihti elektrit juhtivate materjalide töötlemiseks, laske seade **Hilti** hooldekeskuses korrapäraselt üle vaadata. Seadme pinnale kinnitunud tolm või niiskus võib ebasoodsatel tingimustel põhjustada elektrilöögi, seda just hea elektrijuhtivusega materjalide puhul.
- ▶ Voolukatkestuse korral lülitage seade välja ja eemaldage vooluvõrgust. Nii hoiate vooluvarustuse taastumisel ära seadme soovimatu käivitumise.



3.1 Toote ülevaade



- ① Padrun
- ② Ventilatsiooniavad
- ③ Lisakäepide
- ④ Hoob
- ⑤ Toitelüliti
- ⑥ Käepide
- ⑦ Töörežiimilüliti
- ⑧ Elektrilise tööriista liides
- ⑨ Kodeeritud lahutatava pistikühendusega võrgujuhe
- ⑩ Hooldusnäit
- ⑪ Võimsuse indikaatorituli

3.2 Kasutusotstarve

Kirjeldatud toode on elektriline piikvasar rasketeks meiseldustöödeks.

See on ette nähtud betooni, müüritise, kivi ja asfaldi lammutus- ja mürdmistöödeks.

- ▶ Seadet võib kasutada vaid siis, kui vooluvõrgu pinge ja sagedus ühtib seadme tüübisildil märgitud võrgupinge ja sagedusega.

3.3 Võimalik väärkasutus

Toode ei ole ette nähtud tervisekahjulike materjalide töötlemiseks.

Toode ei ole ette nähtud niiskes keskkonnas töötamiseks.

3.4 Active Vibration Reduction (AVR)

Piikvasar on varustatud Active Vibration Reduction (AVR) süsteemiga, mis vähendab vibratsiooni olulisel määral.

3.5 Võimsuse indikaatorituli

Piikvasaral on võimsuse indikaatorituli, mis on varustatud valgussignaaliga.

Võimsuse lülile vajutamise saate meiseldusvõimsust vähendada ca 70%-le. Vähendatud võimsuse puhul võimsuse indikaatorituli süttib.

3.6 Hooldusnäidu olek

Piikvasaral on võimsuse indikaatorituli, mis on varustatud valgussignaaliga.



Seisund	Tähendus
Hooldusnäit põleb punase tulega.	Käes on hoolduse tähtaeg. Seade on kahjustada saanud.
Hooldusnäit vilgub punase tulega.	Ülekuumenemiskaitse. Vooluvõrgu pinge on liiga kõrge.



Toimetage seade õigeaegselt **Hilti** hooldekeskusse. Nii on seade alati töövalmis.

3.7 Tarnekomplekt

Piikvasar, lisakäepide, kasutusjuhend.

Muud süsteemitoodet leiata müügiesindusest **Hilti Store** või veebisaidilt: www.hilti.group

4 Tehnilised andmed

4.1 Piikvasar



Andmed nimipinge, nimivoolu, sageduse ja/või nimivõimsuse kohta leiata andmesildilt.

Generaatori või transformaatore kasutamisel peab selle väljundvõimsus olema vähemalt kaks korda suurem kui seadme tüübisildile märgitud nimisendvõimsus. Transformaatori või generaatori tööpinge peab olema kogu aeg vahemikus + 5% ja - 15% seadme nimipingest.

	TE 1000-AVR
Tootepõlvkond	02
Kaal EPTA-Procedure 01 kohaselt	12,5 kg
Löögienergia EPTA-Procedure 05 kohaselt	26 J

4.2 Teave müra ja vibratsiooni kohta

Käesolevas juhendis märgitud helirõhu- ja vibratsioonitase on mõõdetud standarditud mõõtemetodil ja seda saab kasutada elektriliste tööriistade omavaheliseks võrdlemiseks. See sobib ka vibratsiooni- ja mürataseme esialgseks hindamiseks.

Toodud näitajad iseloomustavad elektrilise tööriista põhilisi ettenähtud töid. Kui aga elektrilist tööriista kasutatakse muul otstarbel, teiste tarvikutega või kui tööriista on ebapiisavalt hooldatud, võivad näitajad käesolevas juhendis toodud näitajatest kõrvale kalduda. See võib vibratsiooni- ja mürataset töötamise koguperioodil tunduvalt suurendada.

Müra- ja vibratsioonitaseme täpseks hindamiseks tuleb arvesse võtta ka aega, mil elektriline tööriist oli välja lülitatud või küll sisse lülitatud, kuid tegelikult tööle rakendamata. See võib vibratsiooni- ja mürataset töötamise koguperioodil tunduvalt vähendada.

Kasutaja kaitseks müra ja/või vibratsiooni eest võtke tarvitusele täiendavaid kaitsemeetmeid, näiteks: hooldage elektrilist tööriista ja tarvikuid korralikult, hoidke käed soojad, tagage sujuv töökorraldus.



Üksikasjalikku teavet standardite **EN 62841** siin kasutatud versioonide kohta leiata vastavusdeklaratsiooni koopialt 180.

Müratase

Helivõimsustase (L_{WA})	96 dB(A)
Helivõimsustaseme mõõtemääramatus (K_{WA})	3 dB(A)
Helirõhutase (L_{pA})	88 dB(A)
Helirõhutaseme mõõtemääramatus (K_{pA})	3 dB(A)

Teave müra ja vibratsiooni kohta

Meiseldamine ($a_{h, Ched}$)	5,9 m/s ²
Mõõtemääramatus (K)	1,5 m/s ²



5 Käsitsemine

5.1 Töö ettevalmistamine

ETTEVAATUST

Vigastuste oht! Seadme soovimatu käivitumine.

- ▶ Enne seadme seadistamist ja tarvikute vahetamist tõmmake pistik pistikupesast välja.

Järgige kasutusjuhendis esitatud ja tootele märgitud ohutusnõudeid ja hoiatusi.

5.1.1 Lisakäepideme paigaldamine ja reguleerimine

ETTEVAATUST

Vigastuste oht! Piikvasara üle kontrolli kaotamine.

- ▶ Veenduge, et lisakäepide on korrektselt paigaldatud ja nõuetekohaselt kinnitatud.

- ▶ Paigaldage lisakäepide või reguleerige seda.



Järgige ka lisakäepidemele lisatud kirjeldust.

5.1.2 Ühendatav võrgujuhe

ETTEVAATUST

Vigastuste oht! põhjustatud lekkevoolust määratud kontaktide puhul.

- ▶ Ühendage lahutatav elektripistikühendus seadmega vaid siis, kui see on puhas, kuiv ja pingevaba.

- ▶ Pistikühendusega võrgujuhtme külgeühendamine/lahtiühendamine

5.1.2.1 Pistikühendusega võrgujuhtme ühendamine

ETTEVAATUST

Vigastuste oht! põhjustatud lekkevoolust määratud kontaktide puhul.

- ▶ Ühendage lahutatav elektripistikühendus seadmega vaid siis, kui see on puhas, kuiv ja pingevaba.

1. Viige kodeeritud lahutatav pistik lõpuni seadmesse, kuni lukustus kuuldavalt kohale fikseerub.



Soovitame kaabli alati seadme külge kinnitada lasta, et kaitsta tööriista/kaabli liidest tolmu ja niiskuse eest. Kaabli tohib lahti tõmmata ainult murdumise/kahjustuse korral.

2. Ühendage toitepistik pistikupesassa.

5.1.2.2 Pistikühendusega võrgujuhtme lahtiühendamine elektrilise tööriista küljest

1. Tõmmake seadme võrgupistik pistikupesast välja.
2. Vajutage lukustusnupule ja tõmmake kodeeritud eemaldatav pistik välja.
3. Eemaldage toitejuhe seadmest.

5.1.3 Tarviku paigaldamine

1. Määrige tarviku padrunisse kinnitatavat osa veidi.
2. Asetage tarvik padrunisse ja keerake seda kerge survega, kuni see kuuldavalt kohale fikseerub.
 - ▶ Seade on töövalmis.



Kasutage üksnes **Hilti** originaalmääret. Mittesobiva määre kasutamine võib seadet kahjustada.

5.1.4 Tarviku eemaldamine

HOIATUS

Vigastuste oht! Tarvik kuumeneb kasutamisel ja võib olla teravate servadega.

- ▶ Tarvikut vahetades kandke kaitsekindaid!



OHT

Tulekahju oht Kuuma tööriista kokkupuutel kergsüttivate materjalidega võib puhkeda tulekahju.

- ▶ Ärge asetage kuuma tööriista tuleohtlikele materjalidele.

1. Tõmmake padrun tagasi.
2. Eemaldage tarvik.

5.2 Töötamine

ETTEVAATUST

Vigastuste oht vale käsitemise tõttu!

- ▶ Ärge vajutage reverslülitile või funktsiooni valiku lülitile ajal, mil seade töötab.

Järgige kasutusjuhendis esitatud ja tootele märgitud ohutusnõudeid ja hoiatusi.

5.2.1 Meiseldamine



Meislit saab lukustada 6 erinevasse asendisse (60° sammuga). Nii on lapik- ja profiilmeisliatega võimalik alati töötada optimaalses tööasendis.

Liiga väike rakendatav surve põhjustab meisli hüppamist. Liiga suur rakendatav surve põhjustab meiseldusvõimsuse vähenemist.

1. Ühendage võrgupistik pistikupesasse.
2. Asetage meisel servast umbes 80-100 mm (3 1/8" - 4") kaugusele.
3. Alustage meiseldamist 70° - 80° nurga all ja suunake ots serva poole. Seejärel muutke nurka 90° suunas ja murdke materjal lahti.
 - ▶ Armatuurraua puhul juhtige meislit alati vastu materjali serva, mitte vastu armatuurrauda.
4. Keerake meislit regulaarselt, kuna ühtlane kulumine toetab iseteritusprotsessi.

5.2.2 Meiseldusvõimsuse reguleerimine

- ▶ Vajutage võimsuse lülitile.
 - ▶ Võimsuse lülitile vajutamise saate meiseldusvõimsust vähendada ca 70%-le.



Meiseldusvõimsuse reguleerimine on võimalik üksnes siis, kui seade on sisse lülitatud. Uus vajutamine võimsuse lülitile tagab taas maksimaalse meiseldusvõimsuse. Maksimaalne meiseldusvõimsus on olemas ka siis, kui seade välja lülitada ja seejärel uuesti sisse lülitada.

6 Hooldus ja korrashoid

HOIATUS

Elektrilöögi oht! Seadme hooldus- ja korrashoiutööd toitevõrku ühendatud toitepistikuga võivad põhjustada raskeid vigastusi ja põletusi.

- ▶ Tõmmake toitepistik pistikupesast välja iga kord enne hooldus- ja korrashoiutööde tegemist!

Hooldus

- Kõvasti kinni olev mustus eemaldage ettevaatlikult.
- Puhastage ventilatsiooniasjad ettevaatlikult kuiva harjaga.
- Puhastage korpust kergelt niiske lapiga. Ärge kasutage silikooni sisaldavaid hooldusvahendeid, sest need võivad kahjustada seadme plastdetalle.

Korrashoid

HOIATUS

Elektrilöögi oht! Elektridetailide asjatundmatu parandamine võib kaasa tuua raskeid vigastusi ja põletusi.

- ▶ Elektridetaile tohivad parandada ainult elektriala asjatundjad.

- Kontrollige regulaarselt nähtavate osade ja juhtelementide laitmatut töökindlust.
- Kahjustuste ja/või tõrgete korral ei tohi seadet kasutada. Laske tööriist kohe **Hilti** teeninduskeskuses parandada.



- Pärast hooldus- ja remonttöid paigaldage kõik kaitseseadised ja kontrollige nende töökorda.



Tööohutuse tagamiseks kasutage ainult originaalvaruosi ja -materjale. Teie tootega sobivad ja meie poolt heakskiidetud varuosad, materjalid ja tarvikud leiata kauplusest **Hilti Store** või veebilehelt: www.hilti.group.

6.1 Tolmukaitsekatte puhastamine

- ▶ Puhastage padruni tolmukaitsekattet regulaarselt puhta kuiva lapiga.
- ▶ Pühkige tihend ettevaatlikult puhtaks ja määrige seda kergelt **Hilti** määrdega.
- ▶ Kui tihend on kahjustatud, tuleb tolmukaitsekate välja vahetada.

7 Transport ja ladustamine

- Ärge transportige elektrilist tööriista, millesse on paigaldatud tarvik.
- Enne elektrilise tööriista hoiupeanekut tõmmake toitepistik pistikupesast välja.
- Hoidke seadet kuivas kohas, mis on lastele ja kõrvalistele isikutele ligipääsmatu.
- Pärast pikemat transporti või ladustamist kontrollige tööriista vigastuste suhtes.

8 Abi tõrgete puhul

Kui peaks esinema tõrge, mida ei ole järgmises tabelis nimetatud või mida Te ei suuda ise kõrvaldada, pöörduge **Hilti** hooldekeskusse.

8.1 Veotsing

Tõrge	Võimalik põhjus	Lahendus
Seade ei käivitu.	Käimas on elektroonika initsialiseerimine (kuni ca 4 sekundit alates pistiku ühendamisest pistikupesast). Elektrooniline käivitustõkis on pärast voolukatkestust aktiveerunud.	▶ Lülitage seade välja ja uuesti sisse.
	Vooluvarustus katkenud.	▶ Ühendage vooluvõrku mõni teine elektriseade ja kontrollige, kas see töötab.
	Generaator on ooterežiimil (Sleep Mode).	▶ Kasutage generaatorit mõne teise tarvitiga (nt ehitusplatsil kasutatav lamp). Lülitage seade välja ja uuesti sisse.
	Pistikühendusega võrgujuhe ei ole korrektselt ühendatud.	▶ Ühendage pistikühendusega võrgujuhe elektrilise tööriista külge korrektselt.
Hooldusnäit põleb punase tulega.	Seade on kahjustatud või on käes hoolduse tähtaeg.	▶ Laske seadet parandada üksnes Hilti hooldekeskuses.
Hooldusnäit vilgub punase tulega.	Vooluvõrgu pinge on liiga kõrge.	▶ Vahetage pistikupesast välja. Kontrollige võrku.
	Ülekuumenemiskaitse.	▶ Laske seadmel jahtuda. Puhastage ventilatsioonivad. Töötamine tühikäigul on veel võimalik.
Puudub lögifunktsioon.	Seade on liiga külm.	▶ Asetage piikvasar maha ja laske sellel töötada tühikäigul. Vajaduse korral korrake toimingut, kuni lögimehhanism töötab.
Seade ei tööta täisvõimsusel.	Aktiveeritud on võimsuse vähendamine.	▶ Vajutage võimsuse lülile (pöörake tähelepanu võimsuse indikaatoritulele). Lülitage seade välja ja uuesti sisse.



Tõrge	Võimalik põhjus	Lahendus
Seade ei tööta täisvõimsusel.	Pikendusjuhe on liiga pikk /või liiga väikese ristlõikega.	► Kasutage ettenähtud pikkuse ja/või piisava ristlõikega pikendusjuhet.
	Liiga madal voolupinge.	► Ühendage seade teise vooluvõrguga.
Meislit ei saa lukustusest vabastada.	Padrun ei ole täielikult tagasi tõmmatud.	► Tõmmake padrun lõpuni tagasi ja võtke tarvik välja.
Seade lülitub töötamise ajal välja.	Ülekuumenemiskaitse.	► Laske seadmel jahtuda. Puhastage ventilatsioonivad. Töötamine tühikäigul on veel võimalik.

9 Utiliseerimine

Hilti seadmed on suures osas valmistatud taaskasutatavatest materjalidest. Taaskasutuse eelduseks on materjalide korralik sorteerimine. Paljudes riikides kogub **Hilti** kasutusressursi ammendanud seadmed kokku. Lisateavet saate **Hilti** müügiesindusest.



- Ärge visake kasutusressursi ammendanud elektrilisi tööriistu, elektroonikaseadmeid ja akusid olmejäätmete hulka!

10 RoHS (Richtlinie zur Beschränkung der Verwendung gefährlicher Stoffe)

Järgmiselt lingilt leiate ohtlike ainete tabeli: qr.hilti.com/r9672135.

RoHS-tabeli juurde viiva lingi leiate käesoleva dokumendi lõpust QR-koodina.

11 Tootja garantii

- Garantiitingimusi puudutavates küsimustes pöörduge oma kohaliku **Hilti** partneri poole.

Оригінальна інструкція з експлуатації

1 Інформація щодо інструкції з експлуатації

1.1 Про цю інструкцію з експлуатації

- **Попередження!** Перед використанням продукту слід обов'язково прочитати та зрозуміти інструкцію з експлуатації, що додається, у тому числі інструкції, вказівки з техніки безпеки, попереджувальні вказівки, ілюстрації та технічні характеристики. Зокрема, ознайомтеся з усіма інструкціями, вказівками з техніки безпеки, попереджувальними вказівками, ілюстраціями, технічними характеристиками, а також інформацією щодо компонентів та функцій. Недотримання цієї вимоги може призвести до ризику ураження електричним струмом, виникнення пожежі та/або тяжких травм. Зберігайте інструкцію з експлуатації, зокрема всі інструкції, вказівки з техніки безпеки та попереджувальні вказівки, щоб можна було звернутися до них у майбутньому.
- Інструменти призначені для професійного використання, а тому їхню експлуатацію, технічне обслуговування та ремонт слід доручати лише авторизованому персоналу зі спеціального підготовки. Цей персонал повинен бути спеціально проінструктований про можливі ризики. Інструмент та допоміжне приладдя можуть стати джерелом небезпеки у разі їхнього неправильного застосування некваліфікованим персоналом або у разі використання не за призначенням.
- Інструкція з експлуатації, що додається до продукту, відповідає стану науки і техніки, актуальному на момент її друку. Більш актуальну версію інструкції з експлуатації можна знайти в інтернеті на сторінці з інформацією про продукти Hilti. Для цього перейдіть за посиланням або QR-кодом у цій інструкції з експлуатації, що позначені символом .
- У разі зміни власника передавайте продукт лише разом із цією інструкцією з експлуатації.



1.2 Пояснення символів**1.2.1 Попереджувальні вказівки**

Попереджувальні вказівки інформують користувача про фактори небезпеки, пов'язані із застосуванням інструмента. Використовуються такі сигнальні слова:

⚠ НЕБЕЗПЕКА**НЕБЕЗПЕКА !**

- ▶ Указує на безпосередню небезпеку, що може призвести до отримання тяжких тілесних ушкоджень або навіть до смерті.

⚠ ПОПЕРЕДЖЕННЯ**ПОПЕРЕДЖЕННЯ !**





- ▶ Указує на потенційно небезпечну ситуацію, яка може призвести до отримання тяжких тілесних ушкоджень або навіть смерті.

⚠ ОБЕРЕЖНО**ОБЕРЕЖНО !**

- ▶ Указує на потенційно небезпечну ситуацію, яка може призвести до отримання тілесних ушкоджень або до матеріальних збитків.


1.2.2 Символи в інструкції з експлуатації

У цій інструкції з експлуатації використовуються такі символи:

	Дотримуйтеся вказівок, наведених в інструкції з експлуатації
	Вказівки щодо експлуатації та інша корисна інформація
	Поводження з матеріалами, придатними для вторинної переробки
	Не викидайте електроінструменти і акумуляторні батареї у баки для побутового сміття

1.2.3 Символи на ілюстраціях

На ілюстраціях використовуються такі символи:

2	Цифрами позначаються відповідні ілюстрації, наведені на початку цієї інструкції з експлуатації.
3	Наведена на рисунках нумерація позначає порядок виконання важливих робочих кроків або показує важливі деталі, необхідні для виконання цих робочих кроків. У тексті ці робочі кроки або деталі виділяються відповідними цифрами, наприклад (3) .
11	Номера позицій, наведені на оглядовій ілюстрації , відповідають номерам у легенді, що представлена у розділі « Огляд продукту ».
	Цей символ позначає аспекти, на які слід звернути особливу увагу під час застосування інструмента.

1.3 Символи на інструменті**1.3.1 Символи на інструменті**

На інструменті наведені такі символи:

	Клас захисту II (подвійна ізоляція)
---	-------------------------------------



2 Безпека

2.1 Загальні вказівки з техніки безпеки при роботі з електроінструментами

⚠ ПОПЕРЕДЖЕННЯ! Уважно прочитайте усі вказівки та інструкції з техніки безпеки, ознайомтеся з малюнками та технічними даними цього електроінструмента. Щонайменше недотримання наведених нижче вказівок може призвести до ураження електричним струмом, займання та/або отримання тяжких травм.

Збережіть всі інструкції та вказівки з техніки безпеки – вони можуть знадобитися Вам у майбутньому.

Термін «електроінструмент», який використовується у вказівках з техніки безпеки, позначає як електроінструменти, що працюють від електричної мережі (із кабелем живлення), так і електроінструменти, що працюють від акумуляторної батареї (без кабелю живлення).

Безпека на робочому місці

- ▶ **Дбайте про чистоту та достатнє освітлення робочого місця.** Безлад на робочому місці та недостатнє освітлення можуть стати причиною нещасних випадків.
- ▶ **Не працюйте з електроінструментом у вибухонебезпечному середовищі, що містить легкозаймисті рідини, газу або пил.** Під час роботи електроінструментів утворюються іскри, від яких можуть зайнятися легкозаймисті випари або пил.
- ▶ **Подбайте про те, щоб під час використання електроінструмента поблизу не було дітей та сторонніх осіб.** Щонайменше відволікання може призвести до втрати контролю над інструментом.

Електрична безпека

- ▶ **Штепсельна вилка електроінструмента повинна підходити до розетки живлення. Забороняється вносити зміни до конструкції штепсельної вилки. Не дозволяється застосовувати перехідні штепсельні вилки в електроінструментах із захисним заземленням.** У разі використання оригінальних штепсельних вилок і відповідних розеток знижується ризик ураження електричним струмом.
- ▶ **Під час роботи намагайтеся не торкатися заземлених поверхонь, наприклад труб, радіаторів опалення, печей та холодильників.** Якщо Ваше тіло перебуває в контакт з системою заземлення, існує підвищений ризик ураження електричним струмом.
- ▶ **Захищайте електроінструменти від дощу та вологи.** У разі проникнення води в електроінструмент підвищується ризик ураження електричним струмом.
- ▶ **Використовуйте з'єднувальний кабель тільки за призначенням, не переносьте за нього електроінструмент, не користуйтеся ним для підвішування інструмента та не тримайтеся за нього, дістаючи штепсельну вилку з розетки.** Оберігайте з'єднувальний кабель від впливу високих температур, від дії мастил та контакту з гострими кромками або рухомими частинами інструмента. Пошкоджені або заплутані з'єднувальні кабелі підвищують ризик ураження електричним струмом.
- ▶ **Працюючи з електроінструментом під відкритим небом, використовуйте лише подовжувальний кабель, придатний для зовнішнього застосування.** Використання подовжувального кабелю, призначеного для зовнішнього застосування, зменшує ризик ураження електричним струмом.
- ▶ **Якщо неможливо уникнути експлуатації електроінструмента за умов підвищеної вологості, використовуйте автомат захисту від струму витоку.** Використання автомата захисту від струму витоку зменшує ризик ураження електричним струмом.

Безпека персоналу

- ▶ **Будьте уважними, зосередьтеся на виконуваній операції, до роботи з електроінструментом ставтеся серйозно. Не користуйтеся електроінструментом, якщо Ви втомлені або перебуваєте під дією наркотичних речовин, алкоголю або лікарських засобів.** Під час роботи з електроінструментом не відволікайтеся ні на мить, оскільки це може призвести до отримання серйозних травм.
- ▶ **Використовуйте засоби індивідуального захисту і завжди надягайте захисні окуляри.** Використання засобів індивідуального захисту, наприклад респіратору, захисного взуття на нековзній підшві, захисного шолома або шумозахисних навушників – залежно від різновиду електроінструмента та особливостей його застосування – зменшує ризик травмування.
- ▶ **Уникайте випадкового вмикання електроінструмента. Переконайтеся в тому, що електроінструмент вимкнений, перш ніж вставляти штепсельну вилку в розетку живлення та/або приєднувати акумулятор, піднімати електроінструмент або переносити його.** Якщо під час перенесення електроінструмента тримати палець на вимикачі або приєднувати інструмент до джерела живлення увімкненим, це може призвести до нещасного випадку.



- ▶ **Перш ніж вмикати електроінструмент, від'єднайте від нього все налагоджувальне приладдя або гайкові ключі.** Приладдя або ключ, що знаходяться в обертовому вузлі інструмента, можуть стати причиною отримання травм.
- ▶ **Уникайте виконання роботи в незручній позі.** Під час виконання робіт ставайте в стійку позу і намагайтеся повсякчас утримувати рівновагу. Це дозволить Вам більш упевнено контролювати електроінструмент у разі виникнення несподіваних обставин.
- ▶ **Надягайте відповідний робочий одяг.** Не надягайте для роботи занадто просторий одяг та прикраси. Слідкуйте за тим, щоб волосся, одяг та робочі рукавиці знаходилися подалі від обертових частин інструмента. Просторий одяг, прикраси або довге волосся можуть бути захоплені рухомими частинами інструмента.
- ▶ **Якщо передбачена можливість установлення системи пиловидалення та пилозбірників, обов'язково переконайтеся в тому, що вони правильно приєднані й використовуються належним чином.** Застосування системи видалення пилу дозволяє зменшити негативний вплив пилу на персонал.
- ▶ **Не можна нехтувати правилами безпеки під час роботи з електроінструментами навіть у тому випадку, коли Ви добре знайомі з тим чи іншим електроінструментом.** Якщо користуватися інструментом необережно, лише малої частки секунди може бути достатньо для отримання тяжких травм.

Використання електроінструмента та належний догляд за ним

- ▶ **Не допускайте перенавантаження інструмента.** Завжди використовуйте електроінструмент, призначений для виконання відповідної роботи. При використанні належного електроінструмента забезпечуються більш висока якість та безпека виконання робіт у вказаному діапазоні продуктивності.
- ▶ **Не використовуйте електроінструмент із пошкодженим вимикачем.** Електроінструмент, який неможливо вмикати або вимикати, є небезпечним і підлягає ремонту.
- ▶ **Перш ніж розпочинати налаштування інструмента, виконувати заміну приладдя або роботи перерву в роботі, не забудьте вийняти штепсельну вилку з розетки та/або вийняти з інструмента змінну акумуляторну батарею.** Такий запобіжний захід допоможе уникнути випадкового вмикання електроінструмента.
- ▶ **Електроінструменти, що не використовуються, зберігайте в недоступному для дітей місці. Не дозволяйте користуватися інструментом особам, які не ознайомлені з ним або не прочитали ці вказівки.** У руках недосвідчених людей електроінструменти являють собою серйозну небезпеку.
- ▶ **Електроінструменти та їх приладдя потребують дбайливого догляду. Ретельно перевіряйте, чи бездоганно працюють та чи не заклинюють рухомі частини, чи не зламалися або не зазнали інших пошкоджень деталі, від яких залежить справна робота електроінструмента. Перед початком роботи з інструментом пошкоджені деталі слід відремонтувати.** Багатьох нещасних випадків можна уникнути за умови належного технічного обслуговування електроінструментів.
- ▶ **Слідкуйте за тим, щоб ріжучі інструменти завжди залишалися чистими та належним чином заточеними.** Дбайливо доглянутий ріжучий інструмент із гострими різальними кромками не так часто заклинюється, і з ним легше працювати.
- ▶ **Під час експлуатації електроінструмента, приладдя до нього, робочих інструментів тощо дотримуйтеся наведених у цьому документі вказівок.** При цьому завжди враховуйте умови в місці виконання робіт та дії, яких вимагає поставлене завдання. Використання електроінструментів не за призначенням може призвести до виникнення небезпечних ситуацій.
- ▶ **Слідкуйте за тим, щоб поверхні рукояток були чистими та сухими, та не допускайте їхнього забруднення мастилом.** Якщо поверхні рукояток слизькі, це унеможливіло впевнене контролювання електроінструмента у непередбачених ситуаціях.

Сервісне обслуговування

- ▶ **Доручайте ремонт електроінструмента лише кваліфікованому персоналу зі спеціальною підготовкою за умови використання тільки оригінальних запасних частин.** Це забезпечить функціональність електроінструмента.

2.2 Вказівки з техніки безпеки стосовно роботи з перфоратором

Указівки з техніки безпеки для виконання усіх типів робіт

- ▶ **Використовуйте захисні навушники.** Тривалий вплив шуму може призвести до втрати слуху.
- ▶ **Використовуйте додаткові рукоятки, що входять до комплекту постачання інструмента.** Адже втрата контролю над інструментом може стати причиною травмування.
- ▶ **Якщо під час виконання робіт змінний робочий інструмент може натрапити на приховану електропроводку або кабель живлення, утримуйте інструмент за ізольовані поверхні рукояток.**



У разі контакту з електричним дротом, який знаходиться під напругою, металеві деталі інструмента також потраплять під напругу, а це може призвести до ураження електричним струмом.

2.3 Додаткові вказівки з техніки безпеки

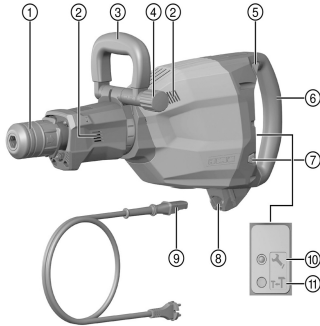
Безпека персоналу

- ▶ Користуйтеся лише повністю справним інструментом.
- ▶ Вносити будь-які зміни до конструкції інструмента заборонено.
- ▶ Як сам працівник, так й інші люди поблизу місця проведення робіт під час застосування виробу повинні користуватися відповідними захисними окулярами, касками та носити захисні рукавиці й захисне взуття.
- ▶ Заміну робочих інструментів виконуйте в захисних рукавицях, тому що під час роботи вони сильно нагріваються.
- ▶ Під час наскрізної обробки укріпіть відповідну ділянку поверхні з протилежного боку. Осколки можуть розлітатися у різні боки та/або вниз і травмувати інших людей.
- ▶ Переконайтеся в тому, що бокова рукоятка правильно змонтована і належним чином закріплена. Завжди міцно тримайте інструмент обома руками за передбачені для цього рукоятки. Слідкуйте за тим, щоб рукоятки були чистими та сухими, та не допускайте їхнього забруднення мастилом.
- ▶ Працюйте з перервами та виконуйте вправи на розминання пальців, щоб покращити кровообіг у них. Під час довготривалих робіт вібрація може пошкодити судини або нерви у пальцях, руках або зап'ясткових суглобах.
- ▶ Використання інструмента вимагає певної фізичної сили. Крім того, інструмент не призначений для використання особами, які не пройшли належний інструктаж.
- ▶ Зберігайте інструмент у недоступному для дітей місці.
- ▶ Перш ніж розпочинати роботу, з'ясуйте клас небезпеки пилу, що при цьому буде утворюватися. Використовуйте будівельний пилосос затвердженого класу захисту, що відповідає місцевим вимогам щодо захисту від пилу.
- ▶ За можливості використовуйте систему видалення пилу та відповідний пересувний пилосос. Пил, що містить такі матеріали, як фарби із вмістом свинцю, тирсу деяких порід деревини, бетон, цеглу, кварцові гірські породи і мінерали, а також метал, може бути шкідливим для здоров'я.
- ▶ Подбайте про належну вентиляцію робочого місця та користуйтеся респіратором, який підходить до матеріалу, що обробляється. У разі контакту з таким пилом або при його вдиханні у користувача електроінструмента та у людей, що знаходяться поблизу, можуть виникнути алергійні реакції та/або захворювання дихальних шляхів. Деякі різновиди пилу, наприклад деревини дуба і бука, вважаються канцерогенними, особливо у поєднанні з речовинами для обробки деревини (хроматом, засобами для захисту деревини). До обробки матеріалів, що містять азбест, допускаються лише фахівці зі спеціальною підготовкою.
- ▶ На виконання робіт обов'язково отримайте дозвіл будівельного управління. Під час виконання робіт у будівлях та інших спорудах може бути порушена їх статика, зокрема, при порушенні цілісності арматури або несучих елементів.

Електрична безпека

- ▶ Перед початком роботи перевіряйте робоче місце на наявність прихованих електричних кабелів, газових та водопровідних труб. Якщо Ви під час роботи випадково пошкодите електричні кабелі, контакт з відкритими металевими деталями інструмента може спричинити ураження електричним струмом.
- ▶ Регулярно перевіряйте з'єднувальний кабель інструмента і в разі його пошкодження забезпечте його заміну фахівцем-електриком. Якщо з'єднувальний кабель електроінструмента зазнав пошкоджень, його необхідно замінити на спеціально налагоджений і затверджений з'єднувальний кабель, який можна замовити у службі сервісного обслуговування. Регулярно перевіряйте стан подовжувальних кабелів і замінійте їх у разі пошкодження. Якщо під час роботи було пошкоджено кабель живлення або подовжувальний кабель, до них заборонено навіть торкатися. Вийміть з розетки штепсельну вилку кабелю живлення. Пошкоджені дроти живлення та подовжувальні кабелі становлять серйозну небезпеку ураження електричним струмом.
- ▶ У разі частішої обробки електропровідних матеріалів регулярно здавайте забруднені електроінструменти на перевірку до сервісної служби компанії **Hilti**. Якщо на поверхні інструмента накопичується волога або пил, особливо від струмопровідних матеріалів, це може за несприятливих умов призвести до ураження електричним струмом.
- ▶ У разі перебою в електроживленні вимкніть інструмент і вийміть його штепсельну вилку з розетки. Це допоможе уникнути випадкового увімкнення інструмента після відновлення живлення в електромережі.



3.1 **Огляд продукту**


- ① Затискний патрон
- ② Вентиляційні прорізи
- ③ Бокова рукоятка
- ④ Ручка-фіксатор
- ⑤ Вимикач
- ⑥ Рукоятка
- ⑦ Перемикач потужності
- ⑧ Роз'єм на електроінструменті
- ⑨ Кабель живлення із рознімним з'єднувачем спеціальної форми
- ⑩ Сервісний індикатор
- ⑪ Індикатор перемикача потужності

3.2 **Використання за призначенням**

Описаний у цьому документі інструмент являє собою електричний відбійний молоток для виконання важких довбальних робіт.

Він призначений для виконання робіт із руйнування бетону, цегляної кладки, каменю й асфальту.

- Експлуатація інструмента можлива лише за умови, що напруга і частота мережі живлення відповідають значенням, вказаним на заводській табличці.

3.3 **Можливі варіанти неналежного використання**

Цей інструмент не призначений для обробки матеріалів, що становлять небезпеку для здоров'я людини. Цей інструмент не призначений для використання у вологому середовищі.

3.4 **Active Vibration Reduction (AVR)**

Відбійний молоток оснащений системою Active Vibration Reduction (AVR), яка значно зменшує рівень вібрації.

3.5 **Індикатор перемикача потужності**

Відбійний молоток оснащений індикатором перемикача потужності зі світловим сигналом.

Натиснувши на перемикач потужності, можна зменшити потужність довбання приблизно до 70 %. При зменшеній потужності індикатор перемикача світиться.

3.6 **Стан сервісного індикатора**

Відбійний молоток оснащений сервісним індикатором зі світловим сигналом.



Стан	Значення
Сервісний індикатор горить червоним.	Інструмент потребує планового технічного обслуговування. Інструмент вийшов з ладу.
Сервісний індикатор мигає червоним.	Спрацював захист від перегрівання. Занадто висока напруга джерела електроживлення.



Своєчасно передавайте інструмент до сервісної служби компанії **Hilti**. У цьому випадку він завжди буде готовий до роботи.

3.7 Комплект постачання

Відбійний молоток, бокова рукоятка, інструкція з експлуатації.

Інше приладдя, допущене до експлуатації з Вашим інструментом, Ви можете знайти у **Hilti Store** або на веб-сайті **www.hilti.group**

4 Технічні дані

4.1 Відбійний молоток



Номінальна напруга, номінальний струм, частота та/або номінальна споживана потужність вказані на заводській таблиці інструмента, передбачені для Вашої країни.

Якщо живлення інструмента здійснюється від генератора або трансформатора, то його вихідна потужність має принаймні вдвічі перевищувати номінальну споживану потужність, вказану на заводській таблиці інструмента. Робоча напруга трансформатора або генератора повинна постійно перебувати у межах від +5 % до -15 % від номінальної напруги інструмента.

	TE 1000-AVR
Покоління виробу	02
Маса згідно з процедурою EPTA 01	12,5 кг
Енергія поодинокого удару згідно з процедурою EPTA 05	26 Дж

4.2 Дані про шум та значення вібрації

Наведені у цих рекомендаціях значення звукового тиску та вібрації були виміряні згідно з установленою процедурою вимірювання та можуть використовуватися для порівняння електроінструментів. Вони також придатні для попереднього оцінювання шумового та вібраційного навантаження.

Наведені дані обумовлюють переважні сфери застосування електроінструмента. Однак якщо Ви використовуєте його не за призначенням, застосовуєте нестандартне приладдя або неналежним чином здійснюєте догляд за інструментом, ці дані можуть відрізнитися від вказаних значень. Це може призвести до помітного збільшення шумового та вібраційного навантаження протягом усього робочого часу.

Для більш точної оцінки шумового та вібраційного навантаження необхідно враховувати також проміжки часу, протягом яких виріб залишається вимкненим або працює на холостому ході. Це може значно зменшити вібраційне та шумове навантаження протягом усього робочого часу.

Необхідно також вживати додаткових заходів безпеки з метою захисту працівників від дії шуму та/або вібрації, зокрема: проводити своєчасне технічне обслуговування електроінструмента та змінних робочих інструментів до нього, утримувати руки у теплі, належним чином організувати робочий процес.



Більш детальна інформація щодо версій стандарту **EN 62841**, які використовуються тут, наведена в копії сертифіката відповідності 181.

Рівень шуму

Рівень шумової потужності (L_{WA})	96 дБ(А)
Похибка для рівня шумової потужності (K_{WA})	3 дБ(А)



Рівень звукового тиску (L_{pA})	88 дБ(А)
Похибка для рівня звукового тиску (K_{pA})	3 дБ(А)

Дані про шум та значення вібрації

Довбання отворів ($a_{h, Creq}$)	5,9 м/с ²
Похибка (К)	1,5 м/с ²

5 Експлуатація

5.1 Підготовка до роботи

 ОБЕРЕЖНО

Ризик отримання травми! Випадкове увімкнення інструмента.

- ▶ Виймайте штепсельну вилку кабелю живлення з розетки, перш ніж задавати налаштування інструмента або замінювати приладдя.

Дотримуйтеся попереджувальних вказівок та вказівок з техніки безпеки, наведених у цьому документі та на корпусі інструмента.

5.1.1 Установлення та регулювання положення бокової рукоятки

 ОБЕРЕЖНО

Ризик отримання травм Втрата контролю над відбійним молотком.

- ▶ Переконайтеся в тому, що бокова рукоятка правильно змонтована і належним чином закріплена.
- ▶ Установіть бокову рукоятку або відрегулюйте її положення.



Також дотримуйтеся вказівок щодо використання бокової рукоятки.

5.1.2 Знімний кабель живлення

 ОБЕРЕЖНО

Ризик отримання травм внаслідок ураження струмом витоку, що утворюється через забруднення контактів.

- ▶ Рознімний з'єднувач кабелю живлення слід приєднувати до електроінструмента тільки у тому випадку, коли інструмент від'єднаний від мережі живлення та знаходиться у чистому сухому стані.
- ▶ Приєднайте/від'єднайте знімний кабель живлення.

5.1.2.1 Приєднання знімного кабелю живлення

 ОБЕРЕЖНО

Ризик отримання травм внаслідок ураження струмом витоку, що утворюється через забруднення контактів.

- ▶ Рознімний з'єднувач кабелю живлення слід приєднувати до електроінструмента тільки у тому випадку, коли інструмент від'єднаний від мережі живлення та знаходиться у чистому сухому стані.

1. Уставте рознімний з'єднувач спеціальної форми, розташований на кінці кабелю живлення, у відповідне гніздо інструмента до упору, доки він не зафіксується із чітким характерним звуком.



Рекомендується завжди залишати кабель приєднаним до інструмента, щоб захистити роз'єм під'єднання кабелю до інструмента від пилу та вологи. Кабель слід від'єднувати лише у разі несправності.

2. Уставте штепсельну вилку кабелю живлення в розетку.

5.1.2.2 Від'єднання знімного кабелю живлення від електроінструмента

1. Вийміть штепсельну вилку кабелю живлення з розетки.
2. Натисніть кнопку блокування та вийміть рознімний з'єднувач спеціальної форми, розташований на кінці кабелю живлення.



3. Вийміть кабель живлення з інструмента.

5.1.3 Установлення змінного робочого інструмента

1. Нанесіть мастило тонким шаром на хвостовик змінного робочого інструмента.
2. Уставте змінний робочий інструмент у затискний патрон та, злегка натиснувши на нього, прокрутіть його, щоб він зафіксувався із чітким характерним звуком.
 - ▶ Інструмент готовий до роботи.



Використовуйте лише оригінальне мастило виробництва компанії **Hilti**. Використання невідповідного консистентного мастила може спричинити несправність виробу.

5.1.4 Виймання змінного робочого інструмента



ПОПЕРЕДЖЕННЯ

Ризик отримання травм У процесі використання робочий інструмент нагрівається. Крім того, можна поранитися об його гострі кромки.

- ▶ Під час заміни робочого інструмента користуйтеся захисними рукавицями.



НЕБЕЗПЕКА

Небезпека пожежі Контакт гарячого робочого інструмента з легкозаймистими матеріалами становить небезпеку.

- ▶ Не кладіть на легкозаймісті матеріали змінний робочий інструмент, що сильно нагрівся під час використання.

1. Відведіть назад затискний патрон.
2. Вийміть змінний робочий інструмент.

5.2 Під час роботи



ОБЕРЕЖНО

Небезпека пошкодження обладнання внаслідок неналежного використання!

- ▶ Не натискайте на перемикач напряму обертання та/або на перемикач вибору функцій під час роботи інструмента.

Дотримуйтеся попереджувальних вказівок та вказівок з техніки безпеки, наведених у цьому документі та на корпусі інструмента.

5.2.1 Довбання отворів



Зубило може бути виставлене в 6 різних позиціях (через кожні 60°). Це надає можливість працювати плоскими та фасонними зубилами в оптимальному для кожного їх різновиду робочому положенні.

Якщо сила притискування недостатня, зубило відскакуватиме від оброблюваної поверхні. У разі надмірної сили притискування зменшуватиметься потужність довбання.

1. Уставте штепсельну вилку кабелю живлення в розетку.
2. Розташуйте зубило на відстані приблизно 80–100 мм (3¼"–4") від кромки оброблюваної поверхні.
3. Довбати починайте під кутом 70–80° до поверхні бетону, направляючи лезо зубила у бік кромки плити. Після цього збільшуйте кут нахилу зубила до 90° і відламуєте матеріал.
 - ▶ Якщо Ви обробляєте залізобетон, завжди направляйте зубило в бік кромки плити, а не в бік арматурних стрижнів.
4. Регулярно повертайте зубило, оскільки рівномірне зношування сприяє його самозаточуванню.



5.2.2 Регулювання потужності довбання

- ▶ Натисніть на перемикач потужності.
 - ▶ Натиснувши на перемикач потужності, можна зменшити потужність довбання приблизно до 70 %.



Регулювання потужності довбання можливе тільки у тому випадку, коли інструмент увімкнений. Якщо натиснути на перемикач потужності ще раз, то інструмент знову перейде до повної потужності довбання. Якщо вимкнути інструмент, а потім увімкнути його знову, потужність довбання буде встановлена на максимальне значення.

6 Догляд і технічне обслуговування



ПОПЕРЕДЖЕННЯ

Небезпека ураження електричним струмом! Здійснення догляду та технічного обслуговування інструмента, що підключений до мережі живлення, може призвести до тяжких травм та опіків.

- ▶ Завжди діставайте штекер кабелю живлення з розетки, перш ніж розпочинати роботи з догляду та технічного обслуговування!

Догляд

- Обережно видаляйте накопичення бруду.
- Обережно прочищайте вентиляційні прорізи сухою щіткою.
- Протирайте корпус вологою тканиною. Забороняється використовувати миючі засоби, що містять силікон, оскільки вони можуть пошкодити пластмасові деталі.

Технічне обслуговування



ПОПЕРЕДЖЕННЯ

Небезпека ураження електричним струмом! Проведення неавторизованого ремонту електричних частин інструмента може призвести до отримання тяжких травм та опіків.

- ▶ До ремонту електричної частини інструмента залучайте лише фахівця-електрика.
- Регулярно перевіряйте усі зовнішні частини на наявність пошкоджень, а органи керування інструмента – на предмет справної роботи.
- Якщо Ви виявили пошкодження та/або порушення функціональності інструмента, припиніть його використання. негайно зверніться до сервісної служби компанії **Hilti** для здійснення ремонту.
- Після проведення догляду і технічного обслуговування встановіть усі захисні пристрої та перевірте їхню роботу.



Щоб гарантувати належну роботу інструмента, використовуйте тільки оригінальні запасні частини та видаткові матеріали. Рекомендовані запасні частини, видаткові матеріали та приладдя для Вашого інструмента Ви можете придбати у найближчому магазині **Hilti Store** або на веб-сайті www.hilti.group.

6.1 Чищення пилозахисного ковпака

- ▶ Регулярно протирайте пилозахисний ковпак затискного патрона для робочого інструмента чистою сухою тканиною.
- ▶ Обережно протирайте робочу кромку ущільнення і злегка змащуйте її консистентним мастилом **Hilti**.
- ▶ Обов'язково замініть пилозахисний ковпак, якщо робоча кромка ущільнення пошкоджена.

7 Транспортування та зберігання

- Забороняється транспортувати цей електроінструмент з установленим змінним робочим інструментом.
- На час зберігання електроінструмента слід завжди виймати штепсельну вилку із розетки.
- Зберігайте інструмент у сухому місці, недоступному для дітей та сторонніх осіб.
- Перш ніж використовувати інструмент після довготривалого зберігання або дальніх перевезень, його слід перевірити на наявність пошкоджень.



8 Допомога у разі виникнення несправностей

У разі виникнення несправностей, які не зазначені у цій таблиці або які Ви не можете полагодити самостійно, зверніться до сервісної служби компанії **Hilti**.

8.1 Пошук і усунення несправностей

Несправність	Можлива причина	Рішення
Інструмент не вмикається.	Триває ініціалізація електронного блоку (продовжується до 4 секунд після приєднання штекера). Електронна система блокування повторного вмикання інструмента після збою в електромережі живлення активована.	▶ Вимкніть інструмент, а потім увімкніть його знову.
	Збій в мережі електроживлення.	▶ Приєднайте інший інструмент до мережі живлення та перевірте його функціональність.
	Генератор знаходиться у режимі сну.	▶ Збільште навантаження на генератор, підключивши до нього ще один пристрій (наприклад, освітлювальну лампу для будівельного майданчика). Вимкніть інструмент, а потім увімкніть його знову.
	Знімний кабель живлення підключений неналежним чином.	▶ Належним чином підключіть до електроінструмента знімний кабель живлення.
Сервісний індикатор горить червоним.	Інструмент пошкоджений або потребує планового технічного обслуговування.	▶ Ремонт інструмента повинен здійснюватися тільки у сервісній службі компанії Hilti .
Сервісний індикатор мигає червоним.	Занадто висока напруга джерела електроживлення.	▶ Скористайтеся іншою розеткою. Перевірте стан мережі живлення.
	Спрацював захист від перегрівання.	▶ Дайте інструменту охолонути. Прочистьте вентиляційні прорізи. Робота на холостому ходу ще можлива.
Відсутній удар.	Інструмент занадто холодний.	▶ Установіть відбійний молоток на робочу поверхню та дайте йому попрацювати на холостому ходу. За необхідності повторіть операцію, доки ударний механізм не почне працювати.
Інструмент працює не на повну потужність.	Зниження потужності активовано.	▶ Скористайтеся перемикачем потужності (див. індикатор перемикача потужності). Вимкніть інструмент, а потім знову увімкніть його.
	Подовжувальний кабель занадто довгий та / або має занадто малий поперечний переріз.	▶ Використовуйте подовжувальний кабель належної довжини та / або з достатнім поперечним перерізом.
	Занадто низька напруга джерела електроживлення.	▶ Підключіть інструмент до іншого джерела живлення.
Зубило неможливо дістати з фіксатора.	Затиснений патрон неповністю відведено назад.	▶ Відведіть фіксатор змінного робочого інструмента назад до упору і вийміть робочий інструмент.



Несправність	Можлива причина	Рішення
Інструмент вимикається під час використання.	Спрацював захист від перегрівання.	▶ Дайте інструменту охолонути. Прочистьте вентиляційні прорізи. Робота на холостому ходу ще можлива.

9 Утилізація

Більшість матеріалів, з яких виготовлено інструменти компанії **Hilti**, придатні для вторинної переробки. Передумовою для їхньої вторинної переробки є належне сортування відходів за типом матеріалу. У багатьох країнах світу компанія **Hilti** приймає старі інструменти для їхньої утилізації. Щоб отримати додаткову інформацію з цього питання, звертайтеся до сервісної служби компанії **Hilti** або до свого торгового консультанта.



- ▶ Не викидайте електроінструменти, електронні пристрої та акумуляторні батареї у баки для побутового сміття!

10 RoHS (Richtlinie zur Beschränkung der Verwendung gefährlicher Stoffe)

Щоб переглянути таблицю з інформацією про небезпечні речовини, будь ласка, перейдіть за наступним посиланням: qr.hilti.com/r9672135.

Посилання на таблицю з інформацією про речовини, включені до директиви RoHS, наведено наприкінці цього документа у вигляді QR-коду.

11 Гарантійні зобов'язання виробника

- ▶ З питань гарантії, будь ласка, звертайтеся до найближчого партнера компанії **Hilti**.

Түпнұсқа пайдалану бойынша нұсқаулық

1 Пайдалану бойынша нұсқаулық туралы мәліметтер

1.1 Осы пайдалану бойынша нұсқаулық туралы



Импорттауыш және өндірушінің өкілетті ұйымы

- (RU) Ресей Федерациясы
"Хилти Дистрибьюшн ЛТД" АҚ, 141402, Мәскеу облысы, Химки қ., Ленинградская к-сі, 25-бет, 15.26-құрылымы
- (BY) Беларусь Республикасы
"Хилти БиУай" ЖШС, 222750, Минск облысы, Дзержин ауданы, Р-1, 18 км, 2 (Слободка ауылының жанында), 1-34 құрылымы
- (KZ) Қазақстан Республикасы
"Хилти Қазақстан" ЖШС, 050057, Алматы қ., Бостандық ауданы, Тимирязев к-сі, 42/15 үй, литер 012 (15 корпус)
- (KG) Қырғыз Республикасы
"Т AND Т" ЖШҚ, 720021, Қырғызстан, Бішкек қ., Ибраимов көш., 29 А үйі
- (AM) Армения Республикасы
"ЭЙЧ-КОН" ЖШҚ, 0070, Ереван қ., Ерманда Кочар к-сі, 19/28

Өндірілген елі: жабдықтағы белгілеу тақтайшасын қараңыз.

Өндірілген күні: жабдықтағы белгілеу тақтайшасын қараңыз.

Тиісті сертификатты мына мекенжай бойынша табуға болады: www.hilti.ru

Сақтау, тасымалдау және пайдалану шарттарына пайдалану бойынша нұсқаулықта белгіленгеннен басқа арнайы талаптар қойылмайды.

Өнімнің қызмет ету мерзімі 5 жыл.



- Ескерту! Өнімді пайдаланбас бұрын өніммен бірге берілген пайдалану бойынша нұсқаулықты, соның ішінде нұсқаулар, қауіпсіздік және ескерту нұсқаулары, суреттер мен спецификацияларды міндетті түрде оқып шығыңыз және түсініп алыңыз. Барлық нұсқаулар, қауіпсіздік және ескерту нұсқаулары, суреттер, спецификациялар, сондай-ақ құрамдас бөлшектер және функциялармен танысып шығыңыз. Бұл нұсқау орындалмаған жағдайда, ток соғу, өрт және/немесе ауыр жарақат алу қаупі туындайды. Пайдалану бойынша нұсқаулықты, соның ішінде барлық нұсқауларды, қауіпсіздік және ескерту нұсқауларын кейін пайдалану үшін сақтап қойыңыз.
- өнімдері кәсіби пайдаланушыларға арналған және оларды тек қана өкілетті, білікті қызметкерлер пайдалануы, күтім және техникалық қызмет көрсетуі тиіс. Қызметкерлер қауіпсіздік техникасы бойынша арнайы нұсқау алуы керек. Өнім мен оның қосалқы құралдарын басқа мақсатта қолдану немесе олардың оқытылмаған қызметкерлердің тарапынан пайдаланылуы қауіпті.
- Берілген пайдалану бойынша нұсқаулық басып шығарылған мезетте техниканың ағымдағы жағдайына сәйкес келеді. Ағымдағы нұсқау әрдайым Hilti өнімдерінің веб-сайтында қолжетімді. Ол үшін осы пайдалану бойынша нұсқаулықтағы деп белгіленген сілтемеге өтіңіз немесе QR кодын сканерлеңіз.
- Өнімді басқа тұлғаларға тек осы пайдалану бойынша нұсқаулықпен бірге беріңіз.

1.2 Шартты белгілердің анықтамасы

1.2.1 Ескерту

Ескертулер өнімді қолдану барысындағы қауіптер туралы ескертеді. Төмендегі сигналдық сөздер пайдаланылады:

ҚАУІПТІ

ҚАУІПТІ !

- ▶ Ауыр жарақаттарға әкелетін немесе өмірге қауіп төндіретін тікелей қауіпті жағдайдың жалпы белгіленуі.

ЕСКЕРТУ

ЕСКЕРТУ !

- ▶ Ауыр жарақаттарға әкелуі немесе өмірге қауіп төндіруі мүмкін ықтимал қауіпті жағдайдың жалпы белгіленуі.

АБАЙЛАҢЫЗ

АБАЙЛАҢЫЗ !

- ▶ Жарақат алуға немесе мүліктің зақымдалуына әкелуі мүмкін ықтимал қауіпті жағдайдың жалпы белгіленуі.

1.2.2 Пайдалану бойынша нұсқаулықтағы белгілер

Бұл пайдалану бойынша нұсқаулықта төмендегі белгілер пайдаланылады:

	Пайдалану бойынша нұсқаулықты ұстану
	Аспапты пайдалану бойынша нұсқаулар және басқа пайдалы ақпарат
	Қайта пайдалануға болатын материалдармен жұмыс істеу
	Электр аспаптарды және аккумуляторларды тұрмыстық қоқысқа тастамаңыз

1.2.3 Суреттердегі белгілер

Суреттерде төмендегі белгілер қолданылады:

	Бұл сандар осы пайдалану бойынша нұсқаулықтың басындағы тиісті суретке сәйкес келеді.
3	Суреттердегі нөмірлер маңызды жұмыс кезеңдерін немесе жұмыс кезеңдері үшін маңызды құрамдас бөлшектерді көрсетеді. Мәтінде бұл жұмыс кезеңдері немесе құрамдас бөлшектерді сәйкес сандармен ерекшеленеді, мысалы, (3).



11	Позиция нөмірлері Шолу суретінде қолданылады және Өнімге шолу мақаласындағы шартты белгілердің нөмірлеріне сілтейді.
	Аталмыш белгілер өнімді қолдану барысында айрықша назарыңызды аудартады.

1.3 Өнімдегі белгілер

1.3.1 Өнімдегі белгілер

Өнімде төмендегі белгілер пайдаланылады:

	II қорғау класы (қос изоляция)
--	--------------------------------

2 Қауіпсіздік

2.1 Электр құралдары үшін қауіпсіздік техникасы бойынша жалпы нұсқаулар

⚠ ЕСКЕРТУ Бұл электр құралына арналған барлық қауіпсіздік нұсқауларын, нұсқауларды, суреттерді және техникалық деректерді оқып шығыңыз. Төменде берілген нұсқауларды орындамау электр тогының соғуына, өртке әкелуі мүмкін және/немесе ауыр жарақаттарды тудыруы мүмкін.

Қауіпсіздік техникасы бойынша барлық нұсқауларды және нұсқауларды келесі пайдаланушы үшін сақтаңыз.

Қауіпсіздік нұсқауларында қолданылатын «электр құралы» термині электр желісінен (желілік кабельмен) және аккумулятордан (желілік кабельсіз) жұмыс істейтін электр құралын білдіреді.

Жұмыс орны

- ▶ **Жұмыс орнындағы тазалықты және тәртіпті қадағалаңыз.** Жұмыс орнындағы ретсіздік және нашар жарық сәтсіз жағдайларға әкелуі мүмкін.
- ▶ **Жанғыш сұйықтықтар, газдар немесе шаң бар жарылыс қаупі бар аймақта электр құралын қолданбаңыз.** Жұмыс кезінде электр құралдары ұшқындар шығады және ұшқындар шаңды немесе буларды тұтандыруы мүмкін.
- ▶ **Балалардың және бөгде адамдардың жұмыс істеп тұрған электр құралына жақындауына рұқсат етпеңіз.** Жұмысқа көңіл бөлмегенде, электр құралын бақылау жоғалуы мүмкін.

Электр қауіпсіздігі

- ▶ **Электр құралдың байланыс ашасы электр желісінің розеткасына сай болуы керек. Айырдың конструкциясын өзгертпеңіз. Қорғауыш жерге қосуы бар электр құралдарымен бірге өтпелі айырларды қолданбаңыз.** Түпнұсқа айырлар және оларға сай розеткалар электр тогының соғу қаупін азайтады.
- ▶ **Жерге қосылған беттерге, мысалы, құбырларға, жылыту құралдарына, пештерге (плиталарға) және тоңазытқыштарға тікелей тиюді болдырмаңыз.** Жерге қосылған заттарға тигенде электр тогының соғуының үлкен қаупі туындайды.
- ▶ **Электр құралдарды жаңбырдан немесе ылғал әсерінен сақтаңыз.** Электр құралға су тиюі нәтижесінде электр тогының соғу қаупі артады.
- ▶ **Байланыс сымын басқа мақсатта қолданбаңыз, мысалы, электр құралды тасымалдау, оны іліп қою немесе электр желісінің розеткасынан айырды шығару үшін.** Байланыс сымын жылу, май, өткір жиектер немесе жылжымалы бөліктерден алшақ ұстаңыз. Байланыс сымының зақымдалуы немесе қабаттасуы нәтижесінде электр тогының соғу қаупі артады.
- ▶ **Егер жұмыстар ашық ауада орындалса, тек бөлмелерден тыс қолдануға рұқсат етілген ұзартқыш сымдарды пайдаланыңыз.** Бөлмелерден тыс қолдануға жарамды ұзартқыш сымды пайдалану электр тогының соғу қаупін азайтады.
- ▶ **Егер электр құралмен ылғалдылық жағдайларында жұмыс істеуді болдырмау мүмкін емес болса, шығып кететін токтан қорғау автоматын қолданыңыз.** Шығып кететін токтан қорғау автоматын қолдану электр тогының соғу қаупін азайтады.

Адамдардың қауіпсіздігі

- ▶ **Ұқыпты болыңыз, әрекеттеріңізге көңіл бөліңіз және электр құралымен жұмыс істеуге дұрыс қараңыз.** Шаршаған кезде немесе есірткі, алкоголь не дәрі қабылдаған соң электр құралын қолданбаңыз. Электр құралын қолданған кездегі зейінсіздік ауыр жарақаттарға апарып соғуы мүмкін.
- ▶ **Жеке қорғану құралдарын пайдаланыңыз және әрқашан міндетті түрде қорғауыш көзілдірікті киіңіз.** Электр құралының түріне және пайдалану жағдайларына байланысты жеке қорғану құрал-



дарын, мысалы, шаңнан қорғайтын респираторды, сырғымайтын аяқ киімді, қорғауыш шлемді, естуді қорғау құралдарын қолдану жарақаттану қаупін азайтады.

- ▶ **Электр құралының кездейсоқ қосылуын болдырмаңыз.** Электр қуатына қосу және/немесе аккумуляторды қою, көтеру немесе тасымалдау алдында электр құралы өшірілгеніне көз жеткізіңіз. Электр құралын тасымалдағанда саусақтар сөндіргіште болатын немесе қосылған электр құралы желіге қосылатын жағдайлар сәтсіз жағдайларға әкелуі мүмкін.
- ▶ **Электр құралын қосу алдында реттеуші құрылғыларды және гайка кілтін алыңыз.** Электр құралының айналатын бөлігіндегі аспап немесе кілт жарақаттарға әкелуі мүмкін.
- ▶ **Жұмыс кезінде ыңғайсыз қалыптарға тұрмауға тырысыңыз.** Үнемі тұрақты күйді және тепе-теңдікті сақтаңыз. Бұл күтпеген жағдайларда электр құралын жақсырақ басқаруға мүмкіндік береді.
- ▶ **Арнайы киімді киіңіз. Өте бос киімді немесе әшекейлерді кимеңіз. Шашты, киімді және қолғапты электр құралының айналатын түйіндерінен сақтаңыз.** Бос киім, әшекейлер және ұзын шаш оларға ілінуі мүмкін.
- ▶ **Егер шаңды жинау және кетіруге арналған құрылғыларды қосу қарастырылған болса, олар қосылғанына және мақсаты бойынша қолданылып жатқанына көз жеткізіңіз.** Шаңды кетіру модулін пайдалану шаңның зиянды әсерін азайтады.
- ▶ **Өз мойныңызға қате қауіпсіздік сезімін алмаңыз және электр құралына арналған қауіпсіздік ережелерін бұзбаңыз, тіпті электр құралын жиі қолданатын тәжірибелі пайдаланушы болсаңыз.** Мұқиятсыз қолдану бірнеше секундта ауыр жарақаттануға апарып соғуы мүмкін.

Электр құралын қолдану және оған қызмет көрсету

- ▶ **Аспапқа шамадан тыс жүктеме түсуін болдырмаңыз.** Нақ осы жұмысқа арналған электр құралын қолданыңыз. Бұл ережені сақтау көрсетілген қуат диапазонында жоғарырақ жұмыс сапасын және қауіпсіздігін қамтамасыз етеді.
- ▶ **Сөндіргіші бұзылған электр құралын қолданбаңыз.** Қосу немесе өшіру қиын электр құралы қауіпті және оны жөндеу керек.
- ▶ **Электр құралын реттеуге, саймандарды ауыстыруға кірісу алдында немесе жұмыстағы үзіліс алдында розеткадан ашаны және/немесе электр құралынан алмалы-салмалы аккумуляторды шығарыңыз.** Бұл сақтық шарасы электр құралының кездейсоқ қосылуын болдырмайды.
- ▶ **Қолданылмайтын электр құралдарын балалар жетпейтін жерде сақтаңыз.** Аспаппен таныс емес немесе осы нұсқауларды оқып шықпаған адамдарға аспапты пайдалануға рұқсат бермеңіз. Электр құралдары тәжірибесі жоқ пайдаланушылардың қолында қауіпті болады.
- ▶ **Электр құралдары мен керек-жарақтарға ұқыпты қараңыз.** Айналмалы бөліктердің мүлтіксіз қызмет ететінін, олардың жүрісінің жеңілдігін, барлық бөліктердің тұтастығын және электр құралының жұмысына теріс әсер етуі мүмкін зақымдардың жоқтығын тексеріңіз. Аспаптың зақымдалған бөліктерін оны қолдану алдында жөндеуге өткізіңіз. Электр құралына техникалық қызмет көрсету ережелерін сақтамау көп сәтсіз жағдайлардың себебі болып табылады.
- ▶ **Кескіш аспаптардың үшкір және таза болуын қадағалау керек.** Жұмыс күйінде сақталатын кескіш аспаптардың сыналануы сиректеу болады, оларды басқару жеңілдеу.
- ▶ **Электр құралын, саймандарды, көмекші құрылғыларды және т.б. нұсқауларға сай пайдаланыңыз.** Бұл кезде жұмыс жағдайларын және орындалатын жұмыстың сипатын ескеріңіз. Электр құралдарын басқа мақсаттарда қолдану қауіпті жағдайларға әкелуі мүмкін.
- ▶ **Тұтқыштар мен тұтқыш беттерін таза, құрғақ, май іздерінсіз ұстаңыз.** Сырғанақ тұтқыштар мен олардың беттері белгілі бір жағдайларда электр құралының қауіпсіз қолданылуы мен басқарылуына жол бермейді.

Қызмет көрсету

- ▶ **Электр құралын жөндеуді тек түпнұсқа қосалқы бөлшектерді қолданатын білікті қызметкерлерге сеніп тапсырыңыз.** Бұл электр құралын қауіпсіз күйде сақтауды қамтамасыз етеді.

2.2 Перфораторлармен жұмыс істеу кезіндегі қауіпсіздік техникасы бойынша нұсқаулар

Барлық жұмыстарға арналған қауіпсіздік техникасы бойынша нұсқаулар

- ▶ **Қорғауыш құлаққапты киіңіз.** Шу әсерінің нәтижесінде есту қабілеті жоғалуы мүмкін.
- ▶ **Аспап жинағына кіретін қосымша тұтқыштарды қолданыңыз.** Аспапты басқаруды жоғалту жарақаттарға әкелуі мүмкін.
- ▶ **Аспаптың жасырын электр сымдарын немесе желілік кабельді зақымдау қаупі болғанда аспапты оқшауланған беттерінен ұстаңыз.** Электр сымдарына тигенде аспаптың қорғалмаған металл бөліктері кернеу астында болады. Бұл электр тогының соғуына әкелуі мүмкін.



2.3 Қауіпсіздік техникасы бойынша қосымша нұсқаулар

Адамдардың қауіпсіздігі

- ▶ Өнімді тек техникалық мінсіз күйінде қолданыңыз.
- ▶ Аспапта ешқашан бейімдеу не өзгерту жұмыстарын орындамаңыз.
- ▶ Пайдаланушы мен айналадағы адамдар аспапты пайдалану барысында арнайы қорғаныш көзілдірік, қорғаныш шлем, қорғаныш қолғап пен қорғаныш аяқ киім киіп жүруі керек.
- ▶ Жұмыс аспаптарын ауыстыру үшін қорғаушы қолғаптарды қолданыңыз, өйткені аспаптар жұмыс кезінде қатты қызады.
- ▶ Тесіп өтетін бұрғылау кезінде қауіпті аймақты қабырғаның қарама-қарсы жағынан қоршаңыз. Сыртқа шығатын және/немесе төмен түсетін сынықтар адамдарға жарақат тигізуі мүмкін.
- ▶ Бүйірлік тұтқыш дұрыс орнатылғанын және берік бекітілгенін тексеріңіз. Өрқашан аспапты екі қолмен тұтқыштарынан берік ұстаңыз. Майланған тұтқыштарды дереу тазалаңыз, олар құрғақ және таза болуы керек.
- ▶ Саусақтарыңыздың қандандыруын жақсарту үшін үзіліс жасап, жаттығулар жасаңыз. Ұзақ уақыт жұмыс істеген кезде, дірілдердің салдарынан саусақ, қол не буындардың қантамыры не жүйкесіне кері әсер тиюі мүмкін.
- ▶ Аспапты әлсіз адамдарға нұсқаусыз пайдалануға тыйым салынады.
- ▶ Аспапты балалардан алшақ ұстаңыз.
- ▶ Жұмысты бастау алдында дайындама материалы бойынша пайда болатын шаңның қауіп класын анықтаңыз. Аспаппен жұмыс істеу үшін қорғаныс дәрежесі қолданыстағы шаңнан қорғау нормаларына сай құрылыс шаңсорғышын қолданыңыз.
- ▶ Мүмкіндігінше шаңсорғыш пен арнайы жылжымалы шаң жинағышты қолданыңыз. Құрамында қорғасын бар бояулар, ағаштың кейбір түрлері, бетон/кірпіш қалауы/кварц қамтитын жыныстар және минералдар мен металл сияқты материалдардан пайда болатын шаң денсаулық үшін зиянды болуы мүмкін.
- ▶ Жұмыс орнындағы ауа алмасуды жақсарту үшін әрекет етіңіз және қажетінше тиісті шаңға арналған респираторды тағыңыз. Мұндай шаңның бөлшектерімен дем алу немесе оған тию пайдаланушыларда немесе жанындағы адамдарда аллергиялық реакциялардың және/немесе дем алу жолдары ауруларының пайда болуына әкелуі мүмкін. Кейбір шаң түрлері (мысалы, еменді немесе шамшатты өңдеу кезінде пайда болатын шаң) канцерогенді деп есептеледі, әсіресе ағашты өңдеу үшін қолданылатын қосымша материалдармен (хром қышқылының тұзы, ағашты қорғау заттары) тіркесімде. Құрамында асбест бар материалдарды тек мамандар өңдеуі керек.
- ▶ Жұмыстарды бастау алдында оларды құрылыс учаскесінің бастығымен (прораб) үйлестіріңіз. Ғимараттарды және басқа құрылыстарда тесіктерді жасау олардың беріктігін өзгертеді, әсіресе арматураны немесе ұстап тұратын құрылыстарды кескенде.

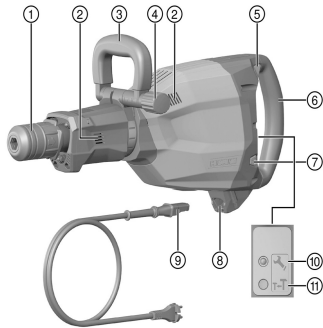
Электр қауіпсіздігі

- ▶ Жұмысты бастамас бұрын, жұмыс аймағындағы электрлік сымдар, газ бен су құбырлары жабық екендігіне көз жеткізіңіз. Ток сымна байқамастан зақым келтірген жағдайда, аспаптағы сыртта орналасқан металл бөлшектер ток соғу қаупін тудыруы мүмкін.
- ▶ Аспаптың желілік кабелін тұрақты түрде тексеріңіз және зақымдалған кабельді ауыстыру үшін тәжірибелі электрші маманды шақырыңыз. Электрлік құралдың байланыс кабелі зақымдалған жағдайда оны арнайы дайындалған және рұқсат етілген кабельге ауыстыру керек. Оған клиенттерге қызмет көрсету бөлімі арқылы тапсырыс беруге болады. Ұзартқыш кабельдерді тұрақты түрде тексеріңіз және зақымдар бар болғанда оларды ауыстырыңыз. Жұмыс кезінде желілік немесе ұзартқыш кабель зақымдалған жағдайда оған тиюге тыйым салынады. Желілік кабельді розеткадан шығарыңыз. Ақаулы электр қуаты кабельдері және ұзартқыш кабельдер электр тогының соғу қаупін тудырады.
- ▶ Ток өткізетін материалдарды жиі өндеген кезде кір аспапты **Hiti** қызмет көрсету орталығына жүйелі түрде тексертіңіз. Аспаптың үстіңгі бетіне жабысқан шаң, әсіресе ток өткізгіш материалдар немесе ылғал жағымсыз жағдайларда ток соғу қаупін тудыруы мүмкін.
- ▶ Электрмен қамтуда кідірістер болғанда, аспапты өшіріңіз және кабельді желіден ажыратыңыз. Бұл электрмен қамту қалпына келтірілгенде аспаптың өздігінен қосылуын болдырмайды.



3 Сипаттама

3.1 Өнімге шолу



- ① Құрал бекіткіші
- ② Желдету ойықтары
- ③ Бүйірлік тұтқыш
- ④ Тұтқа
- ⑤ Қосқыш/ажыратқыш
- ⑥ Тұтқыш
- ⑦ Қуат ауыстырып-қосқышы
- ⑧ Электрлік аспаптағы жалғағыш
- ⑨ Кодталған, алмалы-салмалы электрлік қосқышы бар желілік кабель
- ⑩ Қызметтік индикатор
- ⑪ Қуат индикаторы

3.2 Мақсатына сай қолдану

Сипатталған өнім ауыр қашау жұмыстарына арналған электрлік қашайтын балға болып табылады. Ол бетон, кірпіш қалау, тас және асфальт бойынша құрастыру және бөлшектеу жұмыстарын орындауға арналған.

- ▶ Аспапты тек фирмалық тақтайшада көрсетілгендей электр желісінің кернеуі болғанда пайдалануға мүмкін болады.

3.3 Ықтимал қате қолдану

Аталған өнім денсаулық үшін зиянды материалдарды өңдеуге арналмаған. Аталған өнім ылғалды ортада жұмыс істеуге арналмаған.

3.4 Active Vibration Reduction (AVR)

Қашайтын балға дірілді айтарлықтай азайтатын Active Vibration Reduction (AVR) жүйесімен жабдықталған.

3.5 Қуат индикаторы

Қашайтын балға жарық сигналы бар қуат индикаторымен жабдықталған.

Қуат ауыстырып-қосқышын басу арқылы қашау қуатын шам. 70%-ға төмендетуге болады. Қуат төмен болғанда қуат индикаторы жанады.

3.6 Қызметтік индикатор күйі

Қашайтын балға жарық сигналы бар қызметтік индикатормен жабдықталған.



Құралдың бөлшектері	Сипаттамасы
Қызметтік индикатор қызыл түспен жанып тұр.	Қызмет көрсету мерзімі шегіне жетті. Аспаптағы ақаулықтар.
Қызметтік индикатор қызыл түспен жыпылықтайды.	Қызып кетуден қорғау. Қамтудың кернеуі тым төмен.

Өнімді уақытында **Hilti** қызмет көрсету орталығына апарыңыз. Осылайша оны әрдайым жұмысқа дайын күйінде сақтап тұрасыз.

3.7 Жеткізілім жинағы

Қашайтын балға, бүйірлік тұтқыш, пайдалану бойынша нұсқаулық.

Оған қоса өніміңіз үшін рұқсат етілген жүйелік өнімдерді **Hilti Store** дүкенінде немесе мына веб-сайттан табуға болады: www.hilti.group

4 Техникалық сипаттамалар

4.1 Қашайтын балға

Номиналды кернеу, номиналды ток, жиілік және/немесе номиналды тұтынылатын қуат туралы ақпарат елге тән фирмалық тақтайшада берілген.

Генераторда немесе трансформаторда жұмыс істеген кезде, осы шығыс қуат аспаптың фирмалық тақтайшасында көрсетілген номиналды тұтынылатын қуаттан кем дегенде екі есе жоғары болуы керек. Трансформатор немесе генератордың басқару кернеуі әрдайым аспаптың номиналды тұтынылатын қуатының +5 % және -15 % аралығында болуы керек.

	TE 1000-AVR
Өнім буыны	02
ЕРТА 01 процедурасы бойынша салмағы	12,5 кг
ЕРТА 05 процедурасы бойынша жалғыз соққы энергиясы	26 Дж

4.2 Шуыл туралы ақпарат және діріл мәні

Осы нұсқауларда көрсетілген дыбыс қысымы мен діріл деңгейі стандартты өлшеу әдісімен өлшенген және оны басқа электр құралдарымен салыстыру үшін пайдалануға болады. Сонымен бірге, ол экспозицияны алдын ала бағалау үшін жарайды.

Берілген деректер электр құралының негізгі жұмысын көрсетеді. Алайда, егер электр құралы басқа мақсаттарда, басқа жұмыс аспаптарымен қолданылса немесе оған қанағаттандырмайтын техникалық қызмет көрсетілсе, деректер өзгеше болуы мүмкін. Осының салдарынан аспаптың бүкіл жұмыс істеу кезеңінде экспозиция айтарлықтай артуы мүмкін.

Экспозицияны дәл анықтау үшін электр құралы сөндірілген күй немесе бос жұмыс істейтін уақыт аралықтарын да ескеру керек. Осының салдарынан аспаптың бүкіл жұмыс істеу кезеңінде экспозиция айтарлықтай азаюы мүмкін.

Пайдаланушыны пайда болатын шуылдан және/немесе дірілден қорғау үшін қосымша сақтық шараларын қолданыңыз, мысалы: электр аспабына және жұмыс аспаптарына техникалық қызмет көрсету, қолдардың жылуын сақтау, жұмыс процестерін дұрыс ұйымдастыру.

Осы құжатта қолданылатын **EN 62841** стандарттарының нұсқалары туралы толық ақпарат сәйкестік бойынша декларацияның суретінде 181 берілген.

Шуылдың эмиссиялық көрсеткіші

Дыбыс күшінің деңгейі (L_{WA})	96 дБ(A)
Дыбыс күшінің деңгейі бойынша дәлсіздік (K_{WA})	3 дБ(A)
Эмиссиялық дыбыс қысымының деңгейі (L_{pA})	88 дБ(A)
Дыбыс қысымының деңгейі бойынша дәлсіздік (K_{pA})	3 дБ(A)



Шуыл туралы ақпарат және діріл мәні

Қашау ($a_n, \text{Чедқ}$)	5,9 м/с ²
Дәлсіздік (К)	1,5 м/с ²

5 Қызмет көрсету

5.1 Жұмысқа дайындық

АБАЙЛАҢЫЗ

Жарақат алу қаупі бар! Өнімнің кездейсоқ іске қосылуы.

- ▶ Аспап реттеулерін орындау немесе қосалқы бөлшектерді алмастыру алдында желілік ашаны тартып шығарыңыз.

Осы құжаттамадағы және өнімдегі қауіпсіздік және ескерту нұсқауларын орындаңыз.

5.1.1 Бүйірлік тұтқышты орнату және реттеу

АБАЙЛАҢЫЗ

Жарақат алу қаупі Қашайтын балға басқарудың жоғалуы.

- ▶ Бүйірлік тұтқыш дұрыс орнатылғанын және берік бекітілгенін тексеріңіз.
- ▶ Бүйірлік тұтқышты орнатыңыз немесе реттеңіз.



Бүйірлік тұтқышта орналасқан сипаттаманы да ұстаныңыз.

5.1.2 Алмалы-салмалы желілік кабель

АБАЙЛАҢЫЗ

Жарақат алу қаупі контактілер кірленген жағдайда кему тоғы арқылы.

- ▶ Ажырайтын электрлік қосқышты тек таза, құрғақ әрі тартылыссыз күйінде электрлік аспапқа жалғаңыз.
- ▶ Алмалы-салмалы желілік кабельді жалғаңыз/ажыратыңыз.

5.1.2.1 Алмалы-салмалы желілік кабельді жалғау

АБАЙЛАҢЫЗ

Жарақат алу қаупі контактілер кірленген жағдайда кему тоғы арқылы.

- ▶ Ажырайтын электрлік қосқышты тек таза, құрғақ әрі тартылыссыз күйінде электрлік аспапқа жалғаңыз.

1. Кодталған, алмалы-салмалы электрлік штепсельдік жалғағышты аспапқа шерту дыбысымен тірелгенше енгізіңіз.



Біз құрал/кабель интерфейсін шаң мен ылғалдан қорғау үшін кабельді әрдайым құрылғыға бекітуге кеңес береміз. Кабельді тек сынған/зақымдалған жағдайда суыруға болады.

2. Желілік кабель ашасын розеткаға салыңыз.

5.1.2.2 Алмалы-салмалы желілік кабельді электрлік аспаптан ажырату

1. Кабель ашасын желілік розеткадан шығарыңыз.
2. Тежегіш түймені басып, кодталған, алмалы-салмалы электрлік қосқышты ажыратыңыз.
3. Желілік кабельді аспаптан тартып шығарыңыз.

5.1.3 Алмалы-салмалы аспапты енгізу

1. Алмалы-салмалы аспап ұшын аздап майлаңыз.



2. Алмалы-салмалы аспапты құрал бекіткішіне енгізіңіз және оны шерту дыбысы естілгенше сәл басып айналдырыңыз.

- ▶ Өнім жұмысқа дайын.



Тек Hilti компаниясы ұсынған түпнұсқа жағармай қолданыңыз. Жарамсыз майды пайдалану нәтижесінде өнім зақымдалуы мүмкін.

5.1.4 Алмалы-салмалы аспапты шығару

ЕСКЕРТУ

Жарақат алу қаупі Құрал қолдану кезінде қызып кетеді және өткір жиектер көрсетуі мүмкін.

- ▶ Құралды алмастырған кезде қорғауыш қолғаптарды киіңіз.

ҚАУІПТІ

Өрт қаупі Ыстық құрал мен жеңіл жанғыш материалдар арасындағы байланыстағы қауіп.

- ▶ Ыстық құралды жеңіл жанғыш материалдардың үстіне қоймаңыз.

1. Құрал бекіткішін кері тартыңыз.
2. Құралды шығарыңыз.

5.2 Жұмыс істеу

АБАЙПАҢЫЗ

Зақымдалу қаупі. қате қолдану себебінен!

- ▶ Сөндіргішті жұмыс барысында айналу бағытын және/немесе функцияны таңдау үшін пайдаланбаңыз.

Осы құжаттамадағы және өнімдегі қауіпсіздік және ескерту нұсқауларын орындаңыз.

5.2.1 Қашау



Кескішті 6 түрлі позицияға (60° қадамға) орнатуға болады. Осының есебінен жалпақ және қалыпқа түсірілген кескіштерді қажетті жұмыс күйіне орнатуға болады.

Тым әлсіз басу кескіштің негізден ыршып кетуіне әкеледі. Тым қатты басу кескіш қуатының төмендеуін тудырады.

1. Желілік кабель ашасын розеткаға салыңыз.
2. Кескішті жиектен шамамен 80-100 мм-ге (3½" - 4") орналастырыңыз.
3. Қашау әрекетін бетон бетіне 70° - 80° бұрышпен бастап, ұшты жиекке бағыттаңыз. Содан кейін бұрышты 90° бағытпен жылжытыңыз және материалды сындырып алыңыз.
 - ▶ Арматуралық болатпен жұмыс істегенде, әрқашан кескішті арматуралық болат үстімен емес, материал жиегінің үстімен жүргізіңіз.
4. Кескішті жүйелі түрде айналдырыңыз, себебі біркелкі тозу өздігінен өткірлеу процесіне қолдау көрсетеді.

5.2.2 Қашау қуатын орнату

- ▶ Қуат ауыстырып-қосқышын басыңыз.
 - ▶ Қуат ауыстырып-қосқышын басу арқылы қашау қуатын шам. 70%-ға төмендетуге болады.



Қашау қуатын реттеу тек аспап қосулы кезде мүмкін болады. Ауыстырып-қосқышты қайтадан басу арқылы толық қашау қуатына ауыстыру орындалады. Аспапты өшіріп, қайта қосқан жағдайда, ол, сонымен бірге, толық қашау қуатына ауысады.



6 Күтім және техникалық қызмет көрсету

ЕСКЕРТУ

Ток соғу қаупі бар! Желілік аша енгізіліп тұрған кезде күтім және техникалық қызмет көрсету ауыр жарақаттарға және өртке апарып соғуы мүмкін.

- ▶ Кез келген күтім және техникалық қызмет көрсету жұмысын орындамас бұрын желілік ашаны әрдайым суырып алыңыз!

Аспапты күту

- Қатты жабысқан кірді мұқият кетіріңіз.
- Желдету ойықтарын құрғақ қылшақпен жайлап тазалаңыз.
- Корпусты тек сәл суланған шүберекпен тазалаңыз. Ешқандай силикон қамтитын күтім құралдарын пайдаланбаңыз, өйткені олар пластмасса бөлшектерін зақымдауы мүмкін.

Техникалық қызмет көрсету

ЕСКЕРТУ

Ток соғу қаупі! Электрлік құрамдас бөлшектерді қате жөндеу ауыр жарақаттану мен өртке апарып соғуы мүмкін.

- ▶ Аспаптың электр бөлігін жөндеуді тек маман-электрикке тапсырыңыз.
- Барлық көзге көрінетін бөлшектерде зақымдардың бар-жоғын және басқару элементтерінің ақаусын жұмысын жиі тексеріп тұрыңыз.
- Өнім зақымдалған және/немесе ақаулы болған жағдайда оны пайдаланушы болмаңыз. Бірден **Hilti** қызмет көрсету орталығына жөндетіңіз.
- Күтім және техникалық қызмет көрсету жұмыстарынан кейін барлық қорғауш құрылғыларды орнатып, жұмысын тексеріңіз.



Қауіпсіз қолдану үшін тек түпнұсқа қосалқы бөлшектер мен жұмсалатын материалдарды қолданыңыз. Біз рұқсат еткен қосалқы бөлшектер, шығын материалдары мен өнімге арналған керек-жарақтар **Hilti Store** дүкенінде немесе келесі веб-сайтта қолжетімді: www.hilti.group.

6.1 Шаңнан қорғайтын қапты тазалау

- ▶ Құрал бекіткішіндегі шаңнан қорғайтын қапты таза, құрғақ шүберекпен тұрақты түрде тазалаңыз.
- ▶ Тығыздағышты жайлап тазалап сүртіңіз және оған **Hilti** жағармайының аз қабатын жағыңыз.
- ▶ Тығыздағыш зақымдалған болса, шаңнан қорғайтын қапты міндетті түрде ауыстырыңыз.

7 Тасымалдау және сақтау

- Электр аспапты енгізілген құралымен бірге тасымалдамаңыз.
- Электр аспапты ерқашан ажыратылған ашасымен бірге сақтаңыз.
- Аспапты құрғақ күйінде және балалар мен рұқсаты жоқ адамдардың қолы жетпейтін жерде сақтаңыз.
- Электр аспапты ұзақ уақыт тасымалдаған не сақтаған соң, оны пайдалану алдында зақымдардың бар-жоғын тексеріңіз.

8 Ақаулықтардағы көмек

Бұл кестеде келтірілмеген немесе өзіңіз түзете алмайтын ақаулықтар орын алғанда, **Hilti** қызмет көрсету орталығына хабарласыңыз.

8.1 Ақаулықтарды жою

Ақаулық	Ықтимал себеп	Шешім
Аспап жұмыс істемейді.	Электрониканың баптандырылуы орындалуда (ашаны енгізгеннен кейін шам. 4 секундқа дейін). Электр қамтуындағы үзілістен кейін іске қосу құлпы белсендірілген.	▶ Аспапты өшіріп қайта қосыңыз.



Ақаулық	Ықтимал себеп	Шешім
Аспап жұмыс істемейді.	Электр қамтуы жоқ.	▶ Басқа электр құралын жалғап, жұмысын тексеріңіз.
	Генератор ұйқы режимінде.	▶ Генераторға екінші тұтынушы жүктеңіз (мысалы, құрылыс шамы). Сонан соң аспапты өшіріп қайта қосыңыз.
	Алмалы-салмалы желілік кабель дұрыс жалғанбаған.	▶ Алмалы-салмалы желілік кабельді электрлік аспапқа дұрыстап жалғаңыз.
Қызметтік индикатор қызыл түспен жанып тұр.	Аспапта зақымдар бар немесе қызмет көрсету мерзімі шегіне жетті.	▶ Өнімді тек Hilti қызмет көрсету орталығында ғана жөндетіңіз.
Қызметтік индикатор қызыл түспен жыпылықтайды.	Қамтудың кернеуі тым төмен.	▶ Желілік розетканы ауыстырыңыз. Желіні қайта тексеріңіз.
	Қызып кетуден қорғау.	▶ Аспапты суытыңыз. Желдету саңылауын тазалаңыз. Бос жүрісте пайдалану мүмкін емес.
Соққымен бұрғылау орындалмайды.	Аспап тым суық.	▶ Қашайтын балғаны астыңғы бетке қойып, бос жүріспен жұмыс істетіңіз. Қажет болса, соққы механизмі жұмыс істегенше әрекетті қайталаңыз.
Аспап толық қуатпен жұмыс істемейді.	Қуатты азайту құралы белсендірілді.	▶ Қуат ауыстырып-қосқышын басыңыз (қуат индикаторына қараңыз). Аспапты ажыратып қайта жалғаңыз.
	Ұзартқыш кабель тым ұзын немесе қимасы жеткіліксіз.	▶ Ұзындығы ұйғарынды және/немесе қимасы жеткілікті ұзартқыш кабельді қолданыңыз.
	Қамтудың кернеуі тым төмен.	▶ Аспапты басқа қамту көзіне қосыңыз.
Кескішті бекіткіштен босатуға болмайды.	Құрал бекіткіші толық босатылмаған.	▶ Бекіткішті артқа тірелгенше шығарыңыз және жұмыс аспабын шығарыңыз.
Аспап жұмыс барысында өшеді.	Қызып кетуден қорғау.	▶ Аспапты суытыңыз. Желдету саңылауын тазалаңыз. Бос жүрісте пайдалану мүмкін емес.

9 Көдеге жарату

Hilti аспаптары қайта өңдеу үшін жарамды көптеген материалдардың санын қамтиды. Көдеге жарату алдында материалдарды мұқият сұрыптау керек. Көптеген елдерде **Hilti** компаниясы ескі аспабыңызды қайта өңдеу үшін қайта қабылдайды. **Hilti** қызмет көрсету орталығынан немесе дилеріңізден сұраңыз.



- ▶ Электр құралдарды, электрондық құрылғылар мен аккумуляторларды тұрмыстық қоқыспен бірге тастамаңыз!

10 RoHS (Richtlinie zur Beschränkung der Verwendung gefährlicher Stoffe)

Төмендегі сілтеме бойынша зиянды заттардың кестесі келтірілген: qr.hilti.com/r9672135.

RoHS кестесінің сілтемесі осы құжаттаманың соңында QR коды ретінде берілген.



11 Өндіруші кепілдігі

- ▶ Кепілдік шарттары туралы сұрақтарыңыз болса, жергілікті Hilti серіктесіне жолығыңыз.

オリジナル取扱説明書

1 取扱説明書について

1.1 本取扱説明書について

- **警告事項！** 本製品をご使用になる前に、同梱の取扱説明書と指示事項、安全上の注意、警告表示、図および製品仕様を読んで、その内容を理解を理解してください。特に、すべての指示事項、安全上の注意、警告表示、図、製品仕様、構成部品と機能に精通しているようにしてください。これを怠ると、感電、火災、および / または重傷事故の危険があります。後日確認できるように、取扱説明書とすべての指示事項、安全上の注意、警告表示を保管しておいてください。
- **HILTI** 製品はプロ仕様で製作されており、その使用、保守、修理を行うのは、認定を受けトレーニングされた人のみに限ります。これらの人は、遭遇し得る危険に関する情報を入手していなければなりません。製品およびアクセサリーの使用法を知らない者による誤使用、あるいは規定外の使用は危険です。
- 製品に同梱されている取扱説明書は、印刷の時点で最新の技術状況を反映しています。オンラインの Hilti 製品ページで常に最新バージョンをご確認ください。これについては、本取扱説明書のリンク、または QR コード (📄 の記号) に従ってください。
- 他の人が使用する場合には、本製品とともにこの取扱説明書を一緒にお渡しください。

1.2 記号の説明

1.2.1 警告表示

警告表示は製品の取扱いにおける危険について警告するものです。以下の注意喚起語が使用されています：

危険

危険！

- ▶ この表記は、重傷あるいは死亡事故につながる危険性がある場合に注意を促すために使われます。

警告

警告！

- ▶ この表記は、重傷あるいは死亡事故につながる可能性がある場合に注意を促すために使われます。





注意

注意！

- ▶ この表記は、身体の負傷あるいは物財の損傷が発生する可能性がある場合に使われます。

1.2.2 取扱説明書の記号

この取扱説明書では、以下の記号が使用されています：

	取扱説明書に注意してください
	本製品を効率良く取り扱うための注意事項や役に立つ情報
	リサイクル可能な部品の取扱い
	電動工具およびバッテリーを一般ゴミとして廃棄してはなりません

1.2.3 図中の記号

図中では以下の記号が使用されています：

2

この数字は本取扱説明書冒頭にある該当図を示しています。



3	図中の付番は、重要な作業手順あるいは作業手順にとって重要なパーツであることを示しています。本文中ではこれらの作業手順またはパーツは、(3) のように当該の番号でハイライト表示されています。
⑪	概要図には項目番号が付されていて、製品概要セクションの凡例の番号に対応しています。
	この記号は、製品の取扱いの際に特に注意が必要なことを示しています。

1.3 製品に表示されている記号

1.3.1 製品に表示されている記号

製品には以下の記号が使用されています：

	電気絶縁保護クラス II (二重絶縁)
--	---------------------

2 安全

2.1 電動工具の一般安全注意事項

⚠ 警告事項 本電動工具に付属のすべての安全上の注意、指示事項、図、および製品仕様をお読みください。以下の指示を守らないと、感電、火災および / または重傷事故の危険があります。

安全上の注意および指示事項が書かれた説明書はすべて大切に保管してください。

安全上の注意で使用する用語「電動工具」とは、お手持ちの電動ツール(電源コード使用) またはバッテリーツール(コードレス) を指します。

作業環境に関する安全

- ▶ 作業場はきれいに保ち、十分に明るくしてください。ちらかった暗い場所での作業は事故の原因となります。
- ▶ 爆発の危険性のある環境(可燃性液体、ガスおよび粉じんのある場所) では電動工具を使用しないでください。電動工具から火花が飛散し、粉じんや揮発性ガスに引火する恐れがあります。
- ▶ 電動工具の使用時、子供や無関係者を作業場へ近づけないでください。作業中に気がそざされると、本体のコントロールを失ってしまう恐れがあります。

電気に関する安全注意事項

- ▶ 電動工具の接続プラグは電源コンセントにきちんと適合しなければなりません。プラグは絶対に変更しないでください。保護接地した電動工具と一緒にアダプタープラグを使用しないでください。オリジナルのプラグと適切なコンセントを使用することにより、感電の危険を小さくすることができます。
- ▶ パイプ、ラジエーター、電子レンジ、冷蔵庫などのアースされた面に体の一部が触れないようにしてください。体が触れると感電の危険が大きくなります。
- ▶ 電動工具を雨や湿気から保護してください。電動工具に水が浸入すると、感電の危険が大きくなります。
- ▶ 電動工具を持ち運んだり、吊り下げたり、コンセントからプラグを抜いたりするときは、必ず本体を持ち、電源コードを持ったり引っ張ったりしないでください。電源コードを火気、オイル、鋭利な刃物、可動部等に触れる場所に置かないでください。電源コードが損傷したり絡まったりしていると、感電の危険が大きくなります。
- ▶ 屋外工事の場合には、必ず屋外専用の延長コードを使用してください。屋外専用の延長コードを使用すると、感電の危険が小さくなります。
- ▶ 湿った場所で電動工具を動作させる必要がある場合は、漏電遮断器を使用してください。漏電遮断器を使用すると、感電の危険が小さくなります。

作業者に関する安全

- ▶ 電動工具を使用の際は、油断せずに十分注意し、常識をもった作業をおこなってください。疲れている場合、薬物、医薬品服用およびアルコール飲用による影響下にある場合には電動工具を使用しないでください。電動工具使用中の一瞬の不注意が重傷の原因となることがあります。
- ▶ 個人用保護具および保護メガネを常に着用してください。負傷の危険を低減するために、電動工具の使用状況に応じた粉じんマスク、耐滑性の安全靴、ヘルメット、耳栓などの個人用保護具を着用してください。
- ▶ 電動工具の意図しない始動を防止して下さい。電動工具を電源および / またはバッテリーに接続する前や本体を持ち上げたり運んだりする前に、本体がオフになっていることを必ず確認してください。オン / オフスイッチが入っている状態で電動工具のスイッチに指を掛けたまま運んだり、電源に接続したりすると、事故の原因となる恐れがあります。
- ▶ 電動工具のスイッチを入れる前に、必ず調節キーやレンチを取り外してください。調節キーやレンチが本体の回転部に装着されたままでは、けがの原因となる恐れがあります。



- ▶ 作業中は不安定な姿勢をとらないでください。足元を安定させ、常にバランスを保つようにしてください。これにより、万一電動工具が異常状況に陥った場合にも、適切な対応が可能となります。
- ▶ 作業に適した作業着を着用してください。だぶだぶの衣服や装身具を着用しないでください。髪、衣服、手袋を本体の可動部に近づけないでください。だぶだぶの衣服、装身具、長い髪が可動部に巻き込まれる恐れがあります。
- ▶ 吸じんシステムの接続が可能な場合には、これらのシステムが適切に接続、使用されていることを確認してください。吸じんシステムを利用することにより、粉じん公害を防げます。
- ▶ 電動工具の取扱いに熟練している場合にも、正しい安全対策を遵守し、電動工具に関する安全規則を無視しないでください。不注意な取扱いは、ほんの一瞬で重傷事故を招くことがあります。

電動工具の使用および取扱い

- ▶ 無理のある使用を避けてください。作業用途に適した電動工具を使用してください。適切な電動工具の使用により、能率よく、スムーズかつ安全な作業が行えます。
- ▶ スイッチが故障している場合には、電動工具を使用しないでください。スイッチで始動および停止操作のできない電動工具は危険ですので、修理が必要です。
- ▶ 本体の設定やアクセサリーの交換を行う前や本体を保管する前には電源プラグをコンセントから抜き、および / または脱着式のバッテリーを取り外してください。この安全処置により、電動工具の意図しない始動を防止することができます。
- ▶ 電動工具をご使用にならない場合には、子供の手の届かない場所に保管してください。電動工具に関する知識のない方、本説明書をお読みでない方による本体のご使用は避けてください。未経験者による電動工具の使用は危険です。
- ▶ 電動工具とアクセサリーは慎重に手入れしてください。可動部分が引っ掛かりなく正常に作動しているか、電動工具の運転に影響を及ぼす各部分が破損・損傷していないかを確認してください。電動工具をご使用になる前に、損傷部分の修理を依頼してください。事故の多くは保守管理の不十分な電動工具の使用が原因となっています。
- ▶ 先端工具は鋭利で汚れのない状態を保ってください。お手入れのゆきとどいた先端工具を使用すると、作業が簡単かつ、スムーズになります。
- ▶ 電動工具、アクセサリー、先端工具などは、それらの説明書に記載されている指示に従って使用してください。その際は、作業環境および用途についてもご注意ください。指定された用途以外に電動工具を使用すると危険な状況をまねく恐れがあります。
- ▶ グリップとグリップ面は乾燥した清潔な状態に保ち、オイルやグリスの付着がないようにしてください。グリップやグリップ面が滑りやすい状態になっていると、予期していない状況が発生した際に電動工具を安全に使用 / 制御できません。

サービス

- ▶ 電動工具の修理は必ず認定サービスセンターにお申し付けください。また、必ず純正部品を使用してください。これにより電動工具の安全性が確実に維持されます。

2.2 ハンマーに関する安全上の注意

すべての作業に関する安全上の注意

- ▶ 耳栓を着用してください。騒音により、聴覚に悪影響が出る恐れがあります。
- ▶ 本体には一緒に納品された補助ハンドルを使用してください。これ以外のハンドルを使用すると、コントロールを失ってけがをする恐れがあります。
- ▶ 隠れた電線や装置自体の電源コードに先端工具が接触する可能性のある作業を行う場合は、必ず本体の絶縁されたグリップを持ってください。通電しているケーブルと接触すると、本体の金属部分にも電圧がかかり、感電の危険があります。

2.3 その他の安全上の注意

作業に関する安全

- ▶ 本製品は、必ず技術的に問題のない状態で使用してください。
- ▶ 本体は決して加工や改造を加えないでください。
- ▶ 本体使用中、作業者および現場で直近に居合わせる人々は保護メガネ、保護ヘルメット、保護手袋、安全靴を着用しなければなりません。
- ▶ 先端工具は使用することで熱くなるので、先端工具の交換時には保護手袋を着用してください。
- ▶ 剥がし作業の場合には、作業側と反対の領域を保護してください。剥がれた部分が脱落、落下して他の人を負傷させる危険があります。
- ▶ サイドハンドルが正しく取り付けられ、しっかりと固定されていることを確認してください。本体は、常に両手でグリップを掴んでしっかりと保持してください。グリップ表面は乾燥させ、清潔に保ち、オイルやグリスで汚さないようにしてください。



- ▶ 休憩を取って、指を動かして血行を良くするように心がけてください。長時間作業の際には、振動により指、手あるいは手首の関節の血管あるいは神経系に障害が発生する可能性があります。
- ▶ 本体は、体の弱い人が指示を受けずに使用するには向いていません。
- ▶ 本体は子供の手が届かないところに保管してください。
- ▶ 作業開始前に、作業場で発生する粉じんの危険有害度を調査してください。公的に承認された保護等級および地域の粉じんに関する規定を満たした工業用集じん機を使用してください。
- ▶ できるだけ集じん装置や適切な可動集じん装置を使用してください。含鉛塗料、特定の種類の木材、コンクリート / 石材、石英を含む岩石、鉱物および金属などの母材から生じた粉じんは、健康を害する恐れがあります。
- ▶ 作業場の良好な換気に注意し、必要に応じてそれぞれの粉じんに適した防じんマスクを着用してください。作業中や近くにいる人が粉じんに触れたり吸い込んだりすると、アレルギー反応や呼吸器疾患を起す可能性があります。カシヤブナ材などの特定の粉じんは、特に木材処理用の添加剤(クロム塩酸、木材保護剤)が使用されている場合、発ガン性があるとされています。アスベストが含まれる母材は、必ず専門家が取り扱うようにしてください。
- ▶ 作業を行う際、現場監督者の許可を得て行ってください。建物およびその他の構造物への作業、特に鉄筋または鉄骨梁の除去は静力学に影響を及ぼします。

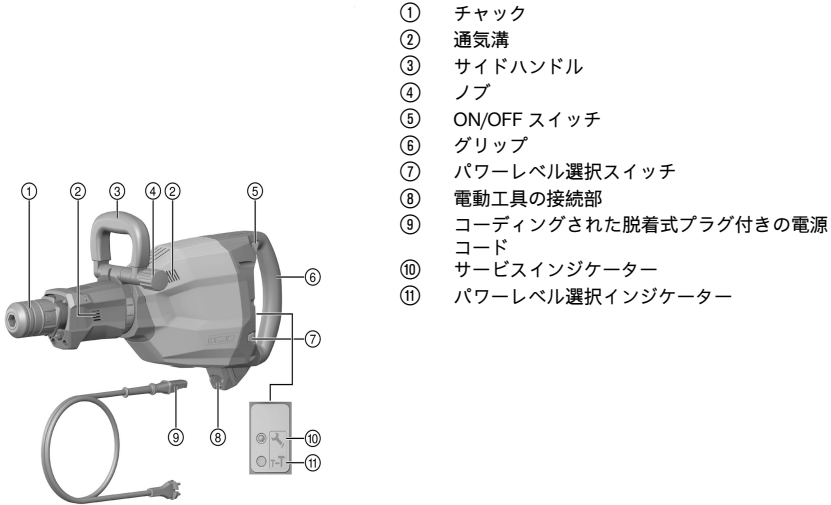
電気に関する安全注意事項

- ▶ 作業を開始する前に、作業領域に埋設された電線、ガス管や水道管がないかを調査してください。誤って電線を損傷すると、本体外側の金属部分により感電事故が発生する可能性があります。
- ▶ 本体の電源コードを定期的に点検し、コードに損傷がある場合は認定を受けた修理スペシャリストに交換を依頼してください。電動工具の電源コードが損傷した場合は、専用の承認された交換用電源コードと交換してください。交換用電源コードはヒルティサービスセンターにご注文ください。延長コードを定期的に点検し、損傷がある場合は交換してください。作業中、損傷した電源コード、延長コードには触れないでください。電源プラグをコンセントから抜きます。損傷した電源コードや延長コードは感電の原因となり危険です。
- ▶ 導電性のある母材に対する作業を頻繁に行う場合は、定期的にHilti サービスセンターに本体の点検を依頼してください。本体表面に汚れ(特に導電性の物質)が付着していたり、あるいは濡れていると、場合によっては感電の恐れがあります。
- ▶ 停電の際には、本体のスイッチを切り、電源プラグを抜いてください。これで、再び通電した時に本体が不意に始動するのを防ぐことができます。



3 製品の説明

3.1 製品概要



- ① チャック
- ② 通気溝
- ③ サイドハンドル
- ④ ノブ
- ⑤ ON/OFF スイッチ
- ⑥ グリップ
- ⑦ パワーレベル選択スイッチ
- ⑧ 電動工具の接続部
- ⑨ コーディングされた脱着式プラグ付きの電源コード
- ⑩ サービスインジケータ
- ⑪ パワーレベル選択インジケータ

3.2 正しい使用

本書で説明している製品は、重ハツリ作業用の電動ハツリ機です。
 本電動ハツリ機はコンクリート、レンガ、石材およびアスファルトのハツリ・解体作業用の工具です。
 ▶ 必ず銘板に表示されている電圧、周波数で使用してください。

3.3 考えられる誤った使用

本製品は、健康を損なう危険のある母材を作業するには適していません。
 本製品は、湿気の多い環境での作業には適していません。

3.4 Active Vibration Reduction (AVR)

電動ハツリ機は、振動を大幅に低減させるActive Vibration Reduction (AVR) システムを装備しています。

3.5 パワーレベル選択インジケータ

電動ハツリ機は、パワーレベル選択インジケータを装備しています。
 パワーレベル選択スイッチを押して、ハツリ能力を約 70 % に抑えることができます。パワーレベルが制限されているときは、パワーレベル選択インジケータが点灯します。

3.6 サービスインジケータの状態

この電動ハツリ機は、サービスインジケータを装備しています。

状態	意味
サービスインジケータが赤色で点灯する。	作動時間がサービス期限に達しています。 本体の損傷。



状態	意味
サービスインジケータが赤色で点滅する。	過熱保護が作動した。 供給電源の電圧が高すぎる。

遅滞なくHilti サービスセンターに本製品のサービス作業を依頼してください。これにより本製品は、常に使用可能な状態に維持されます。

3.7 本体標準セット構成

電動ハツリ機、サイドハンドル、取扱説明書。

ご使用の製品用に許可されたその他のシステム製品については、弊社営業担当またはHilti Store お問い合わせいただくか、あるいはwww.hilti.groupでご確認ください。

4 製品仕様

4.1 電動ハツリ機

定格電圧、定格電流、周波数および / または定格電力については、国別の銘板でご確認ください。

発電機または変圧器を使用しての作業の場合は、それらは本体の銘板に記載されている定格電力より2倍以上大きな出力がなければなりません。変圧器または発電機の作動電圧は、常に本体の定格電圧の+5%...-15%の範囲になければなりません。

	TE 1000-AVR
製品世代	02
重量(EPTA プロシージャ 01 準拠)	12.5 kg
1 回当たりの打撃力(EPTA プロシージャ 05 準拠)	26 J

4.2 騒音および振動値について

本説明書に記載されているサウンドプレッシャー値および振動値は、規格に準拠した測定方法に基づいて測定したものです。電動工具を比較するのにご使用いただけます。曝露値の暫定的な予測にも適しています。記載されているデータは、電動工具の主要な使用方法に対する値です。電動工具を他の用途で使用したり、異なる先端工具を取り付けて使用したり、手入れや保守が十分でないまま使用した場合には、データが異なることがあります。このような相違により、作業時間全体で曝露値が著しく高くなる可能性があります。曝露値を正確に予測するためには、電動工具のスイッチをオフにしている時間や、電動工具が作動していても実際には使用していない時間も考慮しなければなりません。このような相違により、作業時間全体で曝露値が著しく低くなる可能性があります。

作業者を騒音および / または振動による作用から保護するために、他にも安全対策を立ててください(例: 電動工具および先端工具の手入れや保守、手を冷やさないようにする、作業手順の編成)。

この点について適用されるEN 62841 規格のバージョンについての詳細情報は、適合宣言書の画像 181で確認してください。

騒音排出値

サウンドパワーレベル (L_{WA})	96 dB(A)
サウンドパワーレベルの不確実性 (K_{WA})	3 dB(A)
排出サウンドプレッシャーレベル (L_{pA})	88 dB(A)
サウンドプレッシャーレベルの不確実性 (K_{pA})	3 dB(A)

騒音および振動値について

ハツリ作業 ($a_{h, cheq}$)	5.9 m/s ²
不確実性 (K)	1.5 m/s ²



5 ご使用方法

5.1 作業準備

注意

負傷の危険！ 製品は意図せず作動することがあります。

- ▶ 本体の設定やアクセサリーの交換を行う前に電源プラグを抜いてください。

本書および製品に記載されている安全上の注意と警告表示に注意してください。

5.1.1 サイドハンドルを取り付ける / 調整する

注意

負傷の危険 電動ハツリ機のコントロールの喪失。

- ▶ サイドハンドルが正しく取り付けられ、しっかりと固定されていることを確認してください。

- ▶ サイドハンドルを取り付け / 調整します。



サイドハンドルに付属の説明書もご確認ください。

5.1.2 接続可能な電源コード

注意

負傷の危険 電気接点が汚れていると漏れ電流が発生して負傷の危険があります。

- ▶ 脱着式電気プラグは、必ず汚れがなく、乾燥した通電のない状態で電動工具に接続してください。

- ▶ 接続可能な電源コードを接続 / 外します。

5.1.2.1 接続可能な電源コードを接続する

注意

負傷の危険 電気接点が汚れていると漏れ電流が発生して負傷の危険があります。

- ▶ 脱着式電気プラグは、必ず汚れがなく、乾燥した通電のない状態で電動工具に接続してください。

1. コーディングされた脱着式電気プラグを本体のストップ位置まで、ロックの作動音が聞こえるまで差し込みます。



工具とコードとの接続部を粉じんや湿気から保護するために、コードは常に本体に固定したままにしておくことをお勧めします。コードは、断線 / 損傷の場合にのみ引き抜くことにしてください。

2. 電源プラグをコンセントに差し込みます。

5.1.2.2 接続可能な電源コードを電動工具から外す

1. 電源プラグをコンセントから抜きます。
2. ロックボタンを押し、コーディングされた脱着式電気プラグを引き抜きます。
3. 電源コードを本体から抜きます。

5.1.3 先端工具を装着する

1. 先端工具のコネクションエンドにグリスを軽く塗布します。
2. 先端工具をチャックに挿入し、軽く押し付けながらカチッとかみ合う音がするまで回します。
 - ▶ 製品は作動可能状態です。



必ずHiltiの純正グリスを使用してください。適切でないグリスを使用すると、製品の損傷の原因となることがあります。

5.1.4 先端工具を取り外す

警告

負傷の危険 先端工具は使用することで熱くなり、またエッジが鋭くなっている場合があります。

- ▶ 先端工具の交換時には保護手袋を着用してください。



⚠ 危険

火災の危険 熱くなっている先端工具と引火性が高い物質との接触による危険。

▶ 熱くなっている先端工具を引火性の高い物質の上に置かないでください。

1. チャックを引き戻します。
2. 先端工具を取り外します。

5.2 作業**⚠ 注意**

損傷の危険 不正な取扱い！

▶ 作動中は、回転方向および/または機能選択用スイッチを操作しないでください。

本書および製品に記載されている安全上の注意と警告表示に注意してください。

5.2.1 ハツリ作業

チゼルは6つの異なる位置に(60°ステップで)調整することができます。これによってコールドチゼルでもスケーリングチゼルでも、最適の角度で作業できます。

押し付けが小さすぎると、チゼルが跳ね返ります。押し付けが大きすぎると、ハツリ能力が低下します。

1. 電源プラグをコンセントに差し込みます。
2. チゼルを端部から約80...100 mm (3¼"...4") の位置に当てます。
3. ハツリ作業を開始する場合は、本体をコンクリート表面から70°...80°の角度に傾け、チゼル先端を母材の端に向けます。角度を90°にして、母材を除去します。
 - ▶ 鉄筋での作業の際は常にチゼルを母材の端に向かって移動させ、鉄筋の方向へは向けないでください。
4. 摩耗部分を均一にして自己研磨を促すため、チゼルを定期的に回します。

5.2.2 ハツリ能力を調整する

- ▶ パワーレベル選択スイッチを押します。
 - ▶ パワーレベル選択スイッチを押して、ハツリ能力を約70%に抑えることができます。



ハツリ能力を調整できるのは、作動モードがオンになっているときのみです。パワーレベル選択スイッチをもう一度押すと、再びハツリフルパワーを使用できるようになります。または本体のスイッチを一度オフしてからオンにしても、再びハツリフルパワーを使用できるようになります。

6 手入れと保守**⚠ 警告**

感電による危険！ 電源プラグをコンセントに接続した状態で手入れや保守を行うと、重傷事故および火傷の危険があります。

▶ 手入れや保守作業の前に、必ず電源プラグをコンセントから抜いてください。

手入れ

- 強固に付着した汚れは慎重に除去してください。
- 通気溝を乾いたブラシで入念に清掃してください。
- ハウジングは必ず軽く湿らせた布で清掃してください。シリコンを含んだ清掃用具はプラスチック部品をいためる可能性があるので使用しないでください。

保守**⚠ 警告**

感電による危険！ 電気部品の誤った修理は、重傷事故および火傷の原因となることがあります。

▶ 電気部品の修理を行うことができるのは、訓練された修理スペシャリストだけです。

- 目視確認可能なすべての部品について損傷の有無を、操作エレメントについては問題なく機能することを定期的に点検してください。
- 損傷および/または機能に問題のある場合は、本製品を使用しないでください。直ちにHilti サービスセンターに修理を依頼してください。



- 手入れおよび保守作業の後は、すべての安全機構を取り付けて機能を点検してください。



安全な作動のために、必ず純正のスペアパーツと消耗品を使用してください。本製品向けに弊社が承認したスペアパーツ、消耗品およびアクセサリは、弊社営業担当またはHilti Storeにお問い合わせいただくか、あるいはwww.hilti.groupでご確認ください。

6.1 防じんカバーの清掃

- ▶ チャックの防じんカバーは、清潔な乾いた布で定期的に清掃してください。
- ▶ シーリングリップをていねいに拭き、Hilti グリスを薄く塗布します。
- ▶ シーリングリップに損傷がある場合は、防じんカバーを必ず交換してください。

7 搬送および保管

- 電動工具は先端工具を装着した状態で搬送しないでください。
- 電動工具は常に電源プラグを外して保管してください。
- 本体は、乾燥している場所に、子供や権限のない人が手を触れることのないようにして保管してください。
- 電動工具を長距離にわたって搬送したり長期にわたって保管した後は、使用の前に損傷がないかチェックしてください。

8 故障時のヒント

この表に記載されていない、あるいはご自身で解消することのできない故障が発生した場合には、弊社営業担当またはHilti サービスセンターにご連絡ください。

8.1 故障かな？と思った時

故障	考えられる原因	解決策
本体が始動しない。	電子回路の初期化を実行中(プラグ接続後約 4 秒まで)。電源遮断後に電子式インターロックがアクティブになった。	▶ 本体をオフにして、再びオンにする。
	主電源が供給されていない。	▶ 他の電動工具を接続して機能を点検する。
	発電機がスリープモード。	▶ 発電機に別の電気負荷(ランプ等)をかける。続いて本体をオフにし、再びオンにする。
	接続可能な電源コードが正しく接続されていない。	▶ 接続可能な電源コードを電動工具に正しく接続する。
サービスインジケータが赤色で点灯する。	本体が損傷しているか、あるいは作動時間がサービス期限に達している。	▶ 本製品の修理は、必ずHilti サービスセンターに依頼してください。
	供給電源の電圧が高すぎる。	▶ 別のコンセントに接続する。電源を点検する。
サービスインジケータが赤色で点滅する。	過熱保護が作動した。	▶ 本体を冷ます。通気溝を清掃する。アイドルでの運転は可能。
	打撃がない。	▶ 本体温度が低すぎる。
本体機能がフルに発揮されない。	パワーレベル制限が有効になっている。	▶ パワーレベル選択スイッチを操作する(パワーレベル選択インジケータに注意する)。本体を抜取り、再び装着する。
	延長コードが長すぎる、または導体断面積が小さすぎる。	▶ 許容された長さと同程度の導体断面積を持つ延長コードを使用する。



故障	考えられる原因	解決策
本体機能がフルに発揮されない。	供給電源の電圧が低すぎる。	▶ 本体を別の電源に接続する。
チゼルをロック解除できない。	チャックが完全に開いていない。	▶ チャックロックスリーブを後ろに十分引きながら先端工具を抜く。
作動中に本体のスイッチがオフになる。	過熱保護が作動した。	▶ 本体を冷ます。通気溝を清掃する。アイドルングでの運転は可能。

9 廃棄

Hilti 製品の大部分の部品はリサイクル可能です。リサイクル前にそれぞれの部品は分別して回収されなければなりません。多くの国で Hilti は、古い電動工具をリサイクルのために回収しています。詳細については弊社営業担当または Hilti 代理店・販売店にお尋ねください。



- ▶ 電動工具、電子機器およびバッテリーを一般ゴミとして廃棄してはなりません！

10 RoHS (Richtlinie zur Beschränkung der Verwendung gefährlicher Stoffe)

下記のリンクより、有害物質を記載した表を確認できます： qr.hilti.com/r9672135。
本書の最終ページに RoHS 表にリンクした QR コードがあります。

11 メーカー保証

- ▶ 保証条件に関するご質問は、最寄りの Hilti 代理店・販売店までお問い合わせください。

오리지널 사용 설명서

1 사용 설명서 관련 정보

1.1 본 사용 설명서에 관하여

- 경고! 제품을 사용하기 전에, 제품과 함께 제공되는 사용 설명서와 설명서에 제시된 지침, 안전상의 주의사항 및 경고사항, 그림 및 사양 등을 잘 읽고 이해해야 합니다. 특히 모든 지침, 안전상의 주의사항 및 경고사항, 그림, 사양과 구성 요소 및 기능을 숙지해야 합니다. 유의하지 않을 경우, 감전, 화재 발생 및/또는 중상을 입을 위험이 있습니다. 추후 사용 시에도 활용할 수 있도록 관련 지침, 안전상의 주의사항 및 경고사항이 포함된 사용 설명서를 잘 보관하십시오.
- 제품은 전문가용으로 설계되어 있으며, 해당 교육을 이수한 공인된 작업자를 통해서만 조작, 유지보수 및 수리 작업을 진행할 수 있습니다. 이 기술자는 발생할 수 있는 위험에 대해 특별 교육을 받은 상태여야 합니다. 교육을 받지 않은 사람이 제품을 부적절하게 취급하거나 규정에 맞지 않게 사용할 경우에는 기기와 그 보조기구에 의해 부상을 당할 위험이 있습니다.
- 함께 제공되는 사용 설명서는 인쇄 시점의 최신 기술 버전을 반영하여 작성됩니다. 최신 버전은 항상 Hilti 제품 사이트의 온라인 버전을 참조하십시오. 온라인 버전을 참고하고자 할 경우, 본 사용 설명서에 제시된 링크 혹은 기호로 표시된 QR 코드를 클릭하십시오.
- 제품을 다른 사람에게 양도할 때는 본 사용 설명서도 반드시 함께 넘겨주십시오.

수입업체(상호)명: 힐티코리아(주)

A/S: 080-220-2000

1.2 기호 설명

1.2.1 경고사항

본 제품을 다루면서 발생할 수 있는 위험에 대한 경고사항. 다음과 같은 시그널 워드가 사용됩니다.



위험

위험!

- ▶ 이 기호는 직접적인 위험을 표시합니다. 만약 지키지 않으면 심각한 부상을 당하거나 사망할 수도 있습니다.

경고

경고!

- ▶ 이 기호는 잠재적인 위험을 표시합니다. 만약 지키지 않으면 심각한 부상을 당하거나 사망할 수도 있습니다.

주의

주의!

- ▶ 이 기호는 잠재적인 위험 상황을 표시합니다. 만약 지키지 않으면 부상 또는 물적 손실을 입을 수 있습니다.

1.2.2 사용 설명서에 사용된 기호

본 사용 설명서에서 사용되는 기호는 다음과 같습니다.

	사용 설명서에 유의하십시오
	적용 지침 및 기타 유용한 사용정보
	재사용이 가능한 자재 취급방법
	전기 기기 및 배터리를 일반 가정의 쓰레기처럼 폐기해서는 안 됨

1.2.3 그림에 사용된 기호

다음과 같은 기호가 그림에 사용됩니다.

	이 숫자는 본 사용 설명서 첫 부분에 있는 해당 그림을 나타냅니다.
	그림에 매겨진 번호는 중요한 작업 순서 또는 작업 순서에 중요한 부분을 나타냅니다. 텍스트에 해당 작업 순서 또는 해당 번호가 매겨진 부품이 강조 표시됩니다(예: (3)).
	항목 번호는 개요 그림에서 사용되며 제품 개요 단락에 나와 있는 기호 설명 번호를 나타냅니다.
	이 표시는 제품을 다룰 때, 특별히 주의할 사항을 나타냅니다.

1.3 제품에 사용된 기호

1.3.1 제품에 사용된 기호

제품에 사용된 기호는 다음과 같습니다.

	보호 등급 II (이중 절연)
--	------------------

2 안전

2.1 전동 공구에 대한 일반적인 안전상의 주의사항

경고 해당 전동 공구와 함께 동봉된 모든 안전상의 주의 사항, 지침, 그림 및 기술자료를 숙지하십시오. 다음과 같은 지침 내용을 준수하지 않으면 전기 충격, 화재가 발생하거나 그리고/또는 중상을 입을 수 있습니다. 앞으로 모든 안전상의 주의사항과 지침을 보관하십시오.

안전상의 주의사항에서 사용되는 "전동 공구"라는 개념은 전원에 연결하여 사용하는 전동 공구(전원 케이블 있음) 또는 배터리를 사용하는 전동 공구(전원 케이블 없음)를 의미합니다.

작업장 안전수칙

- ▶ 작업장을 항상 깨끗이 하고 조명이 잘 들도록 하십시오. 어수선한 작업환경 또는 어두운 작업장은 사고를 초래할 수 있습니다.
- ▶ 인화성 액체, 가스 또는 먼지가 있어 폭발 위험이 있는 환경에서는 전동 공구를 사용하지 마십시오. 전동 공구는 먼지나 증기를 점화시킬 수 있는 스파크를 일으킵니다.



- ▶ 전동 공구를 사용할 때, 어린이들이나 다른 사람들이 작업장에 접근하지 못하도록 하십시오. 다른 사람의 방해로 인해 기기를 통제하기 어렵습니다.

전기에 관한 안전수칙

- ▶ 전동 공구의 전원 플러그가 소켓에 잘 끼워져야 합니다. 플러그를 절대 변형시켜서는 안됩니다. 접지된 전동 공구와 함께 아답타 플러그를 사용하지 마십시오. 변형되지 않은 플러그와 적합한 소켓을 사용하면 감전의 위험을 줄일 수 있습니다.
- ▶ 파이프, 히터, 전기레인지, 냉장고와 같은 접지 표면에 신체 접촉을 피하십시오. 신체에 닿을 경우 감전될 위험이 높습니다.
- ▶ 전동 공구가 비에 맞지 않도록 하고 습한 장소에 두지 마십시오. 전동 공구에 물이 들어가면 감전될 위험이 높습니다.
- ▶ 전원 케이블만 잡고 전동 공구를 운반하거나 걸어 놓아서는 안되며, 소켓에서 전원 플러그를 빼낼 때 케이블만 잡은 채로 빼내지 마십시오. 전원 케이블이 열, 오일, 날카로운 모서리 또는 부품의 가동 부위에 접촉하지 않도록 주의하십시오. 손상되거나 서로 꼬인 전원 케이블은 감전 위험을 높입니다.
- ▶ 실외에서 전동 공구를 이용하여 작업할 때, 실외용으로 승인된 연장 케이블만 사용하십시오. 실외용 연장 케이블을 사용하면 감전의 위험을 줄여줍니다.
- ▶ 전동 공구를 습한 환경에서 사용하는 것을 피할 수 없을 경우, 누전 차단기를 사용하십시오. 누전 차단기를 사용하면 감전 위험을 줄일 수 있습니다.

사용자 안전수칙

- ▶ 신중하게 작업하십시오. 작업에 정신을 집중하고 전동 공구를 사용할 때 경솔하게 행동하지 마십시오. 피곤하거나 항정신성 약물, 술 또는 약을 복용시에는 전동 공구를 사용하지 마십시오. 전동 공구 사용 시에 유의하지 않을 경우 심각한 부상을 초래할 수 있습니다.
- ▶ 안전 장비를 갖추고 보안경을 착용하십시오. 전동 공구의 종류와 사용에 따라, 먼지 보호 마스크, 미끄럼 방지용 안전 신발, 안전모 또는 귀마개 등과 같은 안전한 보호장비를 착용하면 부상의 위험을 줄일 수 있습니다.
- ▶ 실수로 기기가 작동하지 않도록 주의하십시오. 전동 공구를 전원 그리고/또는 배터리에 연결하기 전, 보관 또는 운반 전에 전동 공구가 스위치 OFF 상태인지 확인하십시오. 전동 공구 운반 시 스위치에 손가락을 대거나 스위치가 켜진 상태에서 전원을 연결하면 사고를 유발할 수 있습니다.
- ▶ 전동 공구의 스위치를 켜기 전, 조정공구 또는 렌치를 제거하십시오. 기기 회전부에 남아있는 공구나 렌치로 인해 부상을 입을 수 있습니다.
- ▶ 작업 시 비정상적인 자세는 피하십시오. 안전한 작업자세가 되도록 하고, 항상 균형을 유지하십시오. 이렇게 하여 예기치 않은 상황에서도 전동 공구를 잘 제어할 수 있습니다.
- ▶ 적합한 작업복을 착용하십시오. 헐렁한 복장이나 장식품을 착용하지 마십시오. 작동하는 기기 가동 부위에 머리, 옷 그리고 장갑이 가까이 닿지 않도록 주의하십시오. 헐렁한 복장, 장식품 혹은 긴 머리가 가동 부위에 밀려 들어갈 수 있습니다.
- ▶ 먼지 제거장치나 수거장치를 설치할 수 있는 기기의 경우, 이 장치들이 연결되어 있는지 그리고 제대로 작동되는지를 확인하십시오. 먼지 포집장치 사용은 먼지로 인한 위험을 줄여줍니다.
- ▶ 이 전동 공구를 여러번 사용해왔다고 해서 안전하다고 안심하지 말고 전동 공구에 해당하는 안전 규칙을 무시하지 마십시오. 부주의하게 행할 경우 아주 짧은 순간에 중상을 입을 수 있습니다.

전동 공구의 취급과 사용

- ▶ 기기에 과부하가 걸리지 않도록 하십시오. 귀하의 작업에 적합한 전동 공구를 사용하십시오. 적합한 전동 공구를 사용하면, 지정된 성능 한도 내에서 더 효율적으로 안전하게 작업할 수 있습니다.
- ▶ 스위치가 고장난 전동 공구는 사용하지 마십시오. 스위치가 작동되지 않는 전동 공구는 위험하므로, 반드시 수리를 해야 합니다.
- ▶ 기기 세팅을 실행, 액세서리를 교환 또는 기기를 보관하기 전에 컨택터를 전원소켓에서 그리고/또는 탈착식 배터리를 기기에서 빼놓으십시오. 이러한 조치는 실수로 전동 공구가 작동하지 않도록 방지합니다.
- ▶ 사용하지 않는 전동 공구는 어린이들의 손이 닿지 않는 곳에 보관하십시오. 기기 사용에 익숙치 않거나 또는 이 안전수칙을 읽지 않은 사람이 기기를 사용해서는 안 됩니다. 비숙련자가 전동 공구를 사용하면 위험합니다.
- ▶ 전동 공구 및 액세서리를 유의해서 관리하십시오. 기기의 가동 부위가 완벽하게 작동하는지, 끼어 있지 않은지, 혹은 부품이 손상되거나 파손되어 있어 전동 공구의 기능을 저하시키지 않는지 점검하십시오. 기기 사용 전 손상된 부품을 수리하도록 하십시오. 제대로 관리되지 않은 전동 공구는 많은 사고를 유발합니다.
- ▶ 절단기기는 날카롭고 깨끗하게 관리하십시오. 날카로운 절단면이 있고 잘 관리된 절단기기는 끼이는 경우가 드물고 조절하기도 쉽습니다.
- ▶ 본 지침에 따라 전동 공구, 액세서리, 공구 비트 등을 사용하십시오. 이 때 작업 조건과 실시하려는 작업 내용을 고려하십시오. 원래 사용 분야가 아닌 다른 작업에 전동 공구를 사용할 경우, 위험한 상황을 초래할 수 있습니다.



- ▶ 손잡이 및 손잡이 표면은 건조하고 깨끗하게, 그리고 오일과 그리스가 묻어있지 않도록 해야 합니다. 미끄러운 손잡이 및 손잡이 표면은 예상치 못한 상황에서 전동 공구를 안전하게 조작하고 제어할 수 없습니다.

서비스

- ▶ 전동 공구는 반드시 자격을 갖춘 전문가에 의해 그리고 순정 대체부품만 이용하여 수리해야 합니다. 이렇게 하여 전동 공구의 안전성을 계속해서 유지할 수 있습니다.

2.2 해머에 대한 안전상의 주의사항

모든 작업에 대한 안전상의 주의사항

- ▶ 귀마개를 착용하십시오. 극심한 소음은 청각 상실을 유발할 수 있습니다.
- ▶ 기기와 함께 공급된 보조 손잡이를 사용하십시오. 기기를 제어하지 못하면 부상을 입을 수 있습니다.
- ▶ 공구 비트가 숨겨진 전선이나 기기 자체의 전원 케이블과 접촉할 수 있는 작업을 할 경우, 항상 기기의 절연된 손잡이 부분을 잡으십시오. 전류가 흐르는 전선과 접촉하면 전동공구의 금속 부위를 통해 감전이 될 수도 있습니다.

2.3 그 외의 안전상의 주의사항

사용자 안전수칙

- ▶ 기술적 하자가 없는 상태에서만 제품을 사용하십시오.
- ▶ 어떠한 경우에도 기기를 무단 변경 또는 개조하지 마십시오.
- ▶ 사용자와 그 주변에 있는 사람들은 기기를 사용하는 동안 반드시 적절한 보안경, 안전모, 보호장갑 및 안전화를 착용해야 합니다.
- ▶ 사용하는 동안 공구가 뜨거워지므로, 공구를 교환할 때에는 보호장갑을 착용하십시오.
- ▶ 천공 작업 시, 작업할 부분의 반대편이 안전하도록 조치를 취하십시오. 발생하는 분쇄물이 빠져 나오거나 또는 떨어지면서 다른 사람이 부상을 입을 수 있습니다.
- ▶ 측면 손잡이가 정확하게 설치되고 올바르게 고정되어 있는지 확인하십시오. 항상 양손으로 기기의 손잡이를 잡고 공구를 고정시키십시오. 손잡이는 건조하고 깨끗하게, 그리고 오일과 그리스가 묻어있지 않도록 해야 합니다.
- ▶ 손가락의 혈액순환이 잘 되도록 하기 위해 휴식시간 동안 손가락 운동을 하십시오. 장시간 작업하면 진동으로 인해 혈관 장애 또는 손가락, 손 및 손목의 신경 체계에 이상이 있을 수 있습니다.
- ▶ 본 기기는 교육을 받지 않은 약자가 사용할 수 없습니다.
- ▶ 어린이 손에 닿지 않는 곳에 보관하십시오.
- ▶ 작업을 시작하기 전, 작업 시 발생하는 먼지의 위험 등급을 알아보십시오. 해당 국가의 먼지 방지 규정에 적합하며, 공식적으로 허용된 보호 등급의 산업용 진공 청소기만을 사용하십시오.
- ▶ 가능하면 먼지 포집장치 및 적합한 이동식 먼지 흡인기를 사용하십시오. 납이 함유된 도료, 일부 목재, 콘크리트/조적벽돌/수정을 함유한 암석 및 금속과 같은 광물질로부터 나오는 먼지는 건강에 해로울 수 있습니다.
- ▶ 작업장을 잘 환기시키고 먼지의 종류에 따라 필요 시 보호마스크를 착용하십시오. 먼지를 흡입하거나 만질 경우, 사용자 또는 근처에 있는 사람에게 기관지 질병이나 알레르기 반응이 나타날 수 있습니다. 딱딱나 무 입자 또는 너도밤나무 입자와 같은 특정 종류의 먼지는, 특히 목재 처리용으로 사용하는 첨가제(크롬산염, 목재 부식 방지제)와 결합하여 암을 일으킬 수 있습니다. 석면 물질은 전문가에서만 다루 수 있습니다.
- ▶ 작업을 시작하기 전에 건축 감독 또는 현장 엔지니어로부터 작업 승인을 받아야 합니다. 건물과 다른 구조물에 작업하는 것은 구조물의 안전에 영향을 미칠 수 있습니다(특히 보강철근 또는 부하지지요소를 잘라낼 때).

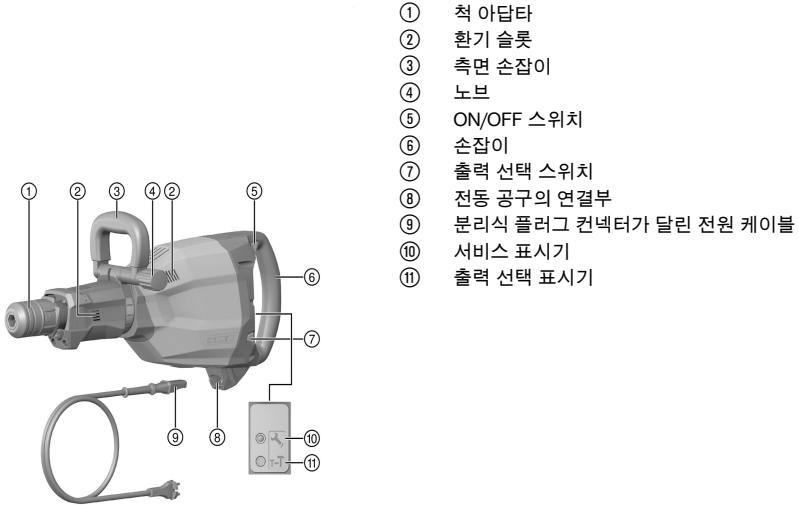
전기에 관한 안전수칙

- ▶ 작업을 시작하기 전에, 작업장에서 가려져 있거나 덮혀 있는 전기 배선, 가스 파이프 그리고 하수도관이 있는지를 점검하십시오. 실수로 전기 케이블을 손상시킨 경우, 기기 바깥쪽에 있는 금속 부품에서 전기 쇼크를 일으킬 수 있습니다.
- ▶ 기기의 연결 케이블을 정기적으로 점검하고, 손상이 있을 경우 자격을 갖춘 전문가가 교환하도록 하십시오. 전동 공구의 전원 케이블이 손상되었을 경우, 서비스 센터에서 판매되는 승인된 기기 전용 전원 케이블로 교체하십시오. 연장 케이블을 정기적으로 점검하고, 손상되었을 경우 이를 교체하십시오. 작업하는 동안 전원 케이블이나 연장 케이블이 손상되었을 경우에는 절대로 케이블을 만지지 마십시오. 전원 플러그를 소켓에서 빼십시오. 손상된 전원 케이블과 연장 케이블은 전기 쇼크로 인한 위험을 유발할 수 있습니다.
- ▶ 전도성이 있는 소재에서 자주 작업할 경우, 오염된 기기를 정기적으로 Hilti 서비스 센터에서 점검받으십시오. 특히 전도성이 있는 소재에서 기기의 표면에 달라 붙어있는 먼지나 습기는 부적합한 조건에서 전기 쇼크까지 일으킬 수 있습니다.
- ▶ 전원이 차단되었을 경우, 기기 스위치를 끄고 전원 플러그를 빼내십시오. 이는 전원이 다시 공급되었을 때 기기가 갑자기 시동되는 것을 방지하기 위함입니다.



3 제품 설명

3.1 제품 개요



- ① 척 아답타
- ② 환기 슬롯
- ③ 측면 손잡이
- ④ 노브
- ⑤ ON/OFF 스위치
- ⑥ 손잡이
- ⑦ 출력 선택 스위치
- ⑧ 전동 공구의 연결부
- ⑨ 분리식 플러그 컨넥터가 달린 전원 케이블
- ⑩ 서비스 표시기
- ⑪ 출력 선택 표시기

3.2 규정에 맞는 사용

기술된 제품은 고난도의 치질링 작업에 사용되는 전동식 브레이커입니다. 이 기기는 콘크리트, 조적벽돌, 석재 및 아스팔트의 파쇄 작업 및 철거 작업에 적합합니다.
 ▶ 형식 라벨에 제시되어 있는 정격 전압과 정격 주파수로만 기기를 작동시켜야 합니다.

3.3 잘못 사용할 수 있는 경우

본 제품은 건강에 유해한 물질을 가공하는 데 적합하지 않습니다.
 본 제품은 습한 환경에서 작업하는 데 적합하지 않습니다.

3.4 Active Vibration Reduction (AVR)

브레이커에는 진동을 현저하게 줄여주는 Active Vibration Reduction (AVR) 시스템이 장착되어 있습니다.

3.5 출력 선택 표시기

브레이커에 램프 신호를 갖춘 출력 선택 표시기가 장착되어 있습니다. 출력 선택 스위치를 눌러 치질 출력을 약 70%로 낮출 수 있습니다. 그렇게 하면 출력 감소를 나타내는 출력 선택 표시기가 점등됩니다.

3.6 서비스 표시기 상태

브레이커에 램프 신호를 갖춘 서비스 표시기가 장착되어 있습니다.

상태	의미
서비스 표시기가 적색으로 점등됨.	서비스 받을 시점에 도달하였음. 기기 손상.



상태	의미
서비스 표시기가 적색으로 깜박임.	과열 방지 장치. 전원 전압이 너무 높음.

제품을 Hilti 서비스 센터로 가져오십시오. 이렇게 하면 제품을 항상 작동 가능한 상태로 유지할 수 있습니다.

3.7 공급품목

브레이커, 측면 손잡이, 사용 설명서
해당 제품에 허용되는 기타 시스템 제품은 **Hilti Store** 또는 **www.hilti.group**에서 확인할 수 있습니다.

4 기술 지원

4.1 브레이커

정격 전압, 정격 전류, 주파수 그리고/또는 정격 출력은 국가별 형식 라벨을 참조하십시오.

발전기 또는 변압기에서 작동할 경우, 발전기 및 변압기의 공급출력이 본 기기의 형식 라벨에 적힌 정격 출력보다 최소 두 배 이상 높아야 합니다. 변압기 및 발전기의 작동 전압은 항상 기기의 정격 전압의 +5 % ~ -15 % 사이에 위치해야 합니다.

	TE 1000-AVR
제품 세대	02
EPTA-Procedure 01에 따른 무게	12.5kg
EPTA-Procedure 05에 따른 1회 타격 에너지	26J

4.2 소음 정보 및 진동 값

이 지침에 제시된 음압 및 진동수준은 표준화된 측정방법에 따라 측정된 것이며, 전동 공구를 서로 비교하기 위한 용도로 사용할 수 있습니다. 음압 및 진동 수준은 노출 정도를 사전에 예측하는 데에도 유용하게 사용할 수 있도록 설계되어 있습니다.

제시된 데이터는 전동 공구의 주된 용도를 나타냅니다. 그러나 전동 공구를 다른 용도로 사용하거나 다른 공구 비트를 사용할 경우 또는 유지보수를 충분히 하지 않은 상태에서는 데이터에 편차가 있을 수 있습니다. 이러한 경우 전 작업시간에 걸쳐 노출이 현저하게 증가할 수 있습니다.

노출을 정확하게 평가하기 위해서는 전동 공구 작동이 멈춰 있거나 또는 작동 중이지만 실제로는 사용하지 않는 시간도 고려해야 합니다. 이러한 경우 전 작업시간에 걸쳐 노출이 현저하게 감소할 수 있습니다.

사용자를 보호하기 위해 음파 그리고/또는 진동이 작용하기 전에 다음과 같은 추가적인 안전 조치를 취하십시오. 전동 공구와 공구 비트의 유지보수, 손을 따뜻하게 유지, 작업수서 정하기 등.

여기에 적용된 EN 62841 규정의 버전에 관한 세부 정보는 적합성 선언 이미지 182에서 확인할 수 있습니다.

소음 배출 값

소음 수준 (L_{WA})	96dB(A)
소음 수준 허용공차 (K_{WA})	3dB(A)
음압 방출 수준 (L_{pA})	88dB(A)
음압 수준 허용공차 (K_{pA})	3dB(A)

소음 정보 및 진동 값

치질링 ($a_{h, Cheq}$)	5.9m/s ²
허용공차 (K)	1.5m/s ²



5.1 작업 준비 **주의**

부상위험! 제품의 돌발적인 사용.

- ▶ 기기 설정 또는 액세서리를 교체하기 전에 전원 플러그를 당기십시오.

본 문서 및 제품에 나와 있는 안전 지침 및 경고 지침에 유의하십시오.

5.1.1 측면 손잡이 장착 및 조정 **주의**

부상위험 브레이커 점검 누락됨.

- ▶ 측면 손잡이가 정확하게 설치되고 올바르게 고정되어 있는지 확인하십시오.

- ▶ 측면 손잡이를 장착 또는 조정하십시오.



측면 손잡이에 동봉된 설명 내용에 유의하십시오.

5.1.2 전원 케이블 **주의**

오염된 접점에서 누설 전류로 인한 부상 위험

- ▶ 깨끗하고, 건조하고, 전압이 흐르지 않는 상태에서만 분리식 전기 컨넥터를 전동 공구에 연결하십시오.

- ▶ 전원 케이블을 연결/분리하십시오.

5.1.2.1 전원 케이블 연결 **주의**

오염된 접점에서 누설 전류로 인한 부상 위험

- ▶ 깨끗하고, 건조하고, 전압이 흐르지 않는 상태에서만 분리식 전기 컨넥터를 전동 공구에 연결하십시오.

1. 분리식 플러그 전기 컨넥터를 기기 스톱 위치까지, 잠금 소리가 들릴 때까지 끼우십시오.



공구/케이블 인터페이스가 먼지와 습기로부터 보호받을 수 있도록 케이블은 항상 기기에 고정시켜 두기를 권장합니다. 케이블은 파손/손상된 경우에만 분리해두는 것이 좋습니다.

2. 전원 플러그를 소켓에 끼우십시오.

5.1.2.2 전동 공구에서 전원 케이블 분리

1. 전원 플러그를 소켓에서 빼내십시오.
2. 제동 버튼을 눌러 분리식 플러그 전기 컨넥터를 빼내십시오.
3. 전원 케이블을 기기에서 당겨 빼십시오.

5.1.3 공구 비트 삽입

1. 드릴 샹크식 기기 비트를 가볍게 기름칠하십시오
2. 공구 비트를 척 아답타에 끼운 다음, 잠기는 소리가 날 때까지 공구 비트를 가볍게 누르면서 돌리십시오.
 - ▶ 제품이 작동 가능한 상태입니다.



Hilti의 순정 그리스만 사용하십시오. 적합하지 않은 그리스를 사용하면 제품이 손상될 수 있습니다.

5.1.4 공구 비트 분리 **경고**

부상위험 사용하는 동안 공구가 뜨거워지고 날카로운 모서리에 다칠 수 있습니다.

- ▶ 공구 교체 시 보호장갑을 착용하십시오.



위험

화재위험 가열된 공구와 인화되기 쉬운 소재가 접촉했을 때 발생하는 위험

- ▶ 가열된 공구를 인화되기 쉬운 소재 가까이에 두지 마십시오.

1. 척 아답타를 뒤로 당기십시오.
2. 공구를 빼내십시오.

5.2 작업

주의

올바르지 않은 취급으로 인한 손상 위험!

- ▶ 작동 중에는 회전방향 선택 그리고/또는 기능 선택 스위치를 작동하지 마십시오.

본 문서 및 제품에 나와 있는 안전 지침 및 경고 지침에 유의하십시오.

5.2.1 치즐링 작업



치즐 각도를 (60° 단계로) 6가지의 다양한 위치에 둘 수 있습니다. 이를 통해 평치즐과 성형 치즐을 항상 최적의 작업위치에서 작동시킬 수 있습니다.

압착력이 너무 낮으면 치즐이 튀어오릅니다. 압착력이 너무 높으면 치즐 출력이 떨어집니다.

1. 전원 플러그를 소켓에 끼우십시오.
2. 치즐을 모서리에서 약 80-100 mm (3 1/8" - 4") 떨어진 거리에 두십시오.
3. 콘크리트 표면에 70° ~ 80°의 각도를 유지하여 치즐 작업을 시작하고, 끝이 모서리 쪽을 향하도록 하십시오. 그리고 나서 90° 각도로 옮긴 후 자재를 파쇄하십시오.
 - ▶ 보강철근의 경우 치즐은 항상 보강철근 쪽이 아닌, 자재의 모서리 쪽을 향하도록 하십시오.
4. 균등하게 마모되어야 날카롭게 유지되므로, 치즐을 정기적으로 회전시켜주는 것이 좋습니다.

5.2.2 치즐 출력 설정

- ▶ 출력 선택 스위치를 누르십시오.
 - ▶ 출력 선택 스위치를 눌러 치즐 출력을 약 70%로 낮출 수 있습니다.



치즐 출력 설정은 전원이 켜진 상태에서만 가능합니다. 출력 선택 스위치를 다시 누르면 치즐 출력이 다시 100% 상태로 다시 돌아갑니다. 기기의 전원을 껐다가 다시 켜도, 치즐 출력은 100%로 재공됩니다.

6 관리 및 유지보수

경고

감전 위험! 전원 플러그가 삽입된 상태에서 관리 및 수리 작업을 진행하면 중상 및 화상을 입을 수 있습니다.

- ▶ 관리 및 수리 작업을 진행하기 전에 항상 전원 플러그를 분리하십시오!

관리

- 공구에 부착된 오염물질을 조심스럽게 제거하십시오.
- 마른 솔로 환기 흡을 조심스럽게 청소하십시오.
- 하우징은 약간 물을 적신 천으로만 닦으십시오. 플라스틱 부품은 손상시킬 수 있으므로 절대로 실리콘이 함유된 보호제를 사용하지 마십시오.

유지보수

경고

감전으로 인한 위험! 전기 구성부품에서 부적절하게 수리하면 중상을 입거나 화재를 야기할 수 있습니다.

- ▶ 전기 부품은 반드시 전기 기술자가 수리하도록 해야 합니다.

- 눈에 보이는 모든 부품은 정기적으로 손상 여부를 점검하고 조작 요소가 아무 문제없이 작동하는지 점검하십시오.
- 손상되었거나 기능 장애가 있는 경우에는 제품을 작동하지 마십시오. 바로 Hilti 서비스 센터에서 수리받으십시오.
- 관리 및 수리 작업 후 모든 보호장치를 가져와 기능을 점검하십시오.



i 안전한 사용을 위해서 순정 예비 부품 및 소모품만을 사용하십시오. 해당 제품에 허용되는 예비 부품, 소모품 및 액세서리는 **Hilti Store** 또는 **www.hilti.group**에서 확인할 수 있습니다.

6.1 더스트 캡 청소

- ▶ 깨끗한 마른 걸레를 이용하여, 칙 아답타의 더스트 캡을 정기적으로 청소하십시오.
- ▶ 씰링 립을 조심스럽게 깨끗하게 닦아낸 다음, **Hilti** 그리스를 다시 약간 바르십시오.
- ▶ 씰링 립이 손상되었을 경우, 반드시 더스트 캡을 교환하십시오.

7 운반 및 보관

- 전동공구는 공구가 끼워진 상태에서 운반하지 마십시오.
- 전동공구는 항상 전원 플러그를 당긴 상태로 보관하십시오.
- 기기는 건조한 상태로 보관하고 어린이 및 허용되지 않는 사람의 손에 닿지 않도록 하십시오.
- 전동공구를 장시간 운반 또는 보관한 후에는 사용하기 전에 손상 여부를 점검하십시오.

8 문제 발생 시 도움말

본 도표에 제시되어 있지 않거나 스스로 해결할 수 없는 문제가 발생한 경우 **Hilti** 서비스 센터에 문의해 주십시오.

8.1 고장진단

장애	예상되는 원인	해결책
기기가 작동하지 않음.	전자 장치가 초기화됨(전원 공급장치 연결 후 약 4초 이내). 전원공급 중단 후에 전자장치 작동 차단이 활성화됨.	▶ 기기를 껐다가 다시 켜십시오.
	전원이 공급되지 않음.	▶ 다른 전동 공구를 끼워 기능을 점검하십시오.
	발전기가 수면 모드에 있음.	▶ 발전기를 보조 전력 기기에 연결하십시오(예: 공사현장 전등). 그리고 나서 기기의 전원을 껐다가 다시 켜십시오.
	전원 케이블이 제대로 끼워지지 않음.	▶ 전동 공구에 전원 케이블을 제대로 연결하십시오.
서비스 표시기가 적색으로 점등됨.	기기 손상 또는 서비스 받을 시점에 도달하였음.	▶ 제품을 Hilti 서비스 센터에서 수리 받으시기 바랍니다.
	서비스 표시기가 적색으로 깜박임.	▶ 전원 전압이 너무 높음. ▶ 과열 방지가 작동됨.
타격이 되지 않음.	기기 과냉 상태.	▶ 브레이커를 모재로 가져와서 공회전 상태로 작동시키십시오. 필요한 경우 함마링 장치가 작동될 때까지 과정을 반복하십시오.
기기가 전출력으로 작동되지 않음.	출력 감소 활성화됨.	▶ 출력 선택 스위치를 누르십시오(출력 선택 표시기에 유의). 기기를 껐다가 다시 끼우십시오.
	연장 케이블이 너무 길 그리고 / 또는 심선 단면적이 너무 작음.	▶ 허용된 길이로 된 연장 케이블 그리고 / 또는 단면적 크기가 충분한 심선을 사용하십시오.
	전원 전압이 너무 낮음.	▶ 기기를 다른 전원에 연결하십시오.
치줄이 잠금 상태에서 풀리지 않음.	칙 아답타를 완전히 뒤로 당기지 않았음.	▶ 공구 잠금장치를 스톱위치까지 뒤로 당긴 다음 공구를 빼내십시오.



장애	예상되는 원인	해결책
기기가 작동 중에 꺼짐.	과열 방지가 작동됨.	▶ 기기를 냉각시키십시오. 환기 슬롯을 청소하십시오. 공회전 상태에서 계속 작동이 가능합니다.

9 폐기

Hilti 기기는 대부분 재사용이 가능한 소재로 제작되었습니다. 재활용을 위해 개별 부품을 분리하여 주십시오. Hilti는 대부분의 국가에서 재활용을 위해 노후기기를 수거해 갑니다. Hilti 고객 서비스센터 또는 판매 상담자에게 문의하십시오.



- ▶ 전동 공구, 전자식 기기 및 배터리를 일반 가정 쓰레기로 폐기하지 마십시오!

10 RoHS (Richtlinie zur Beschränkung der Verwendung gefährlicher Stoffe)

아래 도표에서 유해물질에 관한 도표를 확인할 수 있습니다. qr.hilti.com/r9672135. RoHS 도표로 이어지는 링크는 본 문서 끝에 QR 코드 형식으로 제시되어 있습니다.

11 제회회사 보증

- ▶ 보증 조건에 관한 질문사항은 현지 Hilti 파트너사에 문의하십시오.

原始操作說明

1 關於操作說明的資訊

1.1 關於本操作說明

- 注意！在使用本產品之前，請確保您已閱讀並瞭解產品隨附的操作說明書，包括說明、安全性和警示注意事項、圖解和規格。尤其是熟悉所有說明、安全性和警示注意事項、圖解、規格、組件和功能。若未遵守，可能會導致觸電、火災和/或嚴重傷害的風險。妥善保存操作說明書，包括所有說明、安全性和警示注意事項，以備日後使用。
- 產品是針對專業使用者設計，故僅經訓練、認可的人員可操作、維修與維護本產品。必須告知上述人員關於可能遭遇到的特殊危險。若因未經訓練人員操作錯誤或未依照其原本的用途操作，則本產品和它的輔助工具設備有可能會發生危險。
- 隨附的操作說明書符合印刷時的最新技術水準。您隨時可在Hilti產品頁面上尋找最新版本。為此，請點選操作說明書中標示 符號的連結或QR碼。
- 將產品交予他人時，必須連同本操作說明書一併轉交。

僅適用於台灣

進口商: 喜利得股份有限公司

地址: 新北市板橋區

新站路16號24樓22041

電話: 0800-221-036

1.2 已使用的符號解釋

1.2.1 警告

警告您在操作或使用本產品時可能發生之危險。採用了以下標示文字：



危險！

- ▶ 此標語警示會發生對人造成嚴重傷害甚至致死的危險情形。



警告

警告！

- ▶ 此標語警示會造成嚴重傷害甚至致死危險的潛在威脅。

注意

注意！

- ▶ 請小心會造成人員受傷或對設備及其他財產造成損害的潛在危險情況。

1.2.2 操作說明中的符號

本操作說明中採用以下符號：

	請遵照操作說明
	使用說明與其他資訊
	處理可回收的材料
	不可將電子設備與電池當作家庭廢棄物處置

1.2.3 圖解中的符號

圖解中採用了以下符號：

	號碼對應操作說明的開始處的圖解。
	圖解中的編號表示重要的工作步驟或對工作步驟重要的元件。在文字中，這些工作步驟或元件以對應的數字明顯顯示，例如(3)。
	概覽圖解中使用位置編號，方便您對應到產品概覽段落中的圖例編號。
	本符號是為了讓您在操作本產品時可以注意某些重點。

1.3 產品上的符號

1.3.1 產品上的符號

產品上採用下列符號：

	防護等級II (雙重絕緣)
--	---------------

2 安全性

2.1 一般電動機具安全警告

警告 請詳閱本電動機具提供的所有安全警告、指示、圖解和說明。未能遵守以下所有指示可能會造成電擊事故、火災和/或嚴重的傷害。

妥善保存所有警示及說明，以供將來參考。

注意事項中的「機具」係指使用電源（有線）或電池（無線）的電動機具。

工作區域安全

- ▶ 請保持工作區的清潔與採光充足。雜亂而昏暗的工作區會導致意外發生。
- ▶ 勿在容易發生爆炸的環境中使用機具，例如有可燃性液體、瓦斯或粉塵存在的環境。機具產生的火花可能會引燃塵埃或煙霧。
- ▶ 操作機具時，請與兒童及旁人保持距離。注意力不集中時容易發生失控的情形。

電力安全

- ▶ 機具插頭與插座須能互相搭配。勿以任何方式改裝插頭。勿將任何變壓器插頭和與地面接觸（接地）的電動機具搭配使用。未經改裝的插頭以及能互相搭配的插座可減少發生電擊的危險。
- ▶ 避免讓身體接觸到如管線、散熱器、爐灶與冰箱等與土地或地表接觸之物品。如果您的身體接觸到地表或地面，將增加電擊的危險。
- ▶ 請勿將機具曝露在下雨或潮濕的環境中。若水氣進入機具中將增加觸電的危險。



- ▶ 勿濫用電纜線。勿以電纜線吊掛、拖拉機具或拔下機具插頭。電纜線應避開熱氣、油、銳利的邊緣或移動性零件。電纜線損壞或纏繞會增加發生電擊事故的危險。
- ▶ 於室外操作機具時，須使用適用於戶外的延長線。使用適合戶外使用的延長線可降低觸電的風險。
- ▶ 如果無法避免在潮濕的地點操作機具，請使用漏電斷路器（RCD）保護電源供應器。使用漏電斷路器（RCD）可降低電擊的風險。

人員安全

- ▶ 操作機具時，請提高警覺，注意進行中的工作並善用常識。感到疲勞或受到藥物、酒精或治療的影響時勿使用機具。操作機具時稍不留神就可能造成嚴重的人員傷亡。
- ▶ 穿戴個人防護裝備。請隨時穿戴眼罩。適當使用防塵面罩、防滑鞋、安全帽及耳罩等安全防護配備可減少人員的傷害。
- ▶ 避免不經意的啟動。在接上電源或電池組、抬起或攜帶機具之前，務必確認開關處於關閉的位置。攜帶機具時，如果把手指放在開關上，或在開關開啟時，將機具插上插頭容易發生意外。
- ▶ 啟動機具前，應將所有調整鑰匙或扳手移開。將扳手或鑰匙留在機具的旋轉零件中可能會造成人員傷害。
- ▶ 勿將手伸出過遠。隨時站穩並維持平衡。這可讓您在意外情況發生時，對機具有較好的控制。
- ▶ 穿著適當服裝。請勿穿著寬鬆的衣服或佩戴珠寶。頭髮、衣服與手套應遠離移動性零件。移動性零件可能會夾到寬鬆的衣服、珠寶或長髮。
- ▶ 如果機具可連接吸塵裝置與集塵設備，請連接並適當使用這些設備。使用集塵裝置可降低與粉塵有關的危險。
- ▶ 請勿因頻繁而習慣使用機具便疏於遵守或忽略機具的安全規範。草率使用可能在轉眼間便造成嚴重的傷害。

機具使用與保養

- ▶ 不可強制使用機具。依據用途使用正確的機具。根據設計的速率使用機具可更快速安全地完成工作。
- ▶ 若開關無法啟動或關閉電動工具時，請勿使用電動工具。任何無法以開關控制的機具都很危險且需要維修。
- ▶ 在進行任何調整、更換配件、或貯放電動機具前，請先將插頭拔離插座和 / 或將電池組自電動機具卸下（如可拆卸）。此預防安全措施可降低機具意外啟動的風險。
- ▶ 將閒置的機具貯放在兒童拿不到的地方，勿讓不熟悉或未詳閱本說明的人員操作本機具。機具在未經訓練的使用者手中是很危險的。
- ▶ 維護機具與配件。請檢查移動性零件有無偏移或黏合的情形、零件有無破損，以及任何會影響機具運轉的狀況。如果機具受損，請先維修後再使用。很多意外便是由維護不當的機具造成的。
- ▶ 保持切割機具的銳利與清潔。具銳利切割邊緣的切割機具如果得到適當的維護，便較不會發生黏合的現象，且較容易控制。
- ▶ 遵守本指示說明使用機具、配件和工具組等，並考量工作條件與待進行的工作。將機具用在原目的外之用途可能會造成危險。
- ▶ 保持握把與其表面的乾燥、清潔且不要讓上面出現油漬。握把及其表面濕滑會在意外情況中造成機具無法安全掌控。

維修服務

- ▶ 請將機具交給合格的維修人員進行維修，並使用相同的替代零件。這可確保維護機具安全。

2.2 電錘的安全注意事項

各種工作的安全操作說明

- ▶ 請配戴耳罩。暴露於噪音環境下會導致聽力受損。
- ▶ 請使用機具隨附的輔助握把。機具失控可能會導致人員受傷。
- ▶ 當所進行的工作，配件工具可能會碰觸到隱藏配線或其自身的電線時，請在操作時握住機具的絕緣握把。若配件工具接觸帶電線路，機具暴露在外的金屬零件也會通電，造成操作員觸電。

2.3 其他安全預防措施

人員安全

- ▶ 請使用狀態良好無瑕疵的產品。
- ▶ 勿嘗試以任何方式改裝機具。
- ▶ 使用本裝置時，使用者及周圍人員都必須穿戴適當的護目鏡、安全帽、防護手套及防護鞋。
- ▶ 配件會在使用時會產生高溫，因此進行更換時請穿戴防護手套。
- ▶ 若工作包含鑿穿作業，請於工件另一面一併採取適當的防護措施。鑿穿的碎片會掉落和 / 或造成他人受傷。
- ▶ 檢查側向握把是否正確安裝且緊固。以雙手握持機具的握把。請保持機具握把的乾燥、清潔，避免沾染油及油脂。



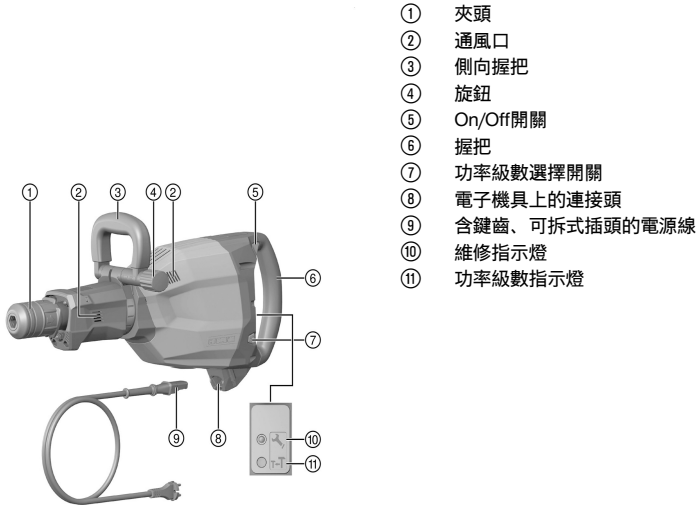
- ▶ 請利用工作空檔時休息，並活動您的手指以促進血液循環。長時間暴露在震動下會造成手指、手掌和手腕的血管和神經系統失調。
- ▶ 本機具不應由未受特殊訓練且疲憊不堪的人員使用。
- ▶ 將機具放在兒童拿不到的地方。
- ▶ 在開始作業前，請先針對作業時所產生粉塵之危險等級進行確認。使用符合當地粉塵防治條例，且經法定認可為保護等級之工業用吸塵器。
- ▶ 可能的話，請連接除塵系統以及適合的吸塵器。含鉛塗料、某些木材及含石英之混凝土 / 石材 / 石頭、礦物質或金屬等材料的粉塵均對身體有害。
- ▶ 請確保工作場所所有良好通風，必要時，請依會產生的粉塵類型配戴適合的口罩。操作人員與旁觀者接觸或吸入粉塵可能會引起過敏及 / 或造成呼吸問題或其他疾病。像是橡木與山毛櫸木材的粉塵已列為致癌物質，尤其是當它們使用調濕塗料（鉻酸鹽、木材防腐劑）時。包含石綿之基材務必由專人處理。
- ▶ 開始進行作業前，須得到現場工程師或建築師的許可。建築物上或結構體上的作業可能會影響結構的靜力學，尤其是貫穿鋼筋或負載元件時。

電力安全

- ▶ 開始工作前，請先檢查工作區域是否有隱藏的電纜線、瓦斯管或水管。若不小心損害電纜線時，機具外部的金屬零件可能會導電而造成電擊的危險。
- ▶ 請定期檢查機具的電源線。並於發現損壞時，請合格的電力專員更換。若電動機具電源線損壞，必須以Hilti維修服務中心所提供特別專用且認可的電源線更換。定期檢查延長線，並在發現損壞時予以更換。當機具運轉時，如果發現電源線或延長線受損，請勿碰觸。將電源線插頭自插座拔離。受損的電源線或延長線可能會引發電擊事故。
- ▶ 經常使用於導電材質的機具若是骯髒或積著粉塵，應定期交給Hilti維修中心檢查。機具表面附著的粉塵（尤其是來自可導電材質的粉塵）或濕氣，在非常不利的情況下可能會引發電擊事故。
- ▶ 當發生停電或電力中斷的情形發生時，請將機具關閉，並將電源線的插頭拔掉。此動作可避免當恢復供電時，機具不經意重新啟動的情形發生。

3 說明

3.1 產品總覽



- ① 夾頭
- ② 通風口
- ③ 側向握把
- ④ 旋鈕
- ⑤ On/Off開關
- ⑥ 握把
- ⑦ 功率級數選擇開關
- ⑧ 電子機具上的連接頭
- ⑨ 含鍵齒、可拆式插頭的電源線
- ⑩ 維修指示燈
- ⑪ 功率級數指示燈



3.2 用途

本產品為適用於重級鑿孔作業的電動鑿破機。
適合用於混凝土、石材、石頭與柏油之擊破及拆除。
▶ 操作時務必使用符合機具型號識別牌上所標示的電壓及電頻。

3.3 可能發生的誤用

本產品不適合用於金屬相關作業。
本產品不適合在潮濕環境下作業。

3.4 Active Vibration Reduction (AVR)

本鑿破機配備主動減震 (Active Vibration Reduction (AVR)) 系統，能大幅減少震動。

3.5 功率級數指示燈

本鑿破機配備功率級數LED指示燈。
按下功率級數選擇開關，鑿孔功率可下降為約70%。功率級數LED燈會亮起，表示功率減低。

3.6 維修指示燈資訊

本鑿破機配備維修LED指示燈。

狀態	意義
維修指示燈亮起紅燈。	維修間隔結束 - 維修日期已到。 機具發生故障。
維修指示燈閃爍紅燈。	過熱防護斷電系統已啟動。 電源供應電壓過高。

請擇日將產品送至Hilti維修中心。這可確保產品的使用狀況。

3.7 配備及數量

鑿破機、側向握把、操作說明。
關於本產品，您可於當地www.hilti.group或網站查詢其他經過認證可搭配使用的系統產品：Hilti Store

4 技術資料

4.1 鑿破機

關於額定電壓、電流、頻率和 / 或輸入功率，請參照機具的特定國家型號識別牌。

如果裝置由發電機或變壓器供電，必須至少能提供兩倍於裝置額定銘板上標示的額定輸入值電力。發電機或變壓器的操作電壓必須隨時介於裝置額定電壓+5 %和-15 %以內。

	TE 1000-AVR
產品世代	02
重量 (依據EPTA程序01)	12.5 kg
單次衝擊力 (依據EPTA程序05)	26 J

4.2 噪音資訊及震動值

操作說明中所提供之音壓和震動值已參照標準測量，並可用來比較不同機具之噪音。它們也可作為噪音量的初步評估。

提供之資料表示機具主要應用時之數值。若機具應用於不同之用途，搭配不同的配件工具或在保養不良的情況下，其數據會有所不同。在作業過程中，這會大幅提高其噪音量。

當電子機具關閉，或開啟但未進行任何作業時也應列入考量，才能準確評估噪音量。在作業過程中，這會大幅降低其噪音量。



確認其他安全措施，以保護操作員不受噪音和 / 或震動影響，例如：保養機具與其配件工具、操作前保持雙手溫暖、作業型式之安排等。



關於在本處所使用EN 62841標準版本的詳細資訊，請查閱符合聲明之副本 182。

震動值

聲功率級數 (L_{WA})	96 dB(A)
無法判定的聲功率級數 (K_{WA})	3 dB(A)
釋放的音壓級數 (L_{pA})	88 dB(A)
無法判定的音壓級數 (K_{pA})	3 dB(A)

噪音資訊及震動值

鑿孔 ($a_{h, Cheq}$)	5.9 m/s ²
無法判定 (K)	1.5 m/s ²

5 操作

5.1 工作場所的準備工作

注意

有受傷的危險！產品意外放動。

- ▶ 在調整機具或變更配件前，請先拔除電源線。

請遵守本文件中與產品上的安全說明和警告。

5.1.1 安裝並調整側向握把

注意

有受傷的危險！無法掌控鑿破機。

- ▶ 檢查側向握把是否正確安裝且緊固。
- ▶ 安裝或調整側向握把。



您也必須遵守側向握把隨附的操作說明。

5.1.2 可拆式電源線

注意

有受傷的危險！因接點髒污的漏電流而造成。

- ▶ 只有在可拆式電力連接頭乾淨、乾燥且電源線未插入插座時，才能連接到機具。
- ▶ 連接 / 拔除可拆式電源線。

5.1.2.1 請連接可拆式電源線

注意

有受傷的危險！因接點髒污的漏電流而造成。

- ▶ 只有在可拆式電力連接頭乾淨、乾燥且電源線未插入插座時，才能連接到機具。

1. 將編碼、可拆式電子連接頭盡量推入機具中，直到聽見咬合聲。



我們建議始終將電線連接到裝置上，以保護工具/電纜接頭免受灰塵和濕氣的影響。只有在發生破損/損壞時才應斷開電線。

2. 將電源線插頭插入插座。

5.1.2.2 拔除可拆式電源線

1. 將電源線插頭自插座拔離。
2. 按下拆卸鈕，然後將含鍵齒、可拆式電子插頭連接頭從插座上拔出。



3. 將電源線連接頭從機具中取出。

5.1.3 安裝配件工具

1. 在配件工具的連接頭添加少量的潤滑劑。
2. 盡可能將配件工具推入夾具內，並施加些微壓力直到發出咬合的喀嗒聲。
 - ▶ 產品已可以使用。

限使用Hilti提供的建議潤滑劑。使用不適合的潤滑劑可能會造成產品損壞。

5.1.4 卸下配件工具

警告

有受傷的危險！使用中的配件工具會變熱且可能具備尖銳的邊緣。

- ▶ 更換機具時請配戴手套。

危險

有火災的危險！高溫配件工具和易燃物質接觸的危險。

- ▶ 不得將高溫的配件工具放置在易燃物質上。

1. 將夾頭拉回。
2. 卸下配件工具。

5.2 工作類型

注意

操作錯誤會有導致 損壞的危險！

- ▶ 操作時，請勿使用旋轉方向和 / 或功能選擇開關。

請遵守本文件中與產品上的安全說明和警告。

5.2.1 鑿孔



鑿子可調整在6種不同位置（每60°一段）。這樣便可確保扁鑿和各形狀的鑿子可以設定在最佳運作段位。

若壓力不足，鑿子會到處亂跳，無法控制。過度壓力的使用會造成鑿孔效能的損失。

1. 將電源線插頭插入插座。
2. 將鑿子放置在工件邊緣約80 -100 mm (3 1/8" - 4") 的位置。
3. 一開始，先將鑿子放置在與混凝土表面為70°到80°之間的角度，然後鑿子尖端指向工件邊緣處。在鑿子深入的同時，緩緩的將角度增至約90°將材料鑿穿。
 - ▶ 在鋼筋附近工作時，請務必將鑿子尖端往工件邊緣方向導引，而不是往鋼筋。
4. 定期旋轉鑿子以確保磨損平均且有助於促進自銳程序。

5.2.2 設定鑿孔功率

- ▶ 按下功率級數選擇開關。
 - ▶ 按下功率級數選擇開關，鑿孔功率可下降為約70%。



鑿孔功率僅在機具開啟且可以使用時才能調整。若要重新選擇全鑿孔功率，再按一次鑿孔功率級數選擇開關。關掉然後再開啟也會讓機具返回全鑿孔功率。

6 維護及保養

警告

觸電危險！電源線仍連接到電源插座時進行維護和保養會造成嚴重的傷害或灼傷。

- ▶ 進行維護及保養前，請務必拔下電源線。



注意

- 仔細清除機具的頑強灰塵。
- 請使用乾燥的刷子小心清潔通風口。
- 僅能使用微濕軟布清潔外殼。勿使用含硅樹脂的清潔或亮光劑，因為可能會造成塑膠零件損壞。

維護

警告

電擊的風險！ 損壞的電子零件會造成嚴重的人員傷害及灼傷。

▶ 機具或設備電力部分的維修僅可交由訓練過的電力專員處理。

- 定期檢查外部零件和控制元件有無損壞跡象，並確認它們運作正常。
- 如果有損壞跡象或任何零件功能故障，請不要操作本產品。請將產品立刻交付Hilti維修中心進行維修。
- 清潔及保養後，裝上所有防護套或保護裝置並檢查功能是否正常。

為確保操作的安全及可靠性，請務必使用原廠Hilti備件與耗材。要選購Hilti認可的備件、耗材和配件，請至Hilti Store或網站：www.hilti.group。

6.1 清潔防塵套

- ▶ 定期使用乾燥而清潔的布清潔夾頭上的防塵套。
- ▶ 請小心擦拭清潔其密封口，然後再稍微上Hilti潤滑油。
- ▶ 請特別注意，若密封口受到損壞，一定要更換防塵套。

7 搬運和貯放

- 搬運電子機具時請勿安裝配件。
- 貯放電子機具或設備前請務必將電源線拔掉。
- 請將工具與設備貯放在乾燥且兒童或未授權的人員無法觸及的地點。
- 長時間搬運與貯放後請檢查電子機具或設備是否有損壞。

8 故障排除

若您遇到未列出的問題或是無法自行排除的問題，請聯絡Hilti維修中心。

8.1 故障排除

故障	可能原因	解決方法
機具無法啟動。	電器初始化進行中（插電後約需4秒鐘）。電源中斷後電子重新啟動聯鎖裝置啟用。	▶ 關閉機具後再開啟。
	電源供應中斷。	▶ 插入另一電子機具或電器的插頭並檢查是否可啟動。
	發電機處於睡眠模式。	▶ 連接第二個電力消耗裝置（例如工作燈）至發電機上。將機具先關閉再開啟。
	可拆式電源線未正確安裝。	▶ 將可拆式電源線確實連上機具。
維修指示燈亮起紅燈。	機具發生錯誤或維修日期已到。	▶ 請務必將受損產品交付Hilti維修中心進行維修。
維修指示燈閃爍紅燈。	電源供應電壓過高。	▶ 使用不同的插座。檢查供電。
	過熱防護斷電系統已啟動。	▶ 讓機具冷卻。清潔通風口。在無負載下仍可運轉。
無鎚擊作業。	機具溫度太冷。	▶ 讓配件工具的尖端與工作面接觸，開啟旋轉鎚使之旋轉。如果需要，請重複此程序直到鎚擊機制開始運作。
機具無法達到全功率。	已啟動減低功率。	▶ 按下功率級數選擇開關（遵守功率級數指示器）。請拔下機具的電源插頭，然後重新插上。



故障	可能原因	解決方法
機具無法達到全功率。	延長線太長或口徑規格不足。	▶ 使用經認可的延長線及 / 或足夠的口徑。
	電源供應電壓過低。	▶ 連接機具至不同的電源。
鑿子無法從夾具上鬆開。	夾頭未完全拉回。	▶ 將夾頭拉回直到移除彈圈夾具為止。
機具在運轉時自行關閉。	過熱防護斷電系統已啟動。	▶ 讓機具冷卻。清潔通風口。在無負載下仍可運轉。

9 廢棄設備處置

Hilti機具或設備所採用的材料大部分均可回收再利用。材料在回收前必須正確地分類。在許多國家中，您可以將舊機具及設備送回Hilti進行回收。詳情請洽Hilti維修中心，或當地Hilti代理商。



- ▶ 不可將電動工具、電動裝置和電池當成一般垃圾丟棄！

10 RoHS (Richtlinie zur Beschränkung der Verwendung gefährlicher Stoffe)

下列連結可前往危險物質的表格：qr.hilti.com/r9672135。
您可在文件最後找到QR碼格式的RoHS表連結。

11 製造商保固

- ▶ 如果您對於保固條件有任何問題，請聯絡當地Hilti代理商。

Hilti Taiwan Co., Ltd.

24F., No. 16, Xinzhan Rd., Banqiao Dist., New Taipei City 220, Taiwan (R.O.C.)

Tel. 0800-221-036

原版操作说明

1 关于本操作说明的信息

1.1 关于本操作说明

- **警告！** 在使用本产品之前，请确保您已阅读并理解产品随附的操作说明，包括说明、安全和警告通知、插图和规格。尤其要熟悉所有说明、安全和警告通知、插图、规格、组件和功能。否则可能会导致触电、火灾和/或严重伤害的风险。保存操作说明，包括所有说明、安全和警告通知，以供以后使用。
- 产品经设计适用于专业用户，只有经过专门训练的授权人员才允许操作、维修和维护本产品。必须将任何可能的危险专门告知该人员。不按照说明使用或由未经培训的人员不正确地使用本产品及其辅助设备可能会带来危险。
- 随附的操作说明符合印刷时的最新技术水平。始终在 Hilti 产品页面上在线查找最新版本。为此，请点击这些操作说明中标有 符号的链接或二维码。
- 仅将产品连同本操作说明一起交给他人。

1.2 所用标志的说明

1.2.1 警告

警告是为了提醒您在使用此产品时会发生的危险。使用以下信号词：



危险！

- ▶ 用于让人们能够注意到会导致严重身体伤害或致命的迫近危险。



-警告-

警告！

▶ 用于提醒人们注意可能导致严重或致命伤害的潜在危险。

-小心-

小心！

▶ 用于提醒人们注意可能造成人身伤害、设备损坏或其他财产损失的潜在危险情况。

1.2.2 操作说明中的符号

本操作说明中使用下列符号：

	遵守操作说明
	使用说明和其他有用信息
	处理可回收材料
	不得将电气设备和电池作为生活垃圾处置

1.2.3 图示中的符号

图示中使用了下列符号：

	这些编号指本操作说明开始处的相应图示。
	图示中的编号表示重要的操作步骤或对操作步骤重要的部件。这些操作步骤或部件在文本中使用相应的编号突出显示，例如 (3)。
	位置编号被用于概览图中并表示产品概览段落中的图例编号。
	这些符号旨在提醒您在操作本产品时要特别注意的某些要点。

1.3 产品上的符号

1.3.1 产品上的符号

产品上使用下列符号：

	保护等级 II (双重绝缘)
--	----------------

2 安全

2.1 一般电动工具安全警告

警告 请阅读本电动工具随附的所有安全警告、说明、图示和技术规范。不遵守下列所有操作说明可能会导致电击、火灾和/或严重人身伤害。

请保存所有安全警告和操作说明，以供将来参考。

在所有下列的警告中术语“电动工具”指市电驱动(有线)电动工具或电池驱动(无线)电动工具。

工作区域安全

- ▶ 保持工作区域清洁和良好照明。杂乱和黑暗的区域容易导致事故。
- ▶ 不要在爆炸性环境中操作电动工具，例如有易燃液体、气体或灰尘。电动工具会产生可以点燃这些灰尘或烟雾的火花。
- ▶ 在操作电动工具时，要令儿童和旁观者远离工作现场。万一分心，可能会使您失去对电动工具的控制。

电气安全

- ▶ 电动工具(设备)插头必须匹配电源插座。切勿以任何方式改动插头。对于接地的电动工具(设备)，不要使用任何适配器插头。使用未经改动的插头和匹配的电源插座可以大大减少电击危险。
- ▶ 避免人体接触接地表面，如管道、散热片和冰箱。如果您的身体接地，则会增加电击危险。
- ▶ 不要将电动工具暴露在雨水或潮湿环境中。电动工具进水将会增加电击危险。
- ▶ 不要滥用电缆。切勿使用电缆运送、拉动或拔出电动工具。保持电缆远离高温、油、锋利边缘或运动部件。电缆损坏或缠绕会增加电击危险。



- ▶ 当在户外操作电动工具时，应使用经认可适合户外操作的加长电缆。使用适合户外使用的电缆可减少电击危险。
- ▶ 如果在潮湿环境下操作电动工具是不可避免的，应使用剩余电流动作保护器 (RCD)。使用 RCD 可减小电击危险。

人身安全

- ▶ 保持警觉，注意您正在进行的工作，并在操作电动工具的过程中，应利用自己的判断能力。当您疲劳或受到药物、酒精或医疗影响时，请不要使用电动工具。当操作电动工具时，瞬间的分心都可能导致严重的人身伤害。
- ▶ 使用个人防护装备。一定要戴上护目装置。安全装置，诸如适当条件下使用防尘面具、防滑安全鞋、安全帽、听力防护等装置能减少人身伤害。
- ▶ 防止电动工具意外启动。在连接至电源和/或电池组、拿起或搬运电动工具之前，应确保开关处于“关闭”位置。将手指放在开关上搬运电动工具或在开关处于“打开”位置时接通电源，都可能会导致事故发生。
- ▶ 在打开电动工具之前，必须拿掉任何调整键或扳手。让扳手或调整键留在电动工具的旋转部件上可能会导致人身伤害。
- ▶ 不要操之过急。应时刻保持正确的站姿和平衡。这在意外情况下能够更好地控制电动工具。
- ▶ 应确保正确着装。不要穿着松垮的衣服或佩戴首饰。让头发和衣服远离运动部件。松垮的衣服、首饰或长发会卡在运动部件中。
- ▶ 如果提供有用于连接除尘和集尘设施的装置，应确保将它们连接好并正确使用。使用除尘装置可以减少与灰尘相关的危险。
- ▶ 经常使用工具能令您获得较高的熟练度，但不能因此掉以轻心和忽视工具安全准则。一次不慎操作就会在瞬间导致重伤。

电动工具的使用和维护

- ▶ 不要强制使用电动工具。针对您的应用场合使用正确的电动工具。正确的电动工具在其额定设计值范围内将能够更好和更安全地工作。
- ▶ 如果通过开关不能使其打开和关闭，则请不要使用电动工具。任何不能通过开关进行控制的电动工具都是危险的，必须对其进行修理。
- ▶ 在进行任何调整、更换配件或存放电动工具之前，应从电源上断开插头和/或从电动工具上拆下电池组 (若可拆卸)。此预防性安全措施可减少意外启动电动工具的危险。
- ▶ 将不用的电动工具存放在儿童拿不到的地方，并且不要让不熟悉电动工具或其操作说明的人员操作电动工具。未经培训的用户操作电动工具是危险的。
- ▶ 维护电动工具和配件。检查是否存在运动部件失调或卡滞、部件断裂和任何其它影响电动工具操作的情况。如果存在损坏，则在使用之前应修理电动工具。许多事故都是由于电动工具维护不良造成的。
- ▶ 保持切削工具锋利和清洁。带锋利切削刃的切削工具如果维护得当，很少会发生卡滞且更容易控制。
- ▶ 按照使用说明书，考虑作业条件和进行的作业来使用电动工具、附件和工具的刀头等。将电动工具用于指定用途以外的场合会导致危险。
- ▶ 使手柄和抓握面保持干燥、清洁且没有油脂。如果手柄和抓握面打滑，将无法在意外情况下安全操作或控制本工具。

保养

- ▶ 将您的电动工具送交专业维修人员，使用同样的备件进行修理。这样才能确保维持电动工具 (设备) 的安全性。

2.2 锤子安全说明

适用于所有作业类型的安全说明

- ▶ 戴上护耳装置。如果直接暴露在噪音中，则会导致听力受损。
- ▶ 使用随工具提供的辅助手柄。对工具失去控制可能会导致人身伤害。
- ▶ 执行配套工具可能接触到隐藏线束或其自带电缆的操作时，应通过绝缘的抓握面握住电动工具。如果配套工具接触到带电电线，电动工具的金属部件也将带电，从而导致电击。

2.3 附加的安全说明

人身安全

- ▶ 只有产品处于良好的技术状态时才能使用。
- ▶ 不得以任何方式滥用或改动本设备。
- ▶ 当使用设备时，用户和附近其他人员都必须戴上适当的护目镜、安全帽、防护手套和防护鞋。
- ▶ 由于配套工具在使用过程中会发热，因此在更换时应戴上防护手套。
- ▶ 在需要穿透的待加工工件的对侧采取适当的安全措施。被钻下的工件部分可能会弹出或掉落并伤害到其他人。



- ▶ 检查并确认侧面手柄已正确安装和可靠固定。请务必用双手通过提供的把手握住电动工具。保持把手干燥、清洁和没有油脂。
- ▶ 工作间隙抽时间休息并做体育锻炼，改善手指的血液循环状况。工作期间长时间暴露于振动环境中可能导致手指、手掌和手腕部位血管和神经系统紊乱。
- ▶ 本工具不能让未接受专门培训的身体虚弱的成人使用。
- ▶ 将电动工具放到儿童接触不到的地方。
- ▶ 在开始工作之前，应测定工作时会产生的粉尘的危险等级。使用具有官方认可防护等级的工业真空吸尘器，并遵守当地适用的粉尘防护规定。
- ▶ 尽可能使用除尘系统和适当的真空吸尘器。一些材料产生的粉尘（例如含铅油漆、某些类型的木材以及含有石英、矿物或金属的混凝土/砖石/石块）可能对人体健康有害。
- ▶ 确保工作场所通风良好，必要时佩戴适用于产生的灰尘类型的呼吸器。接触或吸入这些灰尘可能会导致操作者或旁观者出现过敏反应和/或呼吸疾病或其他疾病。某些种类的灰尘还属于致癌物质，例如橡木和山毛榉木灰尘，特别是在带木材调节添加剂（铬酸盐、木材防腐剂）时。含石棉的材料只能由专业人员进行处理。
- ▶ 在开始工作之前，必须获得现场工程师或建筑师的批准。在建筑物和其它结构上工作可能会影响结构的静力学，特别是当锯穿钢筋或承载部件时。

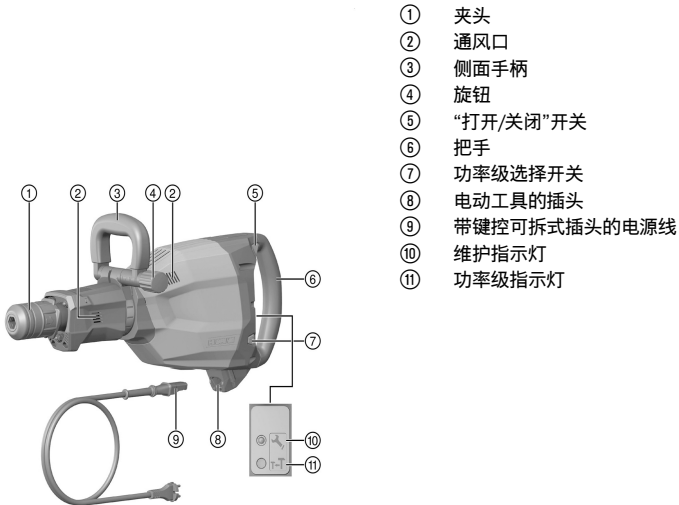
电气安全

- ▶ 开始工作之前，检查工作区域是否有隐蔽的电缆或天然气和水管。如果您意外损坏了电缆，电动工具的外部金属部件可能带电，带来电击风险。
- ▶ 定期检查电动工具的电源线，如果发现损坏，则让有资格的专业人员进行更换。如果本电动工具的电源线损坏，则必须将其更换为认可的特制电源线，该电源线由喜利得客户服务部门提供。定期检查加长电缆，如果发现损坏，则更换它们。在工作时，不要接触已损坏的电源线或加长电缆。从电源插座上拔掉电源线插头。损坏的电源线或加长电缆会导致电击危险。
- ▶ 应定期到 **Hilti** 维修中心对频繁用于加工导电材料的脏污或多尘电动工具进行检查。在不利条件下，吸附到电动工具表面的灰尘（特别是导电材料产生的灰尘）或湿气会导致电击危险。
- ▶ 如果供电电源发生故障或中断，则应关闭电动工具并拔下电源线。这可防止供电恢复时电动工具意外重启。



3 说明

3.1 产品概述



- ① 夹头
- ② 通风口
- ③ 侧面手柄
- ④ 旋钮
- ⑤ “打开/关闭”开关
- ⑥ 把手
- ⑦ 功率级选择开关
- ⑧ 电动工具的插头
- ⑨ 带键控可拆式插头的电源线
- ⑩ 维护指示灯
- ⑪ 功率级指示灯

3.2 预期用途

所述产品是用于重型凿边工作的电动破碎机。

它设计用于破碎和去除混凝土、砖石建筑、石头和沥青。

► 只有当相连电源的电压和频率符合电动工具标牌上的给定信息时，才能操作本电动工具。

3.3 可能的误用

该产品不适用于加工危险材料。

该产品不适用于在潮湿环境下工作。

3.4 Active Vibration Reduction (AVR)

破碎机配备有 Active Vibration Reduction (AVR) 系统，其可明显减小振动。

3.5 功率级指示灯

破碎机配备了一个功率级指示灯 LED。

通过按下功率级选择开关可将凿边功率降低至大约 70%。功率级 LED 随后亮起，指示降低了功率。

3.6 维护指示灯信息

破碎机配备了一个维护指示灯 LED。

状态	含义
维护指示灯呈红色亮起。	维护间隔周期结束 - 到了该进行维护的时候。 工具已经发生故障。



状态	含义
维护指示灯呈红色闪烁。	过热保护切断功能已经启动。 电源提供的电压太高。

将产品及时送至 **Hilti** 维修中心。这有助于确保产品始终处于就绪状态。

3.7 供应的部件

破碎机、侧面手柄、操作说明。

经批准可以与本产品搭配使用的其它系统产品，可以在您当地的 **www.hilti.group** 购买或访问 **Hilti Store** 在线订购

4 技术数据

4.1 破碎机

有关额定电压、电流、频率和/或输入功率的详细信息，请参见各国特定的电动工具铭牌。

当通过发电机或变压器为设备供电时，发电机或变压器的输出功率必须至少达到本设备铭牌上显示的额定输入功率的两倍。变压器或发电机的工作电压必须始终保持在设备额定电压 +5% 和 -15% 的范围内。

	TE 1000-AVR
产品代号	02
重量 (按照 EPTA 程序 01)	12.5 kg
单次冲击能量 (按照 EPTA 标准 05)	26 J

4.2 噪声信息和振动值

这些说明中给出的声压和振动值按照标准化测试的要求测得，可用于比较一种电动工具与另一种电动工具。它们还可用于初步评价受振动影响的程度。

提供的数据代表本电动工具的主要应用。但是，如果将电动工具用于不同的应用、使用不同的配套工具或维护不良，则数据可能不同。这可能会显著增加操作者在整个工作期间受振动影响的程度。

对受振动影响程度的准确估计还应考虑当关闭电动工具或当它运行但实际未进行工作时的情况。这可能会显著减小操作者在整个工作期间受振动影响的程度。

此外，应确定附加安全措施，以保护操作者免受噪音和/或振动影响，例如：正确维护电动工具和配套工具、保持双手温暖、制订合理的工作计划等。

关于此处所使用的 **EN 62841** 标准版本的详细信息，请查看符合性声明图示 182。

噪声排放值

声 (功率) 级 (L_{WA})	96 dB(A)
声音功率级的不确定性 (K_{WA})	3 dB(A)
排放声压级 (L_{pA})	88 dB(A)
声压级的不确定性 (K_{pA})	3 dB(A)

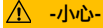
噪声信息和振动值

凿边 ($a_{h, Cheq}$)	5.9 m/s ²
不确定性 (K)	1.5 m/s ²



5 操作

5.1 工作现场的准备工作



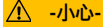
-小心-

人身伤害的危险！产品意外启动。

- ▶ 对电动工具进行任何调节前或更换配件前，先拔出电源线插头。

请遵守本文档中以及产品上的安全说明和警告。

5.1.1 安装和调节侧面手柄



-小心-

人身伤害的危险！失去对破碎机的控制。

- ▶ 检查并确认侧面手柄已正确安装和可靠固定。

- ▶ 安装或调节侧面手柄。



必须遵守侧面手柄上提供的说明。

5.1.2 可拆卸电源线



-小心-

人身伤害的危险！触点变脏可能导致漏电！

- ▶ 只有当可拆卸插头清洁、干燥且电源线从插座内拔出时，才能将可拆卸插头插入电动工具中。

- ▶ 连接/断开可拆卸电源线。

5.1.2.1 连接可拆卸供电电缆



-小心-

人身伤害的危险！触点变脏可能导致漏电！

- ▶ 只有当可拆卸插头清洁、干燥且电源线从插座内拔出时，才能将可拆卸插头插入电动工具中。

1. 将可拆卸式键控电插头在插座中插到底，直到听到其接合的声音。



我们建议始终将电缆固定在设备上，以防灰尘和湿气进入工具/电缆接口。仅在电缆断裂/损坏时将其拔下。

2. 将电源线插头插入电源插座。

5.1.2.2 断开可拆卸电源线

1. 从电源插座上拔掉电源线插头。
2. 按下释放按钮，从插座中拔出带钥匙的可拆卸式电插头。
3. 从电动工具上拉出电源线插头。

5.1.3 安装配套工具

1. 在配套工具的连接端涂抹少量润滑脂。
2. 将配套工具推入夹头中并推到底，转动并施加轻微的压力，直至听到其接合时发出“咔哒”的声音。
 - ▶ 本产品处于备用状态。



请仅使用 Hilti 提供的推荐润滑脂。使用不合适的润滑脂可能会损坏本产品。

5.1.4 拆卸配套工具



-警告-

人身伤害的危险！使用期间配套工具会变热，也会有锋利边缘。

- ▶ 更换工具时，戴上防护手套。



⚠ -危险-

着火危险！存在高温配套工具与高度易燃材料接触的风险。

- ▶ 不要将高温配套工具放到高度易燃材料上。

1. 向后拉动夹头。
2. 拆卸配套工具。

5.2 工作类型**⚠ -小心-**

损坏风险 由错误操作引起！

- ▶ 不得在运行期间操作旋转方向和/或功能选择开关。

请遵守本文档中以及产品上的安全说明和警告。

5.2.1 凿边

可以将凿子调整至 6 个不同位置 (以 60° 为增量)。这样可确保总是可以将平头和成形凿子设置到最佳工作位置。

如果施加的压力不足，则凿子将会不受控制地跳动。如果施加的压力过大，则将会导致凿边性能损失。

1. 将电源线插头插入电源插座。
2. 使凿子接近工件至距离工件边缘约 80 - 100 mm (3¹/₈" - 4")。
3. 在凿子与混凝土表面成 70° 至 80° 时开始工作，并令凿子的尖端朝向工件边缘。随着凿子深入，逐渐将这一角度增加到 90° 左右使材料破碎。
 - ▶ 在钢筋附近工作时，应始终将凿子的尖端引向工件的边缘，而非引向钢筋。
4. 定时旋转凿子，帮助确保均匀的磨损并改进自磨工艺。

5.2.2 设置凿边功率

- ▶ 按下功率级选择开关。
 - ▶ 通过按下功率级选择开关可将凿边功率降低至大约 70%。



仅当电动工具已打开且做好使用准备时，才可调整凿边功率。要重新选择全凿边功率，可再次按下凿边功率级选择开关。关闭然后打开也会使电动工具回到全凿边功率。

6 维护和保养**⚠ -警告-**

电击危险！如果试图在电源线连接电源插座的情况下执行保养和维护，则会导致严重受伤和烫伤。

- ▶ 执行维护和保养任务之前，请务必拔下电源线。

保养

- 小心地清除工具上的顽固污渍。
- 使用干燥的刷子小心清洁通风孔。
- 请仅使用略湿的布清洁壳体。不要使用含硅清洁剂，否则可能腐蚀塑料件。

维护**⚠ -警告-**

电击危险！电气部件的不当维修会造成包括灼伤在内的严重人身伤害。

- ▶ 工具或设备的电气系统只能由受过培训的电气专业人员进行维修。
- 定期检查所有可见部件和控制器是否出现损坏迹象，确保其全部正常工作。
- 如果发现损坏迹象或如果有部件发生故障，不要操作本产品。立即将产品交由 Hilti 维修中心修复。
- 清洁和维护之后，安装所有护板或保护装置，检查并确认其正常工作。



为确保安全和可靠的操作，仅限使用 Hilti 原装备件和消耗品。Hilti 批准用于配合产品使用的备件、消耗品和配件可到您当地的 Hilti Store 购买或通过以下网址在线订购：www.hilti.group。



6.1 清洁防尘罩

- ▶ 使用干燥、干净的抹布定期清洁夹头上的防尘罩。
- ▶ 小心地擦拭密封唇以对其进行清洁，然后再次用 Hilti 润滑脂轻轻地对其进行润滑。
- ▶ 当密封唇损坏时，必须更换防尘罩。

7 运输和存放

- 运输电动工具时不得安装配套工具。
- 储存电动工具或设备之前，必须拔掉电源线。
- 将工具和设备存放在儿童或非授权人员无法接近的干燥位置。
- 经过长时间的运输或储存后，检查电动工具或设备是否损坏。

8 故障排除

如果您碰到的问题未在此表中列出或您无法自己实施补救措施，请联系 Hilti 服务部门。

8.1 故障排除

故障	可能原因	解决方案
电动工具不启动。	正在进行电子设备初始化(连接电源后需要 4 秒钟)。在电源中断之后电子重新启动联锁装置启动。	▶ 关闭电动工具然后再次打开。
	电源中断。	▶ 接上另一电动工具或设备并检查它是否工作。
	发电机处于睡眠模式。	▶ 通过连接另一个耗电产品(例如,工作灯)给发电机施加负载。关闭工具然后再次打开。
	可拆卸电源线没有正确连接。	▶ 将可拆卸电源线正确连接至电动工具。
维护指示灯呈红色亮起。	工具有故障或保养到期。	▶ 仅限将本产品交由 Hilti 维修中心修复。
维护指示灯呈红色闪烁。	电源提供的电压太高。	▶ 使用不同的电源输出口。检查电源。
	过热保护切断功能已经启动。	▶ 让工具冷却下来。清洁通风孔。仍可在空载状态下运行。
没有锤击作用。	电动工具过冷。	▶ 使配套工具尖接触到工作面,打开电动工具并使其运转。必要时,重复该步骤,直到锤击机构开始工作。
工具不能达到全功率。	功率降低功能启用。	▶ 按下功率级选择开关(观察功率级指示灯)。将电动工具插头从电源上拔出,然后重新插回。
	加长电缆过长或其截面积不足。	▶ 使用具有许可长度和/或足够截面积的加长电缆。
	电源提供的电压太低。	▶ 将电动工具连接到另一个适当电源。
凿子不能从夹头上释放。	夹头未完全向后拉回。	▶ 将夹头尽量向后拉动,然后拆下插入工具。
电动工具在运行期间自动关闭。	过热保护切断功能已经启动。	▶ 让工具冷却下来。清洁通风孔。仍可在空载状态下运行。

9 废弃处置

大部分用于 Hilti 工具和设备生产的材料是可回收利用的。在可以回收之前，必须正确分离材料。在很多国家，您的旧工具、机器或设备可送至 Hilti 进行回收。敬请联系 Hilti 服务部门或您的喜利得公司代表获得更多信息。





-
- ▶ 不要将电动工具、电子设备和电池扔进家庭垃圾中！
-

10 RoHS (Richtlinie zur Beschränkung der Verwendung gefährlicher Stoffe)

您可通过以下链接跳转至危险物质表：qr.hilti.com/r9672135。
您将在本文档末尾找到指向 RoHS 表格的链接 (二维码形式)。

11 制造商保修

- ▶ 如对保修条件有任何疑问，请联系您当地的 Hilti 代表。





<http://qr.hilti.com/r9672135>

en Declaration of conformity

Declaration of conformity

The manufacturer declares, on his sole responsibility, that the product described here complies with the applicable legislation and standards.

The technical documentation is filed here:

Hilti Entwicklungsgesellschaft mbH | Tool Certification | Hiltistrasse 6 | D-86916 Kaufering, Germany

Product information

Breaker	TE 1000-AVR
Generation	02
Serial no.	1-99999999999

Option: Details on 2000/14/EG

Details on 2000/14/EG:

Measured sound power level (L_{WA}): 96 dB(A)
Guaranteed sound power level ($L_{WA,G}$): 99 dB(A)
Conformity assessment procedure in accordance with Annex VI
Notified body No. 0044: TÜV NORD CERT GmbH, Am TÜV 1, 45307 Essen, Germany

fr Déclaration de conformité

Déclaration de conformité

Le fabricant déclare sous sa seule et unique responsabilité que le produit décrit ici est conforme aux directives et normes en vigueur.

Pour obtenir les documentations techniques, s'adresser à :

Hilti Entwicklungsgesellschaft mbH | Zulassung Geräte | Hiltistraße 6 | 86916 Kaufering, DE

Caractéristiques produit

Burineur	TE 1000-AVR
Génération	02
N° de série	1-99999999999

Option: Détails sur 2000/14/EG

Détails sur 2000/14/EG:

Niveau de puissance acoustique mesuré (L_{WA}): 96 dB(A)
Niveau de pression acoustique garanti ($L_{WA,G}$): 99 dB(A)
Procédure d'évaluation de la conformité conformément à l'annexe VI
Organisme de contrôle désigné n° 0044 : TÜV NORD CERT GmbH, Am TÜV 1, 45307 Essen, Germany

da Overensstemmelseserklæring

Overensstemmelseserklæring

Producenten erklærer som eneansvarlig, at det her beskrevne produkt er i overensstemmelse med gældende lovgivning og gældende standarder.

Den tekniske dokumentation er arkiveret her:

Hilti Entwicklungsgesellschaft mbH | Zulassung Geräte | Hiltistraße 6 | 86916 Kaufering, DE

Produktoplysninger

Mejselhammer	TE 1000-AVR
Generation	02
Serienummer	1-99999999999



Ekstratilhjør: Nærmere oplysninger om 2000/14/EG

Nærmere oplysninger om 2000/14/EG:

Målt lydeffektniveau (L_{WA}): 96 dB(A)
Garanteret lydeffektniveau (L_{WAd}): 99 dB(A)
Vurderingsproces for konformitet i henhold til bilag VI
Notificeret kontrolorgan nr. 0044: TÜV NORD CERT GmbH, Am TÜV 1, 45307 Essen, Germany

sv Försäkran om överensstämmelse

Försäkran om överensstämmelse

Härmed intygar tillverkaren med ensamt ansvar att produkten som beskrivs överensstämmer med gällande lagstiftning och standarder.

Den tekniska dokumentationen finns sparad här:

Hilti Entwicklungsgesellschaft mbH | Zulassung Geräte | Hiltistraße 6 | 86916 Kaufering, Tyskland

Produktdetaljer

Mejselhammare	TE 1000-AVR
Generation	02
Serienr	1-99999999999

Alternativ: Detaljer för 2000/14/EG

Detaljer för 2000/14/EG:

Uppmätt ljudeffektnivå (L_{WA}): 96 dB(A)
Tillåten ljudeffektnivå (L_{WAd}): 99 dB(A)
Förfarande för bedömning av överensstämmelse enligt bilaga VI
Anmält kontrollorgan nr 0044: TÜV NORD CERT GmbH, Am TÜV 1, 45307 Essen, Germany

no Samsvarserklæring

Samsvarserklæring

Produsenten erklærer under sitt eneansvar at produktet som er beskrevet her, oppfyller kravene i gjeldende lovgivning og er i samsvar med gjeldende standarder.

Den tekniske dokumentasjonen er lagret her:

Hilti Entwicklungsgesellschaft mbH | Zulassung Geräte | Hiltistraße 6 | 86916 Kaufering, DE

Produktopplysninger

Meiselhammer	TE 1000-AVR
Generasjon	02
Serienummer	1-99999999999

Ekstrautstyr: Opplysninger om 2000/14/EG

Opplysninger om 2000/14/EG:

Målt lydeffektnivå (L_{WA}): 96 dB(A)
Garantert lydeffektnivå (L_{WAd}): 99 dB(A)
Metode for vurdering av samsvar iht. Vedlegg VI
Meldt kontrollorgan nr. 0044: TÜV NORD CERT GmbH, Am TÜV 1, 45307 Essen, Germany

fi Vaatimustenmukaisuusvakuutus

Vaatimustenmukaisuusvakuutus

Valmistaja vakuuttaa, että tässä kuvattu tuote täyttää sitä koskevien voimassa olevien lakien ja standardien vaatimukset.

Tekninen dokumentaatio löytyy tästä:

Hilti Entwicklungsgesellschaft mbH | Zulassung Geräte | Hiltistraße 6 | 86916 Kaufering, DE

Tuotetiedot

Piikkausvasara	TE 1000-AVR
----------------	-------------



2190682

Deutsch

177

Sukupolvi	02
Sarjanumero	1-99999999999

Vaihtoehto: Yksityiskohdat liittyen 2000/14/EG

Yksityiskohdat liittyen 2000/14/EG:

Mitattu äänitehotaso (L_{WA}): 96 dB(A)
Taattu äänitehotaso ($L_{WA,d}$): 99 dB(A)
Vaatimustenmukaisuuden arviointimenettely liitteen VI mukaisesti Nimetty tarkastuslaitos nro 0044: TÜV NORD CERT GmbH, Am TÜV 1, 45307 Essen, Germany

ru Декларация соответствия нормам**Декларация соответствия нормам**

Настоящим фирма-изготовитель с полной ответственностью заявляет, что данное изделие соответствует действующим директивам и нормам.

Техническая документация (оригиналы) хранится здесь:

Hilti Entwicklungsgesellschaft mbH | Zulassung Geräte | Hiltistraße 6 | 86916 Kaufering, Германия

Указания к изделию

Отбойный молоток	TE 1000-AVR
Поколение	02
Серийный №	1-99999999999

Опция: Подробнее о 2000/14/EG

Подробнее о 2000/14/EG

Измеренный уровень звуковой мощности (L_{WA}): 96 дБ(А)
Гарантированный уровень звуковой мощности ($L_{WA,d}$): 99 дБ(А)
Процедура оценки соответствия согласно приложению VI Уполномоченный орган контроля № 0044: TÜV NORD CERT GmbH, Am TÜV 1, 45307 Essen, Germany

tr Uygunluk beyanı**Uygunluk beyanı**

Üretici burada tanımlanan ürünün geçerli yasalara ve standartlara uygun olduğunu kendi sorumluluğunda beyan eder.

Техник dokümantasyonlar eklidir:

Hilti Entwicklungsgesellschaft mbH | Zulassung Geräte | Hiltistraße 6 | 86916 Kaufering, DE

Ürün bilgileri

Keski tabancası	TE 1000-AVR
Nesil	02
Seri no.	1-99999999999

Seçenek: Detaylar için 2000/14/EG yönetmeliğine bakınız

Detaylar için 2000/14/EG yönetmeliğine bakınız:

Ölçülen ses gücü seviyesi (L_{WA}): 96 dB(A)
Garanti edilen ses gücü seviyesi ($L_{WA,d}$): 99 dB(A)
Ek VI uyarınca uygunluk değerlendirme prosedürü Onaylanmış test merkezi no. 0044: TÜV NORD CERT GmbH, Am TÜV 1, 45307 Essen, Germany



بيان المطابقة

تعلن الجهة الصانعة على مسؤوليتها وحدها بأن المنتج المشروح هنا يتوافق مع التشريعات والمعايير المعمول بها.

المستندات الفنية محفوظة هنا:

Hilti Entwicklungsgesellschaft mbH | Zulassung Geräte | Hiltistraße 6 | 86916 Kaufering, DE

بيانات المنتج

الإزميل الدقاق	TE 1000-AVR
الجيل	02
الرقم المسلسل	9999999999-1

خيار: التفاصيل الخاصة بـ 2000/14/EG

التفاصيل الخاصة بـ 2000/14/EG:

مستوى شدة الصوت المقاس للجهاز (L _{WA}): 96 ديسيبل (A)
مستوى قوة الصوت المضمون (L _{WA}): 99 ديسيبل (A)
إجراءات تقييم المطابقة وفقاً للملحق السادس هيئة الاختبار المعينة رقم 0044: TÜV NORD CERT GmbH, Am TÜV 1, 45307 Essen, Germany



lv Atbilstības deklarācija**Atbilstības deklarācija**

Ražotājs, uzņemoties pilnu atbildību, apliecina, ka šeit aprakstītais izstrādājums atbilst spēkā esošo tiesību aktu un standartu prasībām.

Tehnisko dokumentāciju glabā:

Hilti Entwicklungsgesellschaft mbH | Zulassung Geräte | Hiltistraße 6 | 86916 Kaufering, DE

Izstrādājuma dati

Atskaldāmais āmurs	TE 1000-AVR
Paaudze	02
Sērijas Nr.	1-99999999999

Opcija: Sīkāka informācija par 2000/14/EG

Sīkāka informācija par 2000/14/EG:

Izmērītais trokšņa jaudas līmenis (L_{WA}): 96 dB(A)
Garantētais skaņas jaudas līmenis ($L_{WA,d}$): 99 dB(A)
Atbilstības novērtējuma metode saskaņā ar VI pielikumu
Paziņotā pārbaudes iestāde Nr. 0044: TÜV NORD CERT GmbH, Am TÜV 1, 45307 Essen, Germany

it Atitikties deklarācija**Atitikties deklarācija**

Gamintojas prišimdamas visā atsakomybę pareiškia, kad čia aprašytas prietaisas atitinka galiojančių įstatymų ir standartų reikalavimus.

Techninė dokumentacija saugoma čia:

Hilti Entwicklungsgesellschaft mbH | Zulassung Geräte | Hiltistraße 6 | 86916 Kaufering, DE

Prietaiso duomenys

Kirstuvas	TE 1000-AVR
Karta	02
Serijos Nr.	1-99999999999

Papildomai užsakoma įranga: Išsamiau apie 2000/14/EG

Išsamiau apie 2000/14/EG:

Išmatuotas garso stiprumo lygis (L_{WA}): 96 dB(A)
Garantuotas garso stiprumo lygis ($L_{WA,d}$): 99 dB(A)
Atitikties vertinimo procedūra pagal VI priedą
Paskelbtoji tikrinimo institucija Nr. 0044: TÜV NORD CERT GmbH, Am TÜV 1, 45307 Essen, Germany

et Vastavusdeklaratsioon**Vastavusdeklaratsioon**

Seadme tootja kinnitab ainuvastutajana, et käesolevas kasutusjuhendis kirjeldatud seade vastab kehtivatele õigusaktide nõuetele ja kehtivatele standarditele.

Tehnilised dokumendid on saadaval:

Hilti Entwicklungsgesellschaft mbH | Zulassung Geräte | Hiltistraße 6 | 86916 Kaufering, DE

Tooteinfo

Piikvasar	TE 1000-AVR
Põlvkond	02
Seerianumber	1-99999999999



Valik: 2000/14/EG üksikasjad

2000/14/EG üksikasjad:

Mõõdetud helivõimsustase (L_{WA}): 96 dB(A)
Garanteeritud helivõimsuse tase ($L_{WA,d}$): 99 dB(A)
Vastavuse hindamismeetod vastavalt VI lisale
Teavitatud asutus nr 0044: TÜV NORD CERT GmbH, Am TÜV 1, 45307 Essen, Germany

uk Сертифікат відповідності

Сертифікат відповідності

Виробник зі всією належною відповідальністю заявляє, що описаний у цьому документі інструмент відповідає чинному законодавству і стандартам.

Технічна документація зазначена нижче:

Hilti Entwicklungsgesellschaft mbH | Zulassung Geräte | Hiltistraße 6 | 86916 Kaufering, DE

Інформація про інструмент

Відбійний молоток	TE 1000-AVR
Версія	02
Серійний номер	1-99999999999

Параметр: Докладна інформація щодо 2000/14/EG

Докладна інформація щодо 2000/14/EG:

Вимірний рівень шумової потужності (L_{WA}): 96 дБ(А)
Гарантований рівень шумової потужності ($L_{WA,d}$): 99 дБ(А)
Процес оцінювання відповідності – згідно з додатком VI
Призначений експертний орган № 0044: TÜV NORD CERT GmbH, Am TÜV 1, 45307 Essen, Germany

kk Сәйкестік декларациясы

Сәйкестік декларациясы

Өндіруші осы нұсқаулықта сипатталған өнімнің қолданыстағы заңнамаға және қолданыстағы стандарттарға сәйкес екендігін толық жауапкершілікпен жариялайды.

Техникалық құжаттама мына жерде сақталған:

Hilti Entwicklungsgesellschaft mbH | Zulassung Geräte | Hiltistraße 6 | 86916 Kaufering, DE

Өнім туралы мәліметтер

Қашайтын балға	TE 1000-AVR
Буын	02
Сериялық нөмір	1-99999999999

Опция: 2000/14/EG бойынша мәліметтер

2000/14/EG бойынша мәліметтер:

Өлшенген шу деңгейі (L_{WA}): 96 дБ(А)
Кепілді дыбыстық қуат деңгейі ($L_{WA,d}$): 99 дБ(А)
VI қосымша бойынша сәйкестікті бағалау процедуралары
Белгіленген сынақ органы № 0044: TÜV NORD CERT GmbH, Am TÜV 1, 45307 Essen, Germany

ja 適合宣言

適合宣言

製造者は、単独の責任において本書で説明している製品が有効な法規と有効な標準規格に適合していることを宣言します。

技術資料は本書の後続の頁に記載されています：

Hilti Entwicklungsgesellschaft mbH | Zulassung Geräte | Hiltistraße 6 | 86916 Kaufering, DE

製品データ

電動ハツリ機	TE 1000-AVR
--------	-------------



2190682

Deutsch

181

製品世代	02
製造番号	1-99999999999

オプション: 2000/14/EG についての詳細

2000/14/EG についての詳細 :

サウンドパワーレベル(測定値) (L_{WA}): 96 dB(A)
サウンドパワーレベル(保証値) ($L_{WA,d}$): 99 dB(A)
添付資料 VI に準拠した適合性の評価手続き 指定の検査所 No. 0044: TÜV NORD CERT GmbH, Am TÜV 1, 45307 Essen, Germany

ko 적합성 선언

적합성 선언

본 제조사는 단독 책임 하에 여기에 기술된 제품이 통용되는 법 규정 및 규범과 일치함을 밝힙니다. 기술 문서는 이곳에 기술되어 있습니다.

Hilti Entwicklungsgesellschaft mbH | Zulassung Geräte | Hiltistraße 6 | 86916 Kaufering, DE

제품 제원

브레이커	TE 1000-AVR
세대	02
일련 번호	1-99999999999

음선: 2000/14/EG 관련 세부 사항

2000/14/EG 관련 세부 사항

측정된 소음 수준 (L_{WA}): 96dB(A)
허용 소음 수준 ($L_{WA,d}$): 99dB(A)
부록 VI에 따른 적합성 평가 절차 공인 평가 기관 번호 0044: TÜV NORD CERT GmbH, Am TÜV 1, 45307 Essen, Germany

zh 符合聲明

符合聲明

基於製造商唯一的責任，本公司在此聲明本產品符合適用法規及標準。

技術文件已歸檔：

Hilti Entwicklungsgesellschaft mbH | Tool Certification | Hiltistrasse 6 | D-86916 Kaufering, Germany

產品資訊

鑿破機	TE 1000-AVR
產品代別	02
序號	1-99999999999

選配: 2000/14/EG詳細資訊

2000/14/EG詳細資訊：

測得的聲功率級數 (L_{WA}): 96 dB(A)
保證的聲功率級數 ($L_{WA,d}$): 99 dB(A)
符合性評估程序係根據附錄六 指定測試機構編號0044：TÜV NORD CERT GmbH, Am TÜV 1, 45307 Essen, Germany

cn 符合性声明

符合性声明

制造商全权负责声明，此处所述及的产品符合现行法规和标准。

技术文档在此处归档：

Hilti Entwicklungsgesellschaft mbH | Tool Certification | Hiltistrasse 6 | 86916 Kaufering, Germany



产品信息

破碎机	TE 1000-AVR
代次	02
序列号	1-9999999999

选装件: 2000/14/EG 详细信息

2000/14/EG 详细信息 :

测得的声功率级 (L _{WA}): 96 dB(A)
授予的声功率级 (L _{WA,G}): 99 dB(A)
按照附件 VI 的符合性评定程序 指定测试机构编号 0044 : TÜV NORD CERT GmbH, Am TÜV 1, 45307 Essen, Germany

Hilti Corporation
Feldkircherstraße 100
9494 Schaan | Liechtenstein
TE 1000-AVR (02)



2006/42/EC
2014/30/EU
2011/65/EU
2000/14/EC

EN 62841-1:2015, AC:2015, A11:2022
EN IEC 55014-1:2021
EN IEC 61000-3-2:2019, A1:2021

EN IEC 62841-2-6:2020/A11:2020
EN IEC 55014-2:2021
EN 61000-3-3:2013, A1:2019, A2:2021, A2:2021/AC:2022

Schaan, 29.03.2024

Dr. Tahar Zrilli
Head of Quality and Process Management
Business Area Electric Tools & Accessories

Edward-Louis Przybylowicz
Head of BU Power Tool & Accessories
Business Area Electric Tools & Accessories

UK
CA

en UK Declaration of Conformity

Declaration of conformity

The manufacturer declares, on his sole responsibility, that the product described here complies with the applicable legislation and standards.

The technical documentation is filed here:

Hilti Entwicklungsgesellschaft mbH | Tool Certification | Hiltistrasse 6 | D-86916 Kaufering, Germany

Product information

Breaker	TE 1000-AVR
Generation	02
Serial no.	1-9999999999



Details to Noise Emission in the Environment by Equipment for use Outdoors Regulations 2001:Measured sound power level (L_{WA}): 96 dB(A)Guaranteed sound power level (L_{WAc}): 99 dB(A)

Conformity assessment procedure according to Annex VI

UK Approved Body Nr. 0044: HORIBA MIRA Certification Ltd Watling Street, Nuneaton, Warwickshire CV10 0TU (No 0888)

Manufacturer:**Hilti Corporation**
Feldkircherstraße 100
9494 Schaan | Liechtenstein**TE 1000-AVR (02)**Supply of Machinery (Safety) Regulations
2008Electromagnetic Compatibility Regulations
2016The Restriction of the Use of Certain
Hazardous Substances in Electrical and
Electronic Equipment Regulations 2012Noise Emission in the Environment by
Equipment for use Outdoors Regulations 2001**UK Importer:****Hilti (Gt. Britain) Limited**
No. 1 Circle Square, 3 Symphony Park
Manchester, England, M1 7FS

EN IEC 62841-2-6:2020/A11:2020

EN IEC 55014-2:2021

EN 61000-3-3:2013, A1:2019, A2:2021,
A2:2021/AC:2022

Schaan, 29.03.2024

Dr. Tahar ZrilliHead of Quality and Process Management
Business Area Electric Tools & Accessories**Edward-Louis Przybyłowicz**Head of BU Power Tool & Accessories
Business Area Electric Tools & Accessories









Hilti Corporation
LI-9494 Schaan
Tel.:+423 234 21 11
Fax:+423 234 29 65
www.hilti.group



2190682