



2446932-03.2025

25

Hilti AG

LI-9494 Schaan

Hilti Werke

2873-CPR-201-72

ETA-20/0867

Notified body 2873

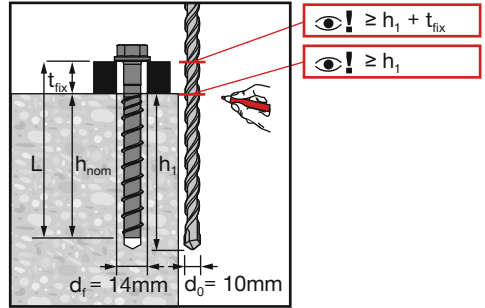
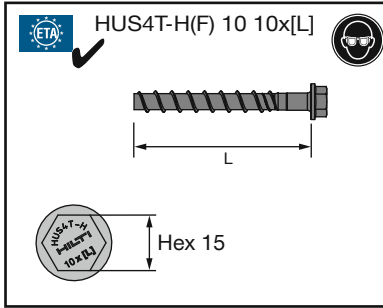
EAD 330232-01-0601

Product for fixing to- or

connecting/supporting

of building structures

www.hilti.group



		h_{nom} [mm]
		≥ 55

SIW 6AT-A22 1/2", SIW 4AT-22 1/2"	
SIW 6-22 1/2", SIW 6AT-22 1/2"	
SIW 22T-A 1/2", SIW 22T-A 3/4"	
SIW 9-A22 3/4"	
SIW 8-22 1/2"	
SF 4-22, SF 6-22	

	$h_1 = h_{nom} + 30 \text{ mm}$	2a
	$h_1 = h_{nom} + 10 \text{ mm}$	2b

A

1

2a

h_1

2b

h_1

3

4 optional

4a

max. 10 mm

max. 2x

4b

max. 10 mm

h_{nom}

		h_{nom} [mm]
		< 75
		≥ 75

5

