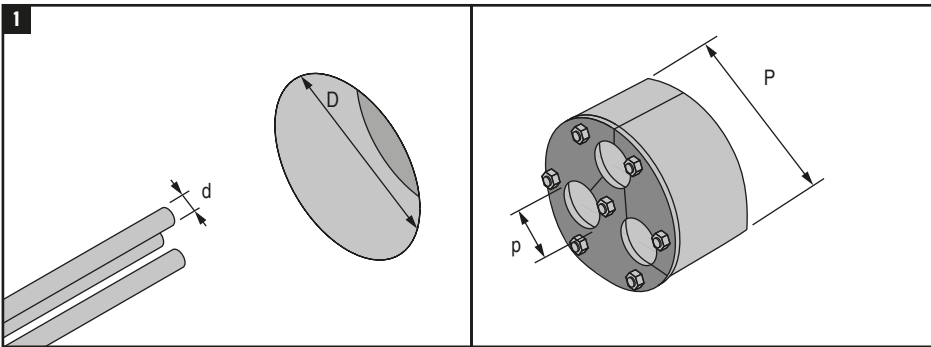


[www.hilti.com](http://www.hilti.com)  
[www.hilti.ca](http://www.hilti.ca)  
[www.hilti.group](http://www.hilti.group)

**en** Before handling and for specific application details, refer to Hilti product literature, 3rd party published listings and national approvals. For professional use only.  
**fr** Avant toute utilisation et pour tout détail concernant une application, se référer à la documentation Hilti, à la liste de publications des tierces parties et aux approbations nationales. Seulement pour utilisateurs professionnels.  
**es** Antes de usar y para detalles específicos de aplicación, véase la información que acompaña al producto Hilti, el listado publicado por terceros y las aprobaciones nacionales. Solamente para los usuarios profesionales.  
**ru** Перед началом работы, а также для получения информации о конкретной области применения см. документацию Hilti, опубликованные данные сторонних компаний и сертификаты, предоставляемые государственными органами. Только для использования в промышленных условиях.  
**cn** 操作之前以及有关特殊应用细节, 请参阅Hilti产品资料、第三方发布编目和国家认证。仅用于工业用途  
**ar** قبل الاستعمال وللحصول على تفاصيل محددة عن الاستخدام, يرجى الرجوع لكتيب منتجات هيلتي, وقوائم أسعار الطرف الثالث المنشورة, والمواصفات الدولية. للاستخدام الصناعي فقط.

## Instructions for use

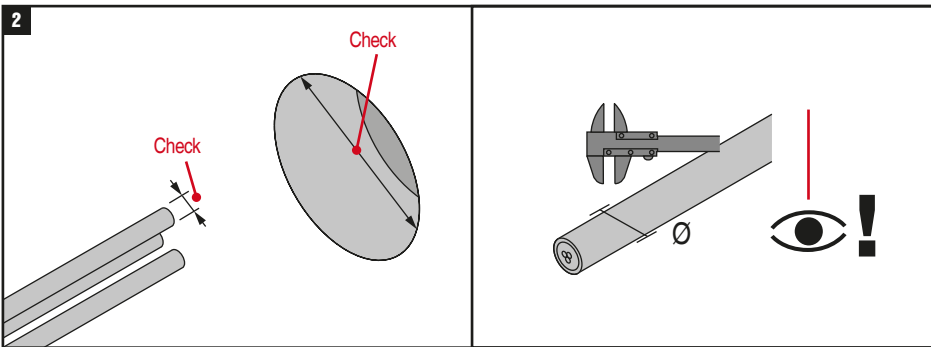


Inner diameter of core drill hole / wall sleeve (D)

Outer diameter of cable (d)

Outer diameter of plug seal **RR-VARIO** (P)

Plug seal opening diameter (p)

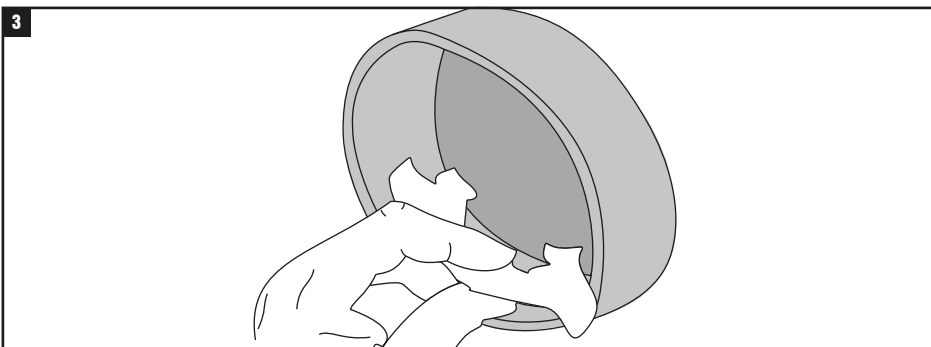


Prior to installing the round plug seal **RR-VARIO**, the inner diameter of the core drill hole/ wall sleeve (D) and the cable (d) diameter must be checked.

Check the outer diameter of the plug seal **RR-VARIO** (P) and the diameter of the plug seal **RR-VARIO** opening(s) (p)

(D) = inner diameter of the core drill hole/ wall sleeve as specified by the customer

(d) = outer diameter of the cable/ pipe as specified by the customer



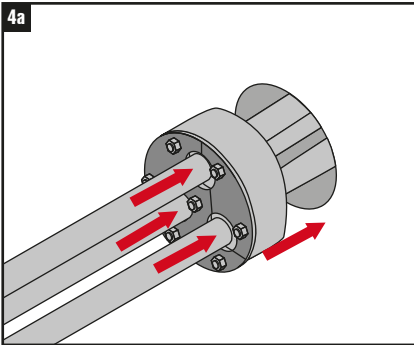
The inside of the opening must be **clean and free from dust, grease and debris.**

Cables must be **clean and unsoiled.**

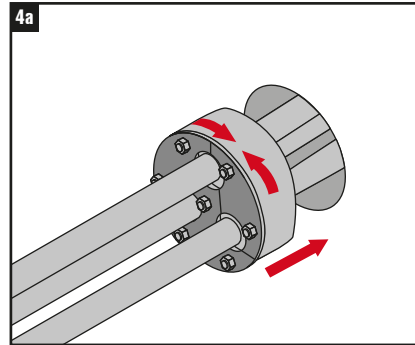
**Note:** The Hilti instructions for use and the safety data sheet must be read before installation. The approval must be observed. For professional use only.  
**Achtung:** Die Hilti Montageanleitung und das Sicherheitsdatenblatt vor dem Einbau lesen! Zulassungsbestimmungen beachten! Nur für den gewerblichen Anwender.  
**Attention:** Veuillez lire les instructions d'emploi et la fiche technique Hilti avant l'utilisation. L'agrément devra être respecté. Uniquement pour l'utilisateur professionnel.  
**Attenzione:** Prima dell'uso leggere le istruzioni d'installazione Hilti e la scheda con i dati relativi alla sicurezza. L'omologazione il prodotto deve essere osservata.  
**Let op:** Lees vóór gebruik de Hilti-montagehandleiding en het veiligheidsinformatieblad. De goedkeuring moet worden nageleefd. Alleen bestemd voor de industriële gebruiker!  
**Atención:** antes de utilizar el producto lea las instrucciones Hilti de uso y su Hoja de Datos de Seguridad. Observar la homologación del producto. Producto exclusivamente para uso profesional.  
**Atenção:** Leia cuidadosamente o manual de instruções e a ficha técnica Hilti, antes da utilização. A aprovação deve ser consultada e obedecida. Apenas para o utilizador profissional!  
**Προσοχή:** Δοξάστε τις οδηγίες τοποθέτησης της Hilti και το φύλλο δεδομένων ασφαλείας πριν την εφαρμογή. Οι προδιαγραφές πρέπει να τηρούνται. Μόνο για βιομηχανική χρήση.

**Obs:** Les Hiltis montagevejledning og sikkerhedsdatabladet for brug. Godkendelsen skal efterleves. Kun til erhvervsmessig brug!  
**Obs:** Les gjennom Hilti bruksanvisning og sikkerhedsdatablad for bruk. Dokumentasjonen må leses. Kun for næringsmessig bruk!  
**Obs:** Läs Hiltis monteringsanvisning och säkerhetsdatabladet innan användning. Godkännandet måste följas. Endast för yrkesmässigt bruk!  
**Huomio:** Lue ennen käyttöä Hilti-asennusohje ja käyttöturvallisuustiedote. Hyväksyntää tulee noudattaa asennuksessa. Tarkoitettu vain ammattikäyttöön!  
**Uwaga:** Przed użyciem należy przeczytać instrukcję montażu firmy Hilti i Podręcznik Danych Technicznych. Należy przestrzegać wytycznych zawartych w aprobacie.  
**Pozor:** Před použitím si přečtěte montážní návod společnosti Hilti a bezpečnostní list. Musí být dodrženo schválené použití výrobku. Určeno pouze pro profesionální uživatele!  
**Pozor:** Pred použitím si prečítajte návod na montáž od spol. Hilti a list bezpečnostných údajov. Musí byť dodržané schválené použitie výrobku.  
**Figyelem:** Felhasználás előtt el a Hilti összeszerelési útmutatót és biztonsági adattalapot a termék alkalmazása előtt. A tanúsítványt figyelmesen tanulmányozza át. Kizárólag ipari felhasználók részére!

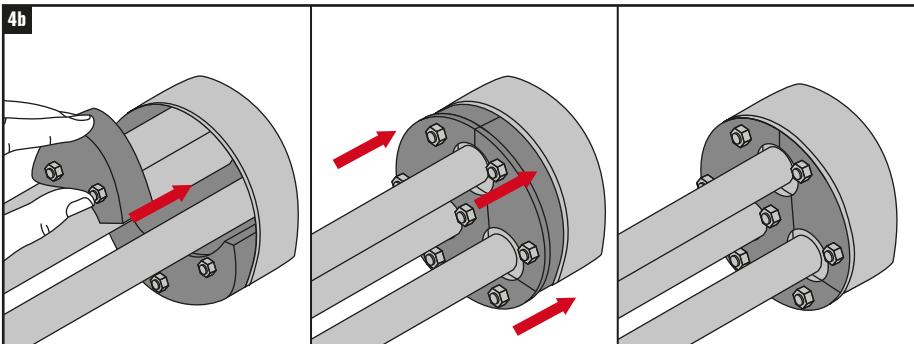
**Pažnja:** Prije upotrebe pročitate Hilti upute za montažu i lelak s podacima o sigurnosti. Potrebno je pridržavati se zakonskih propisa.  
**Pozor:** Pred uporabo preberite navodila za montažo in varnostni list. Upoštevajte tudi tehnično soglasje. Namenjeno profesionalni uporabi.  
**Внимание:** Преди употреба прочетете ръководството за монтаж и информационни лист за безопаечност. Да се съблюдава информацията в разрешителното.  
**Notiz:** Înainte de montare, citiți instrucțiunile de utilizare și fișa de securitate Hilti. Legislația locală trebuie respectată. Exclusiv pentru uz industrial.  
**Pastabos:** Prieš montavimo būlina susipažinti su Hilti pateikiama naudojimo instrukcija ir saugaus darbo taisyklėmis. Montavimo metu būlina jų laikytis. Tik pramoniniam naudojimui.  
**Uzmanību:** Pirms izmantošanas izlasīt Hilti montāžas instrukciju un drošības datu lapu. Ievērojiet tehniskās atļaujas prasības. Tikai rūpnieciskajam izmantošanai!  
**Márkus:** Enne paigaldust tuleb lugeda läbi Hilti kasutusjuhised ja ohutusandmete leht. Tuleb järgida heakskiitu. Mõeldud tööstuslikuks kasutamiseks.  
**注意:** 在安装前必须阅读吉利得使用说明书和安全数据表。必须遵守认证。仅用于工业用途。



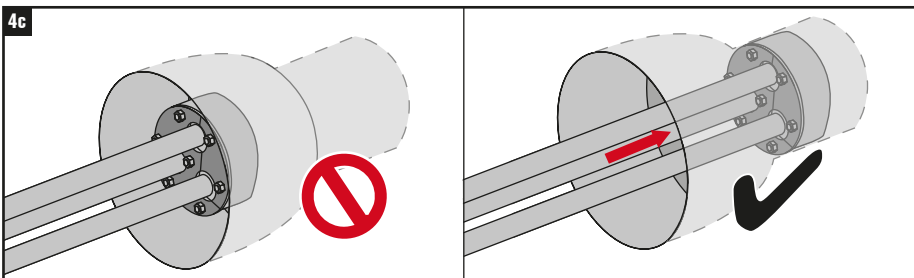
Pass the cable in the holes provided on the plug seal **RR-VARIO** and **push** them together flush with the wall into the opening/ wall sleeve.



In the event of cables which have already been laid, **fold the seal around the cable** and **push it into the core drill/ wall sleeve** until all system is flush to the surface.

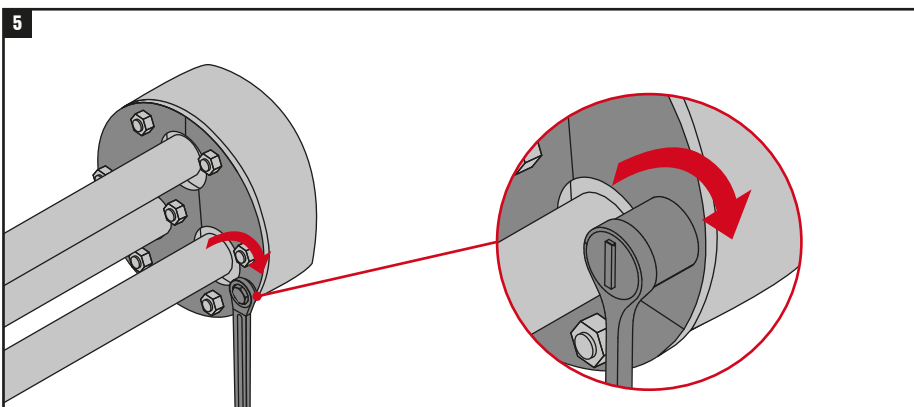


The round plug seal **RR-VARIO** should be installed into the sleeve or opening, do not install into a bell-shape mouth.



**Do not install on Bellmouth.**

Transit should be **installed or pushed into the sleeve.**



Finally, **tighten the screws crosswise** in several stages using a torque wrench until the torque level has been reached (until it is tight)

M5	3 Nm
M6	8 Nm
M5	12 Nm
M6	25 Nm

Final visual control. **NO** gaps between cable and plug, and **NO** gaps between sleeve and plug.



All openings filled.  
All screws in place and tight.

“RR Vario does not assume any support bearing function. RR Vario serves exclusively the pressure-tight, elastic sealing of cables.”

Hilti (Gt. Britain) Ltd., 1 Trafford Wharf Road, Trafford Park, GB-M17 1BY Manchester, Tel.: 0800 886 100, www.hilti.co.uk  
 Hilti Ireland, Unit C4, North City Business Park, Finglas, Dublin 11, Tel.: 1850 287 387, www.hilti.ie  
 Hilti Deutschland AG, Hiltistr. 2, DE-86916 Kaufering, Tel.: 0800 888 55 22, www.hilti.de  
 Hilti Austria Gesellschaft m.b.H., Altmannsdorfer Strasse 165, Postfach 316, AT-1230 Wien, Tel.: 0800 81 81 00, www.hilti.at  
 Hilti (Schweiz) AG, Spodstrasse 61, CH-8134 Adliswil, Tel.: 0844 84 84 85, www.hilti.ch  
 Hilti France, 1 rue Jean Mermoz - Rond Point Mérentais, FR-78778 Magny-les-Hameaux, Tel.: 0 825 01 05 05, www.hilti.fr  
 Hilti Italia S.p.a, Piazza Montanelli 20, IT-20099 Sesto San Giovanni (MI), Tel.: 800 827013, www.hilti.it  
 Hilti Nederland B.V. (Hoofdkantoor), Industriegebied Oudeland, Leeuwenhoekstraat 4 NL-2652 XL Berkel en Rodenris, Tel.: 010 519 1111, www.hilti.nl  
 Hilti Belgium S.A., Z.4 Broekooi 220, BE-1730 Asses, Tel.: 0800 972 72, www.hilti.be  
 Hilti Luxembourg S.A., Rue de l'Industrie 19, LU-8069 Bertrange, Tel.: +352 31 07 05, www.hilti.lu  
 Hilti España S.A., Avda. Fuente de la Mora, 2 Edificio 1, ES-28050 Madrid, Tel.: 902 100 475, www.hilti.es  
 Hilti Portugal, Rua da Lionesa 446, C39 Apartado 4086, PT-4465-671 Leça do Balio, Tel.: 808 200 111, www.hilti.pt  
 Hilti Hellas S.A., L. Kimis 132, GR-151 23 Marousi, Athens, Tel.: 30 210 288 0600, www.hilti.gr  
 Hilti Danmark A/S, Stamholmen 153, 1. sal, DK-2650 Hvidovre, Tel.: 44 88 80 80, www.hilti.dk  
 Motek AS, Østre Aker vei 61, Postboks 81, Økern, NO-0508 Oslo, Tel.: 47 800 81 777, www.motek.no  
 Hilti Slovenska AB, Testvägen 1, SE-232 22 Ärvö, Tel.: 020-555 999, www.hilti.se  
 Hilti (Suomi) Oy, Virkatie 3, FI-01510 Vantaa, Tel.: 0207 999 200, www.hilti.fi  
 Hilti (Poland) Sp. z o.o., ul. Puławska 491, PL-02-844 Warszawa, Tel.: 22 320 5600, www.hilti.pl  
 Hilti CR spol. s r.o., Uhrineveská 734, CZ-252 43 Průhonice, Praha-západ, Tel.: 800 11 55 99, www.hilti.cz  
 Hilti Slovakia spol. s r.o., Galvaniho 7, SK-821 04 Bratislava, Tel.: 0800 11 55 99, www.hilti.sk  
 Hilti (Hungary) Szolgáltató Kft, Bécsi út 271, HU-1037 Budapest, Tel.: 06 80 44 58 44, www.hilti.hu  
 Hilti Croatia d.o.o., Ljudevita Posavskogog 29, HR-10380 Sesvete, Tel.: 385 1 2030 777, www.hilti.hr  
 Hilti Slovenija d.o.o., Brodišče 18, Industrijsko obrtna cona, SLO-1236-Trzin, Tel.: 080 25 22, www.hilti.si  
 Hilti Bulgaria Ltd, Mladost 4 Business park, Building 11A, 4th floor, BG-1766 Sofia, Tel.: 0800 12398, www.hilti.bg  
 Hilti Romania S.R.L., Equest Logistic Center, Bucuresti-Pitesti Km 13, Com. Dragomiresti Vale, Str. DE 287/1, RO-077096 Jud. Ilfov, Tel.: 40 21 352 3000, www.hilti.ro

UAB Hilti Complete Systems, Verkių 29, k.22, LT-09108 Vilnius, Tel.: +370 5 2300555, www.hilti.lt  
 Hilti Services Limited SIA, Mūkusalas iela 41 E, Rīga, LV-1004, Tel.: +371 6260080, www.hilti.lv  
 Hilti Eesti OÜ, Mustamäe tee 46, Tallinn 10621, Tel.: +372 6260080, www.hilti.ee  
 Hilti Insaat Matzemeleri T.A.S., Yukarı Dudulu Mahallesi, Tavukçu Yolu Caddesi, Sehîr Sokak, No. 24 Form Plaza, TR- 34775 Ümranyesi/İstanbul, Tel.: +90216 5286800, www.hilti.com.tr  
 Hilti (China) Ltd., Yongqing Road, South Zhanjiang Development Zone, Guangdong Province, PRC-524022 Zhanjiang, Tel.: +86 759 3379, www.hilti.com/china  
 Hilti (Hong Kong) Ltd., 701-704, 7/F, Tower A, Manulife Financial Centre, 223 Wai Yip Street, Kwun Tong HK, Kowloon, Tel.: +852 27734 700, www.hilti.com.hk  
 Hilti Far East Private Ltd., No 20 Harbour Drive, #06-06/08 PSA Vista, SGP-Singapore 117612, Tel.: +65 6777 7887, www.hilti.com.sg  
 PT. Hilti Nusantara, Gedung 111 GCS, Kawasan Komersial Olandak, Jl. Raya Olandak KKO, Jakarta 12075, Tel.: +62 21 789 0850, www.hilti.com/indonesia  
 Hilti (Thailand) Ltd., No. 1858/107-108, 24th Floor, TCIF Tower, Bangna-Trad Road, Km. 4.5, Bangna, TH-10260 Bangkok, Tel.: 66 2 714 5300 www.hilti.com/thailand  
 Hilti (Philippines) Inc., 2326 Pasong Tamo Extension, RP-Makati City, Tel.: +63 2-7847-100, www.hilti.com/philippines  
 Hilti India Private Limited, F-904, Okhla Industrial Area Phase 1, New Delhi 110 020, Tel.: +9111 4064 6500, www.hilti.in  
 Hilti Qatar W.L.L., No. 980 Al Madaed St. Corner, Wadi Al Arak St. Area 56, P.O.Box 1806, QA- Doha, Tel.: 974 4432 8684, www.hilti.com/qatar  
 Hilti Saudi Arabia for Construction Tools LLC, King Fahd Street, PO Box 15930, 21454 Jeddah, Tel.: +966 2 213 8400, www.hilti.sa/  
 Hilti Emirates L.L.C., Dubai Investment Park, Dubai, Tel.: +971 4 8019694, www.hilti.ae  
 Hilti, Inc., 5400 South 122nd East Ave., US-Tulsa, OK 74146, Tel.: +1 918 254 0522, www.us.hilti.com  
 Hilti Latin America, S.A., 50 and 69 Street, Plaza Guadalupe Building, 2nd Floor, P.O. Box 0832-01356, PA-Ciudad de Panamá, Panamá, Tel.: +507 322 4200, www.hilti.com  
 Hilti Brasil, Av. Ceci, 426, Centro Empresarial, Tamboré Barueri - SP, CEP 06460 120, Tel.: 0800 14 44 48, www.hilti.com/brazil  
 Hilti Distribution Ltd., 25 Leningradskaya Street, Business Center "Mebe One Khimki Plaza", RU-Khimki, 141400 Russia, Tel.: +7 495 792 52 52, www.hilti.ru  
 Hilti (Korea) Ltd., 11F, SEI Tower, 39, Eonju-ro 30-gil, Gangnam-gu., Seoul 135-856, Korea, Tel.: 80-220-2000, www.hilti.co.kr